

# DIMENSION SHEET

## STEPPED PIN – TYPE B

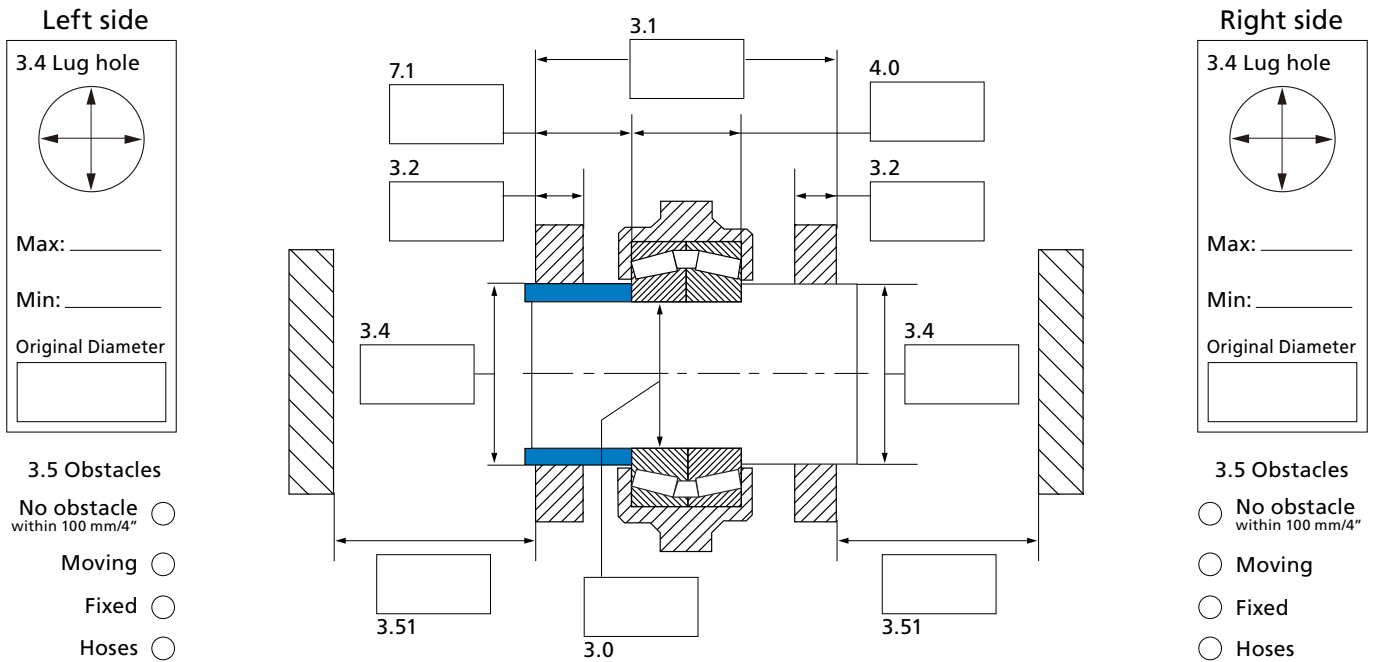


ENGLISH

Company: \_\_\_\_\_ Contact person: \_\_\_\_\_  
 City / State: \_\_\_\_\_ Phone: \_\_\_\_\_  
 Country: \_\_\_\_\_ Fax: \_\_\_\_\_ Email: \_\_\_\_\_  
 Order    Inquiry   Quantity: \_\_\_\_\_ pcs   Measured by: \_\_\_\_\_  
 Machine make & model: \_\_\_\_\_ Machine year: \_\_\_\_\_  
 Machine Serial No: \_\_\_\_\_ Original pin part number: \_\_\_\_\_  
 Pin location on machine: \_\_\_\_\_

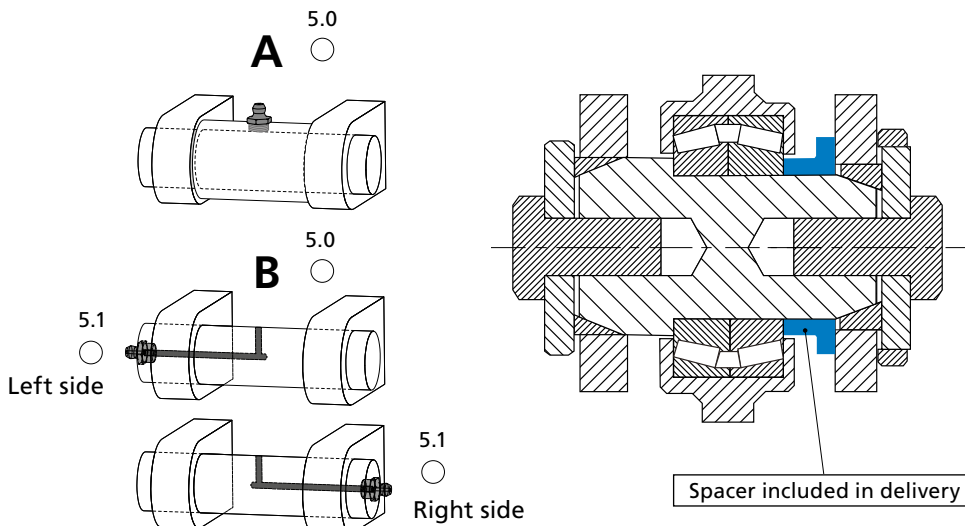
### PIVOT DIMENSION ORIGINAL PIN SOLUTION

Measurements in:    Inches    mm



### GREASING

### EXPANDER SYSTEM SOLUTION



**Any questions? Contact:**  
**Expander System Americas**  
 Phone (toll free): +1 888 935-3884  
**Expander System Sweden**  
 Phone: +46 (0)120-299 00

[www.expandersystem.com](http://www.expandersystem.com)  
[www.nord-lock.com](http://www.nord-lock.com)

# DIMENSION SHEET

## STEPPED PIN – TYPE B



### PIVOT DIMENSION ORIGINAL PIN SOLUTION

- 3.0 Original pin diameter. The diameter is usually an standard axle diameter. As a service Expander System helps to choose a suitable tolerance for the application.
- 3.1 Measure the distance between the outside edges of the mounting lugs. Measuring accuracy +/- 1 mm (+/- 0,04").
- 3.2 Measure the width of respective mounting lug. Measuring accuracy +/- 1 mm (+/- 0,04").
- 3.4 Fill in the original diameters of the holes of the mounting lugs (bushings removed if applicable). If the holes are more than 1,5 mm (0,06") worn measure the maximum and minimum diameters of the worn holes. Measuring accuracy +/- 0,2 mm (+/- 0,008").
- 3.5 If there are obstacles within 100 mm (4") from the outside of respective mounting lug, indicate type of obstacle (moving, fixed or hoses).
- 3.51 If obstacles indicated in 3.5, measure the distance between respective outside edge of mounting lug and obstacle. Measuring accuracy +/- 1 mm (+/- 0,04").
- 4.0 Measure the width of the connected bearing. Measuring accuracy +/- 0,5 mm (+/- 0,02").
- 7.1 Measure the distance between outside edge of mounting lug and contact surface of the connected bearing. Measuring accuracy +/- 1 mm (+/- 0,04").

### GREASING

- 5.0 Indicate the grease distribution of the pivot. A=external greasing, B=greasing through pin (one outlet centred between the inner edges of the lugs).
- 5.1 If B, indicate from which side the pivot is greased.



Press this icon to **CLEAR** the pivot dimension sheet.



Press this icon to **PRINT** the pivot dimension sheet.



For straight pins, please use the dimension sheet for straight pins.