



MARUTI SUZUKI ARENA

WAGONR | *Space* *for life*



6 AIRBAGS
STANDARD



DRIVE SMART. CHOOSE GREEN.



**SPORTY
FLOATING ROOF DESIGN**

Accentuates the style quotient.



**DYNAMIC
ALLOY WHEELS**

Complements the stylish looks of your WagonR.



**SMARTPLAY STUDIO WITH
SMARTPHONE NAVIGATION AND 4 SPEAKERS**

Take your in-car entertainment a notch higher.

MAGMA GREY
with Black Roof



GALLANT RED
with Black Roof

**STYLISH
DUAL TONE EXTERIOR**

An ultra-modern Dual Tone Exterior that adds personality to your drive with bold and eye-catching design.



**STEERING MOUNTED
CONTROLS**

Experience ease of accessing music and calls with one touch.

**ROBUST DESIGN LANGUAGE
WITH A WIDE STANCE**

Adds character and style to your drive.



STRONG ON LOOKS

Drive in style and lead the way with bold new looks crafted to match the modern times.

**AUTO GEAR SHIFT
TECHNOLOGY**

For a smooth and easy driving experience.



STRONG ON TECHNOLOGY

Elevate your driving experience with sleek new technology that makes interiors smooth and comfortable.

INTERIORS

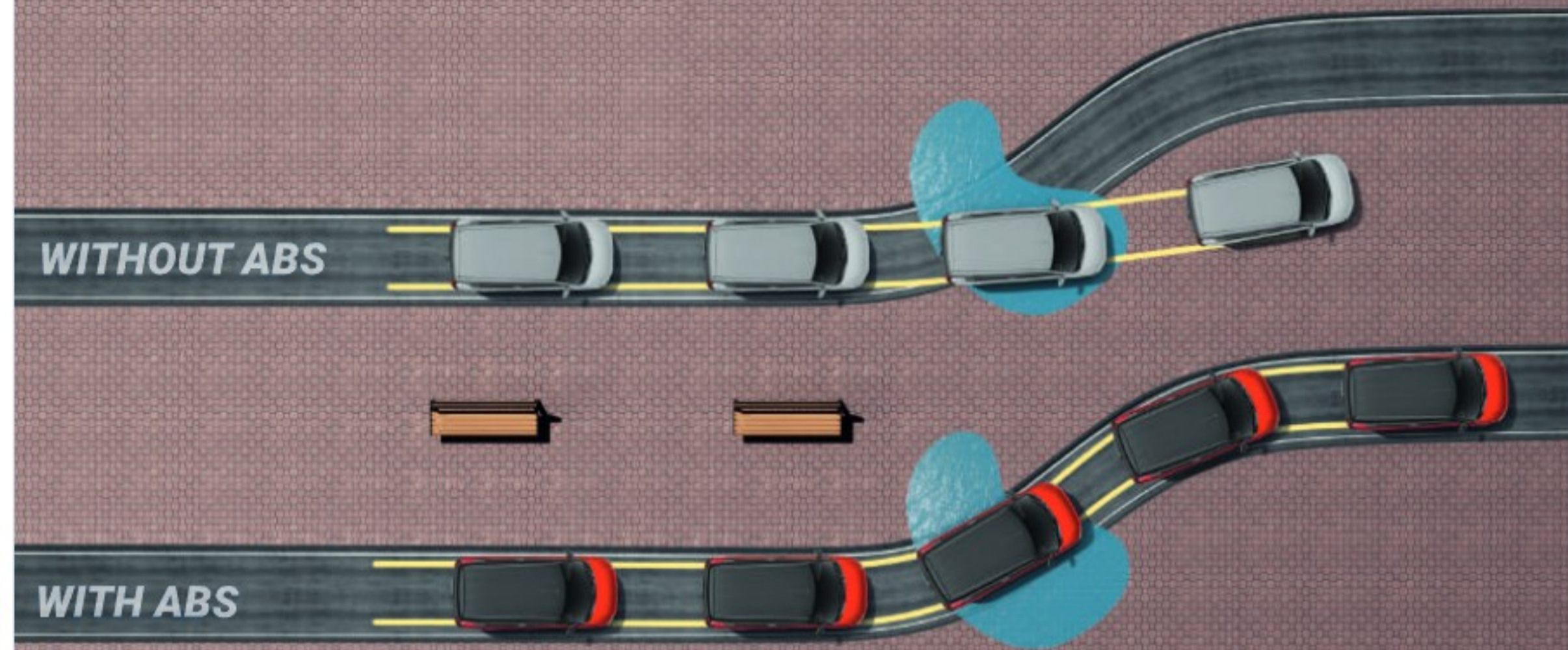


SIX AIR BAGS

Keeps you safe from impact.

ABS WITH EBD

So you are always in control of your drives.



WITHOUT ABS

WITH ABS

STRONG ON SAFETY with 12+ Safety Features



HILL HOLD ASSIST

Keeps car stable even on slopes.

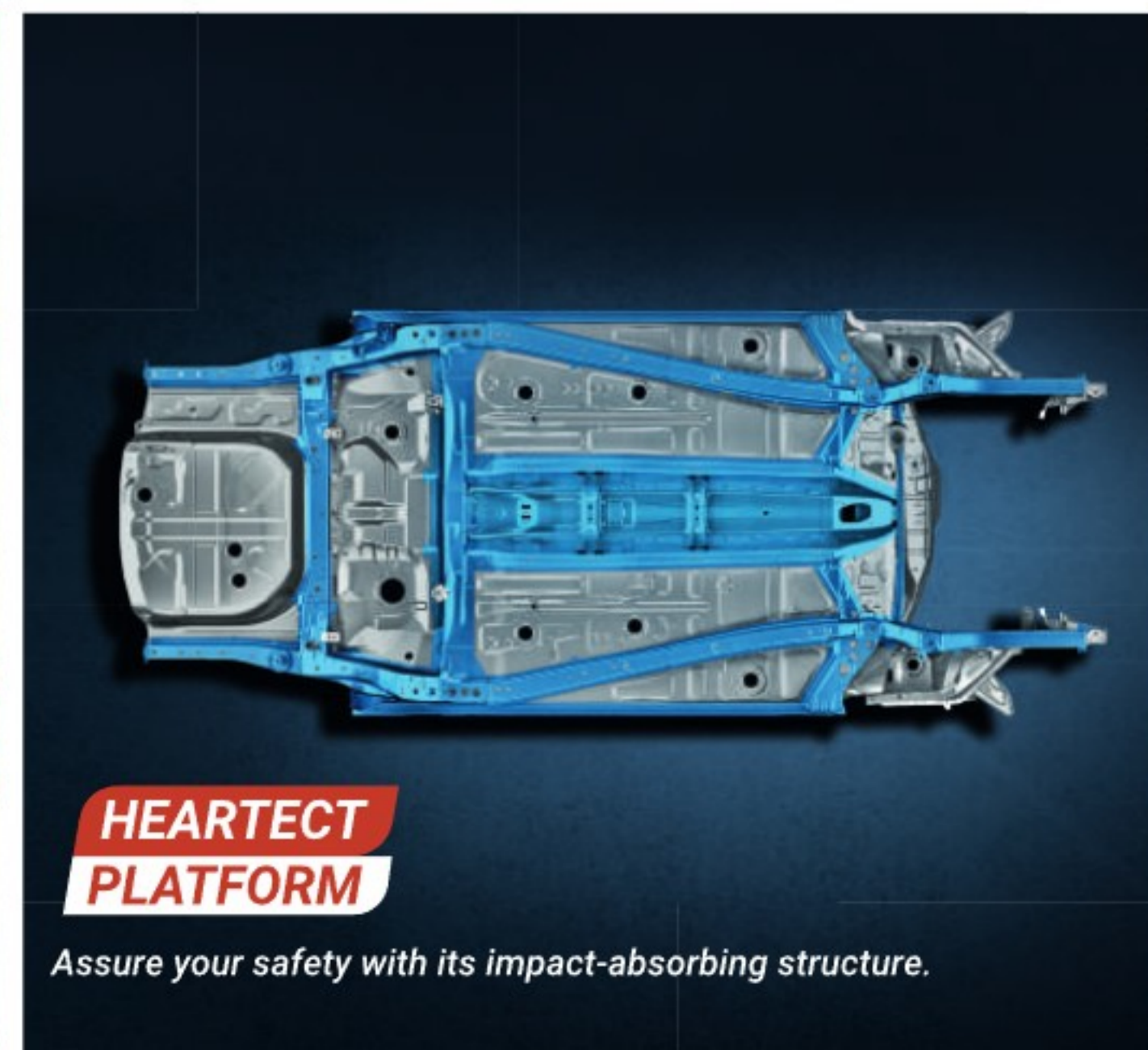


WITHOUT ESP

WITH ESP

ELECTRONIC STABILITY PROGRAM

Keeps car stable even on slopes. Intelligently maintains grip while cornering.



HEARTECT PLATFORM

Assure your safety with its impact-absorbing structure.

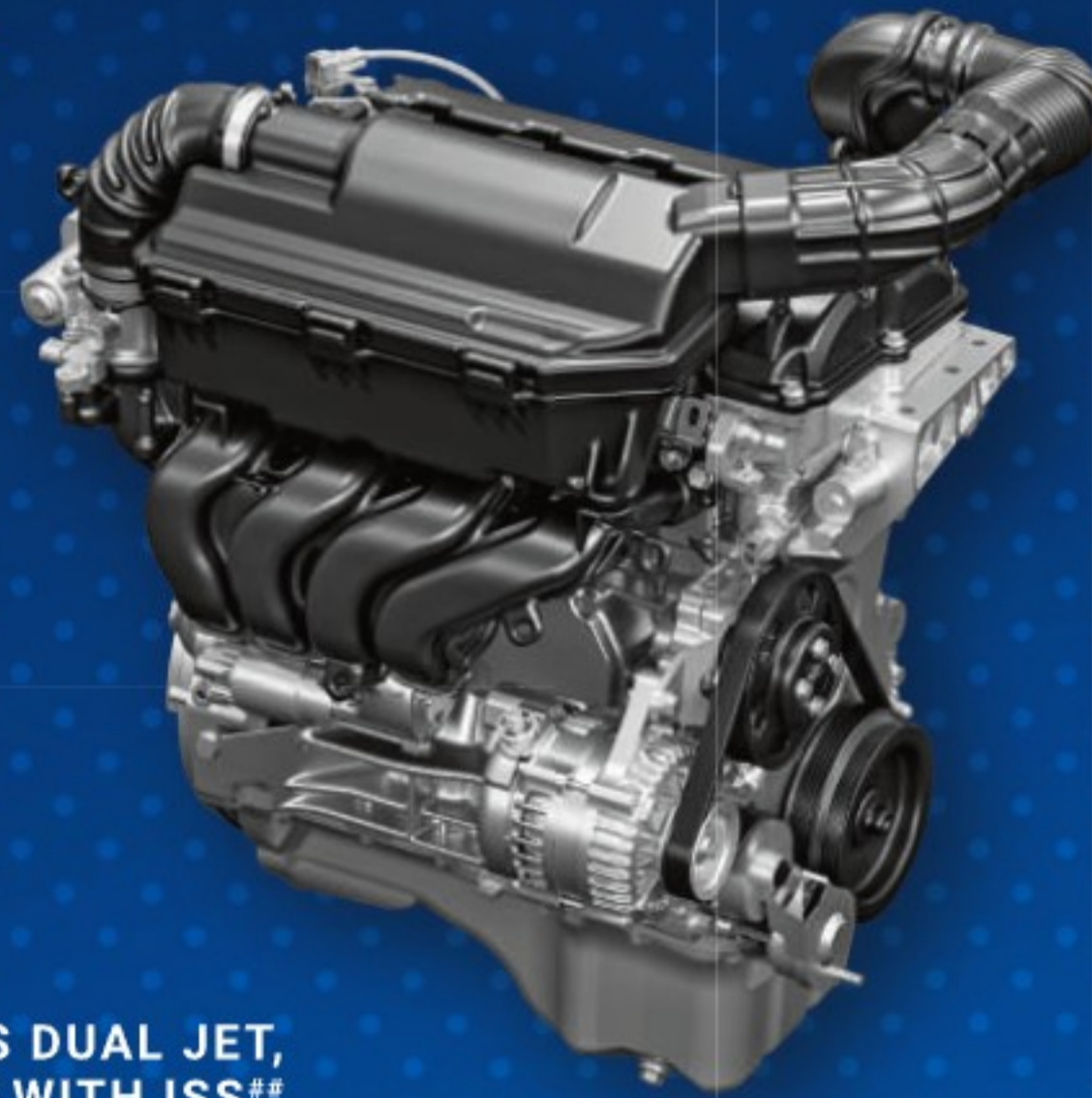
**ADVANCED K-SERIES ENGINES WITH
IDLE START-STOP (ISS)****

For improved Engine efficiency & a truly powerful drive.

ALSO AVAILABLE IN ...



DRIVE SMART. CHOOSE GREEN.



24.43[#] km/l FOR PETROL VARIANT*

1.2 L ADVANCED K-SERIES DUAL JET,
DUAL VVT ENGINE WITH ISS**



Keeps car stable even on slopes.

25.19[#] km/l FOR PETROL VARIANT*

33.47[#] km/kg FOR CNG VARIANT*

1.0 L NEXT-GEN K-SERIES DUAL JET,
DUAL VVT ENGINE WITH ISS**

STRONG ON PERFORMANCE

A drive that's powerful enough to keep up with the world.

***Only applicable for K10C Engine

**For Petrol variants *For 1.0L VXI AGS Variant

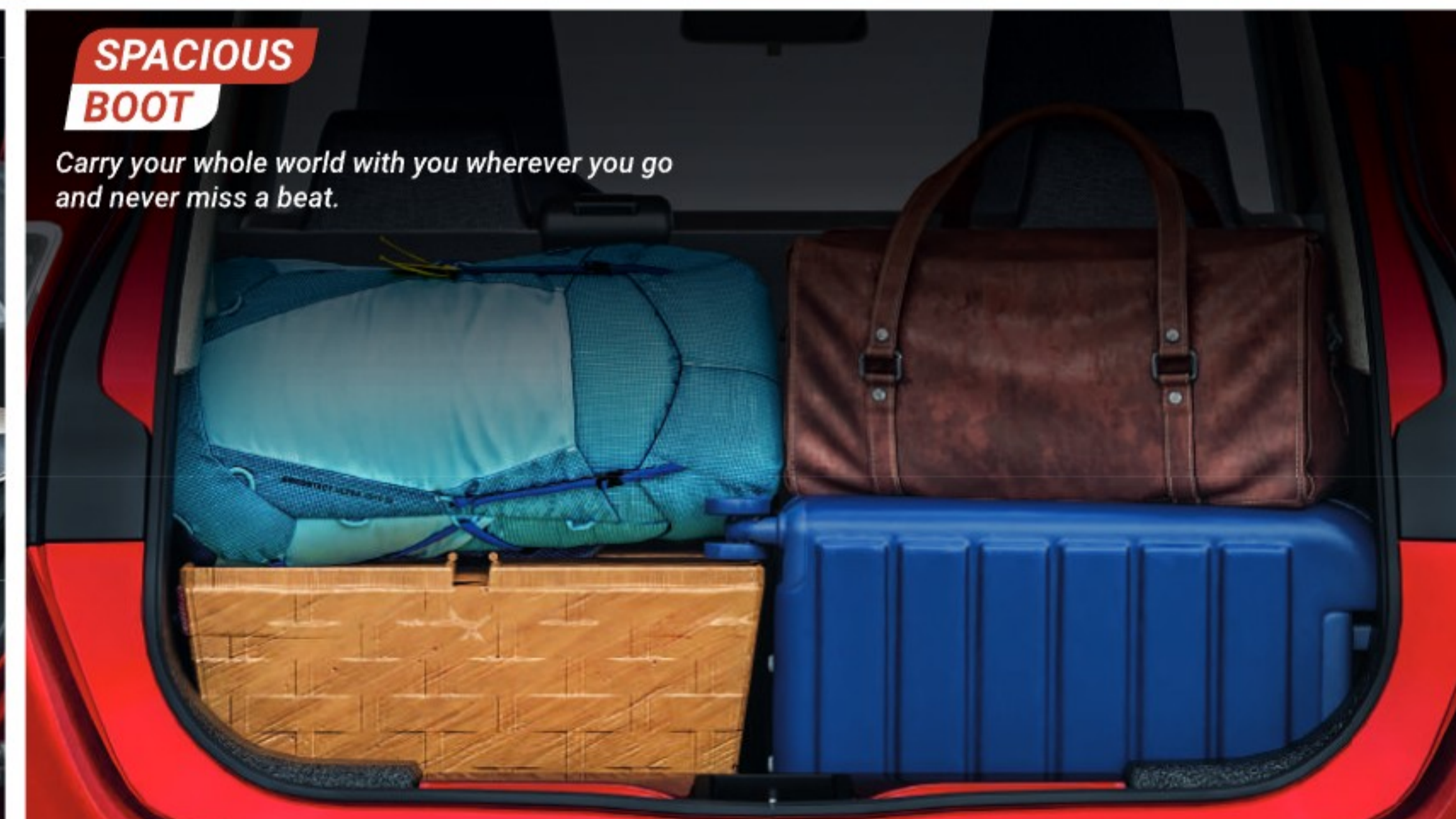
*As certified by Test Agency Under Rule 115 (G) of Central Motor Vehicles Rules 1989.

*Terms and Conditions apply.



**SPACIOUS
BOOT**

Carry your whole world with you wherever you go
and never miss a beat.



STRONG ON COMFORT

Comfort takes a front seat with enhanced dual-tone interiors, a spacious cabin and boot.

**SPACIOUS
CABIN**

Where comfort meets looks. Elevate the riding experience for your entire family.

FEATURES & SPECIFICATIONS	VARIANTS			
	1.0L		1.2L	
	LXi / LXi CNG	VXi / VXi AGS / VXi CNG	ZXi / ZXi AGS	ZXi+ / ZXi+ AGS
INTERIORS				
Dual Tone Interiors	✓	✓	✓	✓
2 nd Row 60:40 Split Seat	-	✓	✓	✓
Front Cabin Lamps (3 Positions)	✓	✓	✓	✓
Day/Night IRVM	-	✓	✓	✓
Tilt Steering	-	✓	✓	✓
Steering Wheel Garnish	-	✓	✓	✓
Silver Inside Door Handles	-	✓	✓	✓
Driver Side Sunvisor with Ticket Holder	✓	✓	✓	✓
Front Passenger Side Vanity Mirror Sunvisor	-	✓	✓	✓
Silver Finish Gear Shift Knob (AGS Only)	-	✓	✓	✓
INSTRUMENT CLUSTER				
Instrument Cluster Meter Theme	Reddish Amber	Reddish Amber	Reddish Amber	White
Low Fuel Warning	✓	✓	✓	✓
Tachometer	-	-	-	✓
Gear Shift Indicator (MT Only)	✓	✓	✓	✓
Gear Position Indicator (AGS Only)	-	✓	✓	✓
Fuel Consumption (Instantaneous and Avg.)	✓	✓	✓	✓
Distance to Empty	✓	✓	✓	✓
Headlamp On Warning	✓	✓	✓	✓
Door Ajar Warning Lamp	✓	✓	✓	✓
COMFORT & CONVENIENCE				
Idle Start Stop (ISS)	✓ (Petrol)	✓ (Petrol)	✓	✓
Remote Keyless Entry	-	✓	✓	✓
Accessory Socket Front Row with Storage Space	✓	✓	✓	✓
Power Windows (Fr/Rr) with Dr. Side Auto Down Function	Only Front	✓	✓	✓
AC & Heater	✓	✓	✓	✓
1L Bottle Holders (All Four Doors + Floor Console)	✓	✓	✓	✓
Rear Parcel Tray	CNG Only	✓	✓	✓
Co-Driver Side Front Seat Under Tray & Rear Back Pocket	-	-	-	✓
Reclining & Front Sliding Seats	✓	✓	✓	✓

FEATURES & SPECIFICATIONS	VARIANTS			
	1.0L		1.2L	
	LXi / LXi CNG	VXi / VXi AGS / VXi CNG	ZXi / ZXi AGS	ZXi+ / ZXi+ AGS
INFOTAINMENT SYSTEM				
17.78 cm Smartplay Studio with Smartphone Navigation	-	-	-	✓
Smartplay Dock	-	✓	✓	-
Apple CarPlay and Android Auto	-	-	-	✓
Bluetooth	-	✓	✓	✓
Number of Speakers	-	2	2	4
USB CONNECTIVITY/AUX	-	✓	✓	✓
Steering Mounted Audio Control	-	-	✓	✓
Steering Mounted Voice Control	-	-	-	✓
SAFETY & SECURITY				
Side and Curtain Airbags**	✓	✓	✓	✓
Dual Front Airbags (Driver and Co-driver)*	✓	✓	✓	✓
ABS with EBD	✓	✓	✓	✓
Electronic Stability Program (ESP)	✓	✓	✓	✓
Seat Belt Pre-tensioner & Force Limiters (Dr.+Co-Dr.)	✓	✓	✓	✓
Seat Belt Reminder with Buzzer (Front & Rear Seat)	✓	✓	✓	✓
3-Point seat belts for all Seats	✓	✓	✓	✓
Speed Alert System**	✓	✓	✓	✓
Speed Sensitive Auto Door Lock	-	✓	✓	✓
Security Alarm	-	✓	✓	✓
Rear Parking Sensors	✓	✓	✓	✓
Central Locking	✓	✓	✓	✓
Child Proof Rear Door Lock	✓	✓	✓	✓
Front Fog Lamps	-	-	-	✓
Hill Hold Assist	-	AGS	AGS	AGS
EXTERIORS				
Roof Antenna	✓	✓	✓	✓
Full Wheel Cover	Center Cap	✓	✓	-
Alloy Wheels	-	-	-	✓
ORVM with Turn Indicators	-	-	-	✓
Electrical Adjustable ORVM	-	✓	✓	✓
Electrical Retractable ORVM	-	-	-	✓
Rear Wiper & Washer	-	-	-	✓
B-Pillar Black Out Tape	-	-	✓	✓
Body Coloured Door Handles	-	✓	✓	✓
Body Coloured Bumpers	✓	✓	✓	✓
Body Coloured ORVMs	-	✓	✓	✓ (Black in dual tone)
Dual Tone Exteriors	-	-	-	✓ (Optional)

FEATURES & SPECIFICATIONS	PETROL & CNG								
	1.0L		1.2L						
	LXi, LXi CNG, VXi, VXi AGS, VXi CNG		ZXi, ZXi AGS, ZXi+, ZXi+ AGS						
DIMENSIONS									
Length (mm)	3655								
Width (mm)	1620								
Height (mm)	1675								
Wheelbase (mm)	2435								
Turning Radius (m)	4.7								
ENGINE & TRANSMISSION									
Type	K10C		K12N						
Capacity (cc)	998		1197						
Number of cylinders	3		4						
Maximum engine output (kW @ rpm)	Petrol	50.4 kW (68.5 PS) @ 5600 rpm		66.9 kW (90.9 PS) @ 6000 rpm					
	CNG	41.7 kW (56.6 PS) @ 5300 rpm (CNG mode) 49.8 kW (67.7 PS) @ 5600 rpm (Petrol mode)		-					
Maximum torque (Nm @ rpm)	Petrol	91.1 Nm @ 3400 rpm (Petrol mode)		113.7 Nm @ 4200 rpm					
	CNG	82.1 Nm @ 3400 rpm (CNG mode) 91.1 Nm @ 3400 rpm (Petrol mode)		-					
Transmission	MT (LXi 1.0L / LXi CNG 1.0L / VXi CNG 1.0L/ VXi 1.0 L) / AGS (VXi 1.0 L)		MT/AGS (ZXi 1.2L/ ZXi+ 1.2L)						
SUSPENSION									
Front	MacPherson Strut with Coil Spring								
Rear	Torsion Beam with Coil Spring								
CAPACITIES									
Seating Capacity	5								
Fuel Tank Capacity (L)	32 (Petrol) / 60 (Water equivalent)		32 (Petrol)						
Boot Space (Litres)	335 ^A (Petrol)								
WHEELS & TYRES									
Size	155/80R13 (LXi 1.0L/ LXi CNG 1.0L), 165/70R14 (VXi 1.0L, VXi 1.0L CNG)		165/70R14 (ZXi 1.2L, ZXi+ 1.2L)						
Type**	Radial & Tubeless, Steel Wheels		Radial & Tubeless, Steel Wheels (ZXi 1.2L) Radial & Tubeless, Alloy Wheels (ZXi+ 1.2L)						
BRAKES									
Front	Disc								
Rear	Drum								
WEIGHT									
Gross Vehicle Weight (kg)	1340								
Kerb Weight (kg)	LXi MT	VXi MT	VXi AGS	ZXi MT	ZXi AGS	ZXi+ MT	ZXi+ AGS	LXi CNG MT	VXi CNG MT
	826	840	846	860	866	866	860	926	936

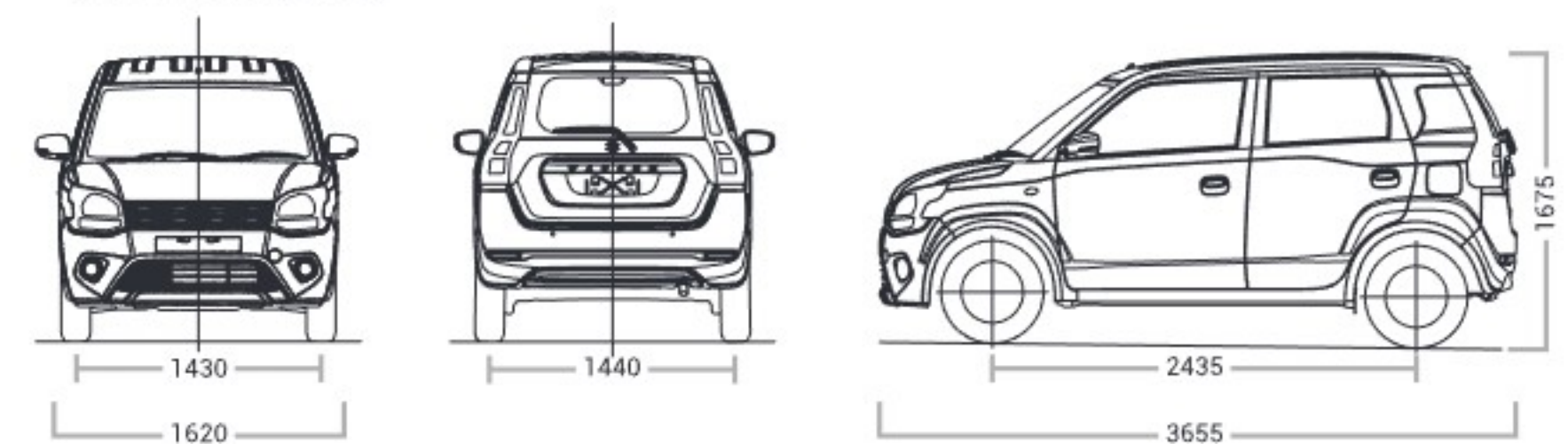
Colour specifications



Drive with a mileage of:

WagonR Petrol 1L	WagonR CNG 1L	WagonR Petrol 1.2L
24.35 [‡] km/l	33.47 [‡] km/kg	23.56 [‡] km/l
MT	MT	AGS
AGS		

**Dimensions (in mm)



All variants are BS VI (including OBD-II) compliant. *As certified by Test Agency Under Rule 115 (G) of Central Motor Vehicles Rules 1989. ***Pearl Bluish black colour available in all the variant except LXI MT Petrol and CNG.

****Colours available in LXI MT petrol: Solid White, Metallic Silky Silver, Metallic Magma Grey.

AGS: Auto Gear Shift; MT: Manual Transmission.

Maruti Suzuki India Limited reserves the right to change, without notice, price, colours, equipment specifications, and models and also to discontinue models and/or replace any part or accessory with any product. Accessory and feature shown in the pictures may not be a part of standard equipment and will differ according to the variant. Any offers made will be subject to availability of the product. For details, on functioning of safety features, including air bag, kindly refer to the Owner's Manual. For more details, contact your nearest store. **Spare wheel material is steel (for all variants). *VDA Method.

*Android Auto™ extends the Android platform into the car in a way that's purpose-built for driving. It is designed to minimise distraction so you can focus on driving with Google™ services like Google Maps™ and Google Search™. Get the Android Auto app on Google Play™. *Android Auto is available in the countries listed at the following link:

<https://www.android.com/auto/#hit-the-road>. **Most phones with Android 5.0+ work with Android Auto: <https://support.google.com/androidauto/#6140477>. *Android, Android Auto, Google, Google Play and other marks are trademarks of Google Inc. Image used are for illustration purposes only. **The speed alert system gives audible warning for alert of over-speed to driver. When vehicle speed exceeds about 80 km/h, primary level warning with two beeps will sound every minute. When the vehicle speed exceeds about 120 km/h, secondary level warning with continuous beeps will sound. If the vehicle speed is slowed down to about 118 km/h, primary warning will resume. If the vehicle is slowed down to about 78 km/h, speed alert warning will stop. This buzzer does not indicate any malfunction in vehicle. **For details on functioning of safety features, including air bag, kindly refer to the Owner's Manual. **Terms and Conditions apply.



MARUTI SUZUKI ARENA

For more details, contact Toll Free No: [1800 102 1800](tel:18001021800), [1800 1800 180](tel:18001800180)

Maruti Suzuki India Limited, reserves the right to change without notice, prices, colours, equipments specifications, variants and also to discontinue models. Accessories and features shown in the pictures may not be part of standard equipment, and will differ according to the variant. For variant-specific features, refer to the equipment list. Colours shown may vary from actual body colours due to printing on paper. Images used are for illustration purposes.

MARUTI SUZUKI INDIA LTD., Plot No. 1, Nelson Mandela Road, Vasant Kunj, New Delhi 110070, Tel. 011-46781000.