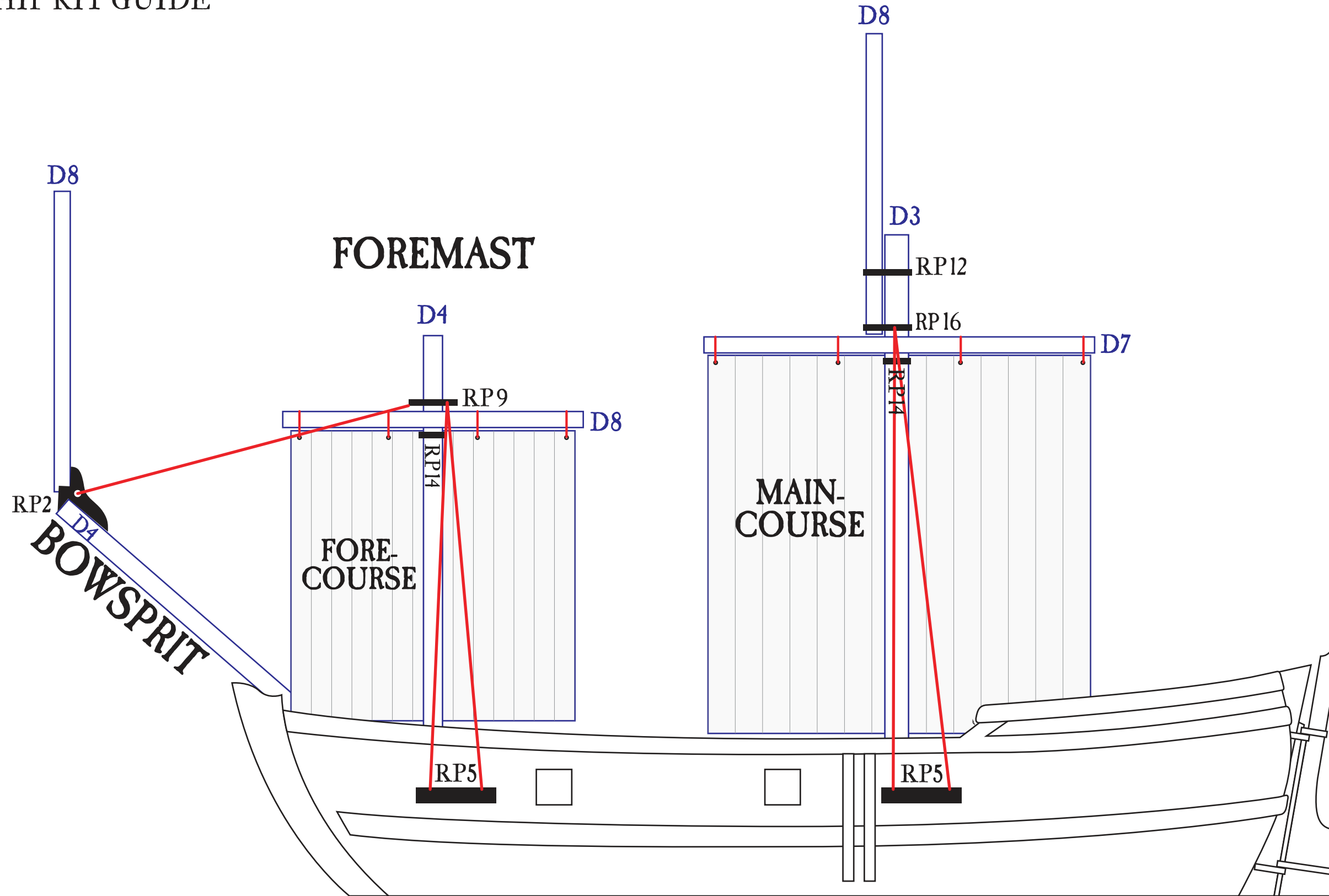


# BARK

SHIP KIT GUIDE

## MAINMAST



### RIGGING PARTS QTY.

Part Image	Part Code	Quantity
	RP2	1
	RP5	4
	RP9	1
	RP16	1
	RP12	1
	RP14	2

— STRING    ■ RIGGING PART    □ DOWEL PART

**1**

**D3**

○ 0.24 in



6 in

**2**

**D4**

○ 0.19 in



5 in

**1**

**D7**

○ 0.16 in



4 in

**3**

**D8**

○ 0.16 in



3 in