

Corrosion Inspection Sheet
D-MAX (RG06) Single Cab



PLEASE NOTE: Copy to be attached to Job Card

Job Card No. Date: Model:

Customer Name: Km.: VIN :

Service Consultant name: Technician name:

Bodywork Inspection

Vehicle OK

Yes No

Vehicle Repaired

Yes No

Accident / Bodywork damage repaired to factory standard

Yes No

Comments _____

DEALER'S STAMP

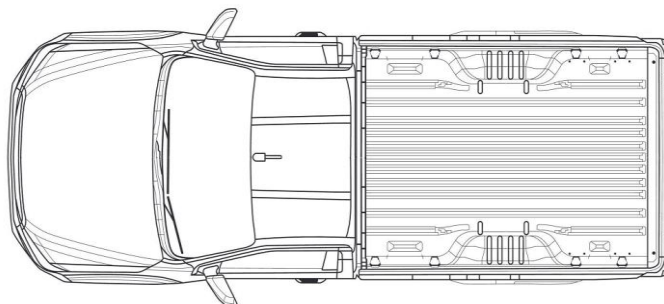
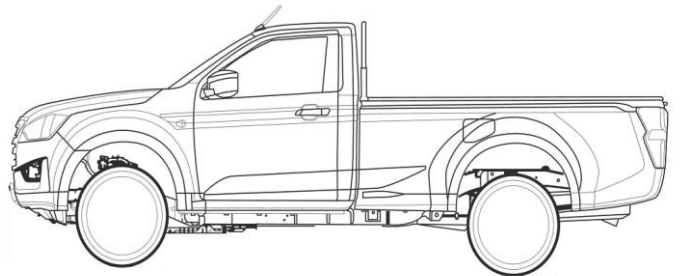
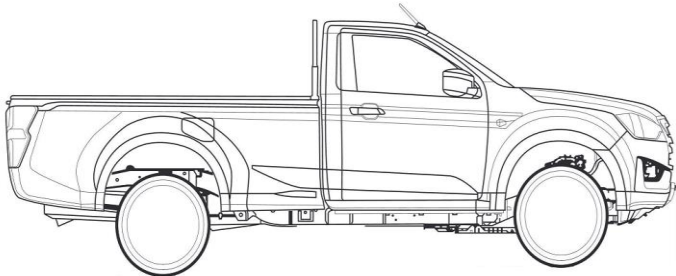
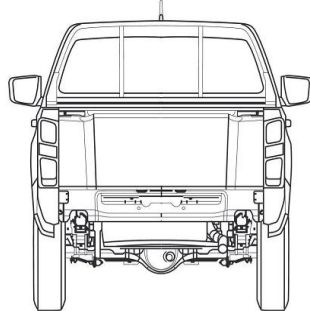
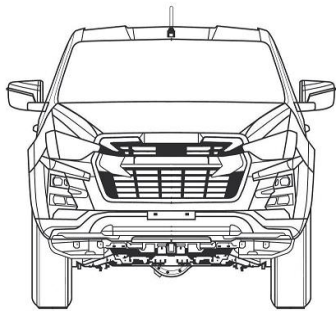
AND

SIGNATURE

MARK TEST RESULTS USING RELEVANT SYMBOL

- STONE THROW
- DENT / BUMP
- BODYWORK DAMAGE
- + SCRATCH
- # PAINTWORK DAMAGE
- ▶ SEAL UNDERBODY

THE DIAGRAM IS REPRESENTATIVE OF ALL MODEL SERIES



PLEASE NOTE: Copy to be attached to Job Card

Job Card No. Date: Model:
 Customer Name: Km.: VIN :
 Service Consultant name: Technician name:

Bodywork Inspection

Vehicle OK

Yes No

Vehicle Repaired

Yes No

Accident / Bodywork damage
 repaired to factory standard

Yes No

Comments _____

DEALER'S STAMP

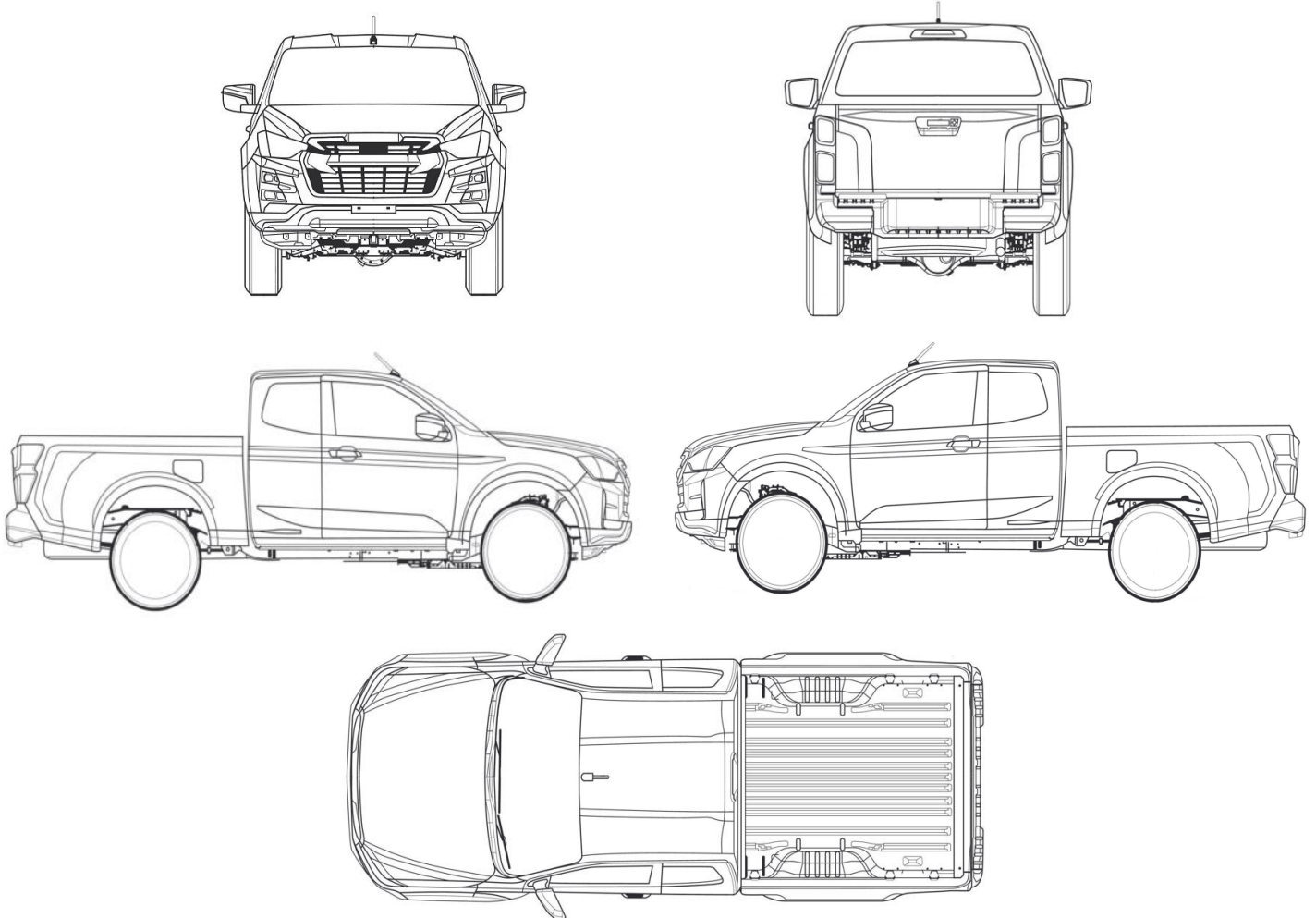
AND

SIGNATURE

MARK TEST RESULTS USING RELEVANT SYMBOL

- STONE THROW
- DENT / BUMP
- BODYWORK DAMAGE
- + SCRATCH
- # PAINTWORK DAMAGE
- ▶ SEAL UNDERBODY

THE DIAGRAM IS REPRESENTATIVE OF ALL MODEL SERIES



Corrosion Inspection Sheet
D-MAX (RG06) Double Cab



PLEASE NOTE: Copy to be attached to Job Card

Job Card No. Date: Model:

Customer Name: Km.: VIN :

Service Consultant name: Technician name:

Bodywork Inspection

Vehicle OK

Yes No

Vehicle Repaired

Yes No

Accident / Bodywork damage repaired to factory standard

Yes No

Comments _____

DEALER'S STAMP

AND

SIGNATURE

MARK TEST RESULTS USING RELEVANT SYMBOL

- STONE THROW
- DENT / BUMP
- BODYWORK DAMAGE
- + SCRATCH
- # PAINTWORK DAMAGE
- ▶ SEAL UNDERBODY

THE DIAGRAM IS REPRESENTATIVE OF ALL MODEL SERIES

