

dinkey

Medium sized spotlight
with built-in dimmer



Low weight fixture of die-cast aluminum

Easy to use

Timeless design

Dinkey is a discreet LED-spotlight that's uncomplicated and easy to use. The tool-free removable housing made this luminaire very innovative when it first came out.

The housing is well shielded in order to prevent glare, and is casted in aluminum, which allows for a very low weight at only 120 grams, much lighter than spotlights similar in size.

Dinkey is widely used inside larger display cases in museums. It's also the perfect fixture for smaller art galleries, cafes, and home environments.

Dinkey is available for the following lighting systems:



Mini Trac (12V DC)

- Fixture has built-in 0–100% dimmer
- No external dimming possible
- Easy to install



Pico Trac (12V DC)

- Fixture has built-in 0–100% dimmer
- No external dimming possible
- Easy to install



LED Profile (Constant current)

- Dimming from the wall switch or app
- Uses external LED driver functions e.g. Casambi, DMX or DALI
- Installation using connector cables





Interchangeable lenses

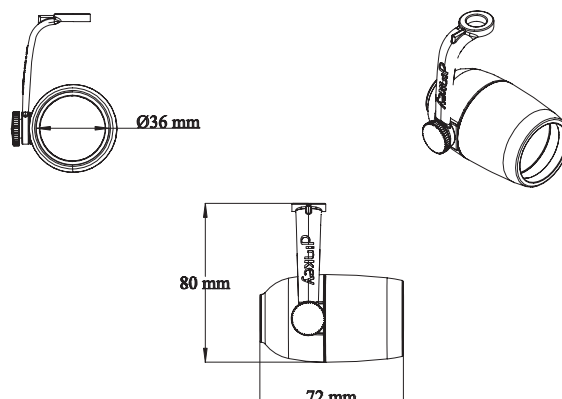
TECHNICAL SPECIFICATION

Material	Lamp housing made of die-cast aluminum, Yoke and details made of steel, Lens made of PC
Finish	Grey (RAL 9006) Black (RAL 9005) White (RAL 9016)
System	Mini Trac Pico Trac LED Profile
Protection class	IP20
Power consumption	4W/6W
Beam angle	Interchangeable lenses
Color temperatures	2700K, 3000K, 4000K
Swivels	>365°
Tilts	>90°
Weight	120 g
Features	Toolless pan, Tilt lock
Optional accessories	Honey comb 37 mm

LIGHT DATA

LED lumen	260 lm
Luminaire lumen	160 lm
CRI	90
Red component R9	>60
MacAdam	3-step ellipse (SDCM 3)
TM30-18 Rf	95
TM30-18 Rg	100

* Data from 3000K, 4W



SPOTLIGHTS DINKEY



DINKEY / MINI TRAC

Built-in local dimmer (0–100%)
Fits Mini Trac

2700K	DIN27-MT-*	Dinkey 12V DC/4W MiniTrac 2700K	250lm, CRI 90, Lens N, dimmer
3000K	DIN30-MT-*	Dinkey 12V DC/4W MiniTrac 3000K	260lm, CRI 90, Lens N, dimmer
4000K	DIN40-MT-*	Dinkey 12V DC/4W MiniTrac 4000K	300lm, CRI 80, Lens N, dimmer

* 1: Grey 2: Black 3: White



DINKEY / PICO TRAC

Built-in local dimmer (0–100%)
Fits Pico Trac

2700K	DIN27-PT-*	Dinkey 12V DC/4W PicoTrac 2700K	250lm, CRI 90, Lens N, dimmer
3000K	DIN30-PT-*	Dinkey 12V DC/4W PicoTrac 3000K	260lm, CRI 90, Lens N, dimmer
4000K	DIN40-PT-*	Dinkey 12V DC/4W PicoTrac 4000K	300lm, CRI 80, Lens N, dimmer

* 1: Grey 2: Black 3: White



DINKEY / CCL

For LED Profile
Operated by external LED driver

2700K	DIN27-CCL-*	Dinkey CC/1050mA LED Profile 2700K	250lm, CRI 90, Vf=3V, 1050mA, Lens N
3000K	DIN30-CCL-*	Dinkey CC/1050mA LED Profile 3000K	260lm, CRI 90, Vf=3V, 1050mA, Lens N
4000K	DIN40-CCL-*	Dinkey CC/1050mA LED Profile 4000K	300lm, CRI 80, Vf=3V, 1050mA, Lens N
2700K	DIN27B-CCL-*	Dinkey CC/500mA LED-profile 2700K	420lm, CRI 90, Vf=12V, 500mA, lens N
3000K	DIN30B-CCL-*	Dinkey CC/500mA LED-profile 3000K	450lm, CRI 90, Vf=12V, 500mA, lens N
3000K	DIN30D-CCL-*	Dinkey CC/1000mA LED-profile 3000K	450lm, CRI 90, Vf=6V, 1000mA, lens N

* 1: Grey 2: Black 3: White





DINKEY / CC SOLO

No driver / adapter included
Operated by external LED driver

Dinkey CC 250 lm Solo

2700K	DIN27-CCS-*	Dinkey CC/1050mA Solo 2700K	250lm, CRI 90, Vf=3V, lens N, 1m cable
3000K	DIN30-CCS-*	Dinkey CC/1050mA Solo 3000K	260lm, CRI 90, Vf=3V, lens N, 1m cable
4000K	DIN40-CCS-*	Dinkey CC/1050mA Solo 4000K	300lm, CRI 80, Vf=3V, lens N, 1m cable
2700K	DIN27B-CCS-*	Dinkey CC/500mA Solo 2700K	420lm, CRI 90, Vf=12V, 500mA, lens N, 1m cable
3000K	DIN30B-CCS-*	Dinkey CC/500mA Solo 3000K	450lm, CRI 90, Vf=12V, 500mA, lens N, 1m cable
3000K	DIN30D-CCS-*	Dinkey CC/1000mA Solo 3000K	450lm, CRI 90, Vf=6V, 1000mA, lens N, 1m cable

* 1: Grey 2: Black 3: White



DINKEY / 12V DC SOLO

Built-in local dimmer (0–100%)

2700K	DIN27-LVS-*	Dinkey 12V DC/4W Solo 2700K	250lm, CRI 90, Lens N, 1m cable, dimmer
3000K	DIN30-LVS-*	Dinkey 12V DC/4W Solo 3000K	260lm, CRI 90, Lens N, 1m cable, dimmer
4000K	DIN40-LVS-*	Dinkey 12V DC/4W Solo 4000K	300lm, CRI 80, Lens N, 1m cable, dimmer

* 1: Grey 2: Black 3: White



DINKEY 450LM

A more powerful version of Dinkey, beam angles differ from the standard version.

No driver included.

Operated by external LED driver

2700K	DIN27B-CCL-*	Dinkey CC/500mA LED-profile 2700K	420lm, CRI 90, Vf=12V, 500mA, lens N
3000K	DIN30B-CCL-*	Dinkey CC/500mA LED-profile 3000K	450lm, CRI 90, Vf=12V, 500mA, lens N
3000K	DIN30D-CCL-*	Dinkey CC/1000mA LED-profile 3000K	450lm, CRI 90, Vf=6V, 1000mA, lens N

* 1: Grey 2: Black 3: White



DINKEY ACCESSORIES

For Dinkey fixtures

DIN-HCL	Honey comb for Dinkey	37 mm black
DIN-L-VN	Dinkey/Arty Accent lins, Very Narrow	Plain Tight, ca 12°
DIN-L-N	Dinkey/Arty Accent lins, Narrow	Frosted Narrow (Standard Lens), ca 14°
DIN-L-M	Dinkey/Arty Accent lins, Medium	Frosted Medium, ca 22°
DIN-L-W	Dinkey/Arty Accent lins, Wide	Frosted Wide, ca 28°

gizmo

Designed to discretely illuminate objects in museum display cases



Tool-less interchangeable lenses

Available in many variations

Gizmo is a mini spotlight with excellent color rendition.

Gizmo has been a proud servant in museums all over Scandinavia for well over 10 years, and, during that time has been continuously improved in order to meet lighting designers expectations of a high-quality fixture.

Gizmo is available for the following lighting systems:



Pico Trac (12V DC)

- Fixture has built-in 0–100% dimmer
- No external dimming possible
- Easy to install



LED Profile (Constant current)

- Dimming from the wall switch or app
- Uses external LED driver functions e.g. Casambi, DMX or DALI
- Installation using connector cables



Interchangeable lenses

TECHNICAL SPECIFICATION

Material	Lamp housing made of aluminum, Yoke and details made of steel, Lens made of polycarbonate
Finish	Grey (RAL 7040) Black (RAL 9005) White (RAL 9016) Brass Stainless steel
System	Pico Trac LED Profile
Protection class	IP20
Power consumption	2,1W/3W
Beam angle	Interchangeable lenses
Color temperatures	2200K, 2700K, 3000K, 4000K
Swivels	>365°
Tilts	>90°
Weight	50 g
Features	Toolless pan, Tilt lock
Optional accessories	Snoot, Magnet, Ceiling cup

LIGHT DATA

LED lumen	190 lm
Luminaire lumen	147 lm (Narrow)
CRI	90
Red component R9	>60
MacAdam	3-step ellipse (SDCM 3)
TM30-18 Rf	92
TM30-18 Rg	104

* Data from 3000K

