

SPOTLIGHTS
GADGET L

gadget L

Track spotlight with
interchangeable lenses



Discreet design, fits everywhere

Best possible color rendering and consistency

Comes in three different beam angles

Gadget L is a discreet track spotlight.

It features a streamlined design that fits in just about anywhere, and is a great choice for situations where quiet and unobtrusive light is needed.

The narrow light beams make Gadget L very suitable for churches and other environments with high ceilings.

Gadget L is available for the following lighting systems:

Analog

Analog
(3-phase tracks, 220-240V AC)

- * Fixture has built-in 0-100% dimmer
- * No external dimming possible

CASAMBI

Casambi
(3-phase tracks, 220-240V AC)

- * Dimming via Casambi app or associated products

DMX

DMX via Lumenradio
(3-phase tracks, 220-240V AC)

- * Dimming via Lumenradio CRMX
- * Fixture has built-in 0-100% dimmer

DALI

DALI
(Global Trac Pulse, 220-240V AC)

- * Dimming via DALI 1-100%



Ljusdesign

info@ljusdesign.se • +46 (0)26 66 15 00 • www.ljusdesign.se



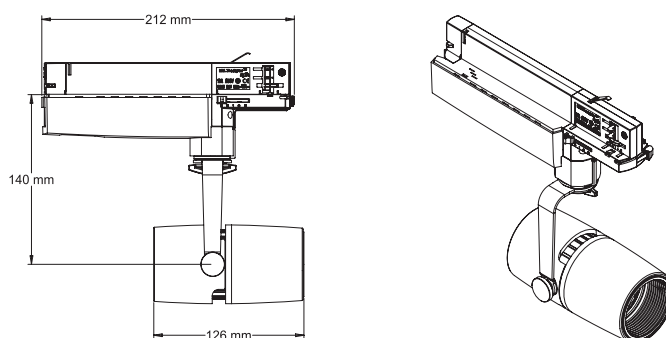
TECHNICAL SPECIFICATION

Material	Lamp housing made of aluminium, Adapter housing made of PBT/PC 10 GF, Lens made of Acrylic
Finish	Grey (RAL 7040) Black (RAL 9005) White (RAL 9016) Custom coating upon request
System	3-phase circuit track
Protection class	IP20
Operating voltage	230V~ 50/60Hz
Power consumption	24W
Beam angle	Interchangeable lenses
Color temperatures	2700K, 3000K, 4000K
Swivels	>365°
Tilts	>90°
Weight	740 g (with adapter)
Features	Phase selector, Toolless pan, Tilt lock

LIGHT DATA

LED Lumen	1910 lm
Luminaire Lumen	927 lm (Narrow)
CRI	95 (Typical 98 CRI)
Red component R9	>80
MacAdam	2-step ellipse (SDCM 2)
TM30-18 Rf	93
TM30-18 Rg	100

* Data from 3000K



SPOTLIGHTS
GADGET L



GADGET L ANALOG

Built-in local dimmer (0-100%)
Slim profile adapter

2700K	GADL27-AL-*	Gadget L 230V/24W 2700K	1800lm, CRI 98, SDCM 2, lins N, 3-phase multi, dimmer
3000K	GADL30-AL-*	Gadget L 230V/24W 3000K	1910lm, CRI 98, SDCM 2, lins N, 3-phase multi, dimmer
4000K	GADL40-AL-*	Gadget L 230V/24W 4000K	1990lm, CRI 98, SDCM 2, lins N, 3-phase multi, dimmer

* 1: Grey 2: Black 3: White



CASAMBI

GADGET L CASAMBI

Fixture is configured using the Casambi app
Fits most known 3-phase tracks

2700K	GADL27-AHC-*	Gadget L 230V/25W DALI 2700K	1800lm, CRI 98, SDCM 2, lens N, 3-phase multi adapter
3000K	GADL30-AHC-*	Gadget L 230V/25W DALI 3000K	1910lm, CRI 98, SDCM 2, lens N, 3-phase multi adapter
4000K	GADL40-AHC-*	Gadget L 230V/25W DALI 4000K	1990lm, CRI 98, SDCM 2, lens N, 3-phase multi adapter

* 1: Grey 2: Black 3: White



GADGET L DMX

Wireless DMX via Lumenradio CRMX
Configuration via built-in display
Fits standard 3-phase track
Local dimmer (0-100%)

lumenradio
Connectivity for a Better World

2700K	GADL27-AHX-*	Gadget L 230V/25W DMX 2700K	1800lm, CRI 98, SDCM 2, lens N, 3-phase multi, wireless DMX
3000K	GADL30-AHX-*	Gadget L 230V/25W DMX 3000K	1910lm, CRI 98, SDCM 2, lens N, 3-phase multi, wireless DMX
4000K	GADL40-AHX-*	Gadget L 230V/25W DMX 4000K	1990lm, CRI 98, SDCM 2, lens N, 3-phase multi, wireless DMX

* 1: Grey 2: Black 3: White



DALI

GADGET L DALI

DALI (Dimming 1-100%).
Equipped with a DALI driver for Global Trac PULSE track

2700K	GADL27-AHD-*	Gadget L 230V/25W DALI 2700K	1800lm, CRI 98, SDCM 2, lens N, 3-phase, DALI / PULSE
3000K	GADL30-AHD-*	Gadget L 230V/25W DALI 3000K	1910lm, CRI 98, SDCM 2, lens N, 3-phase, DALI / PULSE
4000K	GADL40-AHD-*	Gadget L 230V/25W DALI 4000K	1990lm, CRI 98, SDCM 2, lens N, 3-phase, DALI / PULSE

* 1: Grey 2: Black 3: White





GADGET L CC SOLO

No driver / adapter included
Operated by external LED driver

2700K	GADL27-CCS-*	Gadget L CC/600mA Solo 2700K	1800lm, Vf=36V, 600mA, CRI 98, SDCM 2, lens N, 1m cable
3000K	GADL30-CCS-*	Gadget L CC/600mA Solo 3000K	1910lm, Vf=36V, 600mA, CRI 98, SDCM 2, lens N, 1m cable
4000K	GADL40-CCS-*	Gadget L CC/600mA Solo 4000K	1990lm, Vf=36V, 600mA, CRI 98, SDCM 2, lens N, 1m cable

* 1: Grey 2: Black 3: White

GADGET L LENSES

Lenses for Gadget fixture

GAD-L50-N	Gadget Lens 50mm Narrow (Standard), 12°
GAD-L50-M	Gadget Lens 50mm Medium 20°
GAD-L50-W	Gadget Lens 50mm Wide 30°