

gimmick

Minimal design and well-suited
for display case lighting



Extremely small and easy to use

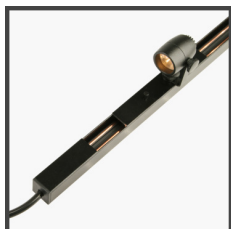
Can be mounted on a pipe

Gimmick is our smallest luminaire, but one that is very capable.

Featuring a minimalistic design, Gimmick makes it possible to get up close to objects without taking the focus away from them.

Gimmick is very subtle when mounted on pipe, e.g. in the bottom of a display case.

Gimmick is available for the following lighting systems:



Pico Trac (12V DC)

- Fixture has built-in 0–100% dimmer
- No external dimming possible
- Easy to install



LED Profile (Constant current)

- Dimming from the wall switch or app
- Uses external LED driver functions e.g. Casambi, DMX or DALI
- Installation using connector cables



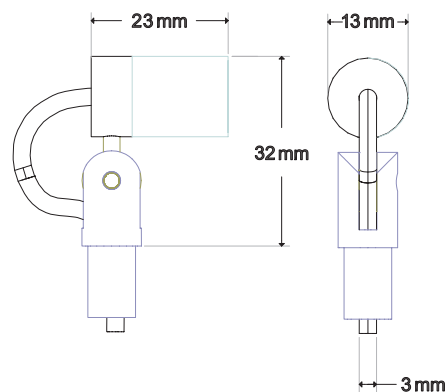
TECHNICAL SPECIFICATION

Material	Lamp housing made of aluminum, Lens made of polycarbonate
Finish	Grey (natural anodized) Black (anodized) Brass
System	Pico Trac LED Profile Pipe mounting
Protection class	IP20
Power consumption	1W/2W
Beam angle	Interchangeable lenses
Color temperatures	2700K, 3000K, 4000K (2200K, 5700K on request)
Swivels	>365°
Tilts	>90°
Weight	30 g
Features	Toolless pan, Tilt lock
Optional accessories	Snoot

LIGHT DATA

LED lumen	100 lm
Luminaire lumen	75 lm
CRI	90
Red component R9	>60
MacAdam	3-step ellipse (SDCM 3)
TM30-18 Rf	93
TM30-18 Rg	103

* Data from 3000K, Wide lens



SPOTLIGHTS GIMMICK



GIMMICK / PICO TRAC

Built-in local dimmer (0–100%)
Fits Pico Trac

2700K	GIM27-PT-*	Gimmick 12V DC/2W PicoTrac 2700K	100lm, CRI 90, lens W, dimmer
3000K	GIM30-PT-*	Gimmick 12V DC/2W PicoTrac 3000K	100lm, CRI 90, lens W, dimmer
4000K	GIM40-PT-*	Gimmick 12V DC/2W PicoTrac 4000K	110lm, CRI 90, lens W, dimmer

* 1: Grey  2: Black 



GIMMICK / CCL

For LED Profile
Operated by external LED driver, max 350 mA / 2W, Vf = 3V

2700K	GIM27-CCL-*	Gimmick CC/350mA LED-profile 2700K	100lm, CRI 90, Vf=3V, lens W
3000K	GIM30-CCL-*	Gimmick CC/350mA LED-profile 3000K	100lm, CRI 90, Vf=3V, lens W
4000K	GIM40-CCL-*	Gimmick CC/350mA LED-profile 4000K	110lm, CRI 90, Vf=3V, lens W

* 1: Grey  2: Black  4: Brass 



GIMMICK / ROD

Installation on 10mm pipes
Operated by external LED driver, max 350 mA / 1W, Vf = 3V
To get a complete unit, you need 1 fixture, 1 foot, 1 rod.

2700K	GIM27-CCR-*	Gimmick CC/350mA Rod 2700K	100lm, CRI 90, Vf=3V, lens W, 1.5m cable
3000K	GIM30-CCR-*	Gimmick CC/350mA Rod 3000K	100lm, CRI 90, Vf=3V, lens W, 1.5m cable
4000K	GIM40-CCR-*	Gimmick CC/350mA Rod 4000K	110lm, CRI 90, Vf=3V, lens W, 1.5m cable

* 1: Grey  2: Black  4: Brass 



GIMMICK ROD ACCESSORIES

Rod is delivered in pre-cut lengths up to 650 mm

GIM-RM-*	Rod 50-650mm	Ø10mm rod
GIM-RF-*	Mounting foot	For 10mm rod, M8

* 1: Grey  2: Black  4: Brass 

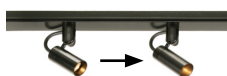




GIMMICK LENSES

Lenses for Gimmick fixture

GIM-L-N	Gimmick Lens N Narrow, 17°
GIM-L-M	Gimmick Lens M Medium, 24°
GIM-L-W	Gimmick Lens W Wide (Standard), 30°
GIM-L-VW	Gimmick Lens VW Very Wide, 70°
GIM-L-E	Gimmick Lens E Elliptic



GIMMICK SNOOT

Extended glare protection for Gimmick
Length is 26 mm

GIM-B26*	Gimmick Snoot
----------	---------------

* 1: Grey  2: Black 