

gizmo

Designed to discretely illuminate objects in museum display cases



Tool-less interchangeable lenses

Available in many variations

Gizmo is a mini spotlight with excellent color rendition.

Gizmo has been a proud servant in museums all over Scandinavia for well over 10 years, and, during that time has been continuously improved in order to meet lighting designers expectations of a high-quality fixture.

Gizmo is available for the following lighting systems:



Pico Trac (12V DC)

- Fixture has built-in 0–100% dimmer
- No external dimming possible
- Easy to install



LED Profile (Constant current)

- Dimming from the wall switch or app
- Uses external LED driver functions e.g. Casambi, DMX or DALI
- Installation using connector cables



Interchangeable lenses

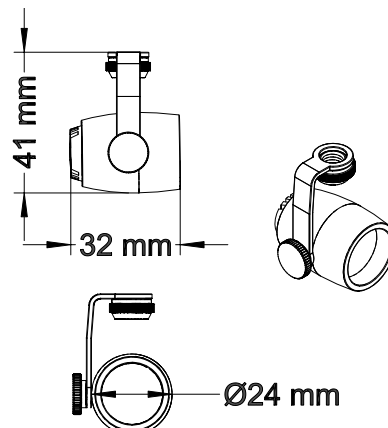
TECHNICAL SPECIFICATION

Material	Lamp housing made of aluminum, Yoke and details made of steel, Lens made of polycarbonate
Finish	Grey (RAL 7040) Black (RAL 9005) White (RAL 9016) Brass
System	Pico Trac LED Profile
Protection class	IP20
Power consumption	2,1W/3W
Beam angle	Interchangeable lenses
Color temperatures	2200K, 2700K, 3000K, 4000K, 5700K
Swivels	>365°
Tilts	>90°
Weight	50 g
Features	Toolless pan, Tilt lock
Optional accessories	Snoot, Magnet, Ceiling cup

LIGHT DATA

LED lumen	190 lm
Luminaire lumen	147 lm (Narrow)
CRI	90
Red component R9	>60
MacAdam	3-step ellipse (SDCM 3)
TM30-18 Rf	92
TM30-18 Rg	104

* Data from 3000K



SPOTLIGHTS GIZMO



GIZMO / PICO TRAC

Built-in local dimmer (0–100%)
Fits Pico Trac

2200K	GIZ22-PT-*	Gizmo 12V DC/3W PicoTrac 2200K	190lm, CRI 80, lins N, dimmer
2700K	GIZ27-PT-*	Gizmo 12V DC/3W PicoTrac 2700K	180lm, CRI 90, lins N, dimmer
3000K	GIZ30-PT-*	Gizmo 12V DC/3W PicoTrac 3000K	190lm, CRI 90, lins N, dimmer
4000K	GIZ40-PT-*	Gizmo 12V DC/3W PicoTrac 4000K	200lm, CRI 90, lins N, dimmer
5700K	GIZ57-PT-*	Gizmo 12V DC/3W PicoTrac 5700K	210lm, CRI 90, lins N, dimmer

* 1: Grey  2: Black  3: White  4: Brass 



GIZMO / CCL

For LED Profile
Operated by external LED driver, max 700 mA / 2,1W, Vf = 3V

2200K	GIZ22-CCL-*	Gizmo CC/700mA LED-profile 2200K	190lm, CRI 80, Vf=3V, lens N
2700K	GIZ27-CCL-*	Gizmo CC/700mA LED-profile 2700K	180lm, CRI 90, Vf=3V, lens N
3000K	GIZ30-CCL-*	Gizmo CC/700mA LED-profile 3000K	190lm, CRI 90, Vf=3V, lens N
4000K	GIZ40-CCL-*	Gizmo CC/700mA LED-profile 4000K	200lm, CRI 90, Vf=3V, lens N
5700K	GIZ57-CCL-*	Gizmo CC/700mA LED-profile 5700K	210lm, CRI 90, Vf=3V, lens N

* 1: Grey  2: Black  3: White  4: Brass 



GIZMO / CCS

No driver / adapter included
Operated by external LED driver, max 700 mA / 2,1W, Vf = 3V

2200K	GIZ22-CCS-*	Gizmo CC/700mA Solo 2200K	190lm, CRI 80, Vf=3V, lins N, 1m cable
2700K	GIZ27-CCS-*	Gizmo CC/700mA Solo 2700K	180lm, CRI 90, Vf=3V, lins N, 1m cable
3000K	GIZ30-CCS-*	Gizmo CC/700mA Solo 3000K	190lm, CRI 90, Vf=3V, lins N, 1m cable
4000K	GIZ40-CCS-*	Gizmo CC/700mA Solo 4000K	200lm, CRI 90, Vf=3V, lins N, 1m cable
5700K	GIZ57-CCS-*	Gizmo CC/700mA Solo 5700K	210lm, CRI 90, Vf=3V, lins N, 1m cable

* 1: Grey  2: Black  3: White  4: Brass 





GIZMO PICO TRAC CASAMBI

Fixture is configured using the Casambi app
Fits Pico Trac

2200K	GIZ22-PTC-*	Gizmo 12V DC/3W PT Casambi 2200K	190lm, CRI 80, lins N, Casambi	NEW
2700K	GIZ27-PTC-*	Gizmo 12V DC/3W PT Casambi 2700K	180lm, CRI 90, lins N, Casambi	NEW
3000K	GIZ30-PTC-*	Gizmo 12V DC/3W PT Casambi 3000K	190lm, CRI 90, lins N, Casambi	NEW
4000K	GIZ40-PTC-*	Gizmo 12V DC/3W PT Casambi 4000K	200lm, CRI 90, lins N, Casambi	NEW
5700K	GIZ57-PTC-*	Gizmo 12V DC/3W PT Casambi 5700K	210lm, CRI 90, lins N, Casambi	NEW

* 1: Grey 2: Black 3: White 4: Brass



GIZMO SNOOT

Extended glare protection for Gizmo fixtures
Length 25 mm

GIZ-B25-*	Gizmo Snoot
-----------	-------------

* 1: Grey 2: Black 3: White 4: Brass



GIZMO NEODYMIUM MAGNET

Magnetic base set for Gizmo
Fits all Gizmo CCS fixtures

GIZ-MF	Neodymium Magnet, screw nut not included	16mm	NEW
GIZ-MF-M	Screw-nut, for Neodymium Magnet	M6MF 8 FZB DIN 6923	NEW



GIZMO LENSES

Lenses for Gizmo fixture

GIZ-L-N	Gizmo Lens N	Narrow (Standard), 13°
GIZ-L-S	Gizmo Lens S	Spot, 15°
GIZ-L-M	Gizmo Lens M	Medium, 20°
GIZ-L-M+	Gizmo Lens M+	Medium Plus, 26°
GIZ-L-W	Gizmo Lens W	Wide, 34°
GIZ-L-VW	Gizmo Lens VW	Very Wide, 55°
GIZ-L-E	Gizmo Lens E	Elliptical, 9x45°
GIZ-L-E+	Gizmo Lens E+	Elliptical Plus, 16x37°