

# LED profiles

Using LED Profiles is a great way of making a fixed lighting installation. Fits a variety of different constant current luminaires.

**LED Profiles** is per se not a lighting track. The luminaires are connected with cables inside the profile. LED drivers with various functions can be used. For example, it is possible to enable light control with DMX, Dali, Bluetooth Casambi etc. It is also possible to route multiple "channels" inside the profiles.

By finishing the installation with the cover, the cables become hidden and an elegant and seamless installation is achieved.



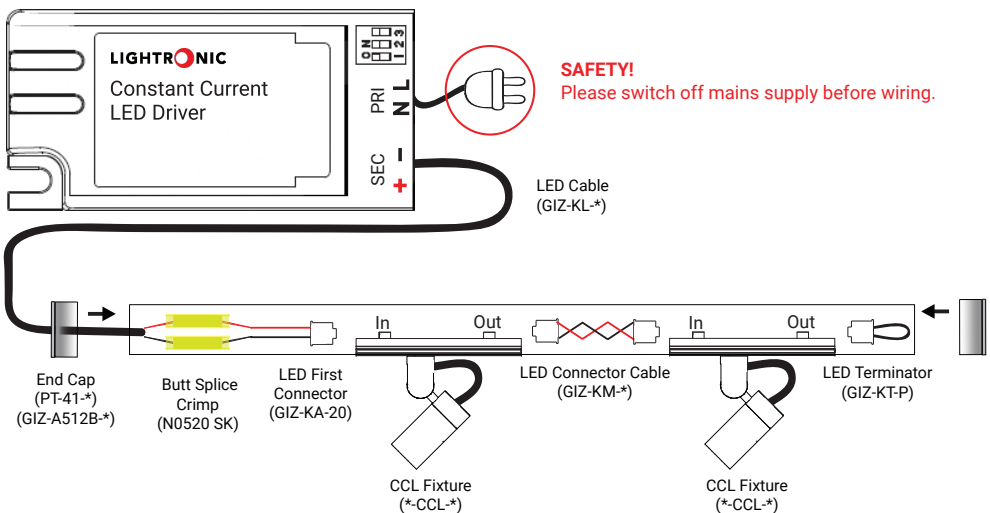
## Safety Instructions

**Location.** IP20. Only for indoor use. Do not install in wet or damp locations.

**WARNING!** Switch off mains supply before connecting or removing fixtures. Set the driver's current limit to be at or below the maximum rated mA for the fixture(s). If the fixtures have different ratings, always use the lowest value.

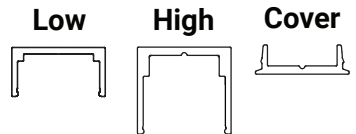
## Electrical installation

Connect one connector cable from the LED Driver to the first fixture input. Input and output are marked on the circuit board on the luminaire.



## Technical

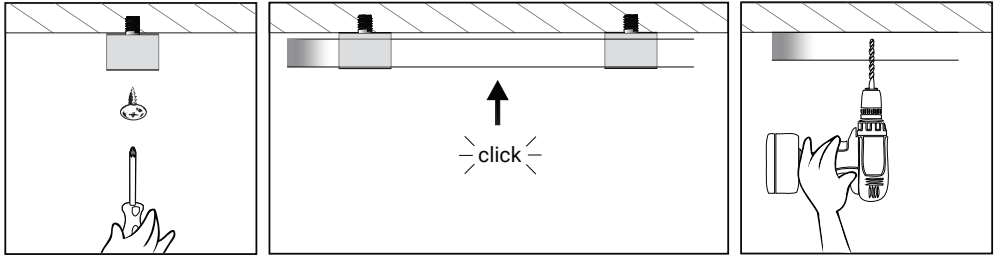
|                 |  |
|-----------------|--|
| Article numbers | LPL-* (Low)<br>LPH-* (High)<br>LPC-* (Cover) |
| Material        | Aluminum                                     |
| Finish          | Grey<br>Matte Black<br>Matte White           |
| Length          | 200–3000 mm                                  |



# Mounting

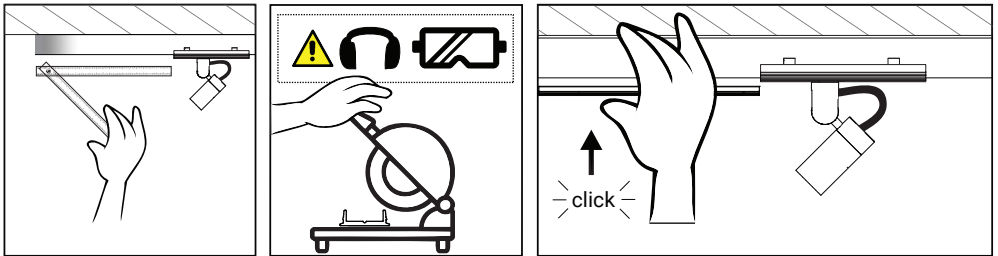
Method 1: Use associated clips. LFL12-\* for Low or LFH12-\* for High

Method 2: Drill and screw straight through it.



## Cover

Use the optional cover (LPC-\*) to hide cables and create a seamless installation. Cut the cover by using a miter saw.



## Compatible luminaire list

|              |  |
|--------------|--|
| GIM*-CCL     | Gimmick CC/350mA LED-profile           |
| GIZ*-CCL     | Gizmo CC/700mA LED-profile             |
| GIZZ*-CCL    | Gizmo Zoom CC/700mA LED-profile        |
| DIN*-CCL     | Dinkey CC/1050mA LED-profile           |
| DIN*B-CCL    | Dinkey CC/500mA LED-profile            |
| ARTPAR*-CCL  | Arty PAR CC/1200mA LED-profile         |
| ARTPAR*B-CCL | Arty PAR CC/500mA LED-profile          |
| ARTPZ*B-CCL  | Arty Profile Zoom CC/500mA LED-profile |

## Accessories and spare parts

|                  |   |
|------------------|---|
| PT-STICK         | PicoStick, fixture removal tool   |
| LPC-1            | Cover for LED Profile, Grey   |
| LPC-2            | Cover for LED Profile, Black  |
| LPC-3            | Cover for LED Profile, White  |
| PT-41-1          | End Cap LED Profile Low, Grey   |
| PT-41-2          | End Cap LED Profile Low, Black  |
| PT-41-3          | End Cap LED Profile Low, White  |
| GIZ-A512B-1      | End Cap LED Profile High, Grey  |
| GIZ-A512B-2      | End Cap LED Profile High, Black   |
| GIZ-A512B-3      | End Cap LED Profile High, White   |
| LFL-12-1         | Mounting Clips, LED Profile Low, Grey                                     |
| LFL-12-2         | Mounting Clips, LED Profile Low, Black                                    |
| LFL-12-3         | Mounting Clips, LED Profile Low, White                                    |
| LFH-12-1         | Mounting Clips, LED Profile High, Grey                                    |
| LFH-12-2         | Mounting Clips, LED Profile High, Black                                   |
| LFH-12-3         | Mounting Clips, LED Profile High, White                                   |
| KGS80<br>1501090 | Proxxon KGS 80 Cut off / Mitre saw<br>Saw Blade Spare Saw Blade, Tungsten |

## Cables and connections

|            |                               |
|------------|-------------------------------|
| GIZ-KM-5   | LED Connector Cable 50mm      |
| GIZ-KM-10  | LED Connector Cable 100mm     |
| GIZ-KM-15  | LED Connector Cable 150mm     |
| GIZ-KM-25  | LED Connector Cable 250mm     |
| GIZ-KM-35  | LED Connector Cable 350mm     |
| GIZ-KM-65  | LED Connector Cable 650mm     |
| GIZ-KM-105 | LED Connector Cable 1050mm    |
| GIZ-KS-100 | LED Extension Cable 1000mm    |
| GIZ-KA-20  | LED First connector 200mm     |
| GIZ-B3     | LED 3-Distributor, 1 in 3 out |
| GIZ-B6     | LED 6-Distributor, 1 in 6 out |
| GIZ-KL-1   | LED Cable, Grey               |
| GIZ-KL-2   | LED Cable, Black              |
| GIZ-KL-3   | LED Cable, White              |