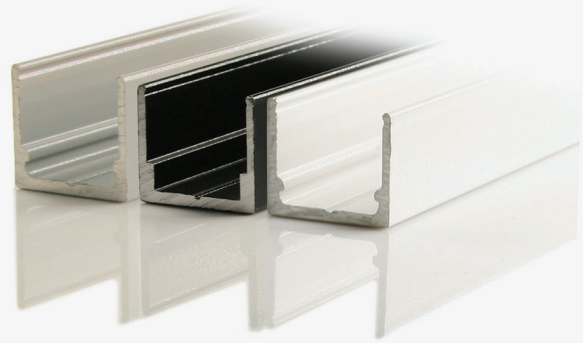


LED Profiles

For lighting installations



Fits many different luminaires

LED-drivers with various functions can be used

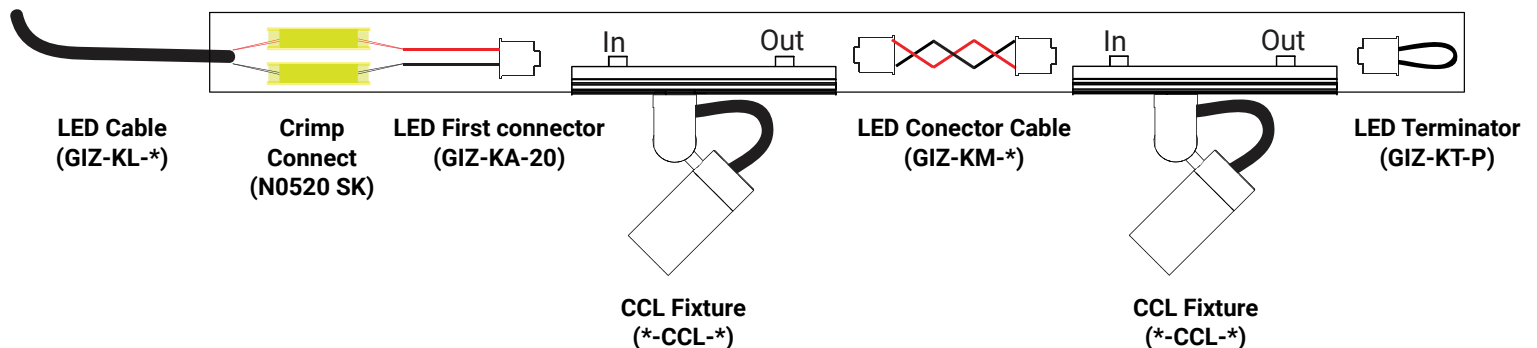
Possibility to route multiple control channels inside the LED Profile

Optional cover to create elegant and seamless installations

LED Profiles is a series of aluminum profiles available in grey, black and white.

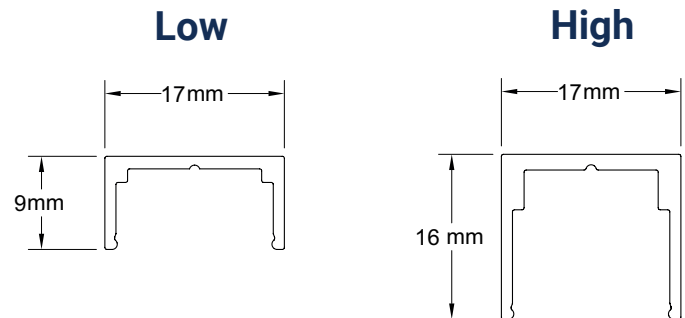
Fits all luminaires from the CCL (Constant Current LED profile) range.
The luminaires are linked with connector cables inside the profiles.

Example installation:

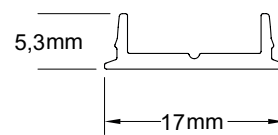


TECHNICAL SPECIFICATION

Material	Extruded aluminium
Finish	Grey (RAL 7040) Matte Black (RAL 9005) Matte White (RAL 9016)
Length	Up to 3000 mm
Mounting	Fastening clip, screw



Cover



COMPATIBLE LUMINAIRES LIST

Article Number	Name	Power
GIM*-CCL	Gimmick CC/350mA LED-profile	1W
GIZ*-CCL	Gizmo CC/700mA LED-profile	2W
GIZZ*-CCL	Gizmo Zoom CC/700mA LED-profile	2W
DIN*-CCL	Dinkey CC/1050mA LED-profile	3W
DIN*B-CCL	Dinkey CC/500mA LED-profile	6W
ARTACC*-CCL	Arty Accent CC/1200mA LED-profile	4W
ARTACC*B-CCL	Arty Accent CC/500mA LED-profile	6W
ARTF*B-CCL	Arty Framer CC/500mA LED-profile	6W
ARTZOOM*B-CCL	Arty Zoom CC/500mA LED-profile	6W


LED PROFILES



LED PROFILE low

Sold pre-cut according to customer's dimensions
Shortest length is 20 cm, the longest is 3 meters

LPL-*	LED Profile Low	10*17 mm, max 3m
PT-41-*	End Cap LED Profile, Low	
LFL-12-*	Mounting Clips, LED Profile Low	Screw included

* 1: Grey  2: Black  3: White 



LED PROFILE high

Sold pre-cut according to customer's dimensions
Shortest length is 20 cm, the longest is 3 meters

LPH-*	LED Profile High	17*17 mm, max 3m
GIZ-A512B-*	End Cap LED Profile, High	
LFH-12-*	Mounting Clips, LED Profile High	Screw included

* 1: Grey  2: Black  3: White 



LED PROFILE cover

Fits LED-profile High and Low

LPC-*	Cover for LED Profile Low/High	16*3 mm, max 3m.
-------	--------------------------------	------------------

* 1: Grey  2: Black  3: White 

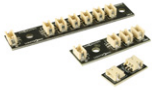


CONNECTOR CABLES

Connector cables are used to link CCL-fixtures.
The last fixture in the line needs a LED Terminator to short the circuit.

GIZ-KA-20	LED First connector 200mm	Plug Female
GIZ-KA-3000-1	LED First connector 3000mm, Grey	Plug Female
GIZ-KA-3000-2	LED First connector 3000mm, Black	Plug Female
GIZ-KA-3000-3	LED First connector 3000mm, White	Plug Female
GIZ-KM-5	LED Connector Cable 50mm	Plug Female/Female
GIZ-KM-10	LED Connector Cable 100mm	Plug Female/Female
GIZ-KM-15	LED Connector Cable 150mm	Plug Female/Female
GIZ-KM-25	LED Connector Cable 250mm	Plug Female/Female
GIZ-KM-35	LED Connector Cable 350mm	Plug Female/Female
GIZ-KM-65	LED Connector Cable 650mm	Plug Female/Female
GIZ-KM-105	LED Connector Cable 1050mm	Plug Female/Female
GIZ-KS-100	LED Extension Cable 1000mm	Plug Male/Female
GIZ-KT-P	LED Terminator	Plug





LED DISTRIBUTOR

Distribution blocks for CCL/CCS fixtures
Unused slots needs to be filled with a LED Terminator

GIZ-B1	LED 1-1	1 in 1 out (NEW!)
GIZ-B3	LED 3-Distributor	1 in 3 out
GIZ-B6	LED 6-Distributor	1 in 6 out



LED CABLE

For Constant current LED installations
Swedish made quality cable designed by Ljusdesign

GIZ-KL-*	LED-Cable	Ø2,9mm 2*0,14, Zero Halogen / meter
----------	-----------	-------------------------------------

* 1: Grey 2: Black 3: White



CRIMP CONNECT

Using crimp is a great way of splicing wires

N0520 SK	Isolated butt splice, Yellow	20mm, 0.14-0.50mm ²
DSA 0115	Hand crimp tool for N0520 SK	For insulated terminals
SCT00	Abico SCT00	Wire Stripper



CONSTANT CURRENT LED DRIVERS

Many of our drivers come prepared with potentiometer and connector cable

LD30C-PV2-D	Lightronic CC LED-driver 30W with dimmer	250-700mA, 6-60V, 1-10V (push), Built-in dimmer and connector
LD30C-PV2	Lightronic CC LED-driver 30W	250-700mA, 6-60V, 1-10V (push)
LD30C-PV2-D	Lightronic CC LED-driver 50W with dimmer	500-1200mA, 6-60V, 1-10V (push), Built-in dimmer and connector
LD30C-PV2-D	Lightronic CC LED-driver 50W	500-1200mA, 6-60V, 1-10V (push)
LT-50-A2	Lightronic XL CC LED-driver 2*25W with dimmer	2x250-700mA, 6-56V, 1-10V (push), Built-in dimmer and connector
M-JOL	Maxi Jolly US LED-driver 50W	350-1050mA, 2-74V, 1-10V (push)
RS.723-8713	Lumotech L05021, LED-driver CC dimbar 350/700mA	350mA/700mA, 3-32V, Trailing edge dimmer
RS.837-7793	Lumotech L05011i3, LED-driver CC/CV 1-10 V, 20W	150-1200mA, 6-42V, 1-10V
ELDO.SL361A	SoloDriveAC LED-driver CC 361/A 0-10V	150-1050mA, 2-55V, 0-10V, 1 ch / 1 output
ELDO.SL1061A1	SoloDriveAC LED-driver CC 1061/A 0-10V	150-1050mA, 2-55V, 0-10V, 1 ch / 4 output
M-JOL CASAMBI	Maxi Jolly US LED-driver CC 50W CASAMBI	350-1050mA, 2-74V, Casambi
VL20D-D	Viapaq VL20D/P LED-driver CC/CV 20W DALI	200-900mA, 3-46V, 0/1-10V (Dali), Built-in dimmer and connector
VL20D	Viapaq VL20D/P LED-driver CC/CV 20W DALI	200-900mA, 3-46V, 0/1-10V (Dali)
ELDO.SAC360/A	SoloDrive 360/A6 LED-driver CC 30W DALI-2	150-1050mA, 2-55V, Dali, 1 ch / 1 output
ELDO.SAC560/A	SoloDrive 560/A1 LED-driver CC 50W DALI	150-1400mA, 2-55V, Dali, 1 ch / 2 output
ELDO.DAC560/A	DualDrive 560/A1 LED-driver CC 50W DALI	150-1400mA, 2-55V, Dali, 2 ch / 2 output
SL.3702B-H-700	LED-driver CC DIN 2ch 700mA, 24V DC	700mA, 2-12V, DMX, 2 ch
EC.CC.7320000	DMX2CC, LED-driver CC DIN 6 ch	350-700mA, 24-48V, DMX, 6 ch
EC.CC.7340000	DMX2CC, LED-driver CC DIN 12 ch	350-700mA, 24-48V, DMX, 12 ch