

neo Accent

A powerful fixture with
interchangeable lenses



High light output

Perfect color rendering and consistency

Interchangeable lenses

Neo Accent is a powerful spotlight developed for use in museums and art galleries.

It features an adjustable snoot for glare reduction. It has five different highly efficient lenses to choose from.

New! Available with Casambi Pot for 3-phase tracks. Adjust and fine-tune your Casambi levels directly on the fixture and to create scenes with ease.

Neo Accent is available for the following lighting systems:

Analog

Analog
(3-phase tracks, 220–240V AC)

- Fixture has built-in 0–100% dimmer
- No external dimming possible

CASAMBI

Casambi
(3-phase tracks, 220–240V AC)

- Casambi rotary dimmer 0–100%
- Casambi app or associated products

DMX

DMX via Lumenradio
(3-phase tracks, 220–240V AC)

- Dimming via Lumenradio CRMX
- Fixture has built-in 0–100% dimmer

DALI

DALI
(Global Trac Pulse, 220–240V AC)

- Dimming via DALI 1–100%





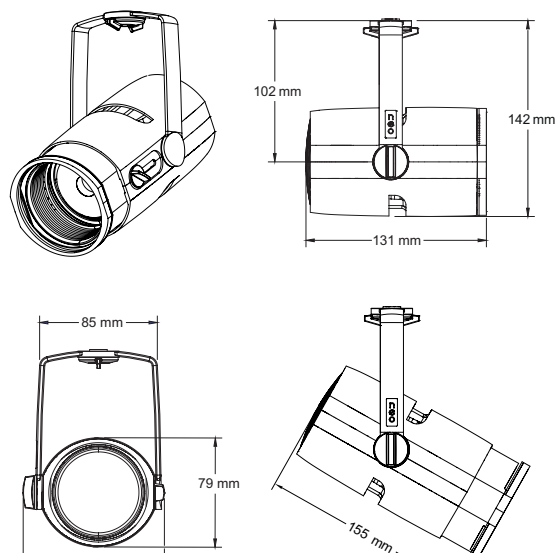
TECHNICAL SPECIFICATION

Material	Lamp housing made of die-cast aluminum, Adapter housing made of PC 10 GF, TIR Lens made of PMMA
Finish	Grey (RAL 7040) Black (RAL 9005) White (RAL 9016)
System	3-phase circuit track
Protection class	IP20
Operating voltage	230V~ 50/60Hz
Power consumption	24-26W
Rated life	L70 > 55 000h according to TM-21 projection (Ta 25°)
LED failure rate	0,1% 50 000h
Beam angle	Interchangeable
Color temperatures	2700K, 3000K, 4000K
Swivels	>365°
Tilts	>90°
Features	Filter holder, Phase selector, Toolless pan, Tilt lock

LIGHT DATA

LED lumen	1910 lm
Luminaire lumen	1792 lm
CRI	95 (Typical 98 CRI)
Red component R9	>80
MacAdam	2-step ellipse (SDCM 2)

* Data from 3000K, Real spot lens



SPOTLIGHTS
NEO ACCENT



NEO ACCENT ANALOG

Built-in local dimmer (0–100%)
Slim profile adapter

2700K	NEOACC27C-AL-*	Neo Accent 230V/24W 2700K	1800lm, CRI 98, SDCM2, lens M, 3-phase, dimmer
3000K	NEOACC30C-AL-*	Neo Accent 230V/24W 3000K	1910lm, CRI 98, SDCM2, lens M, 3-phase, dimmer
4000K	NEOACC40C-AL-*	Neo Accent 230V/24W 4000K	1990lm, CRI 98, SDCM2, lens M, 3-phase, dimmer
2700K	NEOACC27C-AH-*	Neo Accent 230V/26W 2700K	1800lm, CRI 98, SDCM2, lens M, 3-phase, dimmer
3000K	NEOACC30C-AH-*	Neo Accent 230V/26W 3000K	1910lm, CRI 98, SDCM2, lens M, 3-phase, dimmer
4000K	NEOACC40C-AH-*	Neo Accent 230V/26W 4000K	1990lm, CRI 98, SDCM2, lens M, 3-phase, dimmer

* 1: Grey 2: Black 3: White



NEO ACCENT CASAMBI POT

Casambi rotary dimmer (0–100%)
Adjust Casambi light levels directly on the fixture
Fits most known 3-phase tracks

CASAMBI

2700K	NEOACC27C-AHCP-*	Neo Accent 230V/24W Casambi 2700K	1800lm, CRI 98, SDCM2, lens M, 3-phase, potentiometer	NEW
3000K	NEOACC30C-AHCP-*	Neo Accent 230V/24W Casambi 3000K	1910lm, CRI 98, SDCM2, lens M, 3-phase, potentiometer	NEW
4000K	NEOACC40C-AHCP-*	Neo Accent 230V/24W Casambi 4000K	1990lm, CRI 98, SDCM2, lens M, 3-phase, potentiometer	NEW

* 2: Black 3: White



NEO ACCENT CASAMBI

Fixture is configured using the Casambi app
Fits most known 3-phase tracks

CASAMBI

2700K	NEOACC27C-AHC-*	Neo Accent 230V/24W Casambi 2700K	1800lm, CRI 98, SDCM2, lens M, 3-phase
3000K	NEOACC30C-AHC-*	Neo Accent 230V/24W Casambi 3000K	1910lm, CRI 98, SDCM2, lens M, 3-phase
4000K	NEOACC40C-AHC-*	Neo Accent 230V/24W Casambi 4000K	1990lm, CRI 98, SDCM2, lens M, 3-phase

* 1: Grey 2: Black 3: White



NEO ACCENT DMX

Wireless DMX via Lumenradio CRMX
Configuration via built-in display
Fits most known 3-phase tracks
Local dimmer (0–100%)

 **lumenradio**
Creating Connectivity for a Better Tomorrow

2700K	NEOACC27C-AHX-*	Neo Accent 230V/26W DMX 2700K	1800lm, CRI 98, SDCM2, lens M, 3-phase, wireless DMX
3000K	NEOACC30C-AHX-*	Neo Accent 230V/26W DMX 3000K	1910lm, CRI 98, SDCM2, lens M, 3-phase, wireless DMX
4000K	NEOACC40C-AHX-*	Neo Accent 230V/26W DMX 4000K	1990lm, CRI 98, SDCM2, lens M, 3-phase, wireless DMX

* 1: Grey 2: Black 3: White





NEO ACCENT DALI

DALI (Dimming 1-100%).

Equipped with a DALI driver for Global Trac PULSE track

2700K	NEOACC27C-AHD-*	Neo Accent 230V/24W DALI 2700K	1800lm, CRI 98, SDCM2, lens M, 3-phase, PULSE DALI
3000K	NEOACC30C-AHD-*	Neo Accent 230V/24W DALI 3000K	1910lm, CRI 98, SDCM2, lens M, 3-phase, PULSE DALI
4000K	NEOACC40C-AHD-*	Neo Accent 230V/24W DALI 4000K	1990lm, CRI 98, SDCM2, lens M, 3-phase, PULSE DALI

* 1: Grey 2: Black 3: White



NEO ACCENT CC SOLO

No driver / adapter included

Operated by external LED driver, max 600 mA / 22W, Vf = 36V

2700K	NEOACC27C-CCS-*	Neo Accent CC/600mA Solo 2700K	1800lm, Vf=36V, 600mA, CRI 98, SDCM 2, lens M, 1m cable
3000K	NEOACC30C-CCS-*	Neo Accent CC/600mA Solo 3000K	1910lm, Vf=36V, 600mA, CRI 98, SDCM 2, lens M, 1m cable
4000K	NEOACC40C-CCS-*	Neo Accent CC/600mA Solo 4000K	1990lm, Vf=36V, 600mA, CRI 98, SDCM 2, lens M, 1m cable

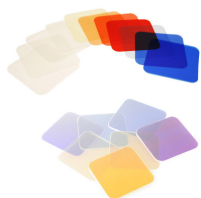
* 1: Grey 2: Black 3: White



NEO ACCENT LENSES

Lenses for Neo Accent

ILONA-RS	Ilona Lens Real Spot	14°
ILONA-SS	Ilona Lens Smooth Spot	17°
ILONA-M	Ilona Lens Medium	24° (Standard)
ILONA-W	Ilona Lens Wide	34°
ILONA-WW	Ilona Lens Very Wide	43°



NEO FILTERS

Wide range of colour, diffusion and correction filters

NEO-D-L021	Neo Filter Dichroic L021 / R21	Gold Amber	NEW
NEO-D-L058	Neo Filter Dichroic L058 / R56	Lavender	NEW
NEO-D-L075	Neo Filter Dichroic L075 / R68	Evening Blue	NEW
NEO-D-L061	Neo Filter Dichroic L061 / R372 / ½ CTB	2700K>3300K, 3000K>3750K, 4000K>5150K	NEW
NEO-D-L152	Neo Filter Dichroic L152 / R304 / ½ CTO	2700K>2200K, 3000K>2400K, 4000K>2900K	NEW
NEO-D-L206	Neo Filter Dichroic L206 / R09 / ¼ CTO	2700K>2300K, 3000K>2500K, 4000K>3050K	NEW
NEO-D-L281	Neo Filter Dichroic L281 / R371 / CTB	2700K>4100K, 3000K>4900K, 4000K>7800K	NEW
NEO98	Neo Filter	Please ask for current selection	
NEO FILTERKIT	Neo Filter kit	Standard gel kit (L203, L206, #119)	