

neo Framer Narrow

A bright contour spotlight with advanced zoom optics



Very sharp edges

Perfect color rendering and consistency

Shape the light with great accuracy

Neo Framer Narrow is a bright contour spotlight with advanced zoom optics and projection capability.

It features two sliding lenses which can be used to easily adjust the size and focus of the light cone.

Neo Profile Narrow delivers razor-sharp edges and at the same time leaves a slight hotspot in the middle, capturing what's being illuminated in the most perfect way.

New! Available with Casambi Pot for 3-phase tracks. Adjust and fine-tune your Casambi levels directly on the fixture and to create scenes with ease.

Neo Framer Narrow is available for the following lighting systems:

Analog

Analog
(3-phase tracks, 220–240V AC)

- Fixture has built-in 0–100% dimmer
- No external dimming possible

CASAMBI

Casambi
(3-phase tracks, 220–240V AC)

- Casambi rotary dimmer 0–100%
- Casambi app or associated products

DMX

DMX via Lumenradio
(3-phase tracks, 220–240V AC)

- Dimming via Lumenradio CRMX
- Fixture has built-in 0–100% dimmer

DALI

DALI
(Global Trac Pulse, 220–240V AC)

- Dimming via DALI 1-100%





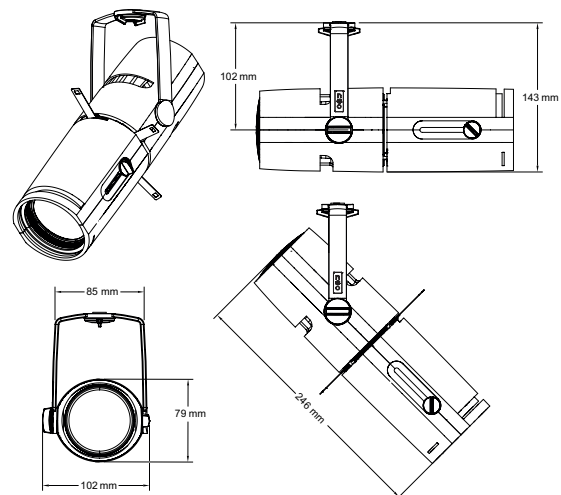
TECHNICAL SPECIFICATION

Material	Lamp housing made of die-cast aluminum, Adapter housing made of PC 10 GF, Anti-reflective zoom-lenses made of glass
Finish	Grey (RAL 7040) Black (RAL 9005) White (RAL 9016)
System	3-phase circuit track
Protection class	IP20
Operating voltage	230V~ 50/60Hz
Power consumption	24–26W
Rated life	L70 > 55 000h according to TM-21 projection (Ta 25°)
LED failure rate	0,1% 50 000h
Beam angle	Adjustable 14–27°
Color temperatures	2700K, 3000K, 4000K
Swivels	>365°
Tilts	>90°
Gobo	E-size (37,5 mm)
Features	Filter holder, Phase selector, Toolless pan, Tilt lock
Optional accessories	Gobo holder, Gobo patterns

LIGHT DATA

LED lumen	1910 lm
Luminaire lumen	1086 lm
CRI	95 (Typical 98 CRI)
Red component R9	>80
MacAdam	2-step ellipse (SDCM 2)

* Data from 3000K, widest beam angle



SPOTLIGHTS
NEO FRAMER NARROW



NEO FRAMER NARROW ANALOG

Built-in local dimmer (0–100%)

2700K	NEOFN27C-AL-*	Neo Framer Narrow 230V/24W 2700K	1800lm, CRI 98, SDCM2, 14–27°, 3-phase, dimmer
3000K	NEOFN30C-AL-*	Neo Framer Narrow 230V/24W 3000K	1910lm, CRI 98, SDCM2, 14–27°, 3-phase, dimmer
4000K	NEOFN40C-AL-*	Neo Framer Narrow 230V/24W 4000K	1990lm, CRI 98, SDCM2, 14–27°, 3-phase, dimmer
2700K	NEOFN27C-AH-*	Neo Framer Narrow 230V/26W 2700K	1800lm, CRI 98, SDCM2, 14–27°, 3-phase, dimmer
3000K	NEOFN30C-AH-*	Neo Framer Narrow 230V/26W 3000K	1910lm, CRI 98, SDCM2, 14–27°, 3-phase, dimmer
4000K	NEOFN40C-AH-*	Neo Framer Narrow 230V/26W 4000K	1990lm, CRI 98, SDCM2, 14–27°, 3-phase, dimmer

* 1: Grey 2: Black 3: White



NEO FRAMER NARROW CASAMBI POT

Casambi rotary dimmer (0–100%)

Adjust Casambi light levels directly on the fixture

Fits most known 3-phase tracks

CASAMBI

2700K	NEOFN27C-AHCP-*	Neo Framer Narrow 230V/24W Casambi 2700K	1800lm, CRI 98, SDCM2, 14–27°, 3-phase, pot	NEW
3000K	NEOFN30C-AHCP-*	Neo Framer Narrow 230V/24W Casambi 3000K	1910lm, CRI 98, SDCM2, 14–27°, 3-phase, pot	NEW
4000K	NEOFN40C-AHCP-*	Neo Framer Narrow 230V/24W Casambi 4000K	1990lm, CRI 98, SDCM2, 14–27°, 3-phase, pot	NEW

* 2: Black 3: White



NEO FRAMER NARROW CASAMBI

Fixture is configured using the Casambi app

Fits most known 3-phase tracks

CASAMBI

2700K	NEOFN27C-AHC-*	Neo Framer Narrow 230V/24W Casambi 2700K	1800lm, CRI 98, SDCM2, 14–27°, 3-phase
3000K	NEOFN30C-AHC-*	Neo Framer Narrow 230V/24W Casambi 3000K	1910lm, CRI 98, SDCM2, 14–27°, 3-phase
4000K	NEOFN40C-AHC-*	Neo Framer Narrow 230V/24W Casambi 4000K	1990lm, CRI 98, SDCM2, 14–27°, 3-phase

* 1: Grey 2: Black 3: White



NEO FRAMER NARROW DMX

Wireless DMX via Lumenradio CRMX

Configuration via built-in display

Fits most known 3-phase tracks

Local dimmer (0–100%)

 **lumenradio**
Creating Connectivity for a Better Tomorrow

2700K	NEOFN27C-AHX-*	Neo Framer Narrow 230V/26W DMX 2700K	1800lm, CRI 98, SDCM2, 14–27°, 3-phase, wireless DMX
3000K	NEOFN30C-AHX-*	Neo Framer Narrow 230V/26W DMX 3000K	1910lm, CRI 98, SDCM2, 14–27°, 3-phase, wireless DMX
4000K	NEOFN40C-AHX-*	Neo Framer Narrow 230V/26W DMX 4000K	1990lm, CRI 98, SDCM2, 14–27°, 3-phase, wireless DMX

* 1: Grey 2: Black 3: White





NEO FRAMER NARROW DALI

DALI (Dimming 1-100%).
Equipped with a DALI driver for Global Trac PULSE track

2700K	NEOFN27C-AHD-*	Neo Framers Narrow 230V/24W DALI 2700K	1800lm, CRI 98, SDCM2, 14-27°, 3-phase, PULSE DALI
3000K	NEOFN30C-AHD-*	Neo Framers Narrow 230V/24W DALI 3000K	1910lm, CRI 98, SDCM2, 14-27°, 3-phase, PULSE DALI
4000K	NEOFN40C-AHD-*	Neo Framers Narrow 230V/24W DALI 4000K	1990lm, CRI 98, SDCM2, 14-27°, 3-phase, PULSE DALI

* 1: Grey 2: Black 3: White



NEO FRAMER NARROW CC SOLO

No driver / adapter included
Operated by external LED driver, max 600 mA / 22W, Vf = 36V

2700K	NEOFN27C-CCS-*	Neo Framers Narrow CC/600mA Solo 2700K	1800lm, Vf=36V, 600mA, CRI 98, SDCM 2, 14-27°, 1m cable
3000K	NEOFN30C-CCS-*	Neo Framers Narrow CC/600mA Solo 3000K	1910lm, Vf=36V, 600mA, CRI 98, SDCM 2, 14-27°, 1m cable
4000K	NEOFN40C-CCS-*	Neo Framers Narrow CC/600mA Solo 4000K	1990lm, Vf=36V, 600mA, CRI 98, SDCM 2, 14-27°, 1m cable

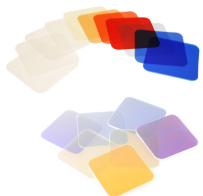
* 1: Grey 2: Black 3: White



E-size Gobos

A selection of useful gobos

NEO92	Neo Gobo Holder for E-size metal gobo	Required for metal gobo		
NEO92X	Neo Gobo Holder for E-size glass gobo	Ø 37,5 mm, image: Ø 28 mm, thick: 1,1 mm		
BL.*	Gobo E-size	Gobo standard E-size, Metal		
* 77175: Flames 1	77351: Streaks	77511: Linear	77513: Elliptical	77627: Water 5
77774: Blossoms	77777: Bare Branches 2	77805: Leaf Breakup Medium	77806: Leaf Breakup Large	77884: Snow
77955: Ripple Breakup	77958: Water 4	77963: Arrow	77980: Jail Bars	78217: Summer Leaves
78254: Round Window	78477: Stratus 1	78487: 3x3 Fat	79203: Linear 10	71041: Mottle Breakup
76570: Three Sister Birch: 2	77107: Pine Branches	77119: Leaf breakup Small	77124: Lattice	G227: Cloud 4
G251: Spring Branches	G551: Summer Branches	G635: Construction A	G636: Construction B	



NEO FILTERS

Wide range of colour, diffusion and correction filters

NEO-D-L021	Neo Filter Dichroic L021 / R21	Gold Amber	NEW
NEO-D-L058	Neo Filter Dichroic L058 / R56	Lavender	NEW
NEO-D-L075	Neo Filter Dichroic L075 / R68	Evening Blue	NEW
NEO-D-L061	Neo Filter Dichroic L061 / R372 / ½ CTB	2700K>3300K, 3000K>3750K, 4000K>5150K	NEW
NEO-D-L152	Neo Filter Dichroic L152 / R304 / ½ CTO	2700K>2200K, 3000K>2400K, 4000K>2900K	NEW
NEO-D-L206	Neo Filter Dichroic L206 / R09 / ¼ CTO	2700K>2300K, 3000K>2500K, 4000K>3050K	NEW
NEO-D-L281	Neo Filter Dichroic L281 / R371 / CTB	2700K>4100K, 3000K>4900K, 4000K>7800K	NEW
NEO98	Neo Filter	Please ask for current selection	
NEO FILTERKIT	Neo Filter kit	Standard gel kit (L203, L206, #119)	