

# neo Framer

A profile with an extra wide beam angle



Very sharp edges

Perfect color rendering and consistency

Shape the light with great accuracy

Neo Framer Wide is a profile with an extra wide beam angle. It was first conceived as an alternative to our original Neo Framer Narrow luminaire.

While not as sharp, its variable 20–45° beam angle makes it great for illuminating large objects, as well as making it ideal for tight spaces.

In addition, the flatter field of light also makes Neo Framer Wide very suitable for artwork lighting.

**New!** Available with Casambi Pot for 3-phase tracks. Adjust and fine-tune your Casambi levels directly on the fixture and to create scenes with ease.

## Neo Framer Wide is available for the following lighting systems:

### Analog

#### Analog (3-phase tracks, 220–240V AC)

- Fixture has built-in 0–100% dimmer
- No external dimming possible

### CASAMBI

#### Casambi (3-phase tracks, 220–240V AC)

- Casambi rotary dimmer 0–100%
- Casambi app or associated products

### DMX

#### DMX via Lumenradio (3-phase tracks, 220–240V AC)

- Dimming via Lumenradio CRMX
- Fixture has built-in 0–100% dimmer

### DALI

#### DALI (Global Trac Pulse, 220–240V AC)

- Dimming via DALI 1-100%





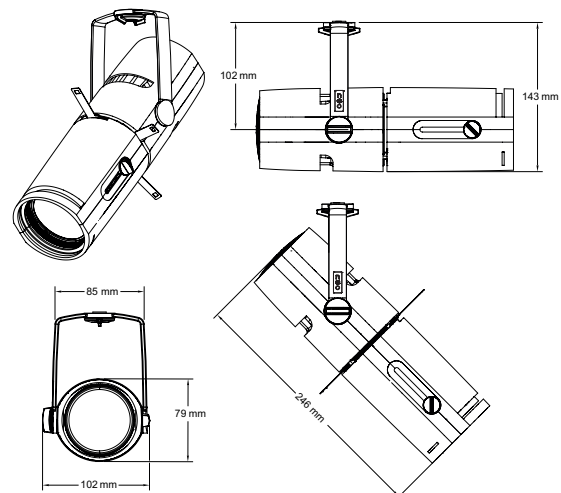
## TECHNICAL SPECIFICATION

Material	Lamp housing made of die-cast aluminum, Adapter housing made of PC 10 GF, Anti-reflective zoom-lenses made of glass
Finish	Grey (RAL 7040) Black (RAL 9005) White (RAL 9016)
System	3-phase circuit track
Protection class	IP20
Operating voltage	230V~ 50/60Hz
Power consumption	24–26W
Rated life	L70 > 55 000h according to TM-21 projection (Ta 25°)
LED failure rate	0,1% 50 000h
Beam angle	Adjustable 20–45°
Color temperatures	2700K, 3000K, 4000K
Swivels	>365°
Tilts	>90°
Gobo	E-size (37,5mm)
Features	Filter holder, Phase selector, Toolless pan, Tilt lock
Optional accessories	Gobo holder, Gobo patterns

## LIGHT DATA

LED lumen	1910 lm
Luminaire lumen	908 lm
CRI	95 (Typical 98 CRI)
Red component R9	>80
MacAdam	2-step ellipse (SDCM 2)

\* Data from 3000K, widest beam angle



SPOTLIGHTS  
NEO FRAMER WIDE



**NEO FRAMER WIDE ANALOG**

Built-in local dimmer (0–100%)

2700K	NEOFW27C-AL-*	Neo Framers Wide 230V/24W 2700K	1800lm, CRI 98, SDCM2, 20–45°, 3-phase, dimmer
3000K	NEOFW30C-AL-*	Neo Framers Wide 230V/24W 3000K	1910lm, CRI 98, SDCM2, 20–45°, 3-phase, dimmer
4000K	NEOFW40C-AL-*	Neo Framers Wide 230V/24W 4000K	1990lm, CRI 98, SDCM2, 20–45°, 3-phase, dimmer
2700K	NEOFW27C-AH-*	Neo Framers Wide 230V/26W 2700K	1800lm, CRI 98, SDCM2, 20–45°, 3-phase, dimmer
3000K	NEOFW30C-AH-*	Neo Framers Wide 230V/26W 3000K	1910lm, CRI 98, SDCM2, 20–45°, 3-phase, dimmer
4000K	NEOFW40C-AH-*	Neo Framers Wide 230V/26W 4000K	1990lm, CRI 98, SDCM2, 20–45°, 3-phase, dimmer

\* 1: Grey  2: Black  3: White



**NEO FRAMER WIDE CASAMBI POT**

Casambi rotary dimmer (0–100%)

Adjust Casambi light levels directly on the fixture

Fits most known 3-phase tracks

CASAMBI

2700K	NEOFW27C-AHCP-*	Neo Framers Wide 230V/24W Casambi 2700K	1800lm, CRI 98, SDCM2, 20–45°, 3-phase, pot	NEW
3000K	NEOFW30C-AHCP-*	Neo Framers Wide 230V/24W Casambi 3000K	1910lm, CRI 98, SDCM2, 20–45°, 3-phase, pot	NEW
4000K	NEOFW40C-AHCP-*	Neo Framers Wide 230V/24W Casambi 4000K	1990lm, CRI 98, SDCM2, 20–45°, 3-phase, pot	NEW

\* 2: Black  3: White



**NEO FRAMER WIDE CASAMBI**

Fixture is configured using the Casambi app

Fits most known 3-phase tracks

CASAMBI

2700K	NEOFW27C-AHC-*	Neo Framers Wide 230V/24W Casambi 2700K	1800lm, CRI 98, SDCM2, 20–45°, 3-phase
3000K	NEOFW30C-AHC-*	Neo Framers Wide 230V/24W Casambi 3000K	1910lm, CRI 98, SDCM2, 20–45°, 3-phase
4000K	NEOFW40C-AHC-*	Neo Framers Wide 230V/24W Casambi 4000K	1990lm, CRI 98, SDCM2, 20–45°, 3-phase

\* 1: Grey  2: Black  3: White



**NEO FRAMER WIDE DMX**

Wireless DMX via Lumenradio CRMX

Configuration via built-in display

Fits most known 3-phase tracks

Local dimmer (0–100%)

 **lumenradio**  
Creating Connectivity for a Better Tomorrow

2700K	NEOFW27C-AHX-*	Neo Framers Wide 230V/26W DMX 2700K	1800lm, CRI 98, SDCM2, 20–45°, 3-phase, wireless DMX
3000K	NEOFW30C-AHX-*	Neo Framers Wide 230V/26W DMX 3000K	1910lm, CRI 98, SDCM2, 20–45°, 3-phase, wireless DMX
4000K	NEOFW40C-AHX-*	Neo Framers Wide 230V/26W DMX 4000K	1990lm, CRI 98, SDCM2, 20–45°, 3-phase, wireless DMX

\* 1: Grey  2: Black  3: White





**NEO FRAMER WIDE DALI**

DALI (Dimming 1-100%).  
Equipped with a DALI driver for Global Trac PULSE track

<b>2700K</b>	NEOFW27C-AHD-*	Neo Framers Wide 230V/24W DALI 2700K	1800lm, CRI 98, SDCM2, 20-45°, 3-phase, PULSE DALI
<b>3000K</b>	NEOFW30C-AHD-*	Neo Framers Wide 230V/24W DALI 3000K	1910lm, CRI 98, SDCM2, 20-45°, 3-phase, PULSE DALI
<b>4000K</b>	NEOFW40C-AHD-*	Neo Framers Wide 230V/24W DALI 4000K	1990lm, CRI 98, SDCM2, 20-45°, 3-phase, PULSE DALI

\* 1: Grey  2: Black  3: White



**NEO FRAMER WIDE CC SOLO**

No driver / adapter included  
Operated by external LED driver, max 600 mA / 22W, Vf = 36V

<b>2700K</b>	NEOFW27C-CCS-*	Neo Framers Wide CC/600mA Solo 2700K	1800lm, Vf=36V, 600mA, CRI 98, SDCM 2, 20-45°, 1m cable
<b>3000K</b>	NEOFW30C-CCS-*	Neo Framers Wide CC/600mA Solo 3000K	1910lm, Vf=36V, 600mA, CRI 98, SDCM 2, 20-45°, 1m cable
<b>4000K</b>	NEOFW40C-CCS-*	Neo Framers Wide CC/600mA Solo 4000K	1990lm, Vf=36V, 600mA, CRI 98, SDCM 2, 20-45°, 1m cable

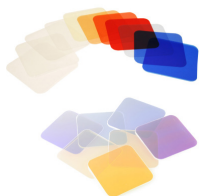
\* 1: Grey  2: Black  3: White



**E-size Gobos**

A selection of useful gobos

NEO92	Neo Gobo Holder for E-size metal gobo	Required for metal gobo		
NEO92X	Neo Gobo Holder for E-size glass gobo	Ø 37,5 mm, image: Ø 28 mm, thick: 1,1 mm		
BL.*	Gobo E-size	Gobo standard E-size, Metal		
* 77175: Flames 1	77351: Streaks	77511: Linear	77513: Elliptical	77627: Water 5
77774: Blossoms	77777: Bare Branches 2	77805: Leaf Breakup Medium	77806: Leaf Breakup Large	77884: Snow
77955: Ripple Breakup	77958: Water 4	77963: Arrow	77980: Jail Bars	78217: Summer Leaves
78254: Round Window	78477: Stratus 1	78487: 3x3 Fat	79203: Linear 10	71041: Mottle Breakup
76570: Three Sister Birch: 2	77107: Pine Branches	77119: Leaf breakup Small	77124: Lattice	G227: Cloud 4
G251: Spring Branches	G551: Summer Branches	G635: Construction A	G636: Construction B	



**NEO FILTERS**

Wide range of colour, diffusion and correction filters

NEO-D-L021	Neo Filter Dichroic L021 / R21	Gold Amber	<b>NEW</b>
NEO-D-L058	Neo Filter Dichroic L058 / R56	Lavender	<b>NEW</b>
NEO-D-L075	Neo Filter Dichroic L075 / R68	Evening Blue	<b>NEW</b>
NEO-D-L061	Neo Filter Dichroic L061 / R372 / ½ CTB	2700K>3300K, 3000K>3750K, 4000K>5150K	<b>NEW</b>
NEO-D-L152	Neo Filter Dichroic L152 / R304 / ½ CTO	2700K>2200K, 3000K>2400K, 4000K>2900K	<b>NEW</b>
NEO-D-L206	Neo Filter Dichroic L206 / R09 / ¼ CTO	2700K>2300K, 3000K>2500K, 4000K>3050K	<b>NEW</b>
NEO-D-L281	Neo Filter Dichroic L281 / R371 / CTB	2700K>4100K, 3000K>4900K, 4000K>7800K	<b>NEW</b>
NEO98	Neo Filter	Please ask for current selection	
NEO FILTERKIT	Neo Filter kit	Standard gel kit (L203, L206, #119)	