

STIHL

STIHL BGA 200

Instruction Manual



Contents

1	Introduction	2	8	Switching the Blower On/Off	16
2	Guide to Using this Manual	2	8.1	Switching On the Blower	16
2.1	Applicable Documentation	2	8.2	Switching Off	16
2.2	Symbols used with warnings in the text	3	9	Checking the Blower	17
2.3	Symbols in Text	3	9.1	Checking the Controls	17
3	Overview	3	10	Operating the Blower	17
3.1	Blower	3	10.1	Holding and Guiding the Blower	17
3.2	Carrying Systems	4	10.2	Setting the performance level	17
3.3	Symbols	4	10.3	Activating and Deactivating the Power Lock	18
4	Safety Precautions	5	10.4	Activating the Boost Function	18
4.1	Warning Symbols	5	10.5	Blow-Sweeping	19
4.2	Intended Use	5	11	After Finishing Work	19
4.3	The Operator	5	11.1	After Finishing Work	19
4.4	Clothing and Equipment	6	12	Transporting	19
4.5	Working Area and Surroundings	6	12.1	Transporting the blower	19
4.6	Safe condition	7	13	Storing	19
4.7	Operation	7	13.1	Storing the Blower	19
4.8	Transporting	8	14	Cleaning	19
4.9	Storing	8	14.1	Cleaning the blower	19
4.10	Cleaning, Maintenance and Repair	8	15	Maintenance and Repairs	19
5	Preparing the Blower for Operation	9	15.1	Maintenance Intervals	19
5.1	Preparing the Blower for Operation	9	15.2	Servicing and Repairing the Blower	19
6	Adjusting Blower for User	9	16	Troubleshooting	20
6.1	Adjusting the Nozzle	9	16.1	Troubleshooting the Blower and Battery	20
6.2	Using with STIHL AR L Battery	9	17	Specifications	22
6.3	Using with STIHL AR Battery	11	17.1	STIHL BGA 200 Blower	22
6.4	Fitting the Deluxe Carrying System	12	17.2	Noise and Vibration Data	22
6.5	Using with Carrying System	13	17.3	REACH	22
6.6	Fitting the Hip Pad	14	18	Spare Parts and Accessories	22
6.7	Using with Battery Belt	15	18.1	Spare parts and accessories	22
7	Inserting and Removing Connecting Cable Plug	16	19	Disposal	22
7.1	Inserting the Connecting Cable Plug	16	19.1	Disposing of Blower	22
7.2	Removing the Connecting Cable Plug	16			

STIHL

This instruction manual is protected by copyright. All rights reserved, especially the rights to reproduce, translate and process with electronic systems.

20 EC Declaration of Conformity	23
20.1 STIHL BGA 200 Blower	23
21 UKCA Declaration of Conformity	23
21.1 STIHL BGA 200 Blower	23

1 Introduction

Dear Customer,

Thank you for choosing STIHL. We develop and manufacture our quality products to meet our customers' requirements. The products are designed for reliability even under extreme conditions.

STIHL also stands for premium service quality. Our dealers guarantee competent advice and instruction as well as comprehensive service support.

STIHL expressly commit themselves to a sustainable and responsible handling of natural resources. This user manual is intended to help you use your STIHL product safely and in an environmentally friendly manner over a long service life.

We thank you for your confidence in us and hope you will enjoy working with your STIHL product.



Dr. Nikolas Stihl

IMPORTANT! READ BEFORE USING AND KEEP IN A SAFE PLACE FOR REFERENCE.

2 Guide to Using this Manual

2.1 Applicable Documentation

Local safety regulations apply.

- ▶ Read, understand and save the following documents in addition to this instruction manual:
 - User instructions for STIHL AR battery
 - User instructions for carrying system
 - Instruction manual for AP belt bag with connecting cable

- Safety notices and precautions for STIHL AP battery
- Instruction manual for STIHL AL 101, 300, 500 chargers
- Safety information for STIHL batteries and products with built-in batteries: www.stihl.com/safety-data-sheets

2.2 Symbols used with warnings in the text

WARNING

This symbol indicates dangers that can cause serious injuries or death.

- ▶ The measures indicated can avoid serious injuries or death.

NOTICE

This symbol indicates dangers that can cause damage to property.

- ▶ The measures indicated can avoid damage to property.

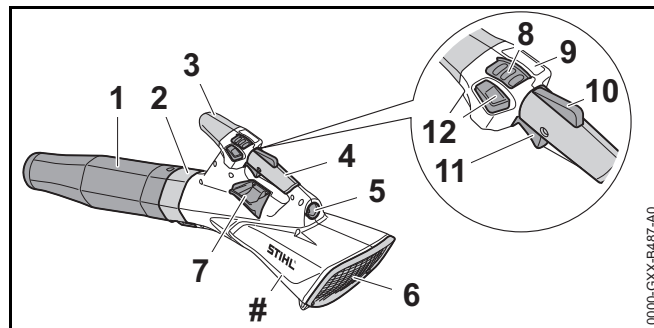
2.3 Symbols in Text



This symbol refers to a chapter in this instruction manual.

3 Overview

3.1 Blower



- 1 Nozzle**
Directs and concentrates the airstream.
- 2 Blower Tube**
Directs the airstream.
- 3 Grip**
For controlling the blower when a carrying system is used.
- 4 Control Handle**
For operating, controlling and carrying the blower.
- 5 Socket**
Receptacle for connecting cable plug.
- 6 Intake Screen**
Protects the operator from moving parts inside the blower.
- 7 Carrying Ring**
For attaching carrying system.
- 8 Release Slide**
Switches on the blower and selects power level.
- 9 LEDs**
The LEDs indicate the selected power level.

10 Trigger Lockout

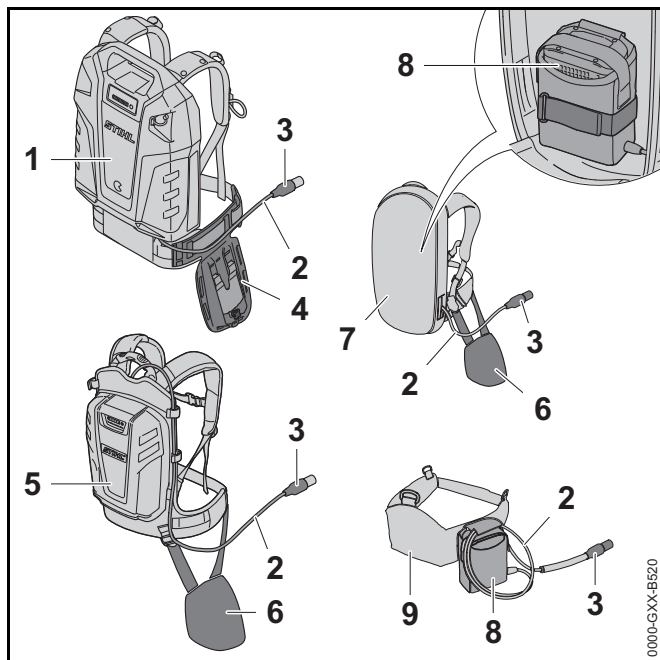
Unlocks the trigger.

11 Trigger

The trigger switches the blower on and off.

12 Power Lock Button

Locks blowing force in required position.

Rating Label with Serial Number**3.2 Carrying Systems****1 STIHL AR L battery:**

Supplies power to the blower.

2 Connecting Cable

Connects blower to the battery or “AP belt bag with connecting cable”.

3 Connecting Cable Plug

Connects blower to “AP belt bag with connecting cable” or a STIHL AR battery.

4 Deluxe Carrying System

Serves to carry blower on STIHL AR L or AR battery.

5 STIHL AR Battery

Supplies power to the blower.

6 Hip Pad

Serves to secure blower to STIHL AR battery or the carrying system with built-in “AP belt bag with connecting cable”.

7 Carrying System with Built-In “AP Belt Bag with Connecting Cable”

Supplies power to the blower.

8 “AP Belt Bag with Connecting Cable”

Supplies power to the blower.

9 Battery Belt with “AP Belt Bag with Connecting Cable”

Supplies power to the blower.

3.3 Symbols

Meanings of symbols that may be on the blower:



Push the release slide forwards to switch on the blower and set the power level.



Guaranteed sound power level according to directive 2000/14/EC in dB(A) in order to make sound emissions of products comparable.



Do not dispose of the product with your household waste.



Activate and deactivate power lock button.

4 Safety Precautions

4.1 Warning Symbols

Meanings of warning symbols on the blower:



Observe safety notices and take the necessary precautions.



Read, understand and save the instruction manual.



Wear safety glasses.



Confine long hair so that it cannot be sucked into the blower.



Observe safety notices on flying debris and take the necessary precautions.



Disconnect connecting cable plug from socket during work breaks, transport, storage, maintenance and repairs.



Maintain safe distance.

4.2 Intended Use

The STIHL BGA 200 blower is designed for blow-sweeping leaves, grass, paper and similar matter.

The blower may be used in the rain.

Power to this blower is supplied by a STIHL AP battery in combination with the “AP belt bag with connecting cable” or a STIHL AR battery.

⚠ WARNING

- Batteries not explicitly approved for the blower by STIHL may cause a fire or explosion. This can result in serious or fatal injuries and damage to property.
 - ▶ Use the blower with a STIHL AP battery in combination with the “AP belt bag with connecting cable” or an STIHL AR battery.
- Using the blower or the battery for purposes for which they were not designed may result in serious or fatal injuries and damage to property.
 - ▶ Use the blower as described in this instruction manual.
 - ▶ Use the battery as described in the instruction manual for the “AP belt bag with connecting cable” or the STIHL AR battery.

4.3 The Operator

⚠ WARNING

- Users who have had no instruction cannot recognize or assess the risks involved in using the blower. The user or other persons may sustain serious or fatal injuries.



- ▶ Read, understand and save the instruction manual.

- ▶ If you pass the blower on to another person: Always give them the instruction manual.
- ▶ Make sure the user meets the following requirements:
 - The user must be rested.
 - The user must be in good physical condition and mental health to operate and work with the blower. If the user’s physical, sensory or mental ability is

restricted, he or she may work only under the supervision of or as instructed by a responsible person.

- The user is able to recognize and assess the risks involved in using the blower.
 - The user must be of legal age or is being trained in a trade under supervision in accordance with national rules and regulations.
 - The user has received instruction from a STIHL servicing dealer or other experienced user before working with the blower for the first time.
 - The user must not be under the influence of alcohol, medication or drugs.
- ▶ If you have any queries: Contact a STIHL servicing dealer for assistance.

4.4 Clothing and Equipment

⚠ WARNING

- Long hair can be sucked into the blower during operation. This can result in serious injuries.



- ▶ Tie up long hair so that it is above shoulder level.

- Objects can be thrown through the air at high speed during operation. This can result in personal injury.



- ▶ Wear close-fitting safety glasses. Suitable glasses that have been tested and labeled in accordance with EN 166 or national standards are available from retailers.

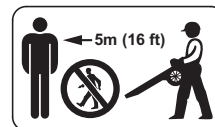
- ▶ Wear long trousers.

- Dust can be whipped up during operation: Whipped up dust can damage the respiratory passages and cause allergic reactions.
 - ▶ If dust is generated: Wear a dust respirator mask.
- Unsuitable clothing can snag on wood, brush or the blower. Not wearing suitable clothing may result in serious injury.
 - ▶ Wear snug-fitting clothing.
 - ▶ Do not wear a scarf or jewelry.
- Wearing unsuitable footwear may cause you to slip or stumble. This can result in personal injury.
 - ▶ Wear sturdy enclosed footwear with non-slip soles.

4.5 Working Area and Surroundings

⚠ WARNING

- Bystanders, children and animals are not aware of the dangers of the blower and objects being thrown into the air and cannot assess them. This may result in serious injury to bystanders, children and animals and damage to property.



- ▶ Do not allow bystanders, children or animals within 5 meters of the work area.

- ▶ Maintain a clearance of 5 meters from objects.
- ▶ Do not leave the blower unattended.
- ▶ Ensure that children cannot play with the blower.
- Electrical components of the blower can produce sparks. Sparks may cause fires and explosions in highly flammable or explosive environments. Persons may be seriously or fatally injured and property may be damaged.
 - ▶ Do not work in a highly flammable or explosive environment.

4.6 Safe condition

The blower is in a safe condition if the following conditions are fulfilled:

- The blower is undamaged.
- The blower is clean.
- The controls function properly and have not been modified.
- Original STIHL accessories are fitted.
- The accessories are correctly attached.

WARNING

- If not in safe condition, components may no longer operate correctly and safety devices may be disabled. This may result in serious or fatal injury to people.
 - ▶ Never use a damaged blower.
 - ▶ If the blower is dirty: Clean the blower.
 - ▶ Do not modify the blower. Exception: Mounting a nozzle approved for this blower model.
 - ▶ If the controls do not function properly: Do not work with the blower.
 - ▶ Fit original STIHL accessories designed for this blower model.
 - ▶ Attach accessories as described in this User Manual or in the User Manual for the accessories.
 - ▶ Do not insert objects into the openings in the blower.
 - ▶ Replace worn or damaged labels.
 - ▶ If you have any doubts, be sure to consult a STIHL dealer.

4.7 Operation

WARNING

- The user cannot concentrate on the work in certain situations. The user may stumble, fall and be seriously injured.
 - ▶ Work calmly and carefully.
 - ▶ If light and visibility are poor: Do not work with the blower.
 - ▶ Operate the blower alone.
 - ▶ Do not work above shoulder height.
 - ▶ Watch out for obstacles.
 - ▶ Stand on the ground while working and keep a good balance. If it is necessary to work at heights: Use a lift bucket or a safe platform.
 - ▶ If you begin to feel tired: Take a break.
 - ▶ Blow sweep with the wind.
- Objects can be thrown through the air at high speed during operation. Bystanders and animals may be injured and damage to property may occur.
 - ▶ Do not direct the air blast towards bystanders, animals or objects.



- If the behavior of the blower changes during operation or feels unusual, it may no longer be in a safe condition. This can result in serious injuries and damage to property.
 - ▶ Stop work, pull the connecting cable plug out of the socket and contact your STIHL servicing dealer.
- Blower vibrations may occur during operation.
 - ▶ Take regular breaks.
 - ▶ If signs of circulation problems occur: Seek medical advice.
- The dust whipped up may cause the blower to be electrostatically charged. In certain conditions (e.g. dry environment) the blower may discharge suddenly and

emit sparks. Sparks may cause a fire or an explosion in an easily combustible or explosive environment. This can result in serious or fatal injuries and damage to property.

- ▶ Do not work in an easily combustible or explosive environment.

4.8 Transporting

⚠ WARNING

- The blower can turn over or move while being transported. This may result in personal injuries and damage to property.



- ▶ Pull the connecting cable plug out of the socket.

- ▶ Secure the blower with lashing straps, belts or a net to prevent it turning over and moving.

4.9 Storing

⚠ WARNING

- Children are not aware of and cannot assess the dangers of a blower and can be seriously injured.



- ▶ Pull the connecting cable plug out of the socket.

- ▶ Store the blower out of the reach of children.

- Dampness can corrode the electrical contacts on the blower and metal components. The blower may be damaged.



- ▶ Pull the connecting cable plug out of the socket.

- ▶ Store the blower in a clean and dry condition.

4.10 Cleaning, Maintenance and Repair

⚠ WARNING

- The blower may start unintentionally if the connecting cable plug remains inserted during cleaning, maintenance or repair operations. There is a risk of serious injury to people and damage to property.



- ▶ Pull the connecting cable plug out of the socket.

- Harsh detergents, cleaning with a water jet or sharp objects can damage the blower. If the blower is not cleaned as described in this instruction manual, components may no longer function properly or safety devices may be rendered inoperative. They may cause serious injury to persons.

- ▶ Clean the blower as described in this instruction manual.

- If the blower is not serviced or repaired correctly, components may no longer function properly or safety devices may be rendered inoperative. There is a risk of serious or fatal injury.






- ▶ Do not attempt to service or repair the blower.

- ▶ If the blower needs to be serviced or repaired: Contact your STIHL servicing dealer for assistance.

5 Preparing the Blower for Operation

5.1 Preparing the Blower for Operation

The following steps must be performed before commencing work:

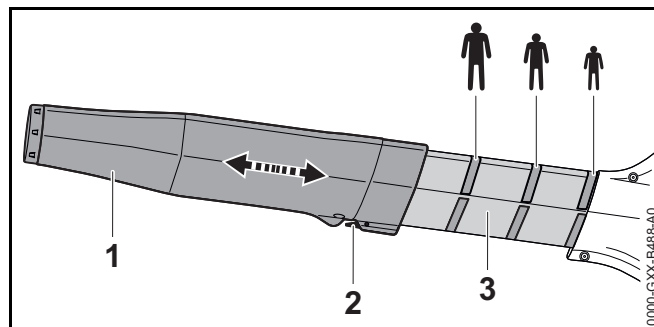
- ▶ Ensure that the following components are in safe condition:
 - Blower,  4.6.
 - Battery as described in the STIHL AR battery's instruction manual or in the user instructions for the "AP belt bag with connecting cable".
- ▶ Check the battery as described in the STIHL AR battery's instruction manual or in the user instructions for the "AP belt bag with connecting cable".
- ▶ Fully charge battery as described in the User Manual for chargers STIHL AL 101, 300, and 500.
- ▶ Clean blower,  14.
- ▶ Adjust nozzle,  6.1.
- ▶ Put on and adjust the STIHL AR battery, carrying system or "AP belt bag with connecting cable",  6.
- ▶ Check the controls,  9.1.
- ▶ If it is not possible to carry out these steps: do not use the blower. Consult a STIHL servicing dealer.

6 Adjusting Blower for User

6.1 Adjusting the Nozzle

The nozzle can be set in three different positions to suit the height and reach of the user. The positions are marked on the blower tube.

- ▶ Switch off the blower and pull out the connecting cable plug.

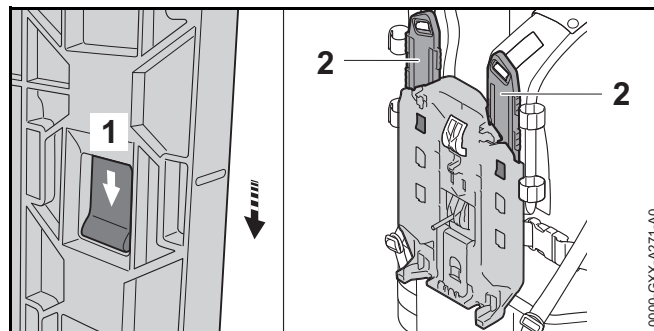


- ▶ Depress the lever (2) and hold it depressed.
- ▶ Push nozzle (1) into required position on blower tube (3).
- ▶ Release the lever (2).
Move the nozzle (1) back and forth until the lever (2) snaps into place.

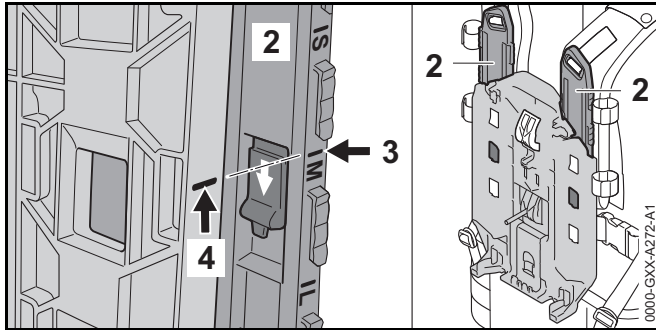
6.2 Using with STIHL AR L Battery

6.2.1 Adjusting Carrying System to Suit User's Height

The carrying system can be set to positions S, M or L to suit the user's height.



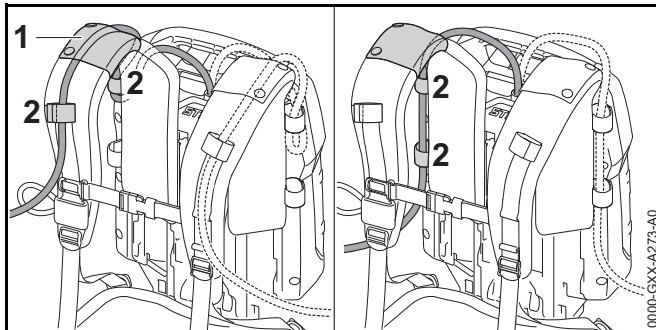
- ▶ Depress the locking tab (1) and push it in direction of arrow.
- ▶ Remove the slide (2).



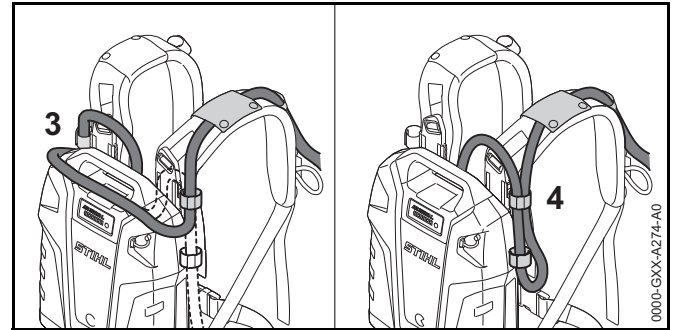
- ▶ Line up mark (3) with mark (4).
- ▶ Fit the slide (2).
- ▶ Pull the slide (2) up (in opposite direction to arrow). The slide (2) engages with a click.
- ▶ Set slide (2) to same position on left and right shoulder straps.

6.2.2 Fitting and Adjusting the Connecting Cable

The connecting cable can be fitted and adjusted to suit the user's height, different cordless products and the application.



The connecting cable can be secured in position by the guide (1) on the harness and the fasteners (2), or on the side of the backplate with the fasteners (2).

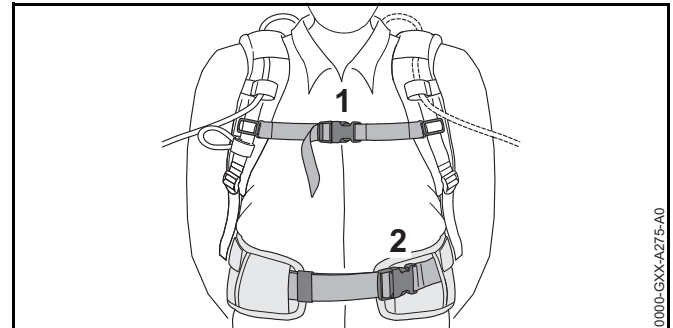


The length of the connecting cable can be adjusted by making a loop on the battery (3) or at one side (4).

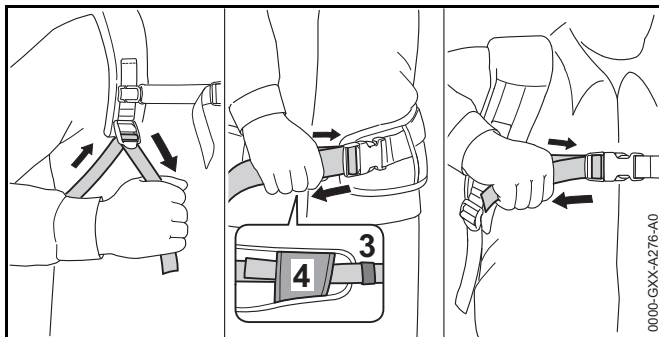
- ▶ Fit the connecting cable so that has no kinks and is as short as possible without hindering your work.

6.2.3 Fitting and Adjusting the Carrying System

- ▶ Put the battery on your back.



- ▶ Close buckle (2) on the waist belt.
- ▶ Close buckle (1) on the chest strap.



- ▶ Tighten the straps until the waist belt fits snugly on your hips and the back padding is against your back.
- ▶ Thread the end of the waist belt through the loops (3 and 4).

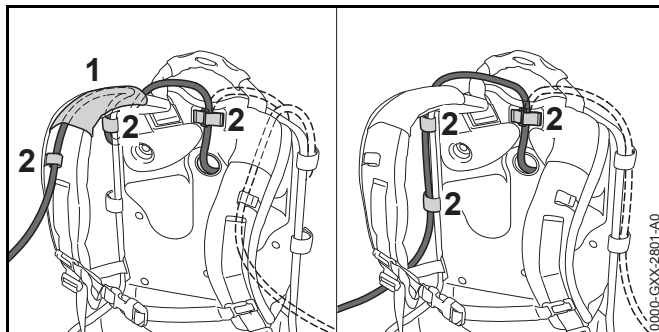
6.2.4 Removing the Carrying System

- ▶ Loosen the straps.
- ▶ Open the buckles on the chest strap and waist belt.
- ▶ Take the battery off your back.

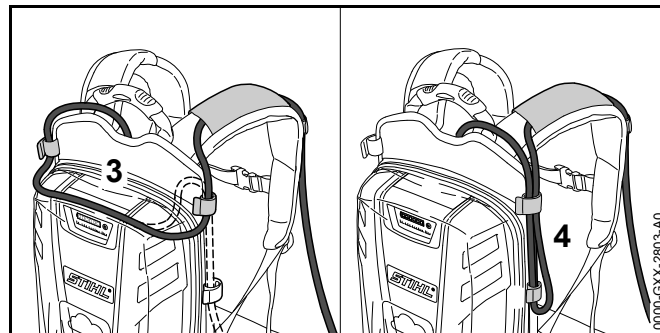
6.3 Using with STIHL AR Battery

6.3.1 Fitting and Adjusting the Connecting Cable

The connecting cable can be fitted and adjusted to suit the user's size, different cordless products and the application.



The connecting cable can be secured in position by the guide (1) on the harness and the fasteners (2), or on the side of the backplate with the fasteners (2).

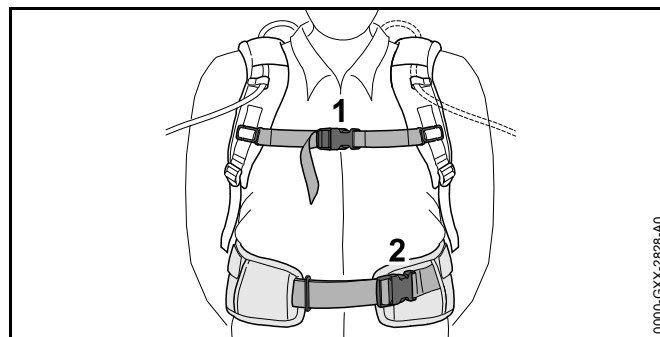


The length of the connecting cable can be adjusted by making a loop on the backplate (3) or at one side (4).

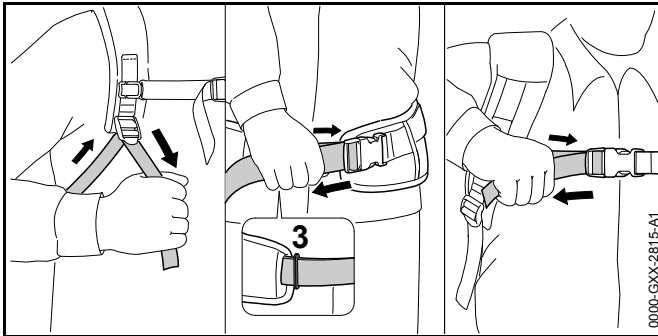
- ▶ Fit the connecting cable so that it is as short as possible without hindering your work.

6.3.2 Putting On and Adjusting the Carrying System

- ▶ Place battery on your back.



- ▶ Close fastening (2) of hip belt.
- ▶ Close fastening (1) of chest strap.



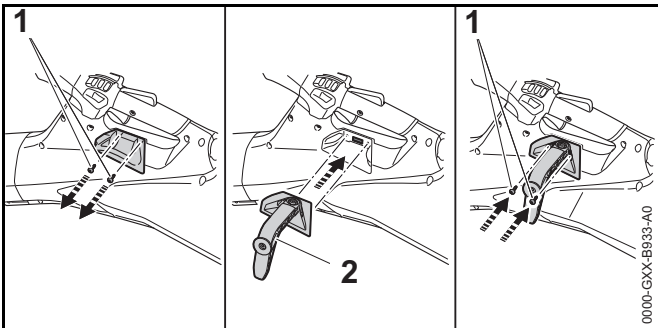
- ▶ Tighten up the straps until the hip belt sits snugly on your hips and the back padding sits snugly on your back.
- ▶ Thread end of hip belt through the loop (3).

6.3.3 Removing the Carrying System

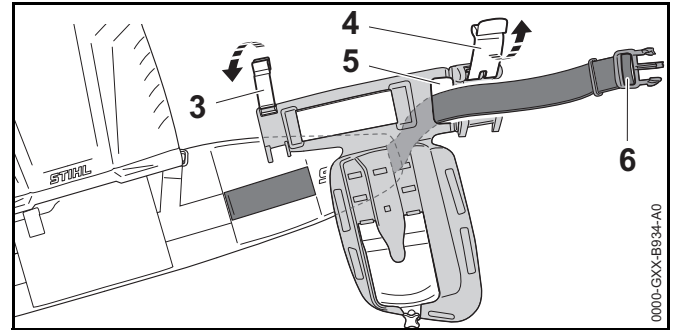
- ▶ Loosen the straps.
- ▶ Open the buckles on the chest strap and waist belt.
- ▶ Take the battery off your back.

6.4 Fitting the Deluxe Carrying System

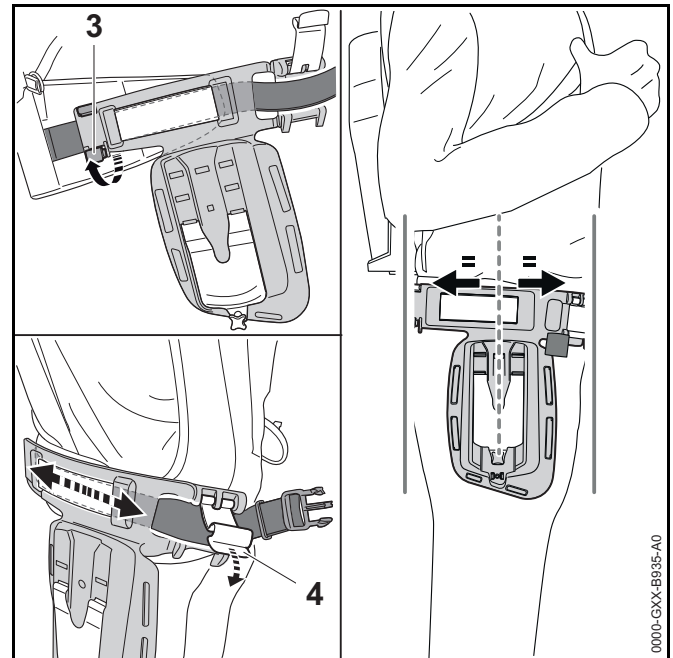
The deluxe carrying system serves to secure the blower to the STIHL AR L or AR battery.



- ▶ Take out the screws (1).
- ▶ Insert holder (2).
- ▶ Insert screws (1) and tighten them.

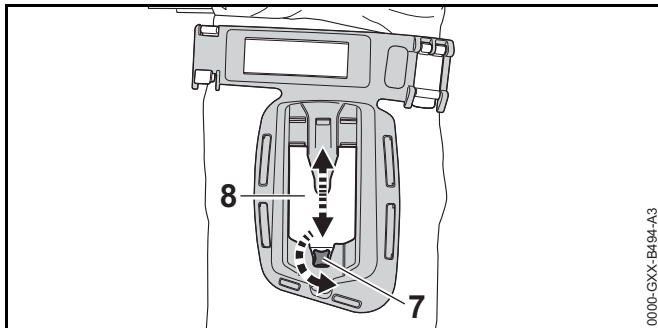


- ▶ Open the buckles (3 and 4).
- ▶ Guide the belt (6) through the opening (5) from behind.

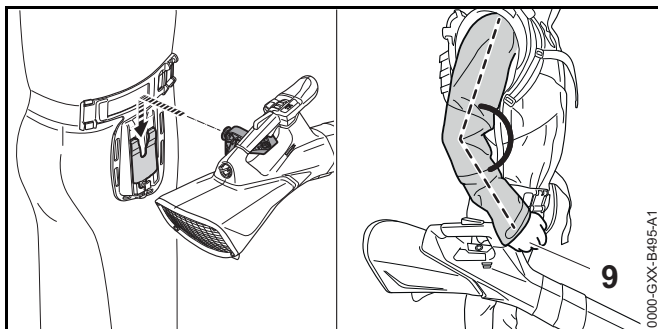


- ▶ Close the buckle (3).
The buckle (3) engages with an audible click. The belt is located on the back between the buckle (3) and the deluxe carrying system.

- ▶ Move the comfort support system so that it is centered on the side of the thigh.
- ▶ Close the buckle (4).
The buckle (4) engages with an audible click and the deluxe carry system is secured.



- ▶ Remove the screw (7).
- ▶ Adjust plate (8) to suit user's height.
- ▶ Insert the screw (7) and secure it firmly.

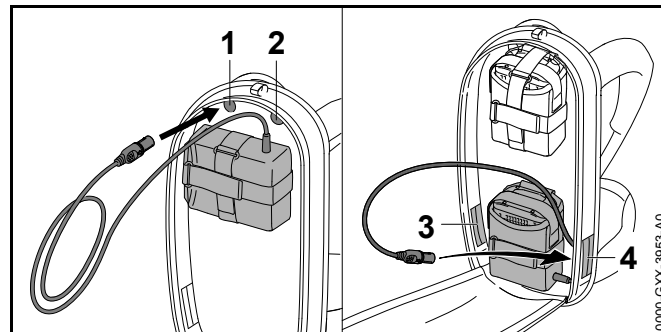


- ▶ Attach the blower to the deluxe carrying system.
The height of the plate (8) is correct when the user's arm is slightly bent while guiding the blower by the front gripping point (9).

6.5 Using with Carrying System

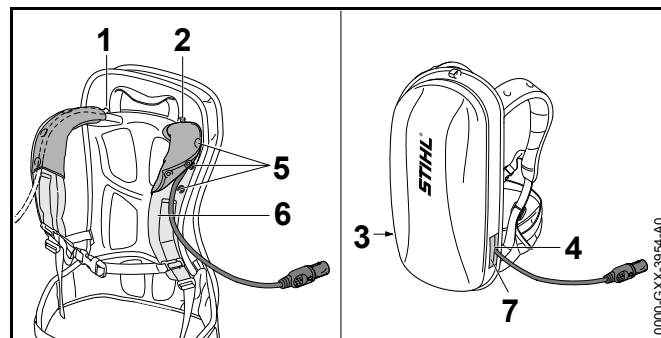
6.5.1 Fitting and Adjusting the Connecting Cable

The connecting cable can be fitted and adjusted to suit the user's size and the application.



The connecting cable can be fitted through the following openings:

- the upper left opening (1)
- the upper right opening (2)
- the lower left opening (3)
- the lower right opening (4)

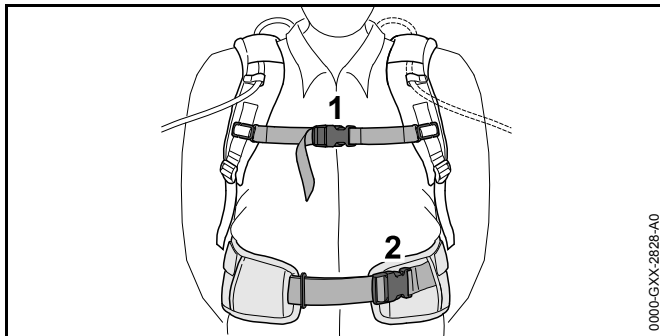


- ▶ If the connecting cable is fitted through the upper left opening (1) or the upper right opening (2):
 - ▶ Open the press studs (5).
 - ▶ Lay the connecting cable over the shoulder strap (6).

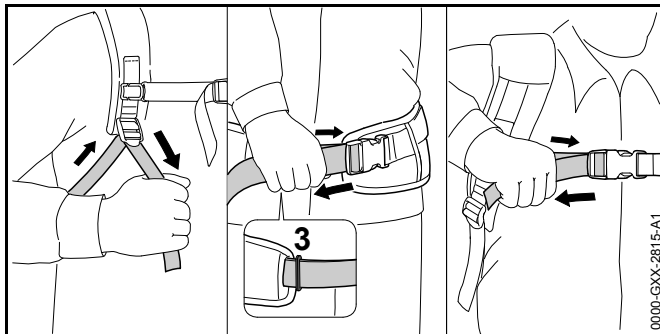
- ▶ Close the press studs (5).
- ▶ If the connecting cable is fitted through the lower left opening (3) or the lower right opening (4): Seal the opening you use (3 or 4) with the hook and loop fastener (7).
- ▶ Arrange the connecting cable so that it is as short as possible without hindering your work.

6.5.2 Fitting and Adjusting the Carrying System

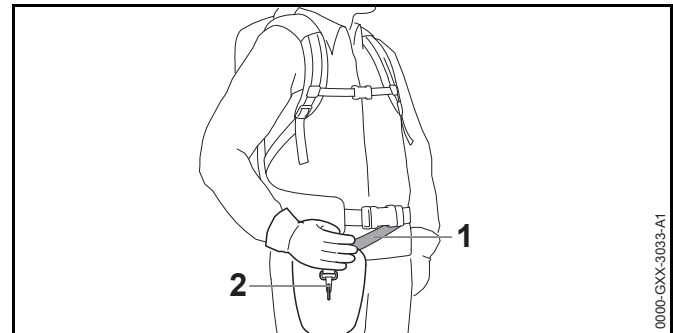
- ▶ Put the battery on your back.



- ▶ Close buckle (2) on the waist belt.
- ▶ Close buckle (1) on the chest strap.



- ▶ Tighten the straps until the waist belt fits snugly on your hips and the back padding is against your back.
- ▶ Thread the end of the waist belt through the loop (3).
- ▶ Fit the hip pad as described in the instructions supplied with the hip pad.

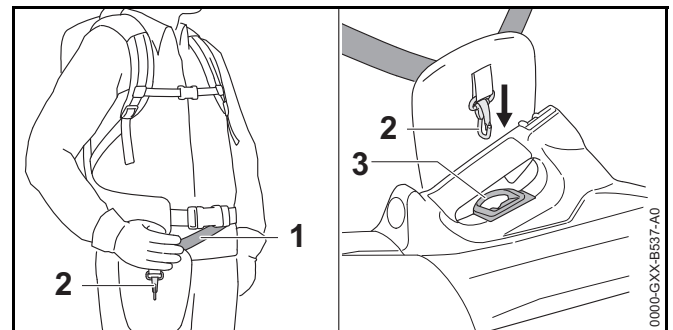


- ▶ Adjust the strap (1) so that the carabiner (2) is about a hand's width below your right hip.

6.6 Fitting the Hip Pad

The hip pad serves to secure the blower to the STIHL AR L or AR battery or the carrying system with built-in "AP belt bag with connecting cable".

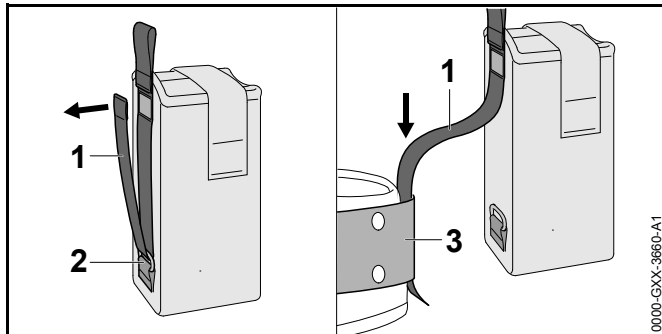
- ▶ Fit the hip pad as described in the instructions supplied with the hip pad.



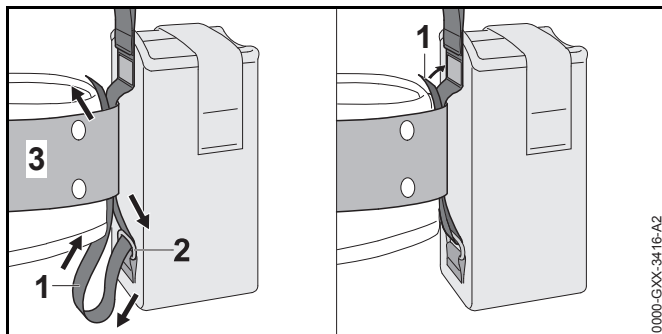
- ▶ Adjust the strap (1) so that the carabiner (2) is about a hand's width below your right hip.
- ▶ Connect the carrying ring (3) to the carabiner (2).

6.7 Using with Battery Belt

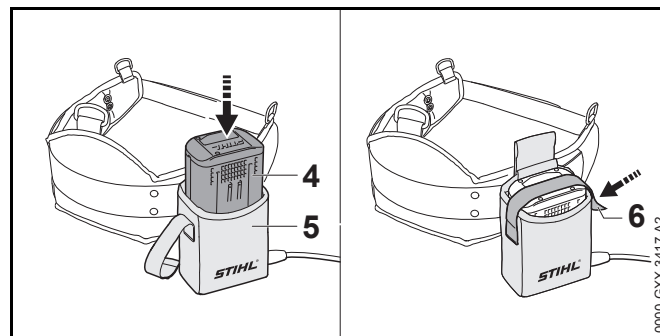
6.7.1 Attaching the "Belt bag AP with connecting cord"



- ▶ Open the Velcro® fastening on the strap (1) and pull the strap (1) out of the ring (2).
- ▶ Feed strap (1) through belt (3).



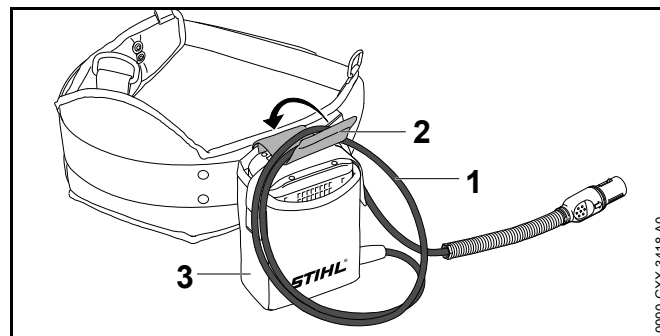
- ▶ Feed strap (1) back through the ring (2) and the belt (3).
- ▶ Close the Velcro® fastening on the strap (1).



- ▶ Push battery (4) as far as it will go into the belt bag (5). A short beep will sound.
- ▶ Secure battery (4) with the Velcro® fastening (6).

6.7.2 Adjusting the Connecting Cable

The connecting cable can be fitted and adjusted to suit the user's size and the application.

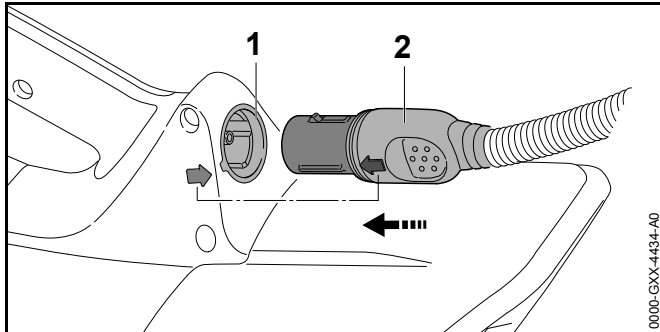


The length of the connecting cable can be adjusted by making a loop (1) and securing it to the belt bag (3) with the fastener (2).

- ▶ Arrange the connecting cable so that it is as short as possible without hindering your work.

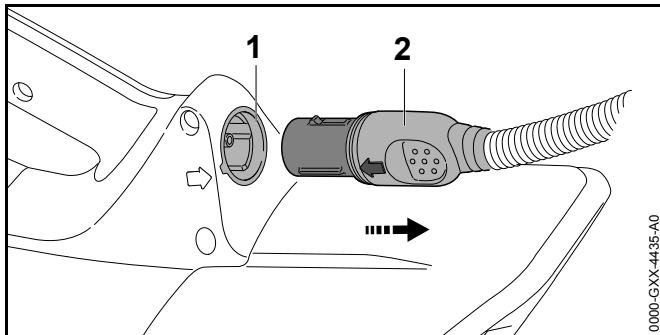
7 Inserting and Removing Connecting Cable Plug

7.1 Inserting the Connecting Cable Plug



- ▶ Hold connecting cable plug (2) so that the arrow on its side lines up with the arrow on the socket (1).
- ▶ Insert the connecting cable plug (2) in the socket (1). The plug (2) engages in position.

7.2 Removing the Connecting Cable Plug

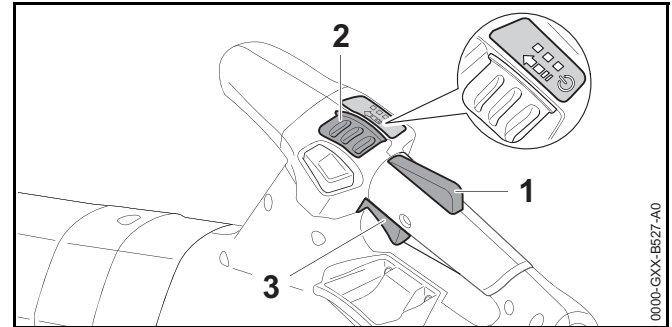


- ▶ Grip the connecting cable plug (2) with your hand.
- ▶ Pull the plug (2) out of the socket (1).

8 Switching the Blower On/Off

8.1 Switching On the Blower

- ▶ Hold the blower firmly with your right hand on the control handle – wrap your thumb around the handle.



- ▶ Press the trigger lockout (1) with your hand and keep it pressed.
- ▶ Push release slide (2) in direction of arrow with your thumb and allow it to spring back. The LEDs illuminate to indicate the power level at last use.
- ▶ Press the trigger (3) with your index finger and keep depressed. The blower accelerates and air flows out of the nozzle.

The further the trigger switch (3) is depressed, the more air flows out of the nozzle.

The blower can also be switched on by first pressing the release slide (2) and pressing the trigger lockout (1) within 5 seconds (as long as the LEDs are flashing). The trigger (3) is now unlocked and the blower is ready for use.

The LEDs continue flashing for 5 seconds after the trigger (3) and trigger lockout (1) are released after switch-on. As long as the LEDs are flashing, the blower can be switched on again without having to operate the release slide (2).

8.2 Switching Off

- ▶ Release the trigger and trigger lockout lever. No air flows from the nozzle.

- ▶ If air continues to flow from nozzle: Pull connecting cable plug out of the socket and contact your STIHL dealer for assistance.
Blower has a malfunction.

9 Checking the Blower

9.1 Checking the Controls

Trigger

- ▶ Pull the connecting cable plug out of the socket.
- ▶ Attempt to pull the trigger without depressing the lockout lever.
- ▶ If the trigger can be pulled: Do not use the blower and contact your STIHL servicing dealer for assistance.
The trigger lockout is faulty.
- ▶ Push release slide in direction of arrow with your thumb and allow it to spring back.
- ▶ Depress the trigger lockout lever and hold it in that position.
- ▶ Pull the trigger.
- ▶ Release the trigger and trigger lockout lever.
- ▶ If the trigger or trigger lockout lever is stiff or does not spring back to the idle position: Do not use the blower and contact your STIHL servicing dealer for assistance.
Release slide or trigger lockout is faulty.

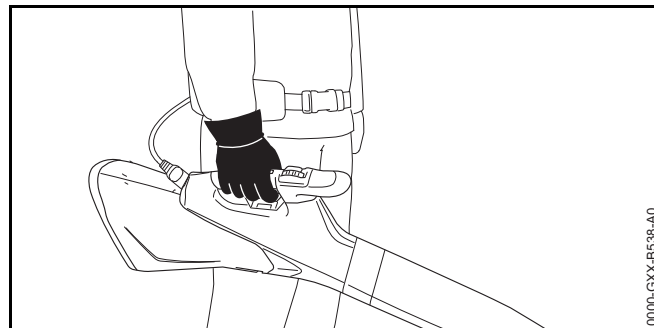
Switching On

- ▶ Insert the connecting cable plug.
- ▶ Depress the trigger lockout lever with your hand and hold it depressed.
- ▶ Push release slide in direction of arrow with your thumb and allow it to spring back.
- ▶ Pull the trigger and hold it there.
Air flows from the nozzle.

- ▶ If 3 LEDs on the battery flash red: Pull connecting cable plug out of the socket and contact your STIHL dealer for assistance.
There is a malfunction in the blower.
- ▶ Release the trigger.
No air flows from the nozzle.
- ▶ If air continues to flow from nozzle: Pull connecting cable plug out of the socket and contact your STIHL dealer for assistance.
Blower has a malfunction.

10 Operating the Blower

10.1 Holding and Guiding the Blower

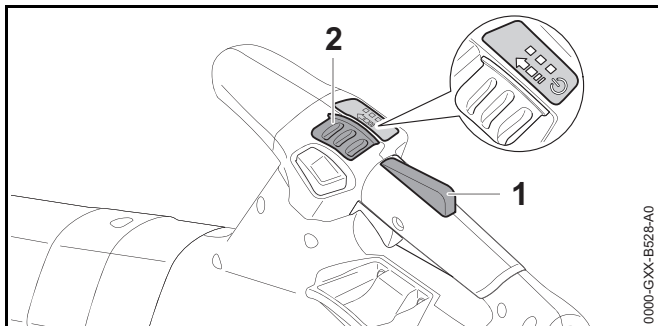


- ▶ Hold the blower firmly with your right hand on the control handle – wrap your thumb around the handle.
- ▶ If a deluxe carrying system or support cushion is used, attach the blower to it and manually guide the blower using the handle.

10.2 Setting the performance level

Depending on the application, 3 power levels can be set. The LEDs indicate the selected power level. The higher the power level, the higher the volume of air that flows from the nozzle.

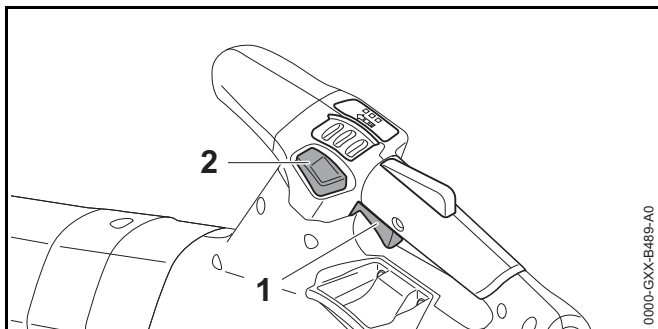
The selected power level affects the battery's runtime. The lower the power level, the longer the runtime.



- ▶ Press and hold the trigger lockout (1).
- ▶ Push release slide (2) in direction of arrow with your thumb and allow it to spring back. The LEDs illuminate to indicate the selected power level.
- ▶ Push the release slide (2) forward and allow it to spring back. This selects the next power level. After the third performance level, it starts again with the first performance level.
- ▶ Push the release slide (2) forward and allow it to spring back as many times as necessary to select the required power level.

10.3 Activating and Deactivating the Power Lock

The power lock can be activated independent of the selected power level. Any required blowing force can be kept constant by using the power lock button.



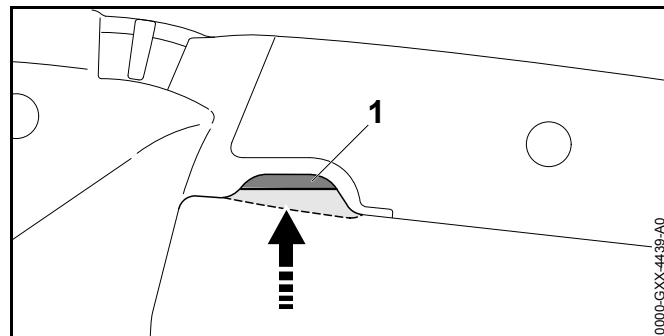
- ▶ Switch on the blower.

- ▶ Select the power level.
- ▶ Use trigger (1) to adjust blowing force.
- ▶ Depress the power lock button (2). This locks the blowing force in that position. You can let go of the trigger.

To deactivate the power lock, depress the power lock button (2) again.

10.4 Activating the Boost Function

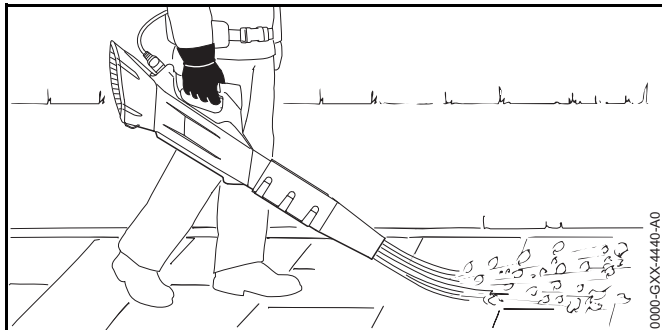
The boost function can be activated independent of the selected power level. The blower operates at maximum power when the boost function is activated. The boost function affects the battery's runtime. The longer the boost function is activated, the shorter the battery runtime.



- ▶ Override the trigger's (1) end position and hold it there. The LEDs flash in sequence. The boost function is activated.

The boost function is deactivated when you release the trigger (1). The previously selected power level is restored.

10.5 Blow-Sweeping



- ▶ Point the nozzle at the ground.
- ▶ Walk slowly and steadily forwards.

11 After Finishing Work

11.1 After Finishing Work

- ▶ Switch off the blower and pull the connecting cable plug out of the socket.
- ▶ If the blower is wet: Allow the blower to dry.
- ▶ Clean the blower.

12 Transporting

12.1 Transporting the blower

- ▶ Switch off the blower and pull the connecting cable plug out of the socket.

Carrying the blower

- ▶ Carry blower by the control handle in one hand.

Transporting the blower in a vehicle

- ▶ Secure the blower so that it cannot topple over and cannot move.

13 Storing

13.1 Storing the Blower

- ▶ Switch off the blower and pull the connecting cable plug out of the socket.
- ▶ Observe the following points when storing the blower:
 - Blower must be out of the reach of children.
 - Blower must be clean and dry.

14 Cleaning

14.1 Cleaning the blower

- ▶ Switch off the blower and pull the connecting cable plug out of the socket.
- ▶ Clean blower with a damp cloth.
- ▶ Clean vents with a paintbrush.
- ▶ Clean the shield with a paintbrush or soft brush.

15 Maintenance and Repairs

15.1 Maintenance Intervals

The maintenance intervals are dependent on the environmental and operating conditions. STIHL recommends the following maintenance intervals:

Every 12 months

- ▶ Have the blower checked by a STIHL servicing dealer.

15.2 Servicing and Repairing the Blower

The blower cannot be serviced or repaired by the user.

- ▶ If your blower has a malfunction or is damaged or requires servicing: Contact your STIHL servicing dealer.

16 Troubleshooting

16.1 Troubleshooting the Blower and Battery

Condition	LEDs on Battery	Cause	Remedy
Blower does not start when switched on	1 LED flashes green.	Battery has low charge.	<ul style="list-style-type: none"> ▶ Recharge the battery fully as described in the instruction manual for the STIHL AL 101, 300, 500 chargers.
	1 LED glows red.	Battery too hot or too cold.	<ul style="list-style-type: none"> ▶ Pull the connecting cable plug out of the socket. ▶ Allow battery to cool down or warm up.
	3 LEDs flash red.	There is a malfunction in the blower.	<ul style="list-style-type: none"> ▶ Pull connecting cable plug out of the socket and then refit it. ▶ Switch on the blower. ▶ If 3 LEDs continue to flash red: Do not use the blower and contact your STIHL servicing dealer for assistance.
	3 LEDs glow red.	Blower is too hot.	<ul style="list-style-type: none"> ▶ Pull the connecting cable plug out of the socket. ▶ Allow blower to cool down.
	4 LEDs flash red	There is a malfunction in the battery.	<ul style="list-style-type: none"> ▶ Pull connecting cable plug out of the socket and then refit it. ▶ Switch on the blower. ▶ If 4 LEDs continue to flash red: Do not use the battery and contact your STIHL dealer for assistance.
		No electrical contact between blower and battery.	<ul style="list-style-type: none"> ▶ Pull connecting cable plug out of the socket and then refit it. ▶ If blower still does not start when switched on: Clean contacts of connecting cable as described in the STIHL AR battery's instruction manual or in the user instructions for the "AP belt bag with connecting cable".
		Blower or battery damp.	<ul style="list-style-type: none"> ▶ Allow blower or battery to dry.
		Trigger depressed before operating the release slide.	<ul style="list-style-type: none"> ▶ Switch on the blower as described in this instruction manual.
Blower cuts out during operation	3 LEDs glow red.	Blower is too hot.	<ul style="list-style-type: none"> ▶ Pull the connecting cable plug out of the socket. ▶ Allow blower to cool down.

Condition	LEDs on Battery	Cause	Remedy
		There is a electrical malfunction.	<ul style="list-style-type: none"> ▶ Pull connecting cable plug out of the socket and then refit it. ▶ If blower continues to cut out during operation: Clean contacts of connecting cable as described in the STIHL AR battery's instruction manual or in the user instructions for the "AP belt bag with connecting cable". ▶ Switch on the blower.
Blower runtime is too short		Battery not fully charged.	▶ Recharge the battery fully as described in the instruction manual for the STIHL AL 101, 300, 500 chargers.
		Normal battery life has been exceeded.	▶ Replace the battery.

17 Specifications

17.1 STIHL BGA 200 Blower

- Approved batteries:
 - STIHL AR
 - STIHL AP together with “AP belt bag with connecting cable”
- Blowing force: 21 N
- Maximum air velocity: 84 m/s
- Average air velocity: 70 m/s
- Air flow rate: 940 m³/h
- Weight: 3.2 kg

For battery life see www.stihl.com/battery-life.

17.2 Noise and Vibration Data

K-value (uncertainty) for sound pressure levels is 2 dB(A).
 K-value (uncertainty) for sound power levels is 2 dB(A).
 K-value (uncertainty) for vibration levels is 2 m/s².

STIHL recommends that you wear hearing protection.

- Sound pressure level L_{pA} measured according to EN 50636-2-100: 80 dB(A)
- Sound power level L_{WA} measured according to EN 50636-2-100: 91 dB(A)
- Vibration level a_{hv} measured according to EN 50636-2-100, control handle: 0.7 m/s²

The vibration values quoted above have been measured according to a standardized test procedure and may be used to compare electric power tools. Depending on the type of usage, the vibrations that actually occur may differ from the values quoted. The vibration values quoted may be used for an initial assessment of the user's exposure to vibrations. The actual exposure to vibrations has to be estimated. This

process may also take into account times during which the electric power tool is switched off and times during which it is switched on but running off load.

For information on compliance with Vibration Directive 2002/44/EC visit www.stihl.com/vib.


17.3 REACH

REACH is an EC regulation and stands for the Registration, Evaluation, Authorisation and Restriction of Chemical substances.

For information on compliance with the REACH regulation see www.stihl.com/reach.

18 Spare Parts and Accessories

18.1 Spare parts and accessories

STIHL  These symbols indicate original STIHL spare parts and original STIHL accessories.

STIHL recommends the use of original STIHL spare parts and accessories.

Despite ongoing market observation, STIHL is unable to judge the reliability, safety and suitability of other manufacturers' spare parts and accessories; accordingly, STIHL cannot warrant for the use of those parts.

Original STIHL spare parts and original STIHL accessories are available from STIHL dealers.

19 Disposal

19.1 Disposing of Blower

Contact the local authorities or your STIHL dealer for information on disposal.

Improper disposal can be harmful to health and pollute the environment.

- ▶ Take STIHL products including packaging to a suitable collection point for recycling in accordance with local regulations.
- ▶ Do not dispose with domestic waste.

20 EC Declaration of Conformity

20.1 STIHL BGA 200 Blower

ANDREAS STIHL AG & Co. KG
Badstraße 115
D-71336 Waiblingen
Germany

declare under our sole responsibility that

- Type: Cordless blower
- Manufacturer's brand: STIHL
- Model: BGA 200
- Serial number: BA01

conforms to the specifications of Directives 2011/65/EU, 2006/42/EC, 2014/30/EU and 2000/14/EC and has been developed and built in compliance with the versions of the following standards valid at the production date: EN 55014-1, EN 55014-2, EN 60335-1 and EN 50636-2-100.

The measured and guaranteed equivalent sound power level has been determined in accordance with Directive 2000/14/EC, Annex V.

- Measured sound power level: 91 dB(A)
- Guaranteed sound power level: 93 dB(A)

The technical documents are stored at
ANDREAS STIHL AG & Co. KG Produktzulassung.

The year of construction, the country of manufacture and the machine number are shown on the blower.

Done at Waiblingen, 15.07.2021

ANDREAS STIHL AG & Co. KG

pp



Dr. Jürgen Hoffmann, Director Product Certification & Regulatory Affairs

21 UKCA Declaration of Conformity

21.1 STIHL BGA 200 Blower



ANDREAS STIHL AG & Co. KG
Badstraße 115
D-71336 Waiblingen
Germany

declare under our sole responsibility that

- Type: Cordless blower
- Manufacturer's brand: STIHL
- Model: BGA 200
- Serial number: BA01

conforms to the relevant provisions of UK regulations The Restriction of the Use of Certain Hazardous Substances in Electrical and Electronic Equipment Regulations 2012, Supply of Machinery (Safety) Regulations 2008, Electromagnetic Compatibility Regulations 2016 and Noise Emission in the Environment by Equipment for use Outdoors Regulations 2001 and has been manufactured in

compliance with the following standards in the versions valid on the date of production: EN 55014-1, EN 55014-2, EN 60335-1 and EN 50636-2-100.

The measured and the guaranteed sound power level have been determined in accordance with UK regulation Noise Emission in the Environment by Equipment for use Outdoors Regulations 2001, Schedule 8..

- Measured sound power level: 91 dB(A)
- Guaranteed sound power level: 93 dB(A)

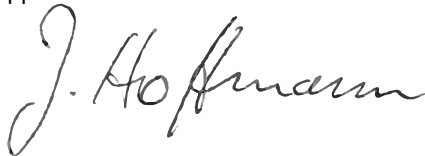
The technical documents are stored at ANDREAS STIHL AG & Co. KG Produktzulassung.

The year of construction, the country of manufacture and the machine number are shown on the blower.

Done at Waiblingen, 15.07.2021

ANDREAS STIHL AG & Co. KG

pp

A handwritten signature in black ink, appearing to read 'J. Hoffmann', written in a cursive style.

Dr. Jürgen Hoffmann, Director Product Certification & Regulatory Affairs

0458-812-0121-B

englisch



www.stihl.com



0458-812-0121-B