

STIHL

STIHL SE 133 ME

Instruction Manual



Contents

1	Introduction	2
2	Guide to Using this Manual	2
2.1	Applicable documents	2
2.2	Symbols used with warnings in the text	3
2.3	Symbols in Text	3
3	Overview	3
3.1	Wet/dry vacuum cleaner	3
3.2	Controls and LED	4
3.3	Accessories provided	5
3.4	Equipment features	5
3.5	Symbols	6
4	Safety Precautions	6
4.1	Warning symbols	6
4.2	Intended use	6
4.3	Requirements concerning the user	7
4.4	Clothing and Equipment	7
4.5	Work area and surroundings	8
4.6	Safe condition	8
4.7	Operation	9
4.8	Connecting to the power supply	9
4.9	Transport	10
4.10	Storage	10
4.11	Cleaning, Servicing and Repairs	11
5	Preparing the wet/dry vacuum cleaner for use	11
5.1	Preparing the wet/dry vacuum cleaner for use	11
6	Assembling the wet/dry vacuum cleaner	11
6.1	Assembling the wet/dry vacuum cleaner	11
6.2	Inserting and removing filter bag	12
6.3	Inserting and removing disposal bag	13
6.4	Fitting and removing suction hose	14
6.5	Fitting and removing hand tube and adapter	14
6.6	Fitting and removing accessories	15
7	Switching the wet/dry vacuum cleaner on and off	15
7.1	Switching on the wet/dry vacuum cleaner	15
7.2	Switching off the wet/dry vacuum cleaner	16
8	Checking the wet/dry vacuum cleaner	16
8.1	Checking the filter	16
8.2	Checking the cooling air filter	17
8.3	Checking monitoring of air velocity in the suction hose	17
8.4	Checking the float	17
9	Using the wet/dry vacuum cleaner	18
9.1	Setting the suction power	18
9.2	Setting the diameter of the suction hose	18
9.3	Picking up dust and dirt	18
9.4	Picking up liquid	18
9.5	Operation with the wet/dry vacuum cleaner being switched on and off automatically by a connected power tool	19
10	After Finishing Work	19
10.1	After finishing work	19
10.2	Emptying the container	20
11	Transporting	20
11.1	Transporting the wet/dry vacuum cleaner	20
12	Storing	20
12.1	Storing the wet/dry vacuum cleaner	20
13	Cleaning	21
13.1	Cleaning the wet/dry vacuum cleaner and accessories	21
14	Maintenance	21
14.1	Cleaning the filter	21
14.2	Cleaning the cooling air filter	22
15	Repairing	22
15.1	Repairing the wet/dry vacuum cleaner	22
16	Troubleshooting	23
16.1	Correcting faults on the wet/dry vacuum cleaner	23
17	Specifications	25

STIHL

This instruction manual is protected by copyright. All rights reserved, especially the rights to reproduce, translate and process with electronic systems.

17.1 Wet/dry vacuum cleaner STIHL SE 133 ME	25
17.2 Extension Cords	25
17.3 Sound and Vibration Levels	25
17.4 REACH	25
18 Spare Parts and Accessories	25
18.1 Spare Parts and Accessories	25
19 Disposal	26
19.1 Disposing of the wet/dry vacuum cleaner	26
20 EC Declaration of Conformity	26
20.1 Wet/dry vacuum cleaner STIHL SE 133 ME	26

1 Introduction

Dear Customer,

Thank you for choosing STIHL. We develop and manufacture our quality products to meet our customers' requirements. The products are designed for reliability even under extreme conditions.

STIHL also stands for premium service quality. Our specialist dealers guarantee competent advice and instruction as well as comprehensive service support.

We thank you for your confidence in us and hope you will enjoy working with your STIHL product.



Dr. Nikolas Stihl

IMPORTANT: READ BEFORE USE AND KEEP IN A SAFE PLACE.

2 Guide to Using this Manual

2.1 Applicable documents

The local safety regulations apply.

- ▶ In addition to this Instruction Manual please read the following documents, make sure you have understood them and keep them in a safe place for future reference:
 - Instruction Manual for the connected electric power tools

2.2 Symbols used with warnings in the text

WARNING

This symbol indicates dangers that can cause serious injuries or death.

- ▶ The measures indicated can avoid serious injuries or death.

NOTICE

This symbol indicates dangers that can cause damage to property.

- ▶ The measures indicated can avoid damage to property.

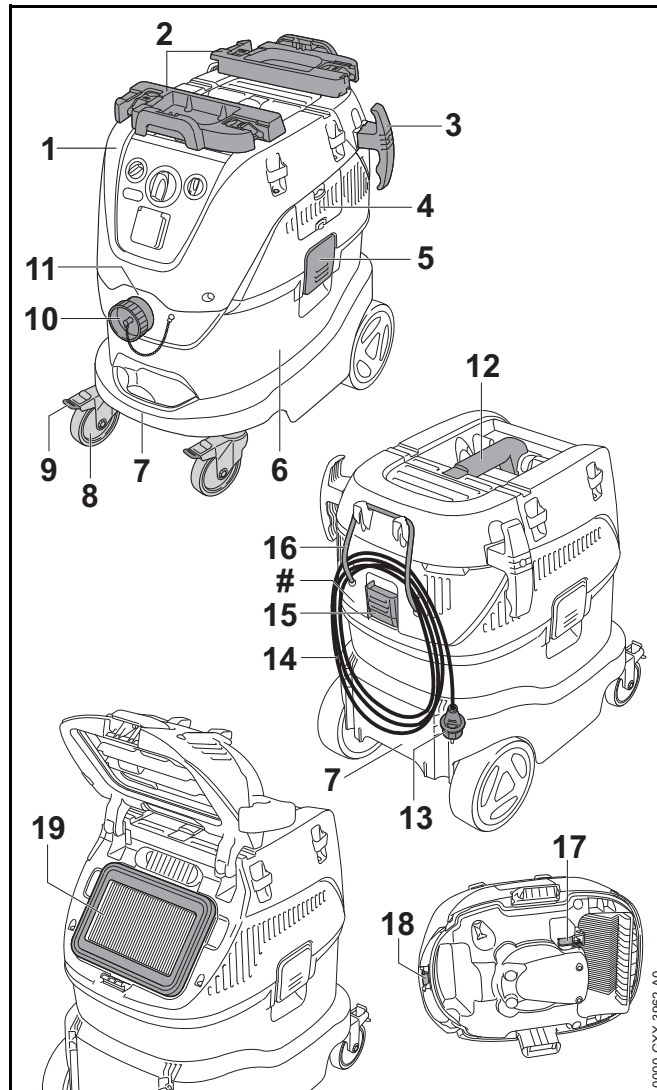
2.3 Symbols in Text



This symbol refers to a chapter in this instruction manual.

3 Overview

3.1 Wet/dry vacuum cleaner



1 Top part

The top part contains the controls, the electric motor and the filters.

2 Retainer

The retainer attaches various makes of tool box to the top part of the wet/dry vacuum cleaner.

3 Holders

The holders are used to store the connecting cord or the suction hose.

4 Cooling air filter

The cooling air filter filters out dust and dirt from the cooling air drawn in by the electric motor.

5 Lock

The lock connects the top part with the container.

6 Container

The container collects dust, dirt and liquid that are picked up.

7 Bottom carrying handles

The bottom carrying handles are used when carrying the wet/dry vacuum cleaner.

8 Front wheels

The front wheels are used to move and transport the wet/dry vacuum cleaner.

9 Brakes

The brakes immobilize the front wheels.

10 Container cap

The container cap closes the suction connector.

11 Suction connector

The suction connector connects the suction hose to the container.

12 Top carrying handle

The top carrying handle is used when carrying and moving the wet/dry vacuum cleaner.

13 Mains plug

The mains plug connects the connecting cord to a socket.

14 Connecting cord

The connecting cord connects the wet/dry vacuum cleaner to the mains plug.

15 Filter housing cap

The filter housing cap closes the filter housing.

16 Rubber strap

The rubber strap is used to store the connecting cord or the suction hose.

17 Float

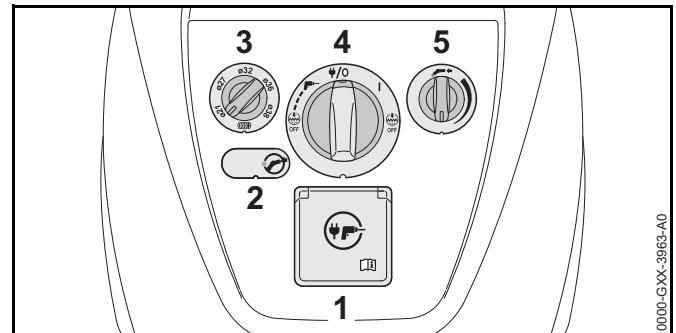
The float switches off the wet/dry vacuum cleaner when the container is full of liquid.

18 Clip

The clip conducts away static charge.

19 Filter

The filter filters out dust and dirt from the air drawn in.

Rating plate with serial number**3.2 Controls and LED****1 Socket**

The socket supplies a connected electric power tool with energy.

2 LED

The LED indicates that the air velocity in the suction hose is too low.

3 Rotary control

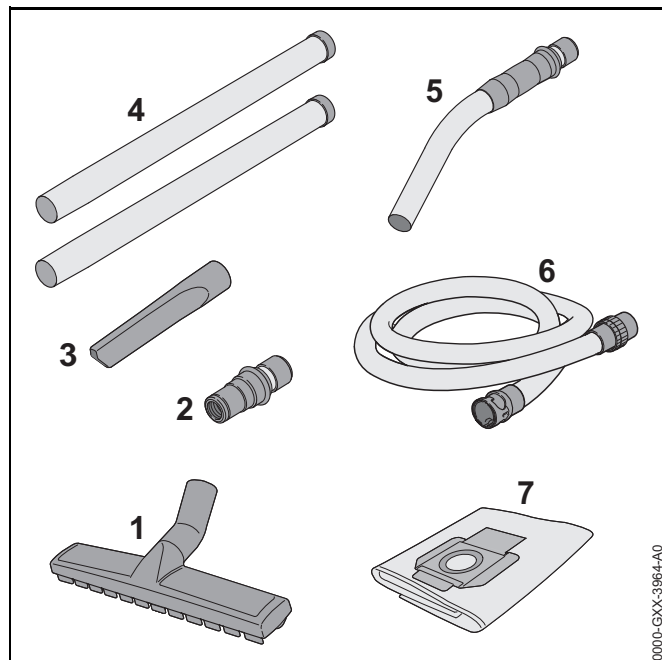
The rotary control is used to set the wet/dry vacuum cleaner to the inside diameter of the attached suction hose.

4 Rotary switch

The rotary switch is used to set the operating modes.

5 Rotary control

The rotary control is used to set the suction power.

3.3 Accessories provided**1 Floor tool**

The floor tool is used for picking up on flat surfaces.

2 Adapter

The adapter connects the suction hose to an electric power tool.

3 Crevice tool

The crevice tool is used for picking up in hard-to-reach places.

4 Suction tube

The suction tube carries dust, dirt and liquid that are picked up to the hand tube.

5 Hand tube

The hand tube connects the suction hose to an accessory.

6 Suction hose

The suction hose carries dust, dirt and liquid that are picked up to the container.

7 Filter bag

The filter bag collects dust and dirt that are picked up and assists with low-dust disposal. The filter bag keeps dust and dirt away from the filter.

3.4 Equipment features**Automatic filter cleaning**

To keep the suction power constant, the wet/dry vacuum cleaner automatically cleans the filter during operation. Loud knocking noises will be heard.

Monitoring the air velocity in the suction hose

The wet/dry vacuum cleaner monitors the air velocity in the suction hose. If the air velocity falls below 20 m/s the LED will light up. Also, after 7 seconds a series of short beeps will be heard.

Anti-static charge system

Static charge is created by friction between the dust picked up and the inside of the suction hose. The wet/dry vacuum cleaner automatically conducts away static charge.

Automatic switching on and off of the wet/dry vacuum cleaner by a connected power tool



The wet/dry vacuum cleaner switches on and off together with a connected electric power tool. When the electric power tool is switched off, the wet/dry vacuum cleaner remains switched on for a further 5 seconds to completely empty the suction hose.

3.5 Symbols

The symbols may appear on the wet/dry vacuum cleaner. Their meaning is as follows:



In this position of the rotary switch the wet/dry vacuum cleaner is switched off and the socket is still live.



In this position of the rotary switch the wet/dry vacuum cleaner is switched on.



In this position of the rotary switch the wet/dry vacuum cleaner is operated together with an electric power tool.



In this position of the rotary switch automatic filter cleaning is switched off.

OFF



This symbol denotes monitoring of the air velocity in the suction hose.



This symbol denotes setting the suction hose diameter.



This symbol denotes setting the suction power.



This symbol denotes automatic filter cleaning.

4 Safety Precautions

4.1 Warning symbols

The warning symbols on the wet/dry vacuum cleaner have the following meanings:



Observe the safety advice and associated measures.



Read the Instruction Manual, make sure you have understood it and keep it in a safe place for reference.



Observe the safety advice and associated measures for Class M dust.

4.2 Intended use

The wet/dry vacuum cleaner STIHL SE 133 ME is designed to be used for:

- Picking up dust, dirt, splinters of glass, chips, sand and similar materials
- Picking up Class M dust. Class M dust comprises for example wood dust, mineral dust and other types of dust with an occupational exposure limit value (ELV) of $\geq 0.1 \text{ mg/m}^3$ in accordance with IEC 60335-2-69
- Picking up liquids

The wet/dry vacuum cleaner is suitable for commercial use, for instance on construction sites, at workshops, factories, hotels, schools, hospitals, in industry, shops, offices and hire firms.

The wet/dry vacuum cleaner STIHL SE 133 ME is not designed to be used for:

- Picking up asbestos
- Picking up dust contaminated by pathogens and mold
- Picking up other types of Class H dust with an occupational exposure limit value (ELV) of $< 0.1 \text{ mg/m}^3$ in accordance with IEC 60335-2-69
- Use as a water pump
- Picking up glowing particles, hot ash, lit cigarettes and similar materials
- Picking up magnesium dust, aluminum dust, dust containing lead and similar materials
- Picking up gasoline, thinner, solvents and similar materials
- Picking up acids, lyes, alkalis and similar materials

▲ WARNING

- Using the wet/dry vacuum cleaner other than for its intended use can result in serious injuries or death and damage to property.
 - ▶ Always use the wet/dry vacuum cleaner as described in this Instruction Manual.

4.3 Requirements concerning the user

▲ WARNING

- Users who have not received instruction are not aware of and cannot assess the dangers of the wet/dry vacuum cleaner. The user or other people may be seriously injured or killed.



- ▶ Read the Instruction Manual, make sure you have understood it and keep it in a safe place for reference.

- ▶ If allowing another person to use the wet/dry vacuum cleaner: Give them the Instruction Manual as well.

- ▶ Make sure that the user fulfills the following requirements:
 - The user is rested.
 - The user is physically, sensorially and mentally able to operate the wet/dry vacuum cleaner and to work with it.
 - The user can identify and assess the dangers of the wet/dry vacuum cleaner.
 - The user is of legal age or the user is trained in a profession in accordance with national regulations under supervision.
 - The user has received instruction from a STIHL servicing dealer or other expert before operating the wet/dry vacuum cleaner for the first time.
 - The user is not under the influence of alcohol, medicines or drugs.
- ▶ If in any doubt: Contact a STIHL servicing dealer.

4.4 Clothing and Equipment

▲ WARNING

- Long hair may be pulled into the wet/dry vacuum cleaner while working. The user may be seriously injured.
 - ▶ Tie back long hair and confine it so that it cannot be pulled into the wet/dry vacuum cleaner.
- Dust may be raised while working. Inhaling dust can be harmful to health and trigger allergic reactions.
 - ▶ Wear a dust mask.
- Unsuitable clothing may be caught in the wet/dry vacuum cleaner. Users not wearing suitable clothing can be seriously injured.
 - ▶ Wear close-fitting clothes.
 - ▶ Take off scarves and jewellery.

- Wearing unsuitable footwear can cause the user to slip and fall. The user may be injured.
 - ▶ Wear sturdy, enclosed footwear with non-slip soles.

4.5 Work area and surroundings

▲ WARNING

- Bystanders, children and animals are not aware of the dangers of the wet/dry vacuum cleaner and cannot assess them. Bystanders, children and animals may be seriously injured.
 - ▶ Keep bystanders, children and animals away from the work area.
 - ▶ Do not leave the wet/dry vacuum cleaner unattended.
 - ▶ Ensure that children cannot play with the wet/dry vacuum cleaner.
- The wet/dry vacuum cleaner is not waterproof. If you work in the rain or in a damp environment, an electric shock may occur. The user may be seriously injured or killed and the wet/dry vacuum cleaner may be damaged.
 - ▶ Do not work in the rain or in a damp environment.
- Electrical components of the wet/dry vacuum cleaner can produce sparks. Sparks can cause fires and explosions in a flammable or explosive environment. This can result in serious injuries or death and damage to property.
 - ▶ Do not work in a flammable environment or in an explosive environment.
- Inhaling discharged air can be harmful to health and trigger allergic reactions.
 - ▶ Provide adequate ventilation.
 - ▶ Observe the regulations applicable in the country concerning the ventilation of rooms and the air exchange rate.

4.6 Safe condition

The wet/dry vacuum cleaner is in a safe condition if the following conditions are fulfilled:

- The wet/dry vacuum cleaner is undamaged.
- The connecting cord, the extension cord and their plugs are undamaged.
- The wet/dry vacuum cleaner is clean and dry.
- The controls work and they have not been modified.
- The filter is in place and undamaged.
- The cooling air filter is in place and undamaged.
- If picking up Class M dust: the filter bag or disposal bag is in place and undamaged.
- If picking up liquid: the float moves easily.
- Only an original STIHL accessory for this wet/dry vacuum cleaner is fitted.
- The accessory is correctly fitted.

▲ WARNING

- Parts that are not in a safe condition cannot function properly and safety devices can be disabled. People can be seriously injured or killed.
 - ▶ Never use a damaged wet/dry vacuum cleaner.
 - ▶ Never use a damaged connecting cord, extension cord or mains plug.
 - ▶ If the wet/dry vacuum cleaner is dirty or wet: Clean the wet/dry vacuum cleaner and allow it to dry.
 - ▶ Do not modify the wet/dry vacuum cleaner.
 - ▶ If the controls do not work: Do not use the wet/dry vacuum cleaner.
 - ▶ Always ensure the filter is in place and undamaged.
 - ▶ Always ensure the cooling air filter is in place and undamaged.
 - ▶ If picking up Class M dust: Always ensure the filter bag or disposal bag is in place and undamaged.

- ▶ Only fit original STIHL accessories for this wet/dry vacuum cleaner.
- ▶ Fit the accessories as described in this Instruction Manual or in the Instruction Manual for the accessory.
- ▶ Do not insert objects into the openings in the wet/dry vacuum cleaner.

4.7 Operation

⚠ WARNING

- In certain situations the user may no longer be able to concentrate on the job. The user may trip, fall and be seriously injured.
 - ▶ Keep calm and plan your work.
 - ▶ In poor light conditions and poor visibility: Do not use the wet/dry vacuum cleaner.
 - ▶ Use the wet/dry vacuum cleaner on your own.
 - ▶ Watch out for obstacles.
 - ▶ Stand safely on the ground and keep your balance.
 - ▶ If you experience signs of fatigue: take a break.
- If the wet/dry vacuum cleaner starts behaving differently or in an unusual way while operating, the wet/dry vacuum cleaner may be in an unsafe condition. This can result in serious injuries and damage to property.
 - ▶ Stop working, unplug the mains plug from the socket and consult a STIHL servicing dealer.
 - ▶ Operate the wet/dry vacuum cleaner upright.
 - ▶ Do not cover the wet/dry vacuum cleaner to ensure sufficient circulation of cooling air.
- Foam may be produced when picking up liquids. The foam may fail to actuate the float and foam may be drawn into the motor. The wet/dry vacuum cleaner may be damaged.
 - ▶ If foam appears: Stop working, unplug the mains plug from the socket and consult a STIHL servicing dealer.

4.8 Connecting to the power supply

Contact with live parts can occur for the following reasons:

- The connecting cord or the extension cord is damaged.
- The mains plug of the connecting cord or extension cord is damaged.
- The socket is not properly installed.

⚠ DANGER


- Contact with live parts can result in electric shock. The user may be seriously injured or killed.
 - ▶ Make sure that the connecting cord, extension cord and their plugs are undamaged.



If the connecting cord or the extension cord is damaged:

- ▶ Do not touch the damaged areas.
- ▶ Unplug the mains plug from the socket.
- ▶ Make sure your hands are dry before touching the connecting cord, extension cord or plugs.
- ▶ Plug the mains plug of the connecting cord or extension cord into a properly installed, fused socket with the correct fuse rating.
- ▶ Connect the wet/dry vacuum cleaner via a residual current circuit breaker (30 mA, 30 ms).
- A damaged or unsuitable extension cord can result in electric shock. People can be seriously injured or killed.
 - ▶ Use an extension cord with the correct cross-section, 17.2.
 - ▶ Only use an extension cord which is splash-proof and approved for outdoor use.
 - ▶ Use an extension cord that has the same characteristics as the connecting cord of the wet/dry vacuum cleaner, 17.1.

⚠ WARNING

- During operation, an incorrect mains voltage or incorrect mains frequency may result in an overvoltage in the wet/dry vacuum cleaner. The wet/dry vacuum cleaner may be damaged.
 - ▶ Make sure that the mains voltage and the mains frequency of the power supply match the data on the rating plate of the wet/dry vacuum cleaner.
- If an electric power tool with too high a power consumption is connected to the socket of the wet/dry vacuum cleaner, electrical components may become overloaded during working. The electrical components may heat up and a fire may break out. This can result in serious injuries or death and damage to property.
 - ▶ Make sure that the maximum power rating of the electric power tool does not exceed the maximum power consumption of the socket,  17.1.
- Electrical components may be overloaded during operation if more than one electric power tool is connected to a multiple socket. The electrical components may heat up and a fire may break out. This can result in serious injuries or death and damage to property.
 - ▶ Only ever connect one wet/dry vacuum cleaner to one socket.
 - ▶ Do not connect a wet/dry vacuum cleaner to multiple sockets.
- An incorrectly routed connecting cord or extension cord may be damaged and people may trip over it. People may be injured and the connecting cord or extension cord may be damaged.
 - ▶ Route and mark the connecting cord and extension cord so that people will not trip over them.
 - ▶ Route the connecting cord and extension cord so that they are not under tension or tangled.
 - ▶ Route the connecting cord and extension cord so that they will not be damaged, kinked or crushed and will not be chafed.
 - ▶ Protect the connecting cord and extension cord from heat, oil and chemicals.

- ▶ Lay the connecting cord and extension cord on a dry surface.
- The extension cord warms up in operation. If that heat cannot escape, it may cause a fire.
 - ▶ If using a cable reel: Completely unroll the cable reel.

4.9 Transport

⚠ WARNING

- The wet/dry vacuum cleaner may topple over or move during transport. This can result in injuries and damage to property.
 - ▶ Unplug the mains plug of the wet/dry vacuum cleaner from the socket.
 - ▶ Empty the container and dispose of its contents in accordance with the applicable regulations.
 - ▶ Transport the wet/dry vacuum cleaner upright.
 - ▶ Engage the front wheel brake.
 - ▶ Secure the wet/dry vacuum cleaner using lashing straps, belts or a net so that it cannot topple over and cannot move.

4.10 Storage

⚠ WARNING

- Children are not aware of and cannot assess the dangers of the wet/dry vacuum cleaner. Children can be seriously injured.
 - ▶ Unplug the mains plug of the wet/dry vacuum cleaner from the socket.
 - ▶ Store the wet/dry vacuum cleaner out of the reach of children.
- Moisture may cause the electrical contacts on the wet/dry vacuum cleaner and metal components to corrode. The wet/dry vacuum cleaner may be damaged.
 - ▶ Store the wet/dry vacuum cleaner in a clean, dry state.

4.11 Cleaning, Servicing and Repairs

⚠ WARNING

- If the mains plug is plugged into a socket when carrying out cleaning, servicing or repairs, it is possible for the wet/dry vacuum cleaner to be switched on inadvertently. This can result in serious injuries and damage to property.
 - ▶ Unplug the mains plug of the wet/dry vacuum cleaner from the socket.
- Harsh detergents, cleaning with a water jet or pointed objects can damage the wet/dry vacuum cleaner. If the wet/dry vacuum cleaner is not properly cleaned, parts may not function correctly and safety devices can be disabled. People can be seriously injured.
- If compressed air is used to clean the wet/dry vacuum cleaner or the filters, dust which is harmful to health may be raised and breathed in. Inhaling dust can be harmful to health and trigger allergic reactions.
 - ▶ Clean the wet/dry vacuum cleaner and filters as described in this Instruction Manual.
- If the wet/dry vacuum cleaner is not properly serviced or repaired, parts may not function correctly and safety devices can be disabled. People can be seriously injured or killed.
 - ▶ Do not attempt to service or repair the wet/dry vacuum cleaner yourself.
 - ▶ If the battery is faulty or damaged: Have the connecting cord replaced by a STIHL servicing dealer.
 - ▶ If the wet/dry vacuum cleaner needs to be serviced or repaired: Contact a STIHL servicing dealer.

5 Preparing the wet/dry vacuum cleaner for use

5.1 Preparing the wet/dry vacuum cleaner for use

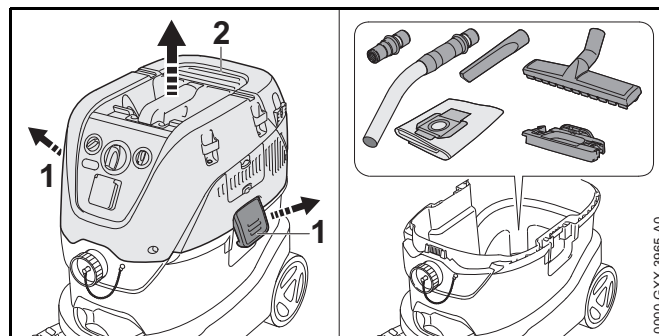
The following steps must be carried out every time before starting work:

- ▶ Make sure that the wet/dry vacuum cleaner and the connecting cord are in a safe condition, 4.6.
- ▶ Clean the wet/dry vacuum cleaner, 13.1.
- ▶ Attach the suction hose, 6.4.1.
- ▶ Check the filter, 8.1.
- ▶ Check the cooling air filter, 8.2.
- ▶ If using an accessory: Fit accessory, 6.6.
- ▶ Plug the mains plug of the wet/dry vacuum cleaner into an easily accessible socket.
- ▶ If it is not possible to carry out these steps: Do not use the wet/dry vacuum cleaner. Consult a STIHL servicing dealer.

6 Assembling the wet/dry vacuum cleaner

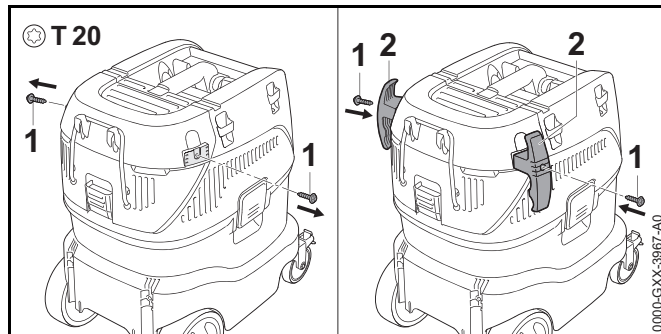
6.1 Assembling the wet/dry vacuum cleaner

The accessory supplied is inside the cardboard box and inside the container.



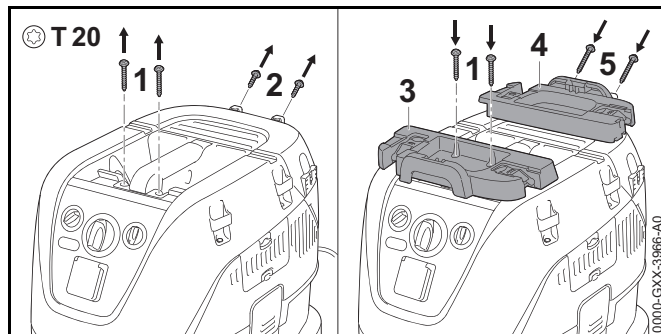
- ▶ Release the container locks (1).
- ▶ Lift off the top part (2).
- ▶ Remove accessory.
- ▶ Replace top part (2) in position.
- ▶ Fasten the container locks (1).

Fitting the holder for the connecting cord or the suction hose



- ▶ Undo screws (1).
- ▶ Fit holder (2).
- ▶ Insert screws (1) and tighten.

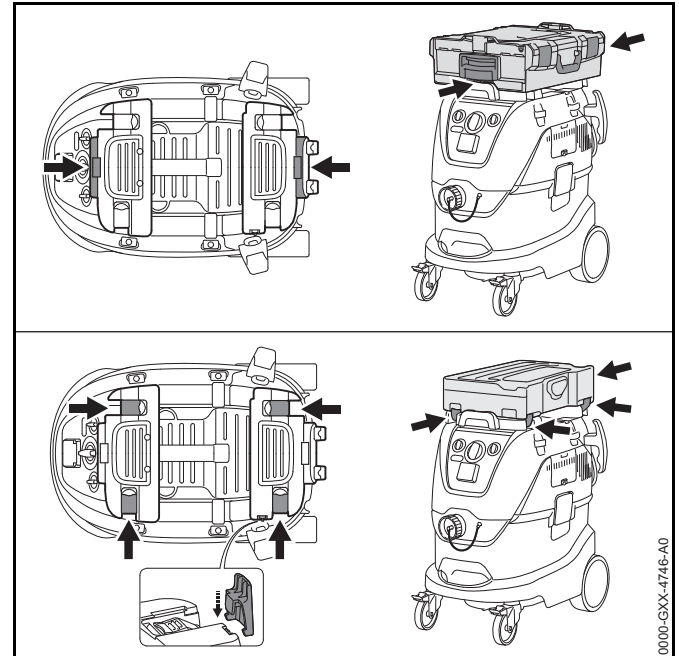
Attaching the retainer for a tool box



- ▶ Unscrew screws (1).
- ▶ Unscrew the screws (2) and dispose of them.
- ▶ Place retainers (3 and 4) on top part.
- ▶ Insert screws (5) supplied and tighten.

- ▶ Insert screws (1) and tighten.

Attaching the tool box

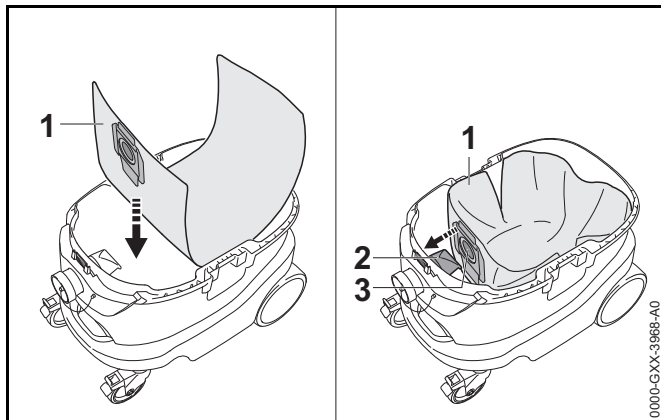


- ▶ Put the tool box on top and lock it in place.

6.2 Inserting and removing filter bag

6.2.1 Inserting the filter bag

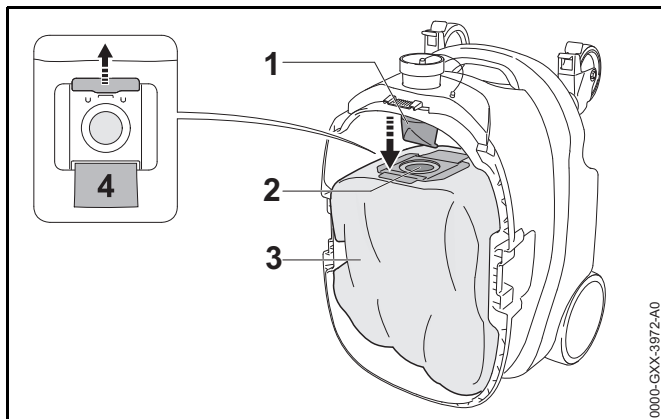
- ▶ Switch off the wet/dry vacuum cleaner and pull the mains plug out of the socket.
- ▶ Release the container locks.
- ▶ Lift off the top part.



- ▶ Place filter bag (1) in the container.
- ▶ Push sleeve (3) over suction connector (2).
- ▶ Open out filter bag (1) inside the container.

6.2.2 Removing the filter bag

- ▶ Switch off the wet/dry vacuum cleaner and pull the mains plug out of the socket.
- ▶ Release the container locks.
- ▶ Lift off the top part.
- ▶ Stand container upright.



- ▶ Pull the sleeve (2) off the suction connector (1).

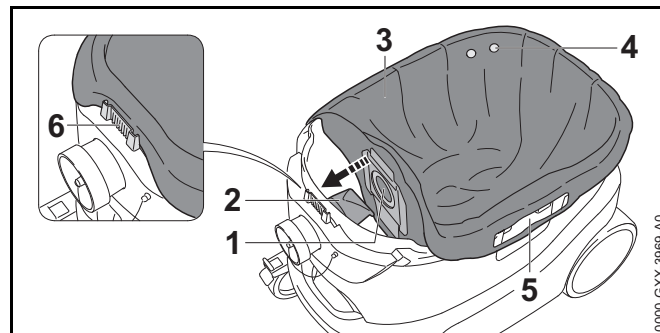
- ▶ Close the sleeve (2) with the slide (4).
- ▶ Remove filter bag (3) from the container.
- ▶ Dispose of the filter bag (3) in accordance with the applicable regulations and in an environmentally responsible manner.

6.3 Inserting and removing disposal bag

6.3.1 Inserting the disposal bag

The disposal bag collects dust and dirt that are picked up and assists with low-dust disposal. The disposal bag is available as an accessory.

- ▶ Switch off the wet/dry vacuum cleaner and pull the mains plug out of the socket.
- ▶ Release the container locks.
- ▶ Lift off the top part.

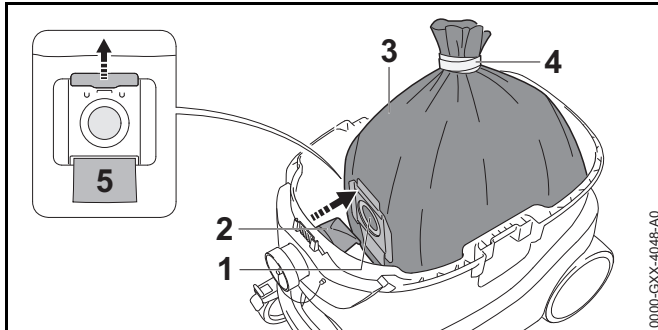


- ▶ Push sleeve (1) over suction connector (2).
- ▶ Pull disposal bag (3) over edge of container so that the following conditions are fulfilled:
 - The holes (4) are inside the container.
 - The slots (5) are clear of the locks.
 - The seat (6) is visible.

6.3.2 Removing the disposal bag

- ▶ Switch off the wet/dry vacuum cleaner and pull the mains plug out of the socket.
- ▶ Release the container locks.

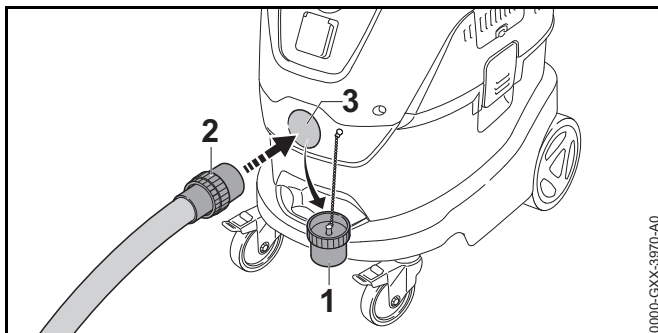
- ▶ Lift off the top part.



- ▶ Pull the sleeve (1) off the suction connector (2).
- ▶ Close the sleeve (1) with the slide (5).
- ▶ Tie up disposal bag (3) with the tape (4).
- ▶ Remove disposal bag (3) from the container.
- ▶ Dispose of the disposal bag (3) in accordance with the applicable regulations and in an environmentally responsible manner.

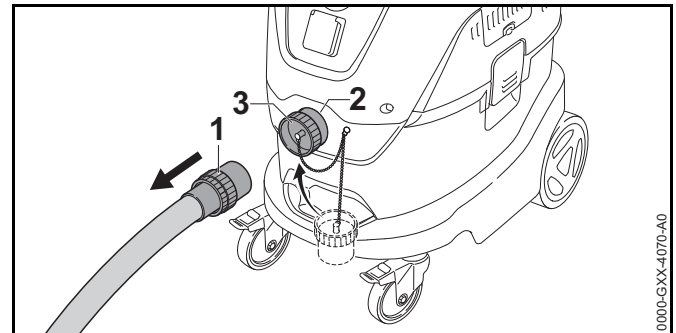
6.4 Fitting and removing suction hose

6.4.1 Attaching the suction hose



- ▶ Pull off the container cap (1).
- ▶ Push sleeve (2) into the suction connector (3) and turn until it is firmly seated.

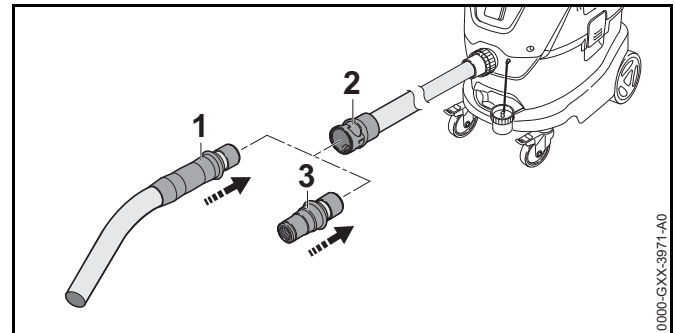
6.4.2 Removing the suction hose



- ▶ Pull the sleeve (1) out of the suction connector (2).
- ▶ Push container cap (3) into suction connector (2).

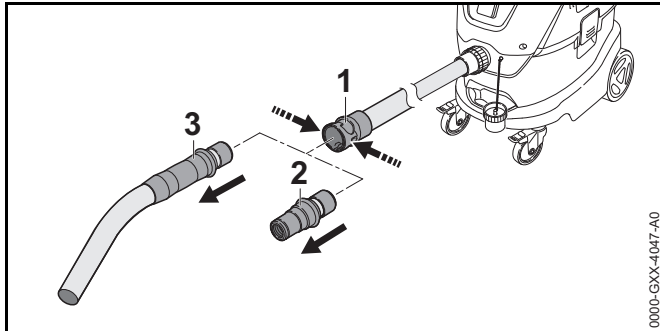
6.5 Fitting and removing hand tube and adapter

6.5.1 Fitting the hand tube or adapter



- ▶ Push hand tube (1) or adapter (3) into the sleeve (2). The hand tube (1) or adapter (3) engages audibly.

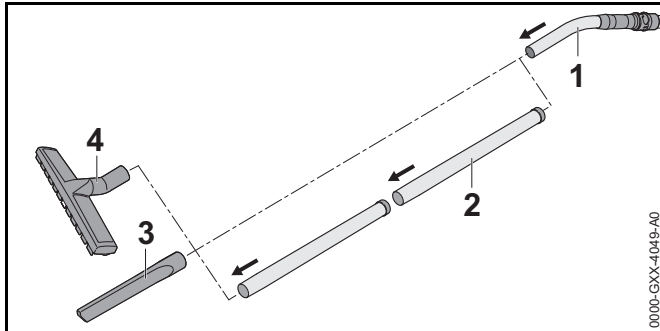
6.5.2 Removing the hand tube or adapter



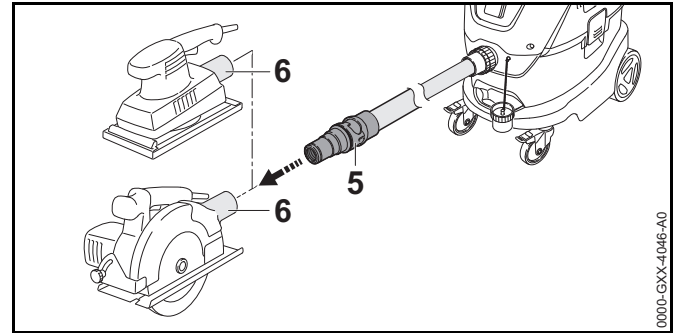
- ▶ Squeeze sleeve (1) and pull off hand tube (3) or adapter (2).

6.6 Fitting and removing accessories

6.6.1 Installing accessories



- ▶ Push the hand tube (1) into the suction tube (2), floor tool (4), crevice tool (3) or other accessory.



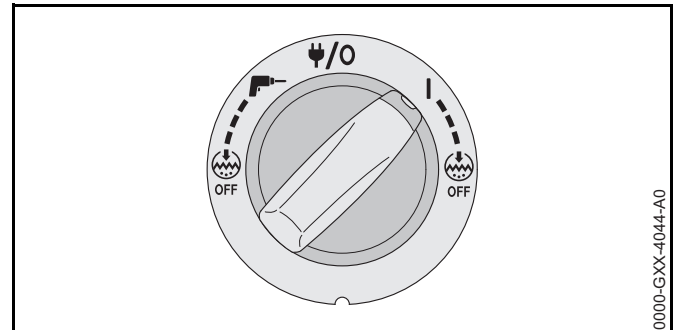
- ▶ If connecting an electric power tool: Push adapter (5) onto suction connector of electric power tool (6).

6.6.2 Removing accessories


- ▶ Pull suction tube, floor tool, crevice tool or other accessory off the hand tube.
- ▶ If an electric power tool is connected: Pull adapter off suction connector of electric power tool.

7 Switching the wet/dry vacuum cleaner on and off

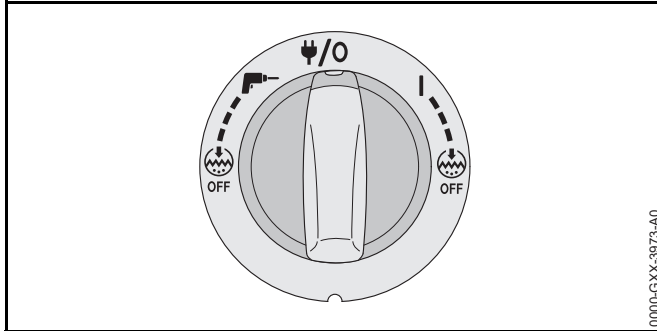
7.1 Switching on the wet/dry vacuum cleaner



- ▶ Turn the rotary switch to the I position.
- The wet/dry vacuum cleaner can be set to different modes according to the application.

- ▶ Set the rotary switch to the required mode,  9.

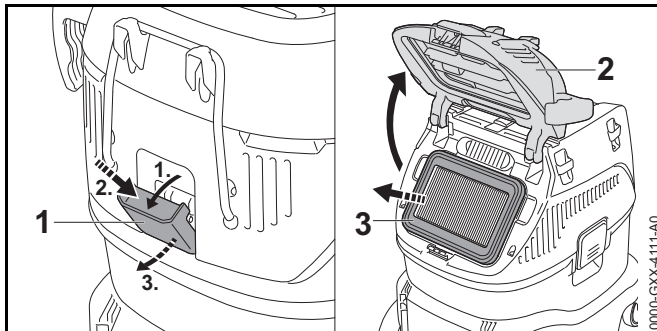
7.2 Switching off the wet/dry vacuum cleaner



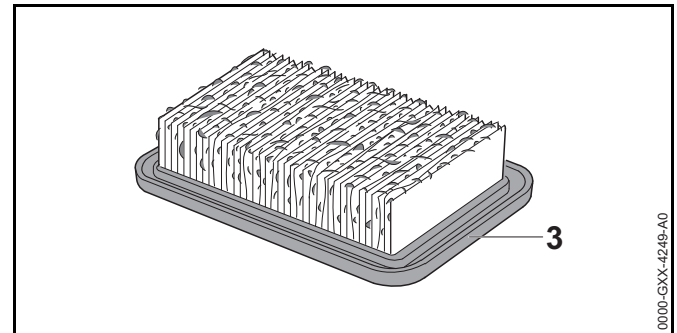
- ▶ Turn the rotary switch to the 0 position.

8 Checking the wet/dry vacuum cleaner

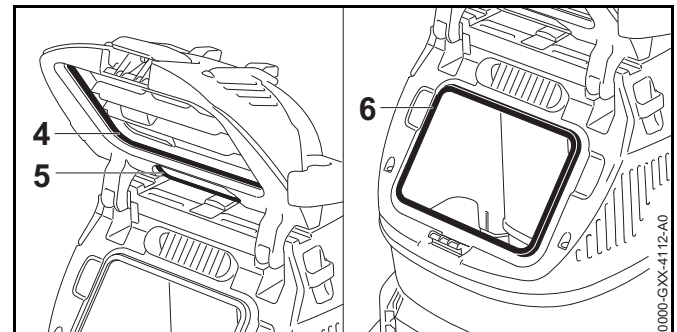
8.1 Checking the filter



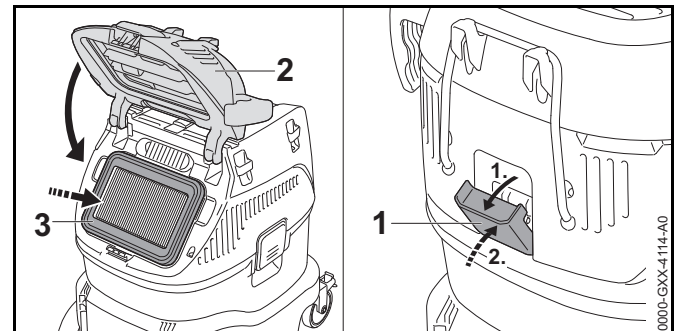
- ▶ Open the filter housing cap (1).
- ▶ Press down on the filter housing cap (1) and swing the filter housing cap (1) out.
- ▶ Open cover (2).
- ▶ Remove filter (3).



- ▶ If the filter (3) is dirty: Clean the filter.
- ▶ If the filter (3) is damaged: Replace the filter.



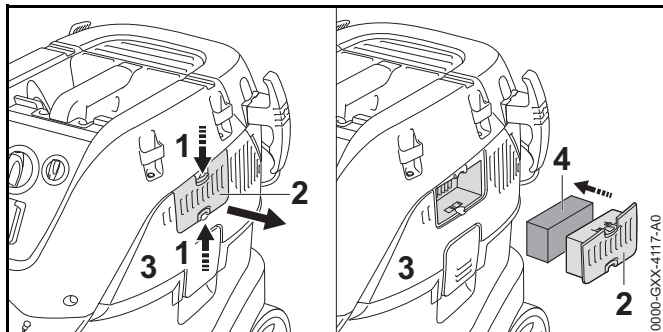
- ▶ Clean the seals (4 and 5) with a damp cloth.
- ▶ Clean the seat (6) with a damp cloth.



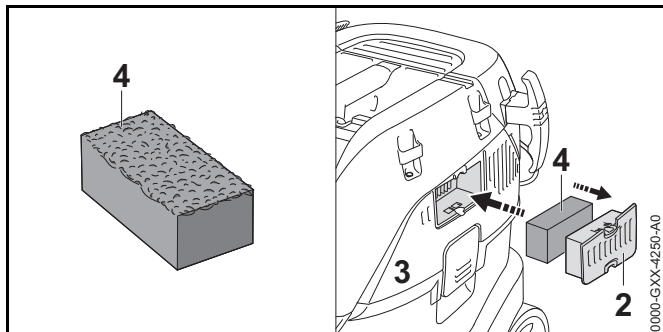
- ▶ Install filter (3).

- ▶ Close cover (2).
- ▶ Open the filter housing cap (1) until it audibly engages.
- ▶ Close the filter housing cap (1).

8.2 Checking the cooling air filter.



- ▶ Press tab (1) and remove retainer (2) from top part (3).
- ▶ Remove cooling air filter (4).



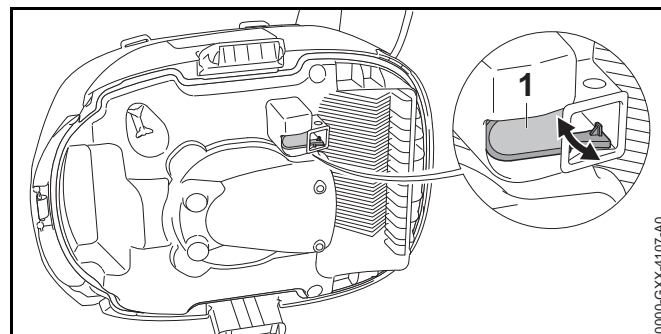
- ▶ If the cooling air filter (4) is dirty: Clean cooling air filter.
- ▶ If the cooling air filter (4) is damaged: Replace the cooling air filter.
- ▶ Insert cooling air filter (4) into retainer (2).
- ▶ Insert retainer (2) into top part (3).

8.3 Checking monitoring of air velocity in the suction hose

- ▶ Switch on the wet/dry vacuum cleaner.
- ▶ Close off the suction hose.
The air velocity will decrease and the LED will light up after approx. 1 second. Also, after approx. 7 seconds a series of short beeps will be heard.
- ▶ If the LED does not light up or if a succession of short beeps is not heard: Do not use the wet/dry vacuum cleaner. Consult a STIHL servicing dealer.
There is a fault in the air velocity monitoring system.

8.4 Checking the float

- ▶ Switch off the wet/dry vacuum cleaner and pull the mains plug out of the socket.
- ▶ Release the container locks.
- ▶ Remove top part and turn it over.

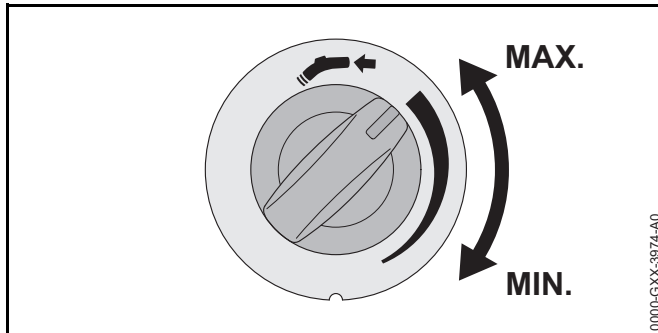


- ▶ Move float (1) to and fro by hand.
- ▶ If the float (1) cannot be moved to and fro: Clean float (1) with a soft brush.
- ▶ If the float (1) still cannot be moved to and fro: Do not use the wet/dry vacuum cleaner. Consult a STIHL servicing dealer.
There is a fault in the float (1).

9 Using the wet/dry vacuum cleaner

9.1 Setting the suction power

The suction power can be set according to the application.



To increase the suction power

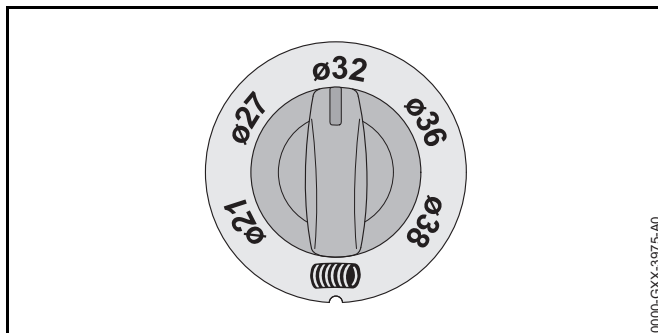
- ▶ Turn the rotary control counterclockwise.

To reduce the suction power

- ▶ Turn the rotary control clockwise.

9.2 Setting the diameter of the suction hose

The rotary control has to be set according to the inside diameter of the attached suction hose. Setting is necessary for air velocity monitoring in the suction hose.

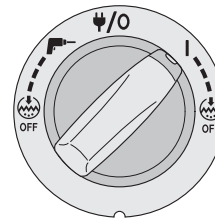


- ▶ Measure the inside diameter of the suction hose.

- ▶ Set rotary control to the position of the measured inside diameter.

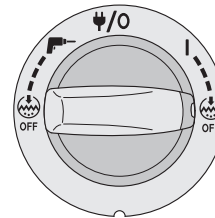
9.3 Picking up dust and dirt

- ▶ If picking up Class M dust:
 - ▶ Install filter bag or disposal bag.
 - ▶ Check monitoring of air velocity in the suction hose.



Turn the rotary switch to the I position.

Automatic filter cleaning is switched on.

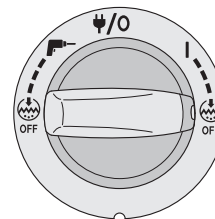


In order to switch off automatic filter cleaning: Turn the rotary switch to the position shown.

- ▶ Hold the hand tube in one hand and pick up either directly or via an attached accessory.

9.4 Picking up liquid

- ▶ Remove the filter bag or disposal bag.
- ▶ Check the float.



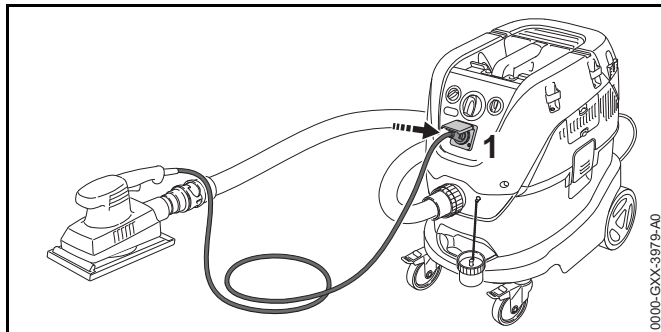
Turn the rotary switch to the position shown.

Automatic filter cleaning is switched off.

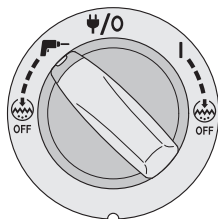
- ▶ Hold the hand tube in one hand and pick up either directly or via an attached accessory.

9.5 Operation with the wet/dry vacuum cleaner being switched on and off automatically by a connected power tool

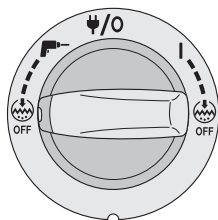
- ▶ Switch off the wet/dry vacuum cleaner.
- ▶ Switch off the electric power tool.
- ▶ If picking up Class M dust:
 - ▶ Install filter bag or disposal bag.
 - ▶ Check monitoring of air velocity in the suction hose.
- ▶ Attach adapter to the suction hose.
- ▶ Connect electric power tool to the adapter.



- ▶ Plug mains plug (1) of the electric power tool into the socket.



Turn the rotary switch to the position shown.
Automatic filter cleaning is switched on.



In order to switch off automatic filter cleaning: Turn the rotary switch to the position shown.

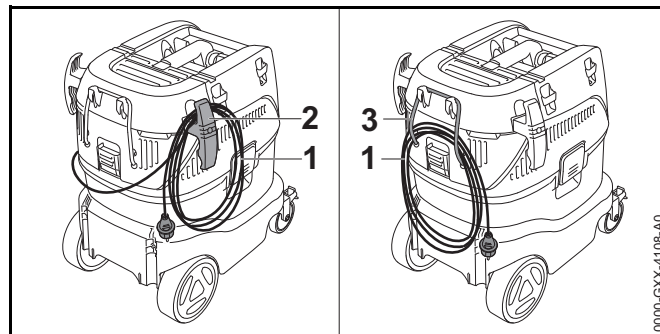
- ▶ Switch on the electric power tool.
The wet/dry vacuum cleaner will be switched on automatically.
- ▶ Operate the electric power tool.

When the electric power tool is switched off, the wet/dry vacuum cleaner continues to operate for a further 5 seconds to empty the suction hose.

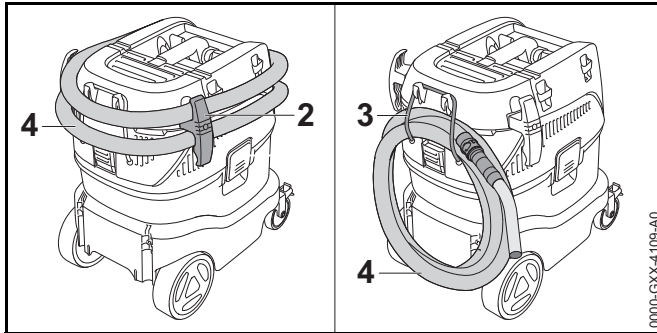
10 After Finishing Work

10.1 After finishing work

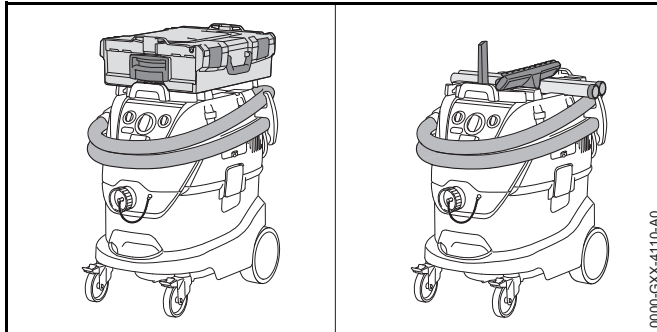
- ▶ Switch off the wet/dry vacuum cleaner and pull the mains plug out of the socket.
- ▶ Empty the container.
- ▶ Detach accessory and clean it.
- ▶ Clean the wet/dry vacuum cleaner.



- ▶ Roll up the connecting cord (1) and hang it on the holder (2) or secure with rubber strap (3).



- ▶ Remove suction hose.
- ▶ Roll up the suction hose (4) and hang it on the holder (2) or secure with rubber strap (3).

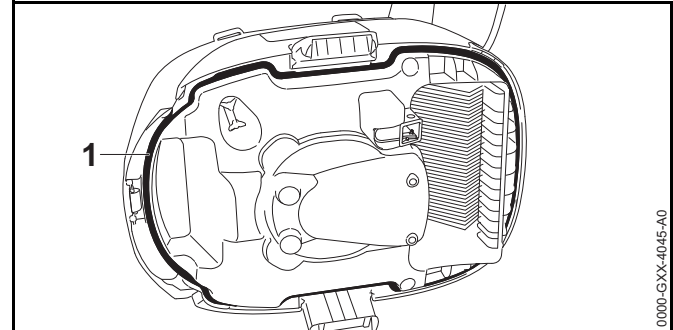


- ▶ Store accessory on the wet/dry vacuum cleaner.

10.2 Emptying the container

- ▶ Switch off the wet/dry vacuum cleaner and pull the mains plug out of the socket.
- ▶ Release the container locks.
- ▶ Lift off the top part.
- ▶ Empty the container and dispose of its contents in accordance with the applicable regulations.
- ▶ If the filter bag or disposal bag is inside the container: Remove filter bag or disposal bag and dispose of it in accordance with the applicable regulations.
- ▶ If liquids have been picked up:

- ▶ Clean the float.
- ▶ Allow filter to dry.



- ▶ Clean the seal (1) with a damp cloth.
- ▶ Replace the top part in position.

11 Transporting

11.1 Transporting the wet/dry vacuum cleaner

- ▶ Switch off the wet/dry vacuum cleaner and pull the mains plug out of the socket.
- ▶ Push container lock into suction connector.
- ▶ Empty the container.
- ▶ If transporting the wet/dry vacuum cleaner in a vehicle, ensure that the following conditions are fulfilled:
 - The wet/dry vacuum cleaner is in the upright position.
 - The front wheel brakes are engaged.
 - The wet/dry vacuum cleaner cannot topple over and cannot move.

12 Storing

12.1 Storing the wet/dry vacuum cleaner

- ▶ Switch off the wet/dry vacuum cleaner and pull the mains plug out of the socket.

- ▶ The wet/dry vacuum cleaner should be stored in such a way that the following conditions are fulfilled:
 - The wet/dry vacuum cleaner is out of the reach of children.
 - The wet/dry vacuum cleaner is clean and dry.
 - The wet/dry vacuum cleaner is in an enclosed room.
 - The wet/dry vacuum cleaner is in a temperature range above 0 °C.

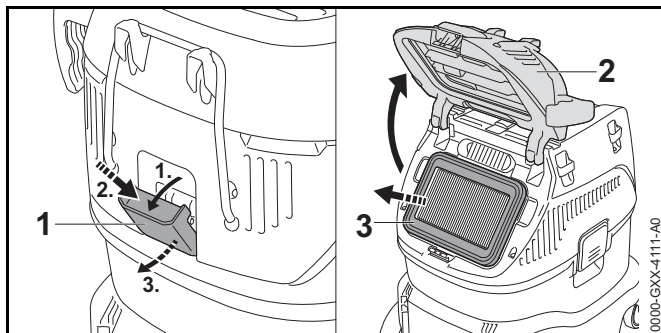
13 Cleaning

13.1 Cleaning the wet/dry vacuum cleaner and accessories

- ▶ Switch off the wet/dry vacuum cleaner and pull the mains plug out of the socket.
- ▶ Clean the wet/dry vacuum cleaner and accessories with a damp cloth.

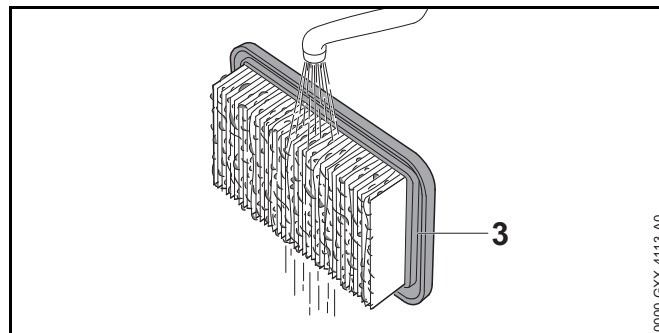
14 Maintenance

14.1 Cleaning the filter

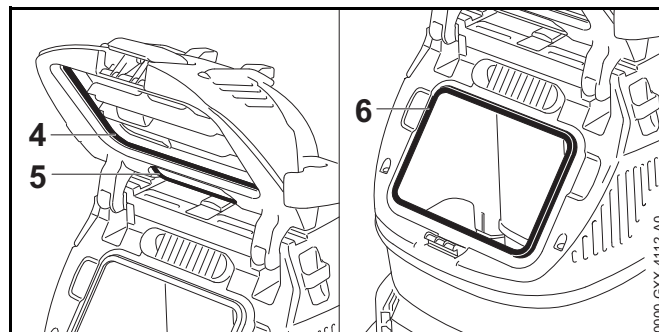


- ▶ Open the filter housing cap (1).
- ▶ Press down on the filter housing cap (1) and swing the filter housing cap (1) out.

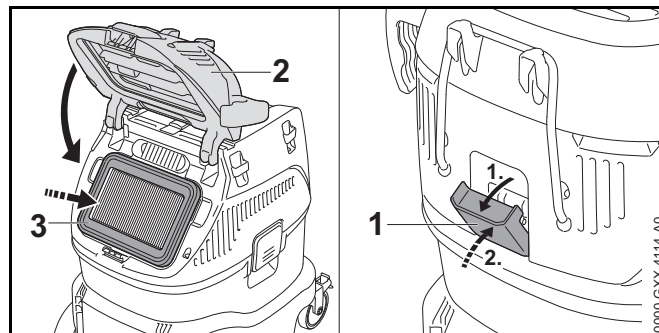
- ▶ Open cover (2).
- ▶ Remove filter (3).



- ▶ Rinse out filter (3) under running water.
- ▶ Allow filter (3) to dry.

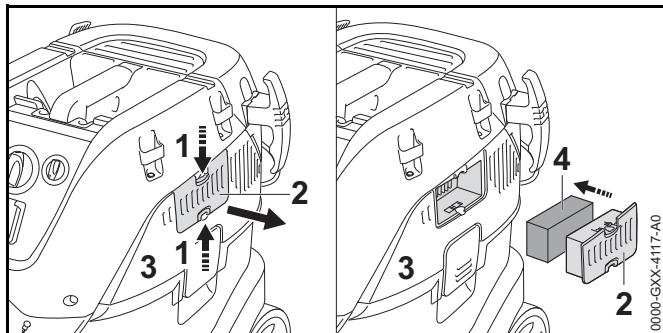


- ▶ Clean the seals (4 and 5) with a damp cloth.
- ▶ Clean the seat (6) with a damp cloth.

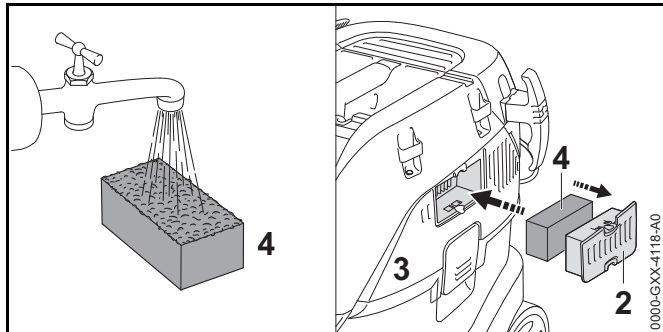


- ▶ Install filter (3).
- ▶ Close cover (2).
- ▶ Open the filter housing cap (1) until it audibly engages.
- ▶ Close the filter housing cap (1).

14.2 Cleaning the cooling air filter



- ▶ Press tab (1) and remove retainer (2) from top part (3).
- ▶ Remove cooling air filter (4).



- ▶ Rinse out cooling air filter (4) under running water.
- ▶ Allow cooling air filter (4) to dry.
- ▶ Insert cooling air filter (4) into retainer (2).
- ▶ Insert retainer (2) into top part (3).

15 Repairing





15.1 Repairing the wet/dry vacuum cleaner

The user cannot personally repair the wet/dry vacuum cleaner and accessory.

- ▶ If the wet/dry vacuum cleaner or accessory is damaged:
Do not use the wet/dry vacuum cleaner or accessory.
Consult a STIHL servicing dealer.

16 Troubleshooting

16.1 Correcting faults on the wet/dry vacuum cleaner

Fault	Cause	Remedy
The wet/dry vacuum cleaner does not start when switched on.	The plug of the connecting cord or extension cord is not plugged in.	▶ Plug in mains plug of connecting cord or extension cord.
	The circuit breaker (fuse) or the overload cutout has tripped. There is an electrical overload or a fault in the circuit.	▶ Look for cause of tripping and remedy it. Insert circuit breaker (fuse) or overload cutout. ▶ Switch off other loads connected to the same circuit.
	The fuse rating of the socket is too low.	▶ Plug the connecting cord into a socket with the correct fuse rating,  17.1.
	The extension cord has an incorrect cross-section.	▶ Use an extension cord with a sufficient cross-section.  17.2
	The extension cord is too long	▶ Use an extension cord with the correct length.  17.2
	The container is full. The float switch has operated.	▶ Empty the container.
	The float switch has operated.	▶ Check the float.
The wet/dry vacuum cleaner switches off while in operation.	The plug of the connecting cord or extension cord has been pulled out of the socket.	▶ Insert the plug of the connecting cord or of the extension cord.
	The circuit-breaker (fuse) or the earth-leakage circuit breaker has tripped. The circuit is electrically overloaded or defective.	▶ Find and resolve the cause for the trip. Engage circuit-breaker (fuse) or the earth-leakage circuit breaker. ▶ Switch off other electrical consumers on the same circuit.
	The fuse rating of the socket is too low.	▶ Plug the connecting cord into a socket with the correct fuse rating,  17.
	The container is full. The float switch has operated.	▶ Empty the container.
Dust is escaping from the wet/dry vacuum cleaner.	The cooling air filter is dirty. The wet/dry vacuum cleaner is too warm.	▶ Clean or replace the cooling air filter. ▶ Allow the wet/dry vacuum cleaner to cool for 5 minutes.
	The filter is damaged.	▶ Replace the filter.

Fault	Cause	Remedy
The suction power is too low.	The suction power is set too low.	▶ Set the suction power.
	The filter bag or the container is full.	▶ Replace filter bag or empty the container.
	The filter is dirty.	▶ Switch on automatic filter cleaning. ▶ Clean or replace the filter.
	The suction hose, the hand tube or the accessory is blocked up.	▶ Clean the suction hose, hand tube or accessory.
	The seal between the top part and the container is dirty or damaged.	▶ Clean seal between top part and container or ask a STIHL authorized dealer to replace it.
The air flow rate is less than 20 m/s. The air velocity monitoring LED in the suction hose lights up and a succession of short beeps is heard.	The diameter of the suction hose is not set correctly.	▶ Set the diameter of the suction hose.
	The filter bag or the container is full.	▶ Replace filter bag or empty the container.
	The filter is dirty.	▶ Clean or replace the filter.
	The suction hose, the hand tube or the accessory is blocked up.	▶ Clean the suction hose, hand tube or accessory.
	The seal between the top part and the container is dirty or damaged.	▶ Clean seal between top part and container or ask a STIHL authorized dealer to replace it.

17 Specifications

17.1 Wet/dry vacuum cleaner STIHL SE 133 ME

- Rated voltage: see rating plate
- Frequency: see rating plate
- Fuse:
 - 16 A
 - Switzerland, Australia, New Zealand only: 10 A
- Power consumption to EN 60335-2-69: 1200 W
- Power consumption power tool socket:
 - 2400 W
 - Switzerland, Australia, New Zealand only: 1100 W
- Electrical protection class: I
- Degree of electrical protection: IPX4 (protection against splash water from any direction)
- Maximum air throughput (measured at the turbine): 4500 l/min
- Maximum vacuum: 250 mbar
- Dimensions
 - Length: 565 mm
 - Width: 385 mm
 - Height: 605 mm
- Dimensions of suction hose: Ø 32 mm x 5 m
- Length of connecting cord: 7.5 m
- Maximum container capacity: 42 l
- Weight with accessory attached: approx. 16 kg

17.2 Extension Cords

If an extension cord is used, the cross sectional area of its conductors must meet the following minimum requirements – depending on the line voltage and length of the extension cord:

220 V to 240 V

- Cord length up to 20 m: AWG 15 / 1.5 mm²
- Cord length 20 m up to 50 m: AWG 13 / 2.5 mm²

100 V to 127 V

- Cord length up to 10 m: AWG 14 / 2.0 mm²
- Cord length 10 m up to 30 m: AWG 12 / 3.5 mm²

17.3 Sound and Vibration Levels

- Sound pressure level L_{pA} measured according to EN 60335-2-69: 68 dB(A). The K value for the sound pressure level is 2 dB(A).
- Vibration level a_h measured according to ISO 5349, hand tube: $\leq 2.5 \text{ m/s}^2$.

Information regarding compliance with the Employers' Directive on Vibration 2002/44/EC can be found at www.stihl.com/vib.

17.4 REACH

REACH is an EC regulation and stands for the Registration, Evaluation, Authorisation and Restriction of Chemical substances.

For information on compliance with the REACH regulation see www.stihl.com/reach.

18 Spare Parts and Accessories

18.1 Spare Parts and Accessories

STIHL® These symbols identify original STIHL replacement parts and original STIHL accessories.

STIHL recommends the use of original STIHL replacement parts and accessories.

Original STIHL replacement parts and original STIHL accessories are available from STIHL servicing dealers.

19 Disposal

19.1 Disposing of the wet/dry vacuum cleaner

Information concerning disposal is available from any STIHL servicing dealer.

- ▶ Dispose of the wet/dry vacuum cleaner, suction hose, filters, accessories and packaging in accordance with the applicable regulations and in an environmentally responsible manner.

20 EC Declaration of Conformity

20.1 Wet/dry vacuum cleaner STIHL SE 133 ME

ANDREAS STIHL AG & Co. KG
Badstraße 115
D-71336 Waiblingen
Germany

declare under our sole responsibility that

- Type: Wet/dry vacuum cleaner of dust class M
- Make: STIHL
- Model: SE 133 ME
- Serial identification number: 4786

conforms to the specifications of Directives 2011/65/EU, 2006/42/EC and 2014/30/EU and has been developed and built in compliance with the versions of the following standards valid at the production date: EN 60335-1, EN 60335-2-69, EN 55014-1, EN 55014-2, EN 61000-3-2, EN 61000-3-3 and EN 50581.

The Technical Documentation has been retained by the Produktzulassung Department of ANDREAS STIHL AG & Co. KG.

The year of construction, the country of manufacture and the machine number are shown on the wet/dry vacuum cleaner.

Waiblingen, 12 February 2016

ANDREAS STIHL AG & Co. KG

pp



Thomas Elsner, Head of Product Management and Services

0458-660-0121-A

englisch



www.stihl.com



0458-660-0121-A