

# STIHL GHE 150, GHE 250, GHE 250 S

# **STIHL**

**EN** Instruction manual



GHE 150.0

GHE 250.0

GHE 250.0 S

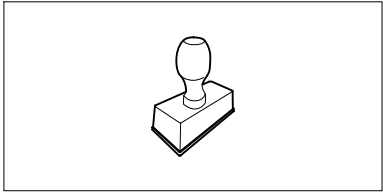
**B**

**AUS/NZ**



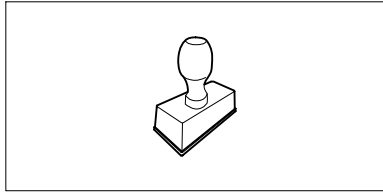


UU \_\_\_\_\_ 2.0



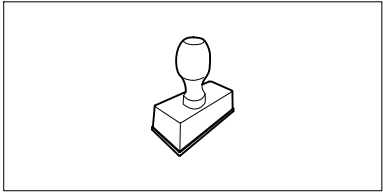
UU \_\_\_\_\_ 2.0

UU \_\_\_\_\_ 2.0



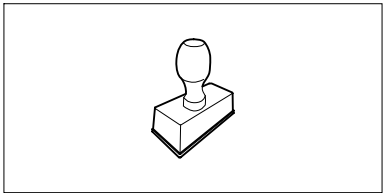
UU \_\_\_\_\_ 2.0

UU \_\_\_\_\_ 2.0



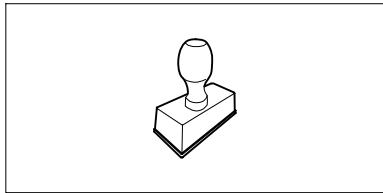
UU \_\_\_\_\_ 2.0

UU \_\_\_\_\_ 2.0



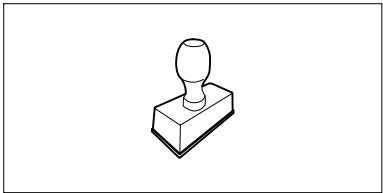
UU \_\_\_\_\_ 2.0

UU \_\_\_\_\_ 2.0



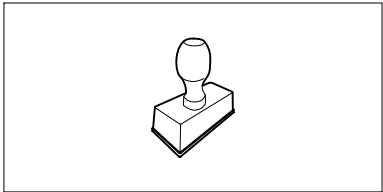
UU \_\_\_\_\_ 2.0

UU \_\_\_\_\_ 2.0



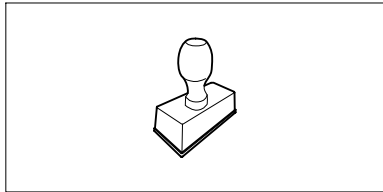
UU \_\_\_\_\_ 2.0

UU \_\_\_\_\_ 2.0



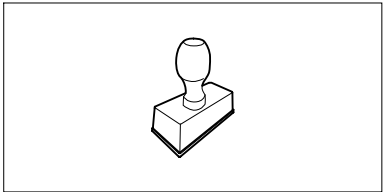
UU \_\_\_\_\_ 2.0

UU \_\_\_\_\_ 2.0



UU \_\_\_\_\_ 2.0

UU \_\_\_\_\_ 2.0



UU \_\_\_\_\_ 2.0



## Dear Customer,

Thank you for choosing STIHL. We develop and manufacture our quality products to meet our customers' requirements. The products are designed for reliability even under extreme conditions.

STIHL also stands for premium service quality. Our specialist dealers guarantee competent advice and instruction as well as comprehensive service support.

We thank you for your confidence in us and hope you will enjoy working with your STIHL product.



Dr. Nikolas Stihl

**IMPORTANT: READ BEFORE USE AND  
KEEP IN A SAFE PLACE.**

## 1. Table of contents

<b>Notes on the instruction manual</b>	<b>4</b>	Working area for operator	18
General	4	Correct machine load	18
Instructions for reading the instruction manual	4	Overload protection	18
<b>Machine overview</b>	<b>6</b>	If the cutting unit of the garden shredder is blocked	18
<b>For your safety</b>	<b>7</b>	Feeding the garden shredder	19
General	7	<b>Safety devices</b>	<b>19</b>
Warning – dangers caused by electrical current	8	Motor restart inhibitor	19
Clothing and equipment	8	Safety interlock	19
Transporting the machine	8	Motor run-down brake	19
Before operation	9	Protective covers	19
Working with your machine	9	<b>Operating the machine</b>	<b>19</b>
Maintenance and repairs	11	Electrical connection of garden shredders	20
Storage for prolonged periods without operation	11	Switching on the garden shredder	20
Disposal	12	Switching off the garden shredder	20
<b>Description of symbols</b>	<b>12</b>	Shredding	20
<b>Standard equipment</b>	<b>13</b>	<b>Maintenance</b>	<b>21</b>
<b>Preparing the machine for operation</b>	<b>14</b>	Cleaning the machine	21
Attaching the wheel axle and wheels	14	Installing the feed chute	21
Installing the chassis and ejection chute	15	Removing the feed chute	21
Opening and closing the discharge flap	16	Locking the blade disc	22
Attaching the upper chute	17	Removing the blade set	22
Mounting the cable clip	17	Installing the blade set	23
<b>Notes on working with the machine</b>	<b>17</b>	Blade maintenance	23
What material can be processed?	17	Reversing the blades	24
What material cannot be processed?	18	Electric motor and wheels	25
Maximum branch diameter	18	Storage and winter break	25
		<b>Transport</b>	<b>25</b>
		Winding up the cable	25
		Pulling or pushing the garden shredder	26
		Lifting or carrying the garden shredder	26
		Transporting the garden shredder on a load floor	26

<b>Minimising wear and preventing damage</b>	<b>27</b>
<b>Standard spare parts</b>	<b>27</b>
<b>Environmental protection</b>	<b>27</b>
<b>Technical specifications</b>	<b>28</b>
<b>Troubleshooting</b>	<b>28</b>
<b>Service schedule</b>	<b>29</b>
Handover confirmation	29
Service confirmation	29

## 2. Notes on the instruction manual

### 2.1 General

This instruction manual constitutes **original manufacturer's instructions** in the sense of EC Directive 2006/42/EC.

STIHL is continually striving to further develop its range of products; we therefore reserve the right to make alterations to the form, technical specifications and equipment level of our standard equipment.

For this reason, the information and illustrations in this manual are subject to alterations.

This instruction manual may describe models that are not available in all countries.

This instruction manual is protected by copyright. All rights reserved, especially the right of reproduction, translation and processing using electronic systems.

### 2.2 Instructions for reading the instruction manual

Illustrations and texts describe specific operating steps.

All symbols which are affixed to the machine are explained in this instruction manual.

#### Viewing direction:

Viewing direction when **left** and **right** are used in the instruction manual: the user is standing behind the machine (working position).

#### Section reference:

References to relevant sections and subsections for further descriptions are made using arrows. The following example shows a reference to a section: (⇒ 3.)

#### Designation of text passages:

The instructions described can be identified as in the following examples.

Operating steps which require intervention on the part of the user:

- Release screw (1) using a screwdriver, operate lever (2)...

General lists:

- Use of the product for sporting or competitive events

#### Texts with added significance:

Text passages with added significance are identified using the symbols described below in order to especially emphasise them in the instruction manual:



#### Danger

Risk of accident and severe injury to persons. A certain type of behaviour is necessary or must be avoided.



#### Warning

Risk of injury to persons. A certain type of behaviour prevents possible or probable injuries.



#### Caution

Minor injuries or material damage can be prevented by a certain type of behaviour.



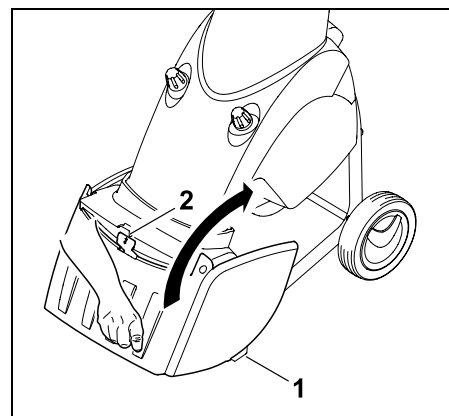
#### Note

Information for better use of the machine and in order to avoid possible operating errors.

#### Illustrations with text passages:

Operating steps relating directly to the illustration can be found immediately after the illustration, with a corresponding reference to the item numbers.

Example:



For shredding, fold discharge flap (1) upwards and allow tab (2) to engage in the ejection chute extension.

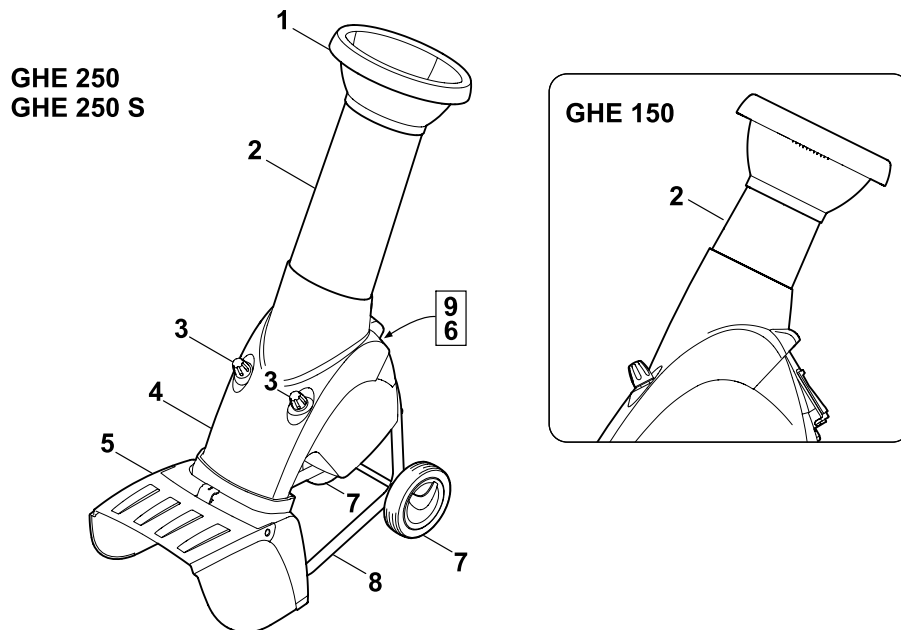
**Texts relating to illustrations:**

Illustrations relating to use of the machine can be found in the front of this instruction manual.

The camera symbol serves to link the figures on the illustration pages with the corresponding text passages in the instruction manual.



### 3. Machine overview



- 1 Upper chute
- 2 Lower chute
- 3 Closure screws
- 4 Basic unit
- 5 Ejection chute
- 6 On/off switch with mains connection
- 7 Wheels
- 8 Wheel carrier
- 9 Rating plate with machine number



## 4. For your safety

### 4.1 General



These safety regulations must be observed when working with the machine.



Read the entire instruction manual before using the machine for the first time. Keep the instruction manual in a safe place for future reference.

These safety precautions are essential for your safety, however the list is not exhaustive. Always use the machine in a reasonable and responsible manner and be aware that the user is responsible for accidents involving third parties or their property.

Make sure that you are familiar with the controls and use of the machine.

The machine must only be used by persons who have read the instruction manual and are familiar with operation of the machine. The user should seek expert and practical instruction prior to initial operation. The user must receive instruction on safe use of the machine from the vendor or another expert.

During this instruction, the user should be made aware that the utmost care and concentration are required for working with the machine.

Residual risks persist even if you operate this machine according to the instructions.



### **Risk of death from suffocation!**

Packaging material is not a toy - danger of suffocation! Keep packaging material away from children.

Only give or lend the machine, including any accessories, to persons who are familiar with this model and how to operate it. The instruction manual forms part of the machine and must always be provided to persons borrowing it.

Make sure that the user is physically, sensorily and mentally capable of operating the machine and working with it. If the user is physically, sensorily or mentally impaired, the machine must only be used under supervision or following instruction by a responsible person.

Make sure that the user is of legal age or being trained under supervision in a profession in accordance with national regulations.

The machine must only be operated by persons who are well rested and in good physical and mental condition. If your health is impaired, you should consult your doctor to determine whether working with the machine is possible. The machine should not be operated after the consumption of alcohol, drugs or medications which impair reactions.

The machine is intended for private use.

### **Caution – risk of accident!**

STIHL garden shredders are suitable for shredding branch material and plant trimmings. Their use for other purposes is not permitted and may be dangerous or result in damage to the machine.

The garden shredder must not be used (incomplete list):

- for any other materials (e.g. glass, metal).
- for tasks other than those described in this instruction manual.
- for the preparation of foodstuffs (e.g. crushing ice, mashing pulp).

For safety reasons, any modification to the machine, except the proper installation of accessories approved by STIHL, is forbidden and results in voiding of the warranty cover. Information regarding approved accessories can be obtained from your STIHL specialist dealer.

In particular, any tampering with the machine which increases the power output or speed of the engine or motor is forbidden.

It is not permitted to transport objects, animals or persons, particularly children, on the machine.

Particular care is required during use in public green spaces, parks, sports fields, along roads and in agricultural and forestry businesses.

---

## 4.2 Warning – dangers caused by electrical current

### **Warning:** **Risk of electric shock!**

Particularly important for electrical safety are the power cable, mains plug, On / Off switch and electric cable. Damaged cables, connectors and plugs, or electric cables that do not conform to regulations must not be used, to prevent any risk of electric shocks.



Therefore, check the electric cable regularly for signs of damage or ageing (brittleness).

Only operate machine with fully uncoiled power cable.

Extension reels must always be fully unwound before use.

Never use a damaged extension cable. Replace defective cables with new ones and never repair extension cables.

If the power cable or extension cable is damaged during operation, immediately disconnect the power cable or extension cable from the power supply. Never touch the damaged power cable or extension cable.

Never use the machine if the cables are damaged or worn. Check the power cable in particular for damage and ageing.

Maintenance and repair work on power cables must only be performed by specially qualified technicians.

### **Danger of electric shock!**

Do not connect a damaged cable to the mains and only touch a damaged cable once it has been disconnected from the mains.

Only touch the cutting units (blades) when the machine is disconnected from the mains.

Always ensure that the power cables used are adequately protected by a fuse.



Do not work in the rain or in a wet environment.

Only use extension cables that are insulated against moisture for outdoor use which are suitable for use with the machine (⇒ 10.1).

Detach electric cables at the plug and socket and not by pulling on the electric cable.

Do not leave the machine unprotected in the rain.

It must be noted that current fluctuations can damage the machine when it is connected to a power generator.

Only connect the machine to a power supply that is protected by means of a residual current-operated protective device with a release current of a maximum of 30 mA. Your electrician can provide further information.

---

## 4.3 Clothing and equipment



Always wear sturdy footwear with high-grip soles when working. Never work barefoot or, for example, in sandals.



Also always wear sturdy gloves when working and in particular also when performing maintenance operations or transporting the machine.



Always wear safety glasses and hearing protection when working. Wear them at all times.



Wear suitable, close-fitting clothing when working with the machine, e.g. overalls, but not work coats. Do not wear scarves, ties, jewellery, clothing with dangling straps or cords or other protruding articles of clothing when working with the machine.

Long hair must be tied up and secured (headscarf, cap, etc.) at all times when operating or performing work on the machine.

---

## 4.4 Transporting the machine

Always wear gloves in order to prevent injuries due to sharp-edged and hot components.

Do not transport the machine with the motor running. Switch off the motor, allow the blades to come to a standstill and disconnect the mains plug prior to transport.

Only transport the machine once the motor has cooled down.

Only transport the machine with the feed chute properly fitted

### **Risk of injury due to exposed blades.**

Pay particular attention to the weight of the machine, especially when tilting.

Use suitable loading aids (loading ramps, lifters).

Secure the machine on the load floor using adequately dimensioned fastening material (straps, ropes etc.) at the fastening points described in this instruction manual. (⇒ 12.)

Push or pull the machine at walking pace only. Do not tow!

When transporting the machine, always observe regional legislation, especially regarding load security and the transport of objects on load floors.

---

#### 4.5 Before operation

Make sure that only persons who are familiar with the instruction manual are permitted to use the machine.

Observe the local regulations regarding permitted operating times for gardening power tools with combustion engines or electric motors.

All faulty, worn or damaged parts must be replaced before using the machine. Replace any illegible or damaged danger signs and warnings on the machine. Your STIHL specialist has a supply of replacement stickers and all the other spare parts.

Before initial operation, it must be ensured

- that the machine is in good operational condition. This means that the covers and guards must be in place and in good condition.
- that it is connected electrically to a properly installed socket.
- that the insulation of the electric cable, extension cable, plug and connector is in good condition.

- that the complete machine (motor housing, guards, fastening elements, blades, blade shaft, blade discs etc.) is neither worn nor damaged.
- that there is no shredding material in the machine and that the feed chute is empty.
- that all screws, bolts, nuts and other fastening elements are in place and properly tightened. Tighten any loose screws, bolts and nuts prior to initial operation (observe tightening torques).

Only use the machine out-of-doors and not close to walls or any other solid objects in order to prevent the risk of injuries and property damage (no escape for the user, broken windows, scratched cars etc.).

The machine must be placed in a stable position on firm and level ground.

Do not use the machine on a paved or gravel-covered surfaces, as ejected or thrown-up material could cause injuries.

Before using the machine, always check that it is properly closed. (⇒ 11.2)

Make sure that you are familiar with the On / Off switch so that you can react quickly and correctly in any emergency situation.

The splash guard in the feed chute must cover the feed opening and must be undamaged – replace the splash guard if damaged.

#### Risk of injury:

Only operate the machine when properly assembled. If parts of the machine (e.g. wheels) are missing, the specified safety distances are no longer maintained and the stability of the machine may also be reduced.

**Before using the machine, always carry out a visual check to ensure that it is in good operating condition.**

"Good operating condition" means that the machine is fully assembled, in particular:

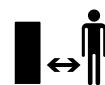
- Upper chute is installed on lower chute
- Feed chute is installed on basic unit and both closure screws are fastened hand-tight
- Wheel carrier assembly is installed
- Both wheels are mounted
- All safety devices (ejection chute, splash guard etc.) must be present and functional
- Cutting unit (blade disc) is installed
- All blades are properly installed

The switch and safety devices installed in the machine must not be removed or bypassed.

Visually inspect the blade disc for damage and deformation; replace if necessary.

---

#### 4.6 Working with your machine



Never work when animals or persons, particularly children, are in the danger area.

Do not operate the machine in the rain or during thunder storms, particularly when there is a risk of lightning strike.

The risk of accidents is higher if the ground is damp due to increased danger of slipping.

Particular caution should be exercised during working in order to prevent slipping. If possible, avoid using the machine when the ground is damp.

Only work during the day or with good artificial light.

Keep the working area neat and tidy at all times. Remove tripping hazards such as stones, branches, cables etc.

The operator should not stand any higher than the level of the base of the machine.

### Starting:

Place the machine in a stable and upright position prior to starting. The machine must never be operated in a horizontal position.

Exercise care when switching on the machine and observe the instructions in the section "Operating the machine". (⇒ 10.)

Do not stand in front of the discharge opening when starting the engine or switching on the motor. There must be no shredding material in the garden shredder when it is started or switched on. Shredding material may be ejected and lead to injuries.

The machine must not be tilted during start-up.

Avoid switching the machine on repeatedly within a short period of time; particularly avoid "playing" with the On / Off switch. Risk of motor overheating.

Owing to the voltage fluctuations caused by this machine during the start-up, other devices connected to the same circuit may be subject to interference in the case of unfavourable power supply conditions. In this case, appropriate steps should be taken (e.g. connection to a different circuit than the one used by the affected device, or operation of the machine using a circuit with a lower impedance).

### Working:



#### Risk of injury!

Never place your hands or feet above, underneath or on rotating parts.

When the machine is running, never put your face or any other part of your body above the feed chute or in front of the ejection opening. Always keep your head and body away from the feed opening.



Never put your hands or any other part of your body or clothing into the feed chute or ejection chute. There is a considerable risk of injury to eyes, face, fingers, hands etc.

Always maintain your balance and firm footing. Do not stretch forward.

The splash guard must not be tampered with (removed, folded up, jammed into position, damaged etc.) during operation.

The operator must stand in the working area described when feeding the shredder. Stay inside the working area and outside of the ejection zone at all times during operation of the machine. (⇒ 8.4)

#### Risk of injury:

Shredding material may be ejected back up during operation. Always wear safety glasses and keep your face away from the feed opening.

Never tilt the machine when the engine or motor is running.

If the machine falls over during operation, immediately switch off the motor and disconnect the mains plug.

Make sure that there is no shredding material blocking the ejection chute, as this could result in a poor shredding performance or kickbacks.

When feeding the garden shredder, pay particular attention to ensuring that no foreign objects such as bits of metal, stones, plastic, glass, etc. get into the shredding chamber as this could result in damage or kickbacks from the feed chute. Remove blockages for the same reason.

Kickbacks can occur when feeding the garden shredder with branch material. Wear gloves.



Beware of the cutting tool running on for several seconds before coming to a standstill.

Switch off the motor, disconnect the mains plug and allow all rotating tools to reach a complete standstill

- before leaving the machine unattended
- before repositioning, lifting, carrying, tilting, pushing or pulling the machine
- before unscrewing the closure screws and opening the machine
- before transporting the machine
- before removing blockages at the cutting unit, in the feed chute or in the discharge chute
- before carrying out any work on the blade disc
- before checking or cleaning the machine or before carrying out any other work on it.

If foreign objects get into the cutting tool or if the machine makes unusual noises or vibrates in an unusual way, switch off the motor immediately and allow the machine to come to rest. Detach the mains plug, remove the feed chute and perform the following steps:

- Check the machine, in particular the cutting unit (blade, blade discs, blade mounting, blade fastening screw, clamping ring) for damage and have any necessary repairs carried out by a technician before starting again and working with the machine.
- Check that all parts of the cutting unit are seated securely, retighten the screws if necessary (observe tightening torques).
- Have damaged parts replaced or repaired by a technician; the parts must be of similar quality.

---

#### 4.7 Maintenance and repairs



Before carrying out any maintenance operations (cleaning, repair etc.) and before checking whether the electric cable is entwined or damaged, park the machine on firm, level ground, switch off the motor and disconnect the mains plug.

Allow the machine to cool down for approx. 5 minutes before performing any maintenance operations.

Before performing maintenance of the cutting tool, ensure that the cutting tool can still be turned despite the locking device, even when the power supply is switched off.

The power cable must only be repaired or replaced by authorised electricians.

#### Cleaning:

The complete machine must be cleaned thoroughly following use. (⇒ 11.1)

Never use high-pressure cleaners and do not clean the machine under running water (e.g. using a garden hose).

Do not use aggressive cleaning agents. These can damage plastics and metals, impairing the safe operation of your STIHL machine.

#### Maintenance operations:

Only maintenance operations described in this instruction manual may be carried out. Have all other work performed by a specialist dealer.

If you do not have the necessary expertise or auxiliary equipment, please **always** contact a specialist dealer.

STIHL recommends that you have maintenance operations and repairs performed exclusively by a STIHL specialist dealer.

STIHL specialist dealers regularly attend training courses and are provided with technical information.

Only use tools, accessories or attachments approved for this machine by STIHL or technically identical parts. Otherwise, there may be a risk of accidents resulting in personal injury or damage to the machine. If you have any questions, please consult a specialist dealer.

The characteristics of original STIHL tools, accessories and spare parts are optimally adapted to the machine and the user's requirements. Genuine STIHL spare parts can be recognised by the STIHL spare parts number, by the STIHL lettering and, if present, by the STIHL spare parts symbol. On smaller parts, only the symbol may be present.

Always keep warning and information stickers clean and readable. Damaged or missing stickers must be replaced by new,

original plates from your STIHL specialist dealer. If a component is replaced with a new component, ensure that the new component is provided with the same stickers.

Only perform work on the cutting unit when wearing thick work gloves and exercising extreme care.

Ensure that all nuts, pins and screws, especially all the cutting unit screws, are securely tightened, so that the machine is in a safe operating condition.

Check the entire machine for wear or damage on a regular basis, particularly before extended periods when the machine is not in use (e.g. over winter). For safety reasons, worn or damaged parts must be replaced immediately to ensure that the machine is always in a safe operating condition.

Components or guards that are removed for maintenance operations must be properly reinstalled immediately.

---

#### 4.8 Storage for prolonged periods without operation

Allow the machine to cool for approx. 5 minutes before storing it in an enclosed space.

Ensure that the machine is protected from unauthorised use (e.g. by children).

Thoroughly clean the machine before storage (e.g. winter break).

Store the machine in good operational condition.

Only transport the garden shredder with the feed chute fitted.

**Risk of injury due to exposed blades.**

## 4.9 Disposal

Waste products can be harmful to people, animals and the environment. They must consequently be disposed of properly.

Consult your recycling centre or your specialist dealer for information on the proper disposal of waste products. STIHL recommends STIHL specialist dealers.

Ensure that old machines are properly disposed of. Render the machine unusable prior to disposal. In order to prevent accidents, always remove the power cable and electric cable to the motor.

## 5. Description of symbols



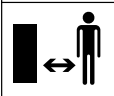
### Caution!

Read the instruction manual before initial use.



### Risk of injury!

Keep other persons out of the danger area.



### Risk of injury!

Rotating tools.  
Keep hands and feet away from apertures when machine is running.



### Risk of injury!

Switch off the motor and disconnect the power cable from the machine before working on the cutting tool, before performing maintenance and cleaning work, before checking whether the electric cable is entwined or damaged and before leaving the machine unattended.



Wear hearing protection.



Wear safety glasses.

Wear work gloves.



### Risk of injury:

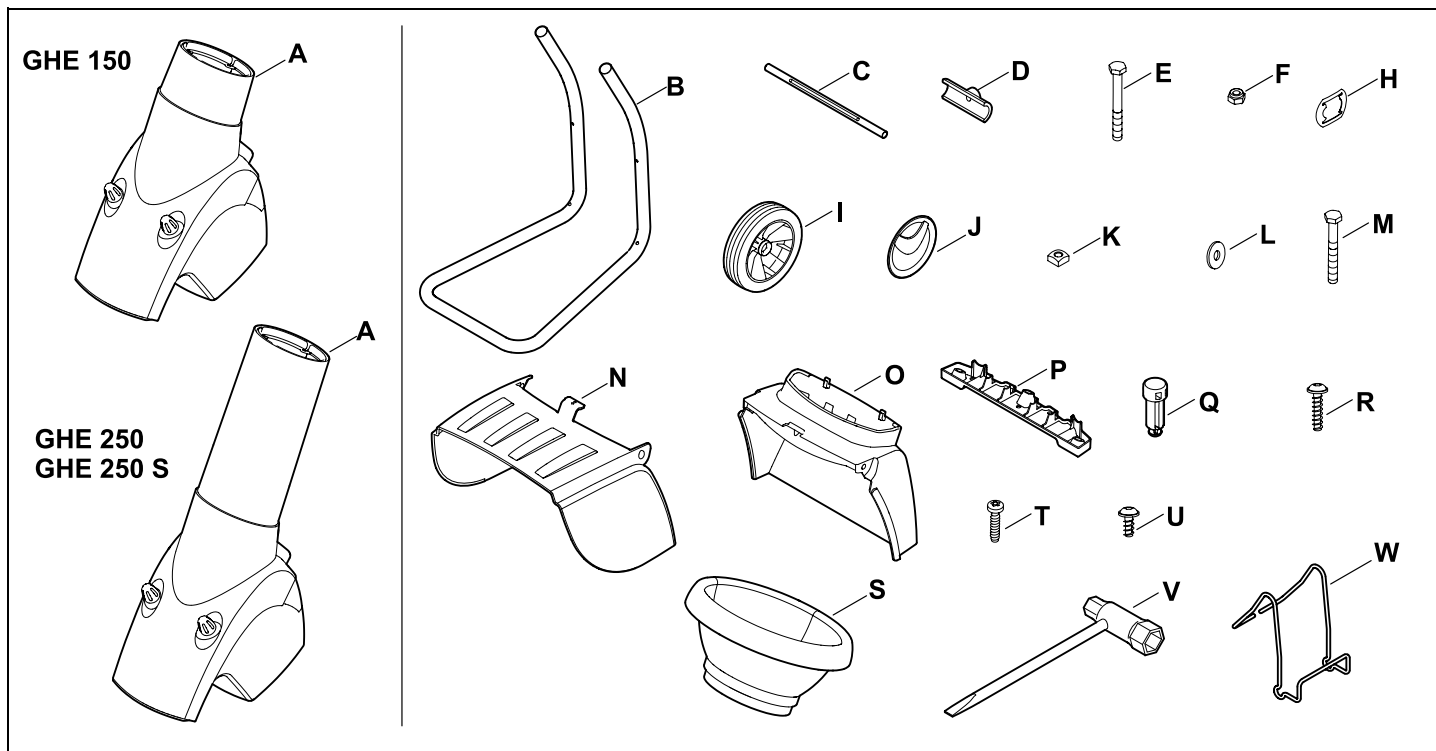
Do not climb onto the machine.



### Risk of injury:

Never put your hands or any other part of your body or clothing into the feed chute or ejection chute.

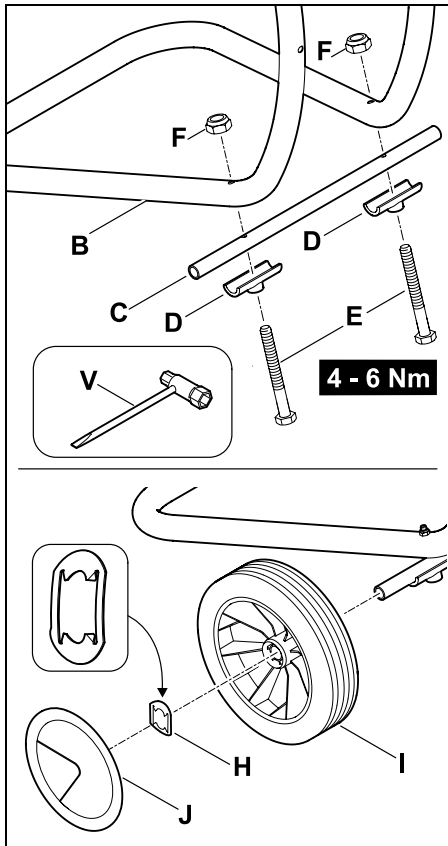
## 6. Standard equipment



Item	Designation	Qty.	Item	Designation	Qty.	Item	Designation	Qty.
A	Basic unit with lower chute	1	L	Washer Ø 17 mm	4	V	Combination spanner	1
B	Wheel carrier	1	M	Bolt, M6 x 50	2	W	Cable clip	1
C	Wheel axle	1	N	Discharge flap	1	•	Instruction manual	1
D	Wheel lock	2	O	Ejection chute extension	1			
E	Bolt, M6 x 55	2	P	Strip	1			
F	Hexagon nut	2	Q	Pin	2			
H	Quick fastener	2	R	Torx screw P5 x 20	3			
I	Wheel	2	S	Upper chute	1			
J	Wheel cap	2	T	Safety screw	4			
K	Square nut	2	U	Torx screw P5 x 10	2			

## 7. Preparing the machine for operation

### 7.1 Attaching the wheel axle and wheels



- Attach wheel axle (C) with wheel locks (D), bolts (E) and hexagon nuts (F) to wheel carrier (B) and tighten using combination spanner (V) (4 - 6 Nm).

- Push wheels (I) onto the mounted wheel axle.



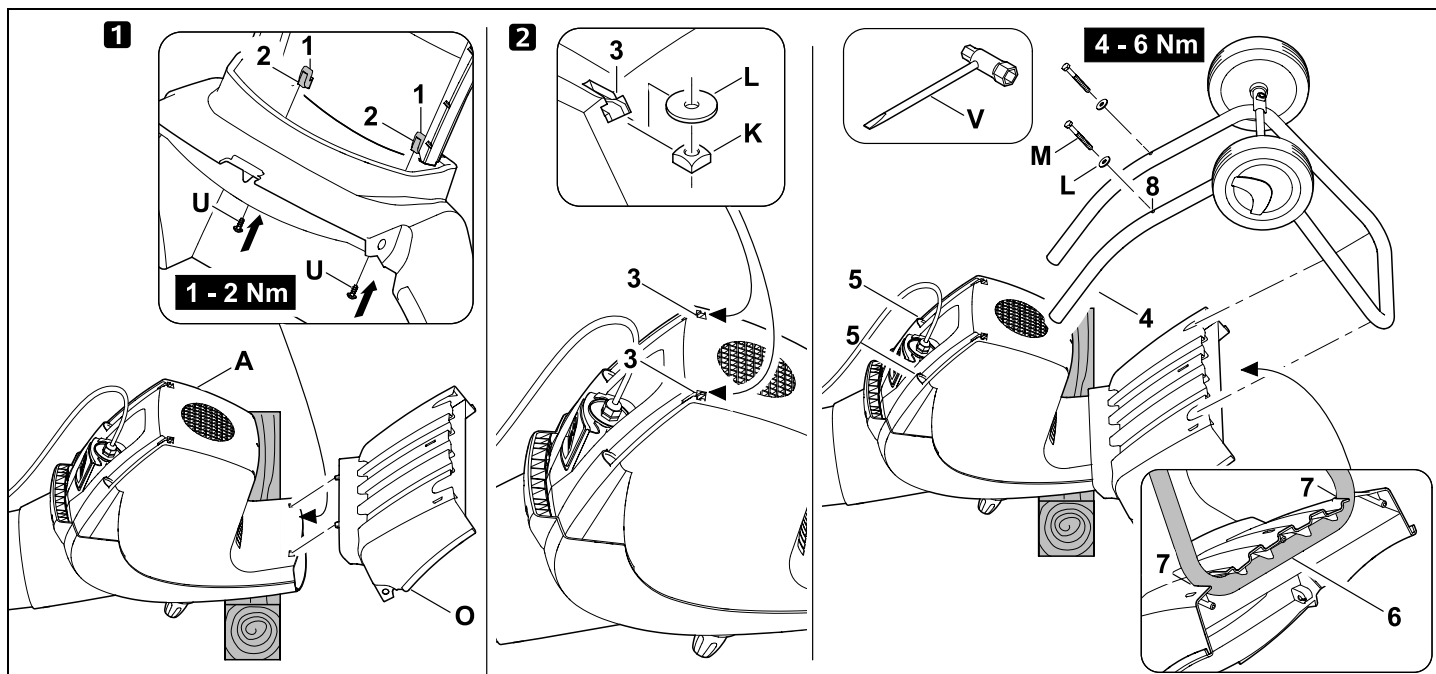
Quick fasteners must be pushed onto the wheel axle only to the extent that the wheels can still turn freely.

Quick fasteners are not reusable following removal.

- Push quick fastener (H) onto the wheel axle with the convex side facing outwards.
- Press wheel caps (J) onto the wheels.



## 7.2 Installing the chassis and ejection chute

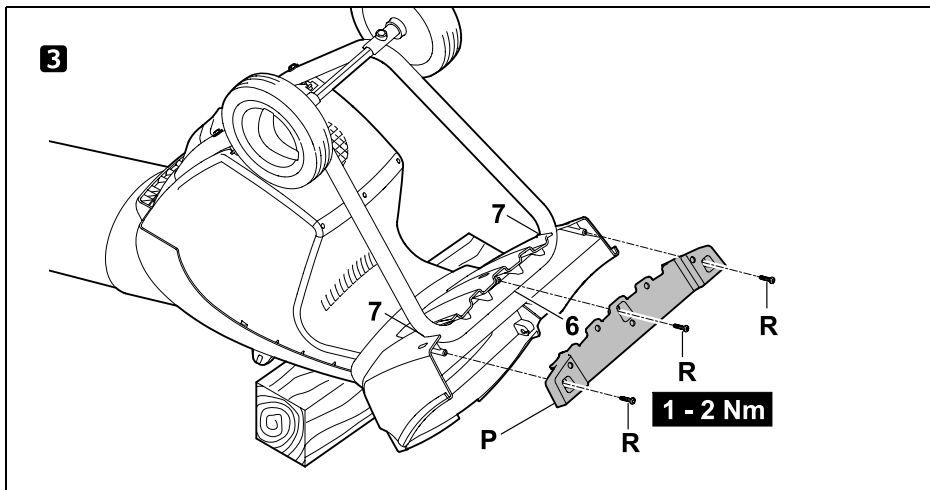


### 1 Install the ejection chute extension

- Place basic unit (A) onto a block of wood with a height of approx. 15-20 cm.
- Engage hooks (1) of ejection chute extension (O) into openings (2) on the rear of basic unit (A) and turn the extension downwards so that the front part of the basic unit is precisely inserted in the opening of the ejection chute extension.
- Fasten screws (U) in the lugs of hooks (1) (**1 - 2 Nm**).

### 2 Attach the chassis

- Press square nuts (K) and washers (L) in the recesses provided on the basic unit (3).
- Push the chassis with both wheel carriers (4) up to the stop in the guides on the basic unit (5).
- Push bent section of wheel carrier (6) into the recess on the ejection chute extension (7).
- Insert the screws (M) with washers (L) the openings in the wheel carriers (8) and fasten using combination spanner (V) (**4 - 6 Nm**).



### 3 Install the strip

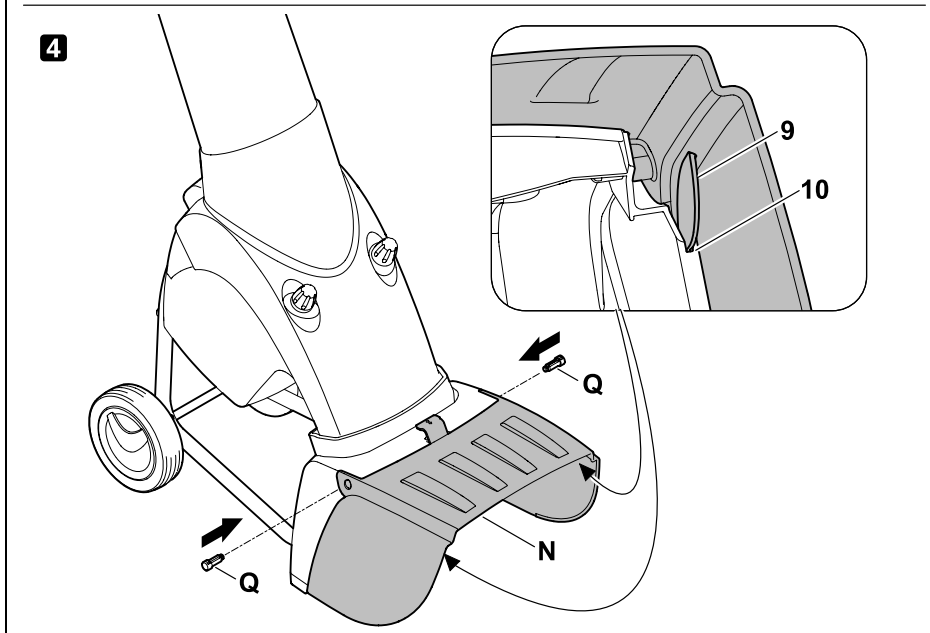
**!** The bent section of wheel carrier (6) must be precisely inserted in the recesses on ejection chute extension (7).

- Position strip (P) and screw in screws (R) (1 - 2 Nm).
- Lift the machine into the upright position.

### 4 Install the discharge flap

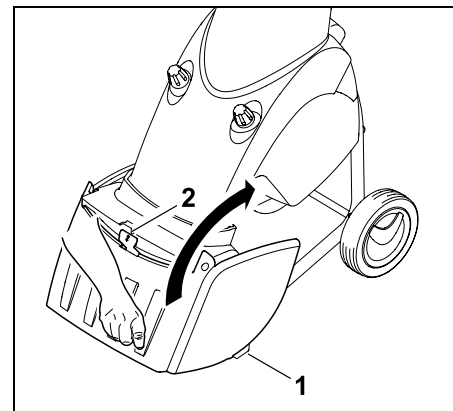
- Attach discharge flap (N) and press in pin (Q) (use a plastic hammer if necessary).

Ensure that ribs (9) inside the discharge flap on the left and right are all correctly located in the guide groove of ejection chute extension (10).



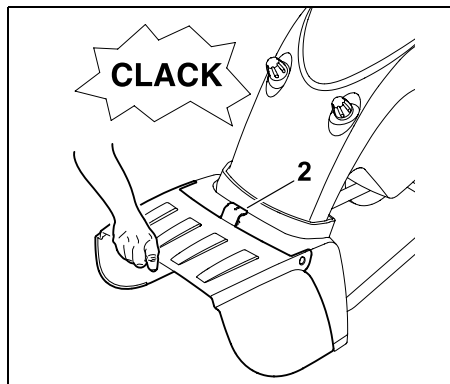
## 7.3 Opening and closing the discharge flap

### Opening the discharge flap:



- For shredding, fold discharge flap (1) upwards and allow tab (2) to engage in the ejection chute extension.

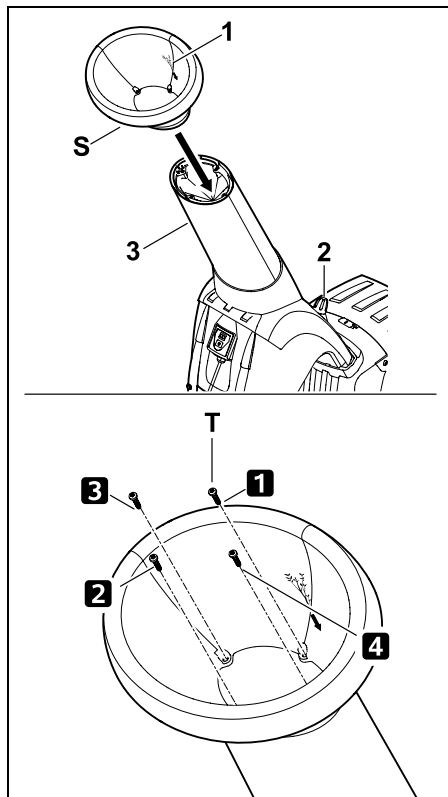
### Closing the discharge flap:



- For transport or space-saving storage, lift tab (2) slightly and fold away discharge flap (1) downwards.

### 7.4 Attaching the upper chute

**i** The chute can only be installed by a specialist dealer using special tools. STIHL recommends STIHL specialist dealers.

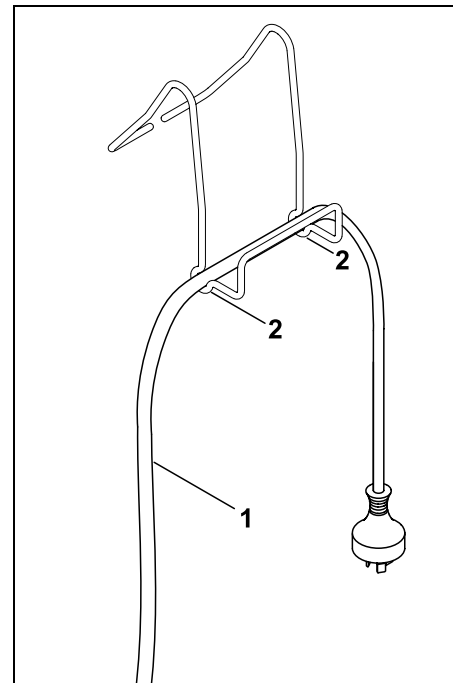


- Place upper chute (S) with symbol (1) facing forwards on lower chute (3) in the direction of closure screws (2).

**i** We recommend following the described installation sequence to prevent the splash guard slipping off when screwing in the screws.

- Screw in screws (T) in the sequence shown (1 2 3 4).

### 7.5 Mounting the cable clip



- Press electric cable (1) into the designated recesses in cable clip (2) as shown.

## 8. Notes on working with the machine

### 8.1 What material can be processed?

- Feeding the garden shredder. (⇒ 8.8)

#### GHE 150, GHE 250 S:

Tree and hedge cuttings as well as thick branch material with side shoots.

## GHE 250:

Organic plant trimmings such as fruit and vegetable cuttings, flower cuttings, leaves, tree and hedge cuttings, as well as thick branches with side shoots and twigs.

**i** Tree and hedge cuttings should be processed when fresh, as the shredding performance is better with fresh than with dried-out or wet material.

### 8.2 What material cannot be processed?

Stones, glass, bits of metal (wire, nails, etc.) or plastic must not be fed into the garden shredder.

#### As a general rule:

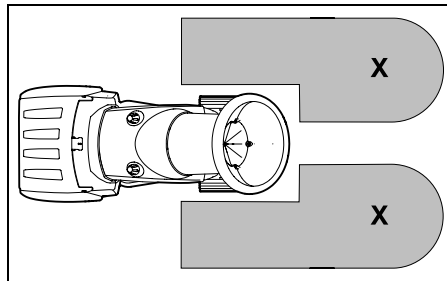
Any materials that do not belong on the compost heap should not be processed using the garden shredder.

### 8.3 Maximum branch diameter

The data relates to freshly cut branch material:

Maximum branch diameter  
GHE 150, GHE 250, GHE 250 S: **35 mm**

### 8.4 Working area for operator



- For safety reasons, the operator must stay within the working area (grey area X) for the entire operating period (while the motor is switched on or the engine is running), particularly in order to prevent injuries due to shredding material that is ejected backwards.

### 8.5 Correct machine load

The load on the motor or engine of the garden shredder must never cause the speed to drop significantly. Always feed the garden shredder continuously and steadily. If the speed drops when working with the garden shredder, stop feeding the machine in order to relieve the load on the motor or engine.

**!** Only switch off the motor when there is no longer any shredding material in the machine. Otherwise, the blade disc may become blocked when operation is resumed.

### 8.6 Overload protection

If an overload of the motor occurs during operation, the built-in overload protection device automatically switches off the motor.

The garden shredder can be started up again after a cooling period of **approx. 10 minutes**. Frequent triggering of the overload protection may be attributable to the following causes:

- Unsuitable electric cable (⇒ 10.1)
- Power overload
- Machine overloaded due to excessive quantities of shredding material or blunt blades

### 8.7 If the cutting unit of the garden shredder is blocked

If the cutting unit of the garden shredder becomes blocked during shredding, immediately switch off the motor and disconnect the power cable. Then remove the feed chute and eliminate the cause of the fault.

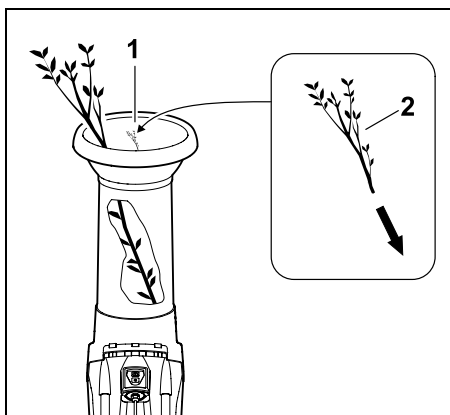
## 8.8 Feeding the garden shredder

**! Risk of injury!**  
Carefully read the "For your safety" section (⇒ 4.), "Working with your machine" sub-section (⇒ 4.6) in particular, and follow all the safety instructions before feeding the garden shredder. It is only permitted for one person to feed the garden shredder.



**Risk of injury!**  
Never reach into the feed opening.

- Before feeding the garden shredder, note the working area. (⇒ 8.4)
- Start the garden shredder. (⇒ 10.2)



### Soft material:

- Throw organic plant trimmings such as fruit and vegetable waste, flower cuttings, leaves, thin branches, etc. into the feed opening (1).

**!** Damp or wet soft material will cause blockages in the machine more quickly. For this reason, feed the garden shredder more slowly and pay particular attention to the motor speed. It should not drop during feeding.

### Hard material:

**i** Cut up thick branches and branches with side shoots (note the maximum branch thickness (⇒ 8.3)) beforehand using loppers.

- Feed tree and hedge cuttings as well as branch material slowly into the feed opening (1). The hard material is automatically drawn in by the machine.

**!** **Risk of injury!**  
The inclined blade unit can cause branches to kick back. In order to prevent injuries caused by kickback, the garden shredder must be fed with hard material in the correct manner:

Insert longer branches at a slight angle and guide them along the right-hand chute wall to the blade unit in accordance with the symbol (2).

**i** Observe the correct motor load. (⇒ 8.5)

## 9. Safety devices

### 9.1 Motor restart inhibitor

The machine can only be started via the switch and not by plugging the electric cable into the mains socket.

## 9.2 Safety interlock

The motor/shredding tool may only be operated when the feed chute has been properly closed. If the right closure screw (machine viewed from the front) becomes loose during operation, the motor is switched off automatically and after a few seconds the shredding tool comes to a standstill.

### 9.3 Motor run-down brake

The motor run-down brake shortens the run-down time from when the machine is switched off until the blades stop to a few seconds.

### 9.4 Protective covers

The garden shredder is equipped with protective covers in the feeding and ejection areas. These include the complete feed chute with the upper chute and splash guard, the ejection chute extension and the discharge flap.

The protective covers ensure that a safe distance is maintained from the shredding blades.

## 10. Operating the machine

**!** **Risk of injury:**  
Carefully read the section entitled "For your safety" (⇒ 4.) and follow all the safety instructions before operating the garden shredder.

## 10.1 Electrical connection of garden shredders

**! Risk of injury!**  
Observe the instructions in the "Warning – dangers caused by electrical current" section (⇒ 4.2).

Power supply and operating voltage must correspond (see rating plate).

The power cable must be adequately protected by fuse in line with the respective national electrical installation regulations. (⇒ 16.)

Only electric cables which are no lighter than rubber sheathed cables **H07 RN-F** may be used.

The minimum cross-section of the power cable must be **3 x 1.5 mm<sup>2</sup>** for a length of **up to 25 m** or **3 x 2.5 mm<sup>2</sup>** for a length of **over 25 m**.

The plug connections must be splash proof.

Unsuitable extension cables lead to a loss of power and may result in damage to the motor.

Extension cable plugs and connectors must conform to the standard **AS/NZS 3112**.

Use a splash-proof coupling box (protection class IPX4) when using an extension cable.

This machine is intended for operation with a power supply having a system impedance of  $Z_{max}$  at the transfer point (house connection) of maximum **0.323 ohms at 50 Hz**.

The user must ensure that the machine is only operated with a power supply which meets this requirement.

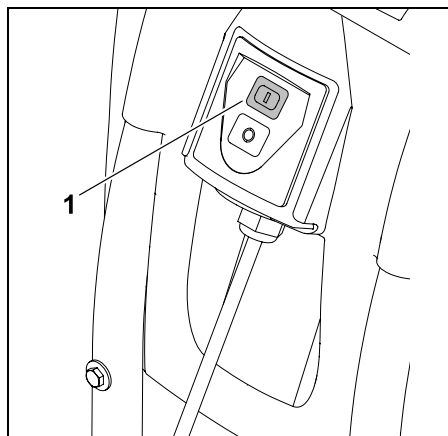
If necessary, this information can be obtained from the local electric power company.

**i** Your electrician can provide further information on mains connection.

## 10.2 Switching on the garden shredder

**! Risk of injury!**  
There must be no shredding material in the machine when it is switched on as it may be expelled.

The blade disc locking device must always be tilted back to the stop. (⇒ 11.4)



- Connect the power cable.
- Press green button (1) on the switch.

The garden shredder starts up.

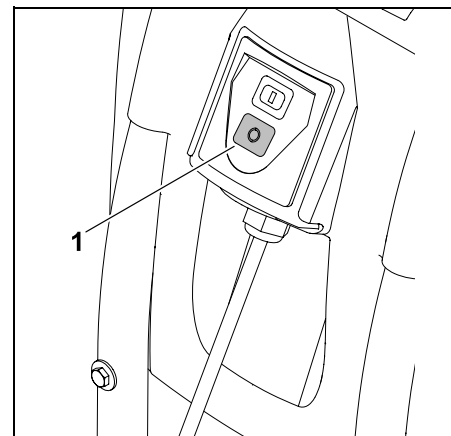
**i** Only begin to feed the shredding material once the motor has reached the maximum speed (idling speed).

## 10.3 Switching off the garden shredder

**! Risk of injury!**  
Do not step into the ejection area when switching off!

Stand to the side of the machine to do so.

Beware of the work tools running on for several seconds before coming to a standstill after switching off the motor.



- Press red button (1) on the switch.

The garden shredder motor is switched off and braked automatically.

**! Risk of injury!**  
Only switch off the motor when there is no longer any shredding material in the machine. Otherwise, the blade disc may become blocked when operation is resumed.

## 10.4 Shredding

- Push the garden shredder onto firm and level ground and set down safely.

- Put on thick gloves, safety glasses and hearing protection.
- Open the discharge flap. (⇒ 7.3)
- Connect the power cable of the garden shredder.
- Start the garden shredder. (⇒ 10.2)
- Wait until the garden shredder has reached its maximum speed (idling speed).
- Feed the garden shredder with shredding material in the correct way. (⇒ 8.8)
- Switch off the garden shredder. (⇒ 10.3)

## 11. Maintenance



### Risk of injury:

Carefully read the section "For your safety" (⇒ 4.), particularly the subsection "Maintenance and repairs" (⇒ 4.7), and follow all safety instructions exactly before performing any maintenance or cleaning operations on the machine.

Disconnect the mains plug before performing any maintenance operations.

### 11.1 Cleaning the machine

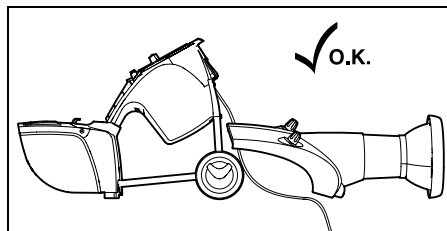
#### Maintenance interval: After each use

Clean the machine thoroughly each time it has been used. Care of the machine will protect it against damage and extend its service life.

Electric motors are splashproof.

Protect shredding tools, incl. the shredding chamber using a commercially available anti-corrosion agent (e.g. rapeseed oil).

It is only permitted to clean the machine in the position shown.



- Remove the feed chute. (⇒ 11.3)

Remove dirt from the cooling air guide (inlet slots) on the motor housing to ensure that the motor is adequately cooled.



**Never spray water** onto motor or engine components, seals, bearing points or electrical parts such as switches. This would result in expensive repairs.



If you are unable to remove the dirt and accumulated deposits with a brush, a damp cloth or a stick, STIHL recommends the use of a special cleaner (e.g. STIHL special cleaner).

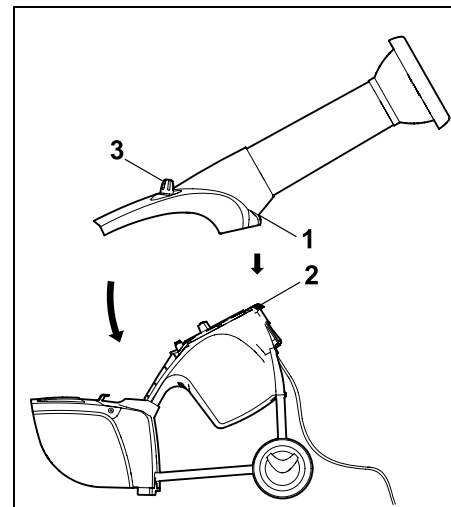
Do not use aggressive cleaning agents.

Clean the blade discs regularly.

### 11.2 Installing the feed chute

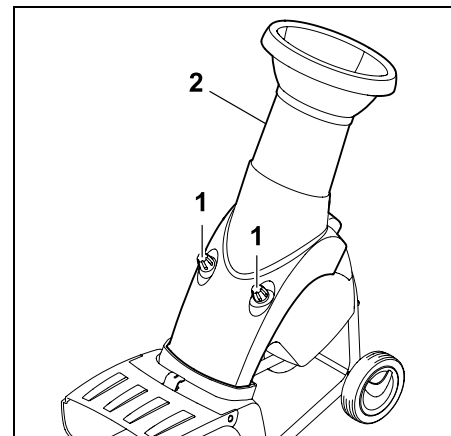


The closure screws are securely fastened to the feed chute.



- Attach feed chute (1) to the fastening hooks on basic unit (2) and pivot forwards.
- Tighten both closure screws (3) **simultaneously**.

### 11.3 Removing the feed chute



- Loosen both closure screws (1) until they turn freely. They remain on the feed chute.
- Pivot feed chute (2) to the rear and remove.

#### 11.4 Locking the blade disc

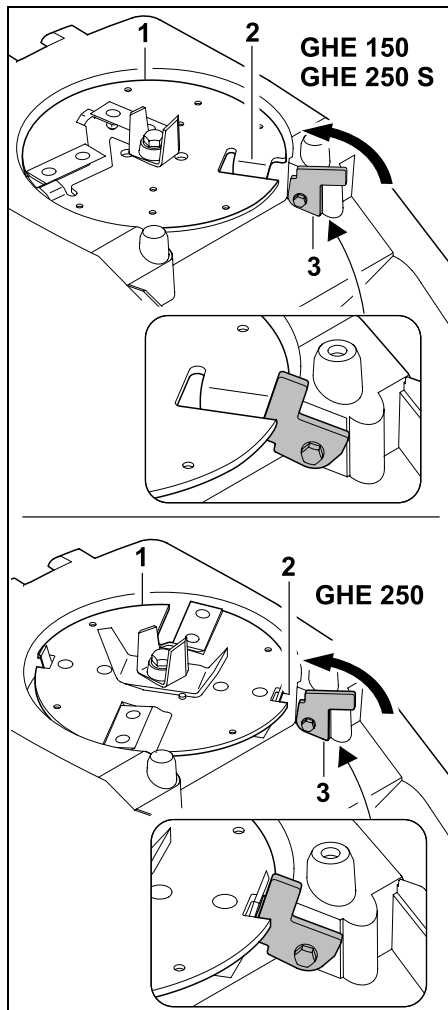


##### **Risk of injury!**

Always wear gloves!

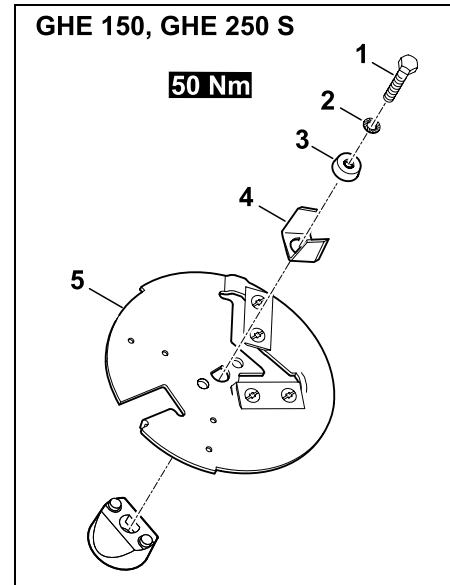


Do not touch the blades until they have come to a standstill.

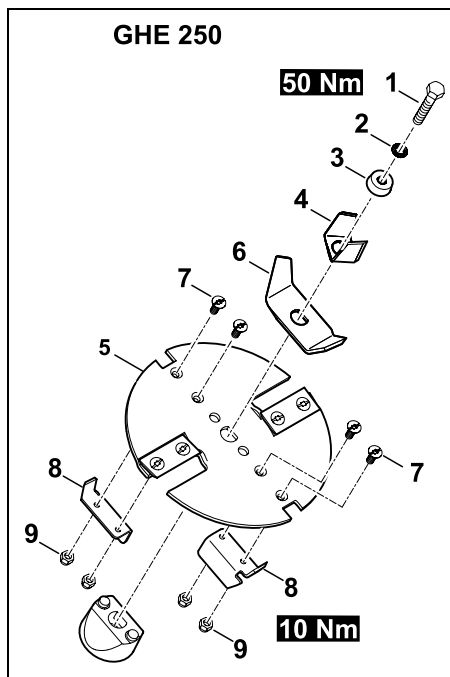


- Remove the feed chute. (⇒ 11.3)
- Turn blade disc (1) until recess (2) is located in front of locking device (3).
- Fold up locking device (3).

#### 11.5 Removing the blade set







- Lock blade disc (5). (⇒ 11.4)
- Loosen bolt (1) using combination spanner (V).
- Remove bolt (1), retaining washer (2), clamping ring (3), wing blade (4), wing blade (6, only with GHE 250) and blade disc (5).
- Remove the reversible blade. (⇒ 11.8)
- **GHE 250:** Unscrew bolts (7) and remove together with nuts (9). Remove shredding blades (8) downwards.

## 11.6 Installing the blade set



The installation sequence and specified tightening torque must be observed.

- Install the reversible blade on the blade disc. (⇒ 11.8)
- **GHE 250:** Position shredding blades (8) on the underside of blade disc (5) and tighten using nuts (9) and bolts (7) (**10 Nm**).
- Insert blade disc (5) in the housing and lock. (⇒ 11.4)
- Install wing blade (6, only on GHE 250), wing blade (4), clamping ring (3) and retaining washer (2) and tighten using bolt (1) (**50 Nm**).
- Fold the locking device back so that the blade disc can turn freely again. (⇒ 11.4)
- Install the feed chute. (⇒ 11.2)

## 11.7 Blade maintenance



**Risk of injury!**  
Always wear thick gloves!



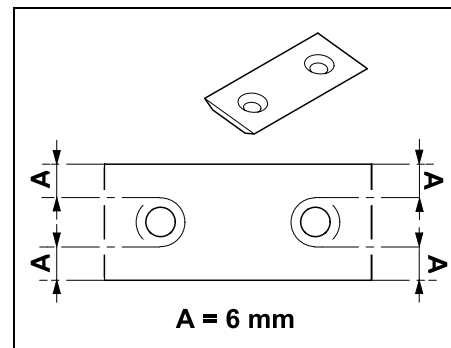
### Maintenance interval: Before each use

- Remove the feed chute. (⇒ 11.3)
- Lock the blade disc. (⇒ 11.4)
- Check the blades for damage (notches or cracks) and wear; reverse or replace if necessary.

## Wear limits of the blades:

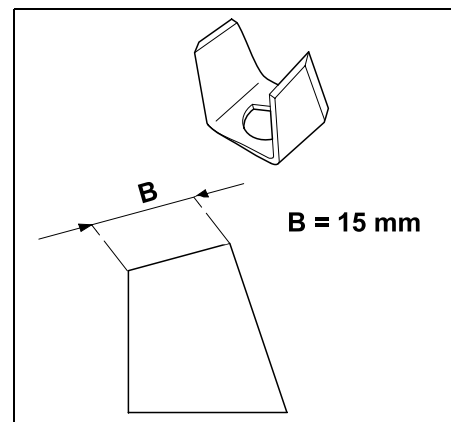


The blades must be reversed or replaced before the specified wear limits are reached. STIHL recommends STIHL specialist dealers.



### **I** Reversible blade

- On the blades, measure the distance (A) between the bore to the edge of the blade at several points. Minimum clearance:  
**A = 6 mm**

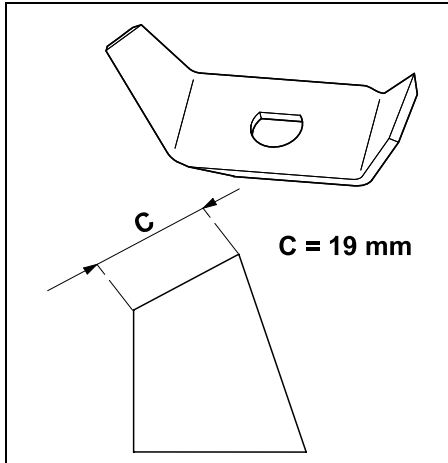


## 2 Wing blade

- Measure the blade width (B) at the upward-pointing curved edge of the wing blade.

Minimum blade width:

**B = 15 mm**



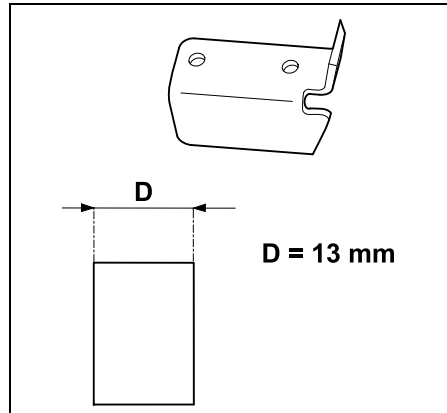
**C = 19 mm**

## 3 Wing blade (GHE 250)

- Measure the blade width (C) at the upward-pointing curved edge of the wing blade.

Minimum blade width:

**C = 19 mm**



**D = 13 mm**

## 4 Shredding blades (GHE 250)

- Measure the blade width (D) at the upward-pointing curved edge of the shredding blade.

Minimum blade width:

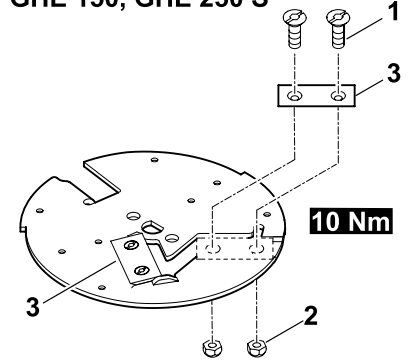
**D = 13 mm**

## 11.8 Reversing the blades

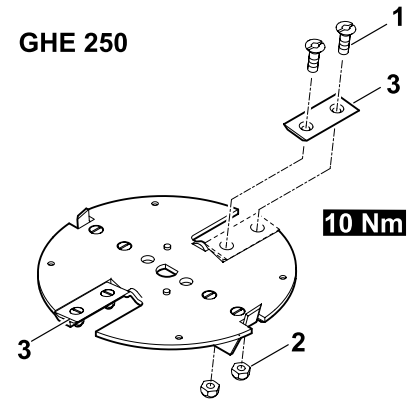


Blunt reversible blades can be reversed once. Always reverse both blades.

## GHE 150, GHE 250 S



## GHE 250



- Remove the blade set. (⇒ 11.5)
- Unscrew bolts (1) and remove together with nuts (2).
- Remove blade (3) upwards.
- Clean the blade disc.
- Reverse blade (3) and place onto the blade disc with the sharp edge exposed and align the bores.
- Insert bolts (1) through the bores and screw on nuts (2). Tighten nuts (2) to **10 Nm**.
- Install the blade set. (⇒ 11.6)

## Sharpening the blades:

Blades which are blunt on both sides must be sharpened before resuming work. In order to ensure optimum machine operation, the blades should only be sharpened by a technician. STIHL recommends STIHL specialist dealers.

- Remove the blades for sharpening.
- Cool the blades when sharpening, e.g. with water. The blade must not be allowed to display blue colouring, as this would reduce its cutting quality.
- Sharpen the blade evenly to prevent vibrations due to imbalance.
- Check blades for damage before installing: the blades must be replaced if notches or cracks are visible or if the blades have reached the wear limits.
- Sharpen blades at a sharpening angle of **30°**.
- Sharpen the blades against the cutting edge.
- After sharpening, remove any sharpening burr at the cutting edge using fine sandpaper.
- Observe the tightening torques contained in the "Reversing the blades" section when installing the blades.

## 11.9 Electric motor and wheels

The electric motor is maintenance-free.

The wheel bearings are maintenance-free.

## 11.10 Storage and winter break

Store the garden shredder in a dry and locked place that is generally free of dust. Make sure that the machine is kept out of the reach of children.

Only store the garden shredder in good operating condition and with the feed chute fitted.

Note the following points when storing the garden shredder for extended periods (over winter):

- Thoroughly clean all external parts of the machine.
- Thoroughly lubricate/grease all moving parts.

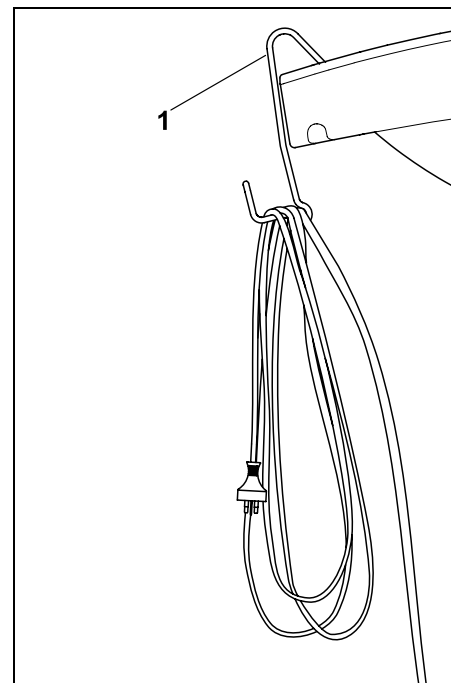
## 12. Transport



### Risk of injury!

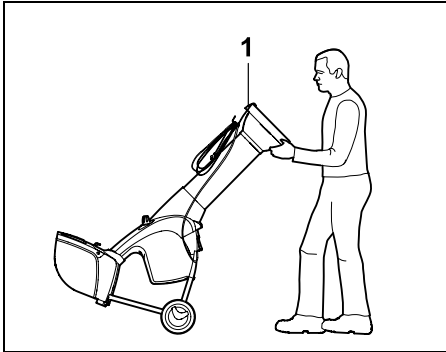
Before transporting, carefully read and observe the section "For your safety", in particular the "Transporting the machine" section. (⇒ 4.4)

## 12.1 Winding up the cable



- Attach cable clip (1) at the edge of opening (2).
- Store the rest of the electric cable on the cable clip.

## 12.2 Pulling or pushing the garden shredder



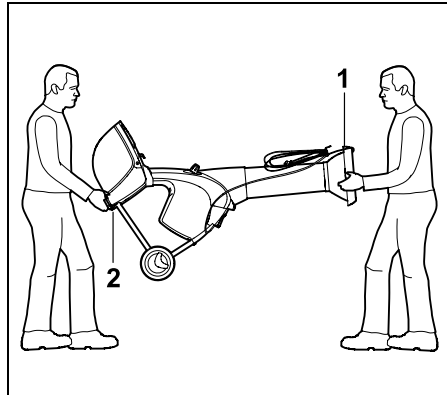
- Hold the garden shredder at the upper chute (1) and tilt to the rear.
- The garden shredder can be pulled or pushed slowly (walking pace).

## 12.3 Lifting or carrying the garden shredder



At least two persons are always required to lift and carry the machine.

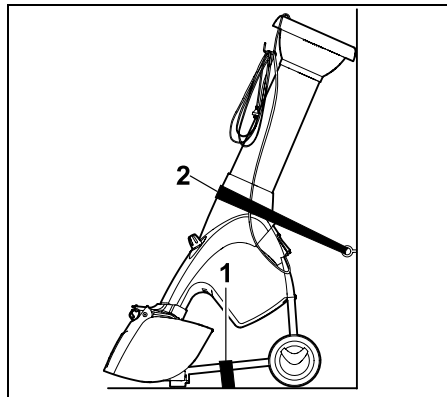
Wear suitable protective clothing; the lower arms and upper part of the body must be fully covered.



- 1st person: Hold the garden shredder at the handles on the upper chute (1).
- 2nd person: Hold the garden shredder at the strip of the ejection chute extension (2).
- Lift the garden shredder simultaneously.

- Secure the machine against slipping using suitable fastening materials. Attach ropes or straps to wheel carrier (1) or feed chute (2).

## 12.4 Transporting the garden shredder on a load floor



## 13. Minimising wear and preventing damage

### Important information on maintenance and care of the product group

#### Electric garden shredder (STIHL GHE)

STIHL assumes no liability for material or personal damage caused by the non-observance of information contained in the operating instructions, in particular with regard to safety, operation and maintenance, or which arise through the use of unauthorised attachment or spare parts.

Please always observe the following important information for the prevention of damage or excessive wear to your STIHL machine:

#### 1. Wearing parts

Some parts of the STIHL machine are subject to normal wear even when used properly and must be replaced in due time depending on type and duration of use.

These include:

- Blade
- Blade disc

#### 2. Compliance with the information in this instruction manual

The STIHL machine must be used, maintained and stored with the care described in this instruction manual. Any damage caused by non-compliance with the safety, operating and maintenance instructions is the sole responsibility of the user.

This applies in particular to:

- Inadequately dimensioned power cables (cross section)

- Incorrect electrical connection (voltage)
- Product modifications not approved by STIHL
- Use of tools or accessories which are not approved or suitable for the machine, or are of inferior quality
- Improper use of the product
- Use of the product for sporting or competitive events
- Resultant damage due to continued use of the product with defective components.

#### 3. Maintenance operations

All operations listed in the section "Maintenance" must be performed regularly.

If these maintenance operations cannot be carried out by the user, a specialist dealer must be commissioned to perform them.

STIHL recommends that you have maintenance operations and repairs performed exclusively by a STIHL specialist dealer.

STIHL specialist dealers regularly attend training courses and are provided with technical information.

If these operations are neglected, faults may arise which are the responsibility of the user.

These include:

- Damage to the motor as a result of inadequate cleaning of the cooling air guide (inlet slots, cooling ribs, fan wheel).
- Corrosive and other resultant damage caused by incorrect storage.
- Damage to the machine through the use of inferior-quality spare parts.

- Damage due to untimely or inadequate maintenance or damage due to maintenance or repair work not performed in the workshops of specialist dealers.

## 14. Standard spare parts

Reversible blade:  
6008 702 0121

Wing blade:  
6008 702 0300

**GHE 150, GHE 250 S**  
Blade disc assembly:  
6008 700 5120

**GHE 250**  
Blade disc assembly:  
6008 700 5117

Wing blade:  
6008 702 0310

Shredding blades:  
6008 702 0110

## 15. Environmental protection



Shredding material should be composted and not disposed of in household waste.

The machine, its packaging and accessories are all produced from recyclable materials and must be disposed of accordingly.

By disposing of materials separately, and in an environmentally friendly manner, valuable resources can be re-used. For this reason, the machine should be disposed of for recycling at the end of its useful life.

## 16. Technical specifications

### GHE 150.0/GHE 250.0/GHE 250.0 S:

Motor, design	Electric motor
Power	2200 W
Amperage rating	10 A
Rated voltage	230 V~
Speed	2800 rpm
Main fuse <sup>1</sup>	10 A
Frequency	50 Hz
Protection class	I
Type of protection	Splash proof (IPX4)
Operating conditions	P40
	40 s load time
	60 s idle time

### GHE 150.0:

In accordance with Directive 2000/14/EC:	
Guaranteed sound power level $L_{WAAd}$	99 dB(A)
In accordance with Directive 2006/42/EC:	
Sound pressure level at workplace $L_{pA}$	89 dB(A)
Uncertainty $K_{pA}$	2 dB(A)
Bolt tightening torques:	
Blade disc	50 Nm
Reversible blade	10 Nm
Weight	27 kg
L/W/H	95/48/114 cm

### GHE 250.0/GHE 250.0 S:

In accordance with Directive 2000/14/EC:	
Guaranteed sound power level $L_{WAAd}$	103/100 dB(A)
In accordance with Directive 2006/42/EC:	
Sound pressure level at workplace $L_{pA}$	92/90 dB(A)
Uncertainty $K_{pA}$	3 dB(A)
Bolt tightening torques:	
Blade disc	50 Nm
Reversible blade	10 Nm
Shredding blades <sup>2</sup>	10 Nm
Weight	29/28 kg
L/W/H	107/48/143 cm

#### 1) Caution!

In the case of mains fuses of less than 15 A, these may be tripped during start-up or in the case of high load operation of the machine.

#### 2) For model GHE 250.0

## 17. Troubleshooting

✂ If necessary, contact a specialist dealer; STIHL recommends STIHL specialist dealers.

### Fault:

Motor does not start

### Possible cause:

- Motor overload protection activated
- No mains voltage
- Electric cable, plug, plug connector or switch defective

- Feed chute not properly closed - safety cut-off switch actuated (motorstop)
- Blade disc blocked
- Locking device is not reset

### Remedy:

- Allow machine to cool down (⇒ 8.6)
- Check power cable and fuse ✂ (⇒ 10.1)
- Check cable, plug, connector and switch and replace if necessary (by electrician) ✂ (⇒ 10.1)
- Close feed chute properly and tighten screws (⇒ 11.2)
- Remove feed chute and remove shredder deposits from the housing (Important: disconnect the power cable) (⇒ 11.3)
- Reset locking device (⇒ 11.4)

### Fault:

Reduced shredding performance

### Possible cause:

- Blunt blades

### Remedy:

- Reverse, re-sharpen or replace shredding blades ✂ (⇒ 11.7)

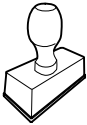
## 18. Service schedule

### 18.1 Handover confirmation

**Model:** \_\_\_\_\_

**Serial number:**

**Date:**




Next service


**Date:**

### 18.2 Service confirmation



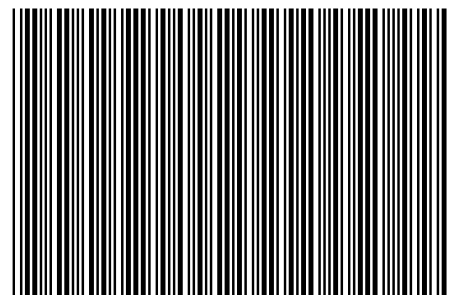
Please hand this instruction manual to your STIHL specialist dealer in the case of maintenance operations. He will confirm the service operations performed in the pre-printed boxes.

 Service performed on

 Next service date

STIHL GHE 150, GHE 250, GHE 250 S

**STIHL**



0478 201 8313 B

**B**

**AUS/NZ**