

STIHL

STIHL RMA 460 V

**Instruction Manual
Manual de instrucciones
Manual de instruções de serviços**



- Ⓞ **GB** Instruction Manual
1 - 28
- Ⓞ **E** Manual de instrucciones
29 - 58
- Ⓞ **BR** Manual de instruções de serviços
59 - 88

Contents

1	Introduction	2
2	Guide to Using this Manual	2
2.1	Applicable Documentation	2
2.2	Warning Notices in Text	3
2.3	Symbols in Text	3
3	Overview	3
3.1	Mower and Battery	3
3.2	Symbols	4
4	Safety Precautions	5
4.1	Warning Symbols	5
4.2	Intended Use	6
4.3	The Operator	6
4.4	Clothing and Equipment	7
4.5	Work Area and Surroundings	7
4.6	Safe Condition	8
4.7	Operation	10
4.8	Transporting	11
4.9	Storing	11
4.10	Cleaning, Maintenance and Repairs	12
5	Preparing the Lawn Mower for Operation	13
5.1	Preparations	13
6	Charging the Battery, LEDs	13
6.1	Charging the Battery	13
6.2	State of Charge	14
6.3	LEDs on Battery	14
7	Assembling the Lawn Mower	14
7.1	Mounting the Handle	14
7.2	Fitting and Removing the Grass Box	14
7.3	Fitting and Removing the Mulch Plug	15
7.4	Fitting and Removing the Chute	15
7.5	Fitting and Removing the Blade	16
8	Adjusting Lawn Mower for the User	17
8.1	Unfolding and Adjusting the Handle	17
8.2	Folding the Handle	17
9	Inserting and Removing Activation Key	18
9.1	Inserting the Activation Key	18
9.2	Removing the Activation Key	18
10	Removing and Fitting the Battery	18
10.1	Fitting the Battery	18
10.2	Removing the Battery	19
11	Switching the Lawn Mower On and Off	19
11.1	Switching On the Mower	19
11.2	Switching Off the Mower	20
12	Switching the Drive On and Off	20
12.1	Switching On Drive	20
12.2	Switching Off Drive	20
13	Checking the Lawn Mower and Battery	20
13.1	Checking the Controls	20
13.2	Checking the Blade	21
13.3	Testing the Battery	21
14	Operating the Lawn Mower	22
14.1	Holding and Controlling the Mower	22
14.2	Adjusting Cutting Height	22
14.3	Switching on ECO Mode	22
14.4	Mowing and Mulching	23
15	After Finishing Work	23
15.1	After Finishing Work	23
16	Transporting	23
16.1	Transporting the Mower	23
16.2	Transporting the Battery	23
17	Storing	24
17.1	Storing the Mower	24
17.2	Storing the Battery	24
18	Cleaning	24
18.1	Standing the Mower on End	24
18.2	Cleaning the Mower	24



This instruction manual is protected by copyright. All rights reserved, especially the rights to reproduce, translate and process with electronic systems.

18.3 Cleaning the Battery	25
19 Maintenance	25
19.1 Sharpening and Balancing the Blade	25
20 Repairing	25
20.1 Repairing the Mower and Battery	25
21 Troubleshooting	26
21.1 Troubleshooting Mower and Battery	26
22 Specifications	28
22.1 STIHL RMA 460.0 V Mower	28
22.2 Blade	28
22.3 STIHL AK Battery	28
22.4 REACH	28
23 Spare Parts and Accessories	28
23.1 Spare Parts and Accessories	28
24 Disposal	28
24.1 Disposing of Mower and Battery	28

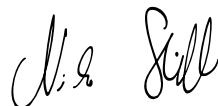
1 Introduction

Dear Customer,

Thank you for choosing STIHL. We develop and manufacture our quality products to meet our customers' requirements. The products are designed for reliability even under extreme conditions.

STIHL also stands for premium service quality. Our specialist dealers guarantee competent advice and instruction as well as comprehensive service support.

We thank you for your confidence in us and hope you will enjoy working with your STIHL product.



Dr. Nikolas Stihl

IMPORTANT: READ BEFORE USE AND KEEP IN A SAFE PLACE.

2 Guide to Using this Manual

2.1 Applicable Documentation

Local safety regulations apply.

- ▶ Read, understand and save the following documents in addition to this instruction manual:
 - Safety notes and precautions for STIHL AK battery.
 - Instruction manual for STIHL AL 101, 300, 500 chargers
 - Safety information for STIHL batteries and products with built-in batteries: www.stihl.com/safety-data-sheets

2.2 Warning Notices in Text

DANGER

This notice refers to risks which result in serious or fatal injury.

- ▶ Serious or fatal injuries can be avoided by taking the precautions mentioned.

WARNING

This notice refers to risks which **can** result in serious or fatal injury.

- ▶ Serious or fatal injuries can be avoided by taking the precautions mentioned.

NOTICE

This notice refers to risks which can result in damage to property.

- ▶ Damage to property can be avoided by taking the precautions mentioned.

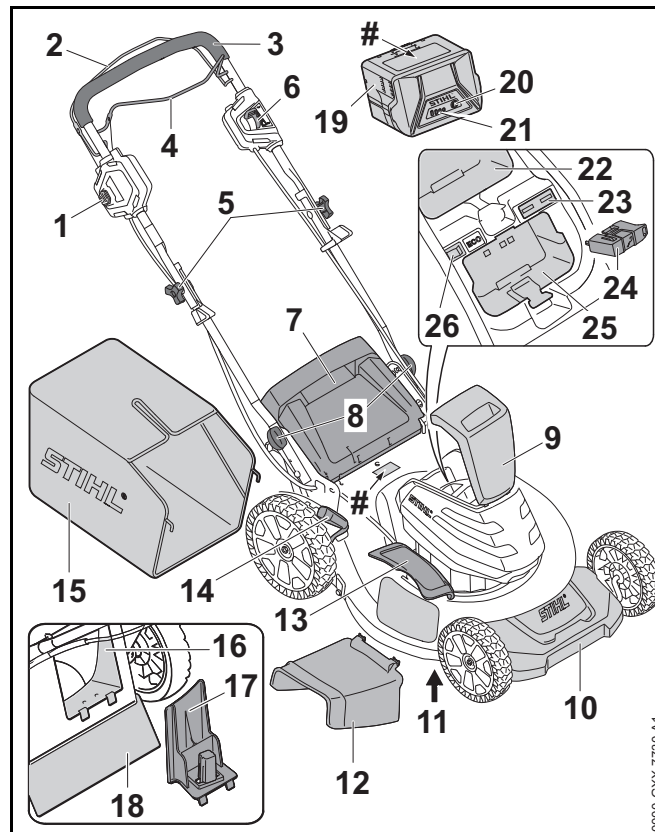
2.3 Symbols in Text



This symbol refers to a chapter in this instruction manual.

3 Overview

3.1 Mower and Battery



1 Lock Button

Switches the mower on and off in combination with the switch lever for blade drive.

2 Switch Lever for Blade Drive

Switches the mower on and off in combination with lockout button.

3 Handle

For holding, controlling and transporting the mower.

4 Switch Lever for Wheel Drive

Switches wheel drive on and off.

5 Star Knob Nut

Secures upper handle section to the lower handle section.

6 Lever

Adjusts wheel drive speed.

7 Discharge Shield

Closes the discharge duct.

8 Lever

Locks the handle adjuster.

9 Lid

Covers the battery, ECO switch and activation key and protects them from ingress of dust and dirt.

10 Cover

Covers front axle and is used for carrying the mower.

11 Blade

Mows and mulches grass.

12 Side Chute

Discharges grass cuttings on lawn.

13 Side Discharge Shield

Closes the side discharge duct.

14 Lever

Adjusts cutting height.

15 Grass Box

Collects the grass cuttings.

16 Rear Discharge Duct

Diverts grass cuttings into the grass box.

17 Mulch Plug

Closes the rear discharge duct.

18 Deflector

Protects user from flying debris and contact with the blade.

19 Battery

Supplies power to the mower.

20 Button

Activates the LEDs on the battery.

21 LEDs

Indicate battery's state of charge and malfunctions.

22 Battery Compartment

Accommodates a spare battery.

23 Key Socket

Accommodates the activation key.

24 Activation Key

Activates the mower.

25 Battery Compartment

Accommodates the battery.

26 ECO Switch

Switches the ECO mode on and off.

Rating Label with Serial Number**3.2 Symbols**

Meanings of symbols that may be on the mower and battery:



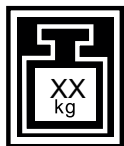
This symbol marks the activation key.



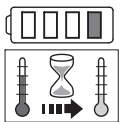
This symbol marks the key's socket.



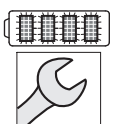
This symbol marks the ECO switch.



This symbol shows the weight of the mower.



1 LED glows red. Battery too hot or too cold.



4 LEDs flash red. There is a malfunction in the battery.



LED glows green and LEDs on battery glow or flash green. Battery is being charged.



LED flashes red. No electrical contact between battery and charger or malfunction in battery or charger.



LWA Guaranteed sound power level according to directive 2000/14/EC in dB(A) in order to make sound emissions of products comparable.



The data next to this symbol indicates the energy content of the battery according to the cell manufacturer's specification. The energy content available during operation is lower.



Do not dispose of the product with your household waste.



Mower travels at maximum speed in this position.



Mower travels at lowest speed in this position.

4 Safety Precautions

4.1 Warning Symbols

Meanings of warning symbols on the mower and battery:



Observe safety notices and take the necessary precautions.



Read, understand and save the instruction manual.



Wear safety glasses.



Observe safety notices on flying debris and take the necessary precautions.



Do not touch the rotating cutting blade.



Always remove the battery during work breaks, transport, storage, maintenance or repairs.



Always remove the activation key during work breaks, transport, storage, maintenance or repairs.



Maintain safe distance.



Protect battery from heat and fire.



Protect the mower and battery from rain and damp – do not immerse in fluids.



Observe battery's permissible temperature range.

4.2 Intended Use

The STIHL RMA 460 mower is designed for mowing and mulching dry grass.

The mower must not be used in the rain.

A STIHL AK battery supplies the mower with power.

⚠ WARNING

- Batteries not explicitly approved for the mower by STIHL may cause a fire or explosion. This can result in serious or fatal injuries and damage to property.
 - ▶ Use the mower with a STIHL AK battery.
- Using the mower or the battery for purposes for which they were not designed may result in serious or fatal injuries and damage to property.
 - ▶ Use the mower and battery as described in this instruction manual.

4.3 The Operator

⚠ WARNING

- Users without adequate training or instruction cannot recognize or assess the risks involved in using the mower and battery. The user or other persons may sustain serious or fatal injuries.



- ▶ Read, understand and save the instruction manual.

- ▶ If you pass the mower or battery on to another person: Always give them the instruction manual.
- ▶ Make sure the user meets the following requirements:
 - The user must be rested.
 - The user must be in good physical condition and mental health to operate and work with the mower and battery. If the user's physical, sensory or mental ability is restricted, he or she may work only under the supervision of or as instructed by a responsible person.
 - The user is able to recognize and assess the risks involved in using the mower and battery.
 - The user must be of legal age or is being trained in a trade under supervision in accordance with national rules and regulations.
 - The user has received instruction from a STIHL servicing dealer or other experienced user before working with the mower for the first time.
 - The user must not be under the influence of alcohol, medication or drugs.
- ▶ If you have any queries: Contact a STIHL servicing dealer for assistance.

4.4 Clothing and Equipment

⚠ WARNING

- Objects can be thrown through the air at high speed during operation. This can result in personal injury.



- ▶ Wear close-fitting safety glasses. Suitable safety glasses that have been tested and labeled in accordance with EN 166 or national standards are available from retailers.

- ▶ Wear long trousers made of durable material.
- Dust can be whipped up during operation: Whipped up dust can damage the respiratory passages and cause allergic reactions.
 - ▶ Wear a respirator.
- Inappropriate clothing can snag on wood, brush or the mower. Not wearing personal protective equipment may result in serious injury.
 - ▶ Wear snug-fitting clothing.
 - ▶ Do not wear a scarf or jewelry.
- The user can come into contact with the rotating blade during operation. This can result in serious injuries.
 - ▶ Wear footwear made of durable material.
 - ▶ Wear long trousers made of durable material.
- The user can come into contact with the cutting blade during cleaning and maintenance work. This can result in personal injury.
 - ▶ Wear work gloves made of durable material.
- Wearing unsuitable footwear may cause you to slip or stumble. This can result in personal injury.
 - ▶ Wear sturdy enclosed footwear with non-slip soles.

4.5 Work Area and Surroundings

4.5.1 Mower

⚠ WARNING

- Bystanders, children and animals cannot recognize or assess the dangers of the mower or flying debris. Bystanders, children and animals may be seriously injured and damage to property may occur.



- ▶ Do not allow bystanders, children or animals within 15 meters of the work area.

- ▶ Maintain a clearance of 15 meters from objects.
- ▶ Do not leave the mower unattended.
- ▶ Make sure that children cannot play with the mower.
- The mower is not waterproof. Working in the rain or a damp location may result in an electric shock. This can result in injuries to the user and may damage the mower.
 - ▶ Do not work in the rain or a damp location.



- ▶ Do not mow or mulch wet grass.
- Electrical components of the hedge trimmer can produce sparks. Sparks may cause a fire or an explosion in an easily combustible or explosive environment. This can result in serious or fatal injuries and damage to property.
 - ▶ Do not work in an easily combustible or explosive environment.

4.5.2 Battery

⚠ WARNING

- Bystanders, children and animals cannot recognize or assess the dangers of the battery. Innocent children, bystanders and animals may be seriously injured.
 - ▶ Keep children, bystanders and animals away from the work area.
 - ▶ Do not leave the battery unattended.
 - ▶ Make sure that children cannot play with the battery.
- The battery is not protected against all ambient conditions. If the battery is exposed to certain ambient conditions, it may catch fire or explode. This can result in serious injuries and damage to property.



- ▶ Protect battery from heat and fire.
- ▶ Do not throw the battery into a fire.



- ▶ Use and store the battery at temperatures between -10°C and +50°C.



- ▶ Protect the battery from rain and damp – do not immerse it in fluids.

- ▶ Keep battery away from metallic objects.
- ▶ Do not expose battery to high pressure.
- ▶ Do not expose battery to microwaves.
- ▶ Protect battery from chemicals and salts.

4.6 Safe Condition

4.6.1 Mower

The mower is in a safe condition if the following points are observed:

- Mower is not damaged.

- Mower is clean and dry.
- The controls function properly and have not been modified.
- If you want to mow and collect the grass cuttings in the grass box: The mulch plug and side chute must be removed and the grass box correctly fitted.
- If you want to mow and discharge the grass cuttings sideways: The grass box must be removed and the mulch plug and side chute correctly fitted.
- If you want to mulch: The side chute and grass box must be removed and the mulch plug correctly fitted.
- The blade is correctly installed.
- The deflector is correctly fitted.
- Only original STIHL accessories designed for this mower model are fitted.
- Accessories are properly mounted.



⚠ WARNING

- If components do not comply with safety requirements, they will no longer function properly and safety devices may be rendered inoperative. This can result in serious or fatal injuries.
 - ▶ Work only with an undamaged mower.
 - ▶ If the mower is dirty or wet: Clean the mower and allow it to dry.
 - ▶ Do not modify the mower.
 - ▶ If the controls do not function properly: Do not work with the mower.
 - ▶ If you want to mow and collect the grass cuttings in the grass box: Remove the mulch plug and side chute, and fit the grass box as described in this instruction manual.
 - ▶ If you want to mow and discharge the grass cuttings sideways: Remove the grass box and fit the mulch plug and side chute as described in this instruction manual.

- ▶ If you want to mulch: Remove the side chute and grass box, and fit the mulch plug as described in this instruction manual.
- ▶ Only fit original STIHL accessories designed for this mower model.
- ▶ Install the blade as described in the instruction manual.
- ▶ Mount accessories as described in this instruction manual or the instructions supplied with the accessory.
- ▶ Never insert objects in the mower's openings.
- ▶ Never bridge the contacts in the activation key socket with metallic objects (short circuit).
- ▶ If you have any queries: Contact your STIHL servicing dealer for assistance.

4.6.2 Blade

The blade is in a safe condition if the following points are observed:

- The blade and mounting hardware are undamaged.
- The blade is not warped.
- The blade is correctly installed.
- The blade is correctly sharpened
- The blade is free from burrs.
- The blade's minimum thickness and minimum width are within the specified limits,  22.2.
- The sharpening angle is correct,  22.2.

WARNING

- If they are in an unsafe condition, parts of the cutting blade may come off and be thrown at high speed. This can result in serious injuries.
 - ▶ Never work with a damaged blade or damaged mounting hardware.
 - ▶ Sharpen the blade properly.
 - ▶ If the minimum thickness and minimum width are outside the specified limits: Replace the blade.

- ▶ Have the blade balanced by a STIHL servicing dealer.
- ▶ If you have any queries: Contact your STIHL servicing dealer for assistance.

4.6.3 Battery

The battery is in a safe condition if the following points are observed:

- Battery is undamaged.
- Battery is clean and dry.
- Battery functions properly and has not been modified.

WARNING

- A battery that is not in a safe condition cannot operate safely. This can result in serious injuries.
 - ▶ Never work with a damaged battery.
 - ▶ Never attempt to charge a damaged or defective battery.
 - ▶ If the battery is dirty or wet: Clean the battery and allow it to dry.
 - ▶ Never attempt to modify the battery.
 - ▶ Never insert objects in the battery's openings.
 - ▶ Never bridge the battery's contacts with metallic objects (short circuit).
 - ▶ Do not open the battery.
- Fluid may escape from a damaged battery. The fluid can cause irritation if it contacts the skin or eyes.
 - ▶ Avoid contact with the fluid.
 - ▶ In case of contact with the skin: Wash affected areas with plenty of water and soap.
 - ▶ In case of contact with the eyes: Rinse eyes with plenty of water for at least 15 minutes and seek medical advice.

- A damaged or defective battery may smell unusual, emit smoke or burn. This can result in serious or fatal injuries and damage to property.
 - ▶ If the battery smells unusual or emits smoke: Do not use the battery and keep it away from combustible substances.
 - ▶ If the battery catches fire: Attempt to extinguish the battery with a fire extinguisher or water.

4.7 Operation

⚠ WARNING

- The user cannot concentrate on the work in certain situations. The user may stumble, fall and be seriously injured.
 - ▶ Work calmly and carefully.
 - ▶ If light and visibility are poor: Do not work with the mower.
 - ▶ Operate the mower alone.
 - ▶ Watch out for obstacles.
 - ▶ Stand on the ground while working and keep a good balance.
 - ▶ If you begin to feel tired: Take a break.
 - ▶ If it is necessary to mow on a slope: Mow across the slope.
 - ▶ Do not mow on steep slopes.
- The rotating cutting blade can cut the user. This can result in serious injuries.



- ▶ Do not touch the rotating cutting blade.
- ▶ If the blade is blocked by an object: Switch off the mower, remove the activation key and battery. Then remove the object causing the blockage.



- If you mow with the wheel drive switched off, there is a risk of it being accidentally switched on and causing the mower to move forwards unexpectedly. This can result in serious injuries and damage to property.
 - ▶ Operate the wheel drive switch lever only if you want to switch on the wheel drive.
- If the behavior of the mower changes during operation or feels unusual, it may no longer be in a safe condition. This can result in serious injuries and damage to property.
 - ▶ Stop work, remove the activation key and battery, and contact your STIHL servicing dealer for assistance.
- Vibrations may occur while using the mower.
 - ▶ Wear gloves.
 - ▶ Take regular breaks.
 - ▶ If signs of circulation problems occur: Seek medical advice.
- Note that the blade continues to rotate for a short period after you release the switch lever. This can result in serious injuries.
 - ▶ Wait until the blade comes to a complete stop.
- Sparks may occur if the rotating blade makes contact with a hard object. Sparks may cause a fire in an easily combustible location. This can result in serious or fatal injuries and damage to property.
 - ▶ Do not work in an easily combustible location.

⚠ DANGER

- Working near live electric cables can result in accidental contact with the cutting blade and damage the cables. This can result in serious or fatal injuries.
 - ▶ Do not work near live electric cables.
- Do not use the mower during a thunderstorm since there is a risk of being struck by lightning. This can result in serious or fatal injuries.
 - ▶ If a thunderstorm is approaching: Put off the work.

4.8 Transporting

4.8.1 Mower

⚠ WARNING

- The mower may turn over or shift during transport. This may result in personal injuries and damage to property.



- ▶ Pull out the activation key.



- ▶ Remove the battery.

- ▶ Secure the mower with lashing straps or a net to prevent it turning over and moving.
- If the activation key and battery are not removed and the wheel drive is switched off during transport, the wheel drive may be switched on unintentionally and cause the mower to move forwards. This can result in serious injuries and damage to property.



- ▶ Pull out the activation key.



- ▶ Remove the battery.

- The mower is heavy. Carrying the mower alone can result in injuries.
 - ▶ Carry the mower with an assistant.

4.8.2 Battery

⚠ WARNING

- The battery is not protected against all ambient conditions. The battery may be damaged if it is exposed to certain ambient conditions and damage to property may occur.
 - ▶ Never transport a damaged battery.
 - ▶ Store the battery in non-conductive packaging.
- The battery may turn over or shift during transport. This may result in personal injuries and damage to property.
 - ▶ Pack the battery in packaging in such a way that it cannot move.
 - ▶ Secure the packaging so that it cannot move.

4.9 Storing

4.9.1 Mower

⚠ WARNING

- Children are not aware of and cannot assess the dangers of the mower and can be seriously injured.



- ▶ Pull out the activation key.



- ▶ Remove the battery.

- ▶ Store the mower out of the reach of children.
- Dampness can corrode the electrical contacts on the mower and metal components. The mower may be damaged.



- ▶ Pull out the activation key.



- ▶ Remove the battery.

- ▶ Store the mower in a clean and dry condition.

- If the activation key and battery are not removed and the wheel drive is switched off during storage, the wheel drive may be switched on unintentionally and cause the mower to move forwards. This can result in serious injuries and damage to property.



- ▶ Pull out the activation key.



- ▶ Remove the battery.

4.9.2 Battery

⚠ WARNING

- Children are not aware of and cannot assess the dangers of the battery and can be seriously injured.
 - ▶ Store the battery out of the reach of children.
- The battery is not protected against all ambient conditions. The battery may be damaged if it is exposed to certain ambient conditions.
 - ▶ Store the battery in a clean and dry condition.
 - ▶ Store the battery in an enclosed location.
 - ▶ Store the battery separately from the mower and charger.
 - ▶ Store the battery in non-conductive packaging.
 - ▶ Store the battery at temperatures between -10°C and +50°C.

4.10 Cleaning, Maintenance and Repairs

⚠ WARNING

- The mower may start unintentionally if the activation key and battery are left in place during cleaning, maintenance or repair operations. This can result in serious injuries and damage to property.



- ▶ Pull out the activation key.



- ▶ Remove the battery.

- If the activation key and battery are not removed and the wheel drive is switched off during cleaning, maintenance or repair operations, the wheel drive may be switched on unintentionally and cause the mower to move forwards. This can result in serious injuries and damage to property.



- ▶ Pull out the activation key.



- ▶ Remove the battery.

- Aggressive cleaning agents, cleaning with a jet of water or pointed objects can damage the mower, cutting blade and battery. If the mower, cutting blade or battery are not










cleaned correctly, components may no longer function properly or safety devices may be rendered inoperative. This can result in serious injuries.












- ▶ Clean the mower, cutting blade and battery as described in this instruction manual.
- If the mower, cutting blade or battery are not serviced correctly, components may no longer function properly or safety devices may be rendered inoperative. This can result in serious or fatal injuries.
 - ▶ Do not attempt to service or repair the mower or battery.
 - ▶ If the mower or the battery require servicing or repairs: Contact your STIHL servicing dealer for assistance.
 - ▶ Maintain the blade as described in this instruction manual.
- The user can be cut by the sharp cutting edges while cleaning, maintaining or repairing the cutting blade. This can result in personal injury.
 - ▶ Wear work gloves made of durable material.

5 Preparing the Lawn Mower for Operation

5.1 Preparations

Perform the following steps before starting work:

- ▶ Make sure the following components are in a safe condition:
 - Mower,  4.6.1.
 - Blade,  4.6.2.
 - Battery,  4.6.3.
- ▶ Check the battery,  13.3.
- ▶ Fully charge the battery,  6.1.
- ▶ Clean the mower,  18.2.
- ▶ Check the blade,  13.2.
- ▶ Mount the handle,  7.1.
- ▶ Unfold and adjust the handle,  8.1.

- ▶ If you want to mow and collect the grass cuttings in the grass box:
 - ▶ Remove the chute,  7.3.2.
 - ▶ Remove the mulch plug,  7.3.2.
 - ▶ Fit the grass box,  7.2.1.
- ▶ If you want to mow and discharge the grass cuttings sideways:
 - ▶ Remove the mulch plug,  7.3.2.
 - ▶ Remove the grass box,  7.2.2.
 - ▶ Fit the side chute,  7.4.1.
- ▶ If you want to mulch:
 - ▶ Remove the chute,  7.4.2.
 - ▶ Remove the grass box,  7.2.2.
 - ▶ Fit the mulch plug,  7.3.1.
- ▶ Adjust cutting height,  14.2.
- ▶ Check the controls,  13.1.
 - ▶ If 3 LEDs flash red while you are checking the controls: Remove the activation key and battery, and contact your STIHL servicing dealer for assistance. There is a malfunction in the mower.
- ▶ If you cannot carry out these steps: Do not use your mower and contact your STIHL servicing dealer for assistance.

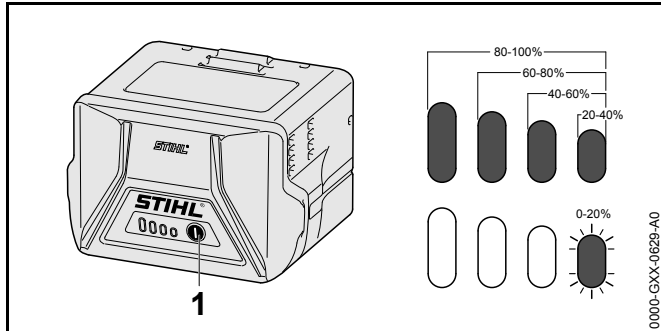
6 Charging the Battery, LEDs

6.1 Charging the Battery

The charging time depends on several factors, e.g. temperature of the battery or the ambient temperature. The actual charging time may differ from the specified charging time. For specified charging times see www.stihl.com/charging-times.

- ▶ Recharge the battery fully as described in the instruction manual for the STIHL AL 101, 300, 500 chargers.

6.2 State of Charge



- ▶ Press the button (1).
The LEDs (5) glow green for about 5 seconds and indicate the state of charge.
- ▶ If the LED on the right flashes green: Charge the battery.

6.3 LEDs on Battery

The LEDs can show the state of charge or malfunctions. The LEDs can glow or flash green or red.

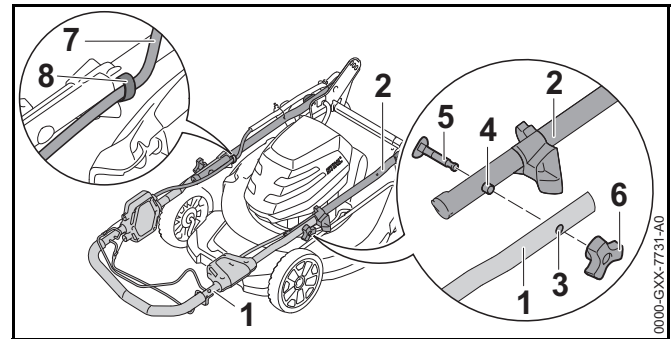
The state of charge is indicated when the LEDs glow or flash green.

- ▶ If the LEDs glow or flash red: Troubleshooting, 21.1.
There is a malfunction in the mower or battery.

7 Assembling the Lawn Mower

7.1 Mounting the Handle

- ▶ Switch off the mower, remove the activation key and battery.
- ▶ Place the mower on a flat surface.

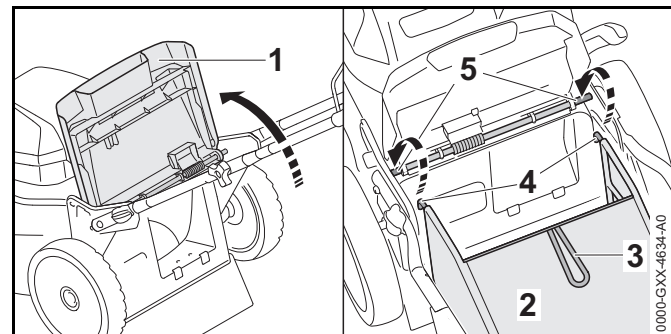


- ▶ Align upper handle (1) and lower handle (2) so that the pin (4) engages the hole (3) at both sides.
 - ▶ Insert screw (5) and line it up so that the screw head is flush with the lower handle (2) on both sides.
 - ▶ Fit the star knob nut (6).
 - ▶ Push the cable (7) into the retainer (8).
- The handle need not be removed again.

7.2 Fitting and Removing the Grass Box

7.2.1 Fitting the Grass Box

- ▶ Switch off the mower, remove the activation key and battery.
- ▶ Place the mower on a flat surface.
- ▶ If the side chute is still in place: Remove the chute.
- ▶ If the mulch plug is still in place: Remove the mulch plug.



- ▶ Open the discharge shield (1) and hold it in position.
- ▶ Hold grass box (2) by the handle (3) and engage the hooks (4) on the rod (5).
- ▶ Rest the discharge shield (1) on the grass box (2).

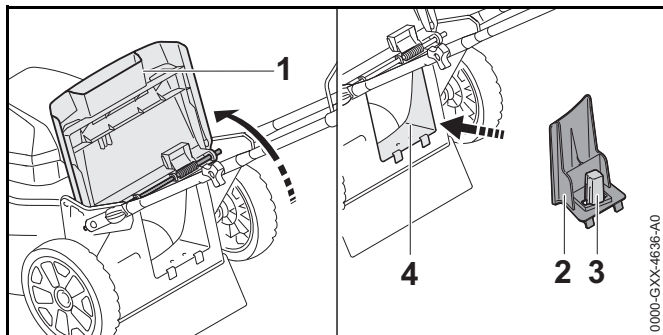
7.2.2 Removing the Grass Box

- ▶ Switch off the mower, remove the activation key and battery.
- ▶ Place the mower on a flat surface.
- ▶ Open the discharge shield and hold it in position.
- ▶ Hold grass box by the handle and lift it away.
- ▶ Close the discharge shield.

7.3 Fitting and Removing the Mulch Plug

7.3.1 Fitting the Mulch Plug

- ▶ Switch off the mower, remove the activation key and battery.
- ▶ Place the mower on a flat surface.



- ▶ Open the discharge shield (1) and hold it in position.
- ▶ Hold the mulch plug (2) by the grip (3) and fit it in the discharge duct (4).
- ▶ Close the discharge shield (1).

7.3.2 Removing the Mulch Plug

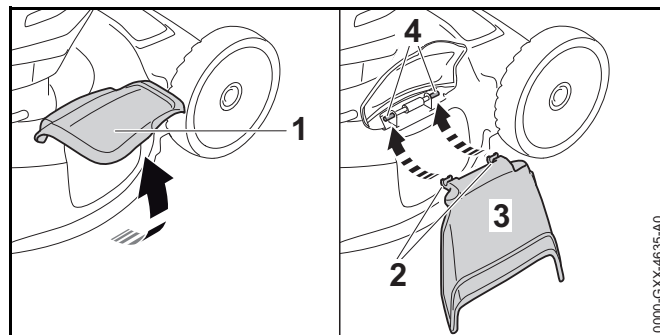
- ▶ Switch off the mower, remove the activation key and battery.

- ▶ Place the mower on a flat surface.
- ▶ Open the discharge shield and hold it in position.
- ▶ Remove the mulch plug.
- ▶ Close the discharge shield.

7.4 Fitting and Removing the Chute

7.4.1 Fitting the Chute

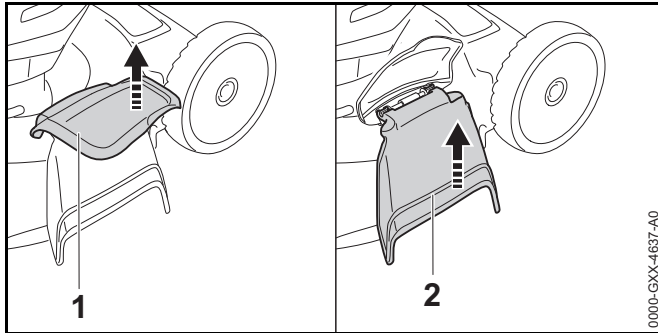
- ▶ Switch off the mower, remove the activation key and battery.
- ▶ Place the mower on a flat surface.



- ▶ Open the side discharge shield (1) and hold it in position.
- ▶ Engage hooks (2) on the shaft (4) from below.
- ▶ Rest the side discharge shield (1) on the chute (3).

7.4.2 Removing the Chute

- ▶ Switch off the mower, remove the activation key and battery.
- ▶ Place the mower on a flat surface.

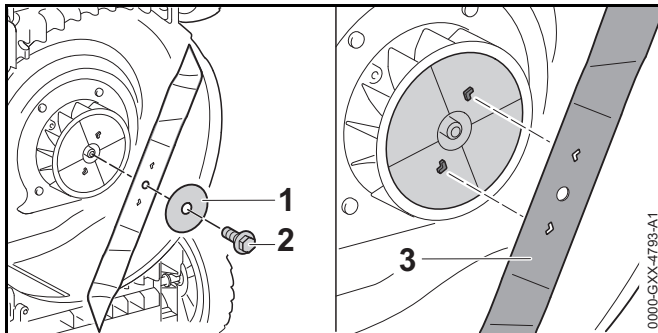


- ▶ Open the side discharge shield (1) and hold it in position.
- ▶ Swing the chute (2) upwards and lift it away.
- ▶ Close the side discharge shield (1).

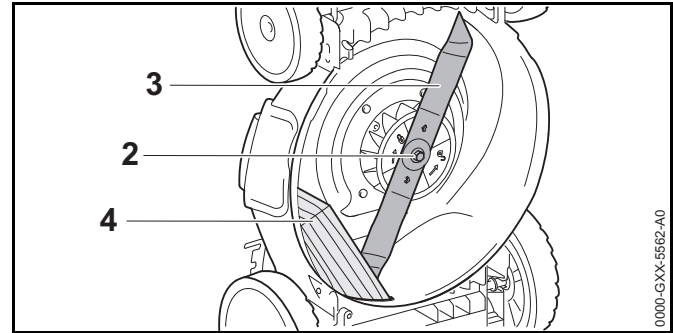
7.5 Fitting and Removing the Blade

7.5.1 Mounting the Blade

- ▶ Switch off the mower, remove the activation key and battery.
- ▶ Stand the mower on end.



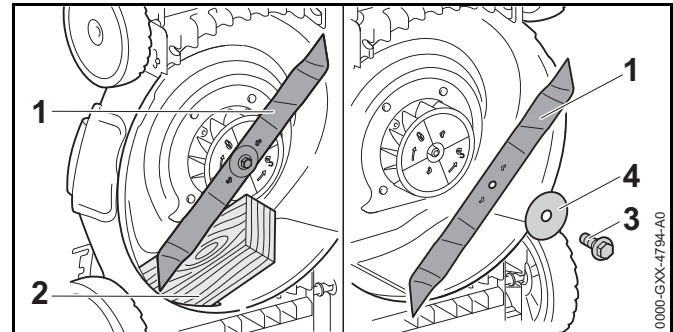
- ▶ Fit washer (1) on the screw (2).
- ▶ Coat screw (2) with Loctite 243 or Loctite 242.
- ▶ Fit the blade (3) so that the lugs on the mounting face (4) engage the recesses in the blade.



- ▶ Fit the screw (2) together with the washer (1).
- ▶ Use a piece of wood (4) to block the blade (3).
- ▶ Tighten down the screw (2) firmly.

7.5.2 Removing the Blade

- ▶ Switch off the mower, remove the activation key and battery.
- ▶ Stand the mower on end.

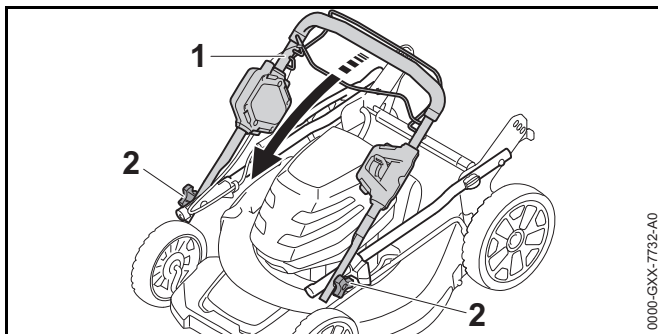


- ▶ Use a piece of wood (2) to block the blade (1).
- ▶ Take out the screw (3).
- ▶ Remove the washer (4).
- ▶ Remove the blade (1).

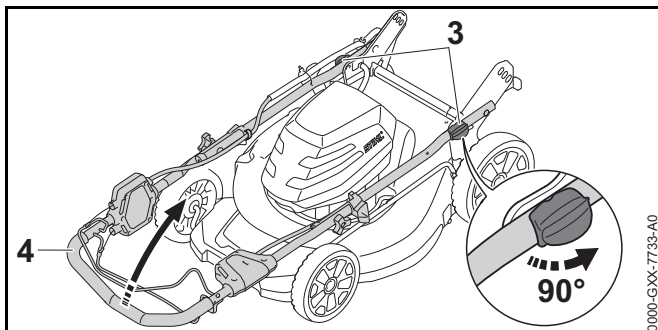
8 Adjusting Lawn Mower for the User

8.1 Unfolding and Adjusting the Handle

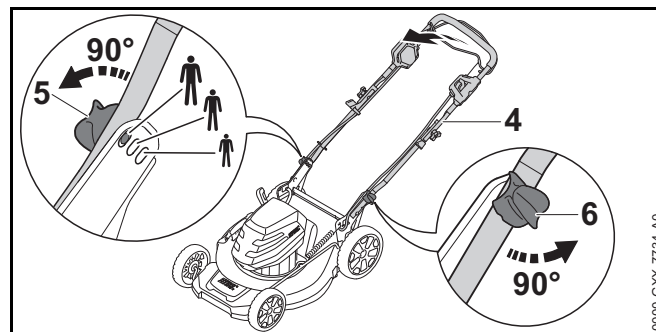
- ▶ Switch off the mower, remove the activation key and battery.
- ▶ Place the mower on a flat surface.



- ▶ Unfold the upper handle (1).
- ▶ Tighten down the star knob nuts (2).



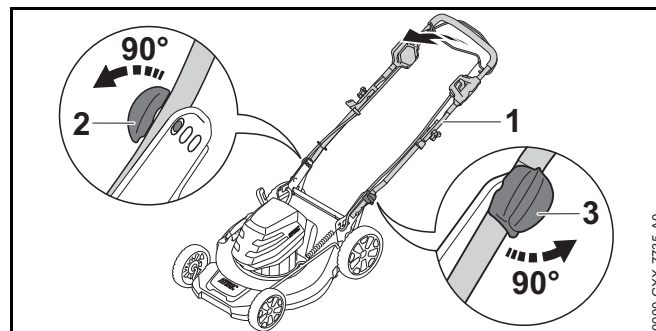
- ▶ Rotate the lever (3) 90°.
- ▶ Swing the handle (4) to upright position.



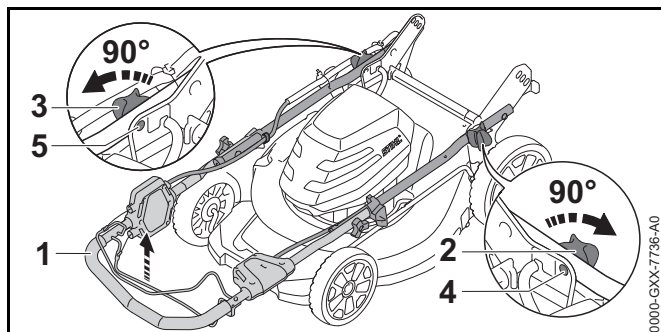
- ▶ Line up the handle (4) so that the pins of levers (5 and 6) are both in the required position.
- ▶ Rotate both levers (5 and 6) 90°. Pins of levers (5 and 6) engage the holes in the same position.

8.2 Folding the Handle

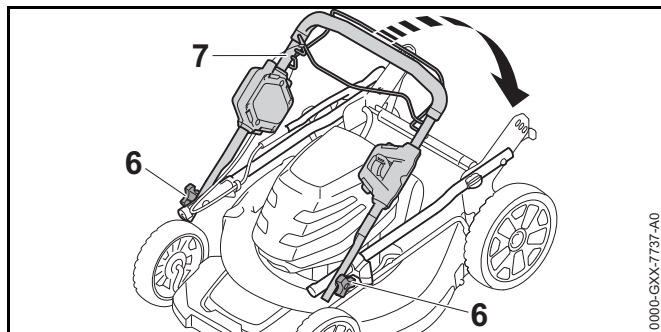
- ▶ Switch off the mower, remove the activation key and battery.
- ▶ Place the mower on a flat surface.



- ▶ Hold the handle (1) firmly and rotate the lever (2) 90°.
- ▶ Rotate the lever (3) 90°.
- ▶ Fold the handle (1) flat.



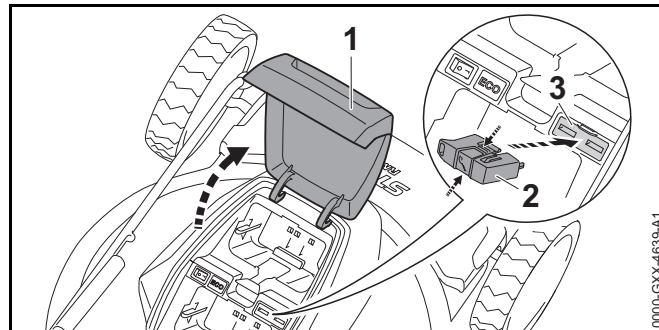
- ▶ Rotate both levers (2 and 3) 90°.
- ▶ Push the handle (1) upwards until the pins (4 and 5) of levers (2 and 3) engage. The handle (1) is fixed in position.



- ▶ Loosen the star knob nuts (6).
- ▶ Fold the upper handle (7) over.

9 Inserting and Removing Activation Key

9.1 Inserting the Activation Key



- ▶ Open the lid (1) as far as stop and hold it there.
- ▶ Squeeze the activation key (2) and hold it in that position.
- ▶ Insert the activation key (2) in the socket (3). The activation key (2) engages in position with a click.
- ▶ Close the lid (1).

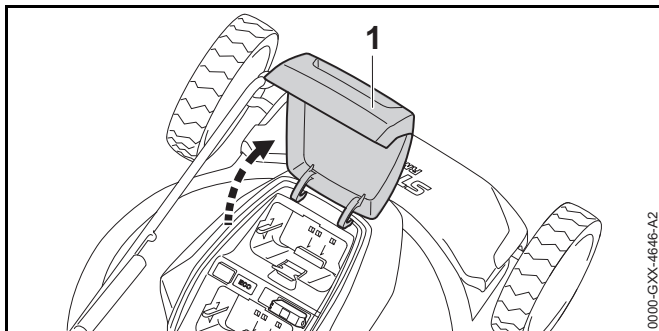
9.2 Removing the Activation Key

- ▶ Open the lid as far as stop and hold it there.
- ▶ Squeeze the activation key and hold it in that position.
- ▶ Pull out the activation key.
- ▶ Close the lid.
- ▶ Keep the activation key out of the reach of children.

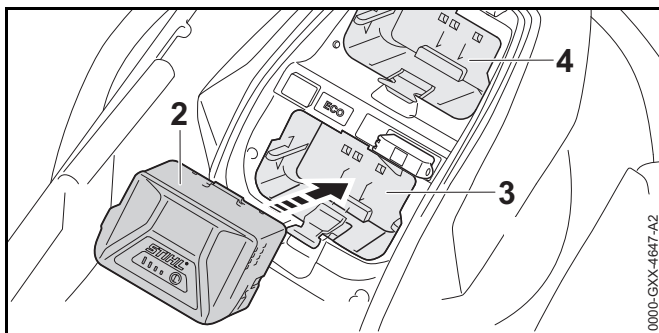
10 Removing and Fitting the Battery

10.1 Fitting the Battery

The mower has two battery compartments. A replacement battery can be kept on-board.



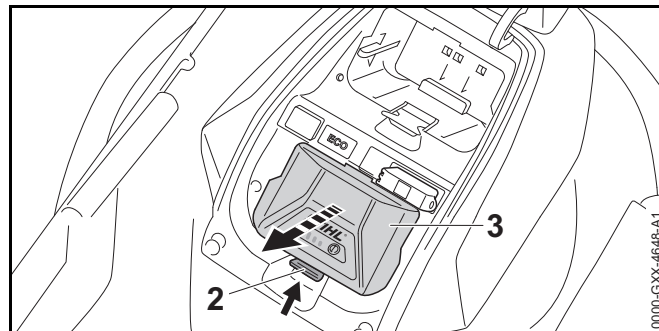
- ▶ Open the lid (1) as far as stop and hold it there.



- ▶ Push the battery (2) into the battery compartment (3) as far as stop.
The battery (2) engages with a click.
- ▶ If a replacement battery is to be kept on-board: Insert the replacement battery in the battery compartment (4).
The battery engages with a click.
- ▶ Close the lid (1).

10.2 Removing the Battery

- ▶ Place the mower on a flat surface.
- ▶ Open the lid (1) as far as stop and hold it there.

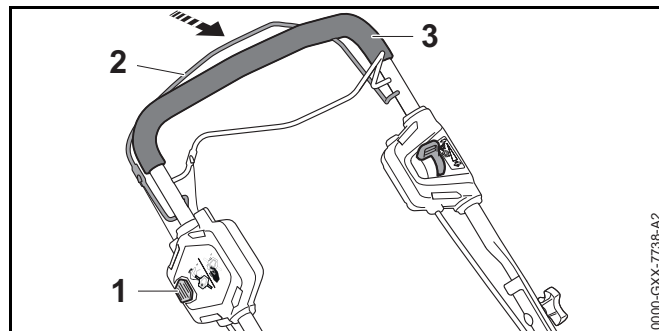


- ▶ Depress the locking lever (2).
The battery (3) is unlocked and can be removed.
- ▶ Close the lid (1).

11 Switching the Lawn Mower On and Off

11.1 Switching On the Mower

- ▶ Place the mower on a flat surface.



- ▶ Depress the lockout button (1) with your right hand and hold it depressed.
- ▶ Pull the switch lever (2) for blade drive fully in direction of the handle with your left hand and hold it so that your thumb is wrapped around the handle (3).
The blade rotates.
- ▶ Release the lockout button (1).



- ▶ Hold the handle (3) and switch lever (2) for blade drive firmly with your right hand so that your thumb is wrapped around the handle (3).

11.2 Switching Off the Mower

- ▶ Release the switch lever for wheel drive.
- ▶ Wait for the blade to come to a standstill.
- ▶ If the blade continues to rotate: Remove the activation key and battery, and contact your STIHL servicing dealer for assistance.
There is a malfunction in the mower.

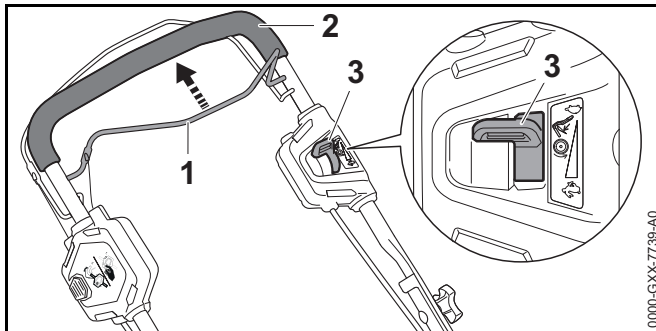
12 Switching the Drive On and Off

12.1 Switching On Drive

The mower's speed is infinitely variable between 1 km/h and 4.5 km/h. The mower travels at top speed in position . The mower travels at the lowest speed in position .

The selected speed affects the battery's runtime. The lower the speed, the longer the battery's runtime.

- ▶ Place the mower on a flat surface.



- ▶ Pull the drive's switch lever (1) up to the handle (2) and hold it so that your thumb is wrapped around the handle (2).
The mower begins to move forwards.
- ▶ Set the lever (3) to the required position.

12.2 Switching Off Drive

- ▶ Release the drive's switch lever.
- ▶ Wait until the mower comes to a standstill.
- ▶ If the mower does not stop: Remove the activation key and battery, and contact your STIHL servicing dealer for assistance.
There is a malfunction in the mower.

13 Checking the Lawn Mower and Battery

13.1 Checking the Controls

Lockout button and switch lever for blade drive



- ▶ Pull out the activation key.
- ▶ Remove the battery.
- ▶ Depress the lockout button and release it again.
- ▶ Pull the switch lever for blade drive fully in direction of handle and release it again.
- ▶ If the lockout button or switch lever for blade drive is stiff or does not spring back to the idle position: Do not use your mower and contact your STIHL servicing dealer for assistance.
There is a malfunction in the lockout button or switch lever.

Switch lever for wheel drive

- ▶ Pull out the activation key.
- ▶ Remove the battery.
- ▶ Pull the switch lever for wheel drive fully in direction of handle and release it again.
- ▶ If the switch lever for wheel drive is stiff or does not spring back to its idle position: Do not use your mower and contact your STIHL servicing dealer for assistance.
There is a malfunction in the switch lever for wheel drive.

Lever

- ▶ Pull out the activation key.
- ▶ Remove the battery.

- ▶ Move lever to , and then to .
- ▶ If the lever moves too freely: Do not use your mower and contact your STIHL servicing dealer for assistance. The lever is defective.

Switching on the mower

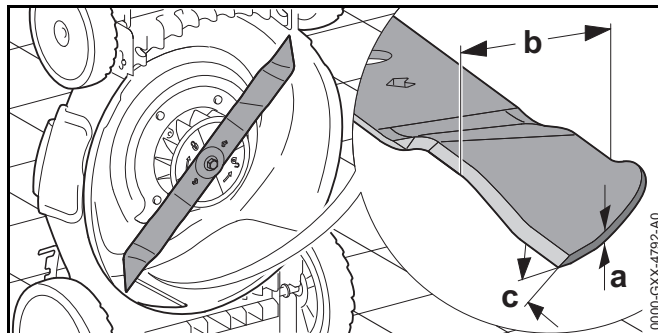
- ▶ Insert the activation key.
- ▶ Fit the battery.
- ▶ Depress the lockout button with your right hand and hold it there.
- ▶ Pull the switch lever for blade drive fully in direction of the handle with your left hand and hold it so that your thumb is wrapped around the handle. The blade rotates.
- ▶ If 3 LEDs flash red: Remove the activation key and battery, and contact your STIHL servicing dealer for assistance. There is a malfunction in the mower.
- ▶ Release lockout button and switch lever for blade drive. The blade stops rotating after a brief delay.
- ▶ If the blade continues to rotate: Remove the activation key and battery, and contact your STIHL servicing dealer for assistance. There is a malfunction in the mower.



Switching on wheel drive

- ▶ Insert the activation key.
- ▶ Fit the battery.
- ▶ Pull the switch lever for wheel drive fully in direction of the handle and hold it so that your thumb is wrapped around the handle. The mower begins to move forwards.
- ▶ Release the switch lever for wheel drive. The mower comes to a standstill.
- ▶ If the mower does not stop: Remove the battery and contact your STIHL dealer for assistance. There is a malfunction in the mower.

13.2 Checking the Blade

- ▶ Switch off the mower, remove the activation key and battery.
- ▶ Stand the mower on end.



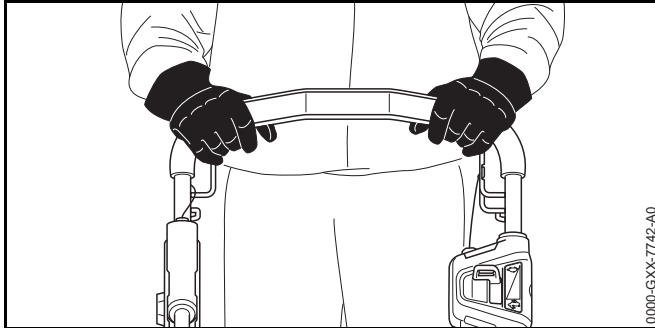
- ▶ Measure the following:
 - Thickness 'a'
 - Width 'b'
 - Sharpening angle 'c'
- ▶ If the minimum thickness and minimum width are outside the specified limits: Replace the blade,  22.2.
- ▶ If the filing angle is not correct: Sharpen the blade,  22.2.
- ▶ If you have any queries: Contact a STIHL servicing dealer for assistance.

13.3 Testing the Battery

- ▶ Press button on battery. The LEDs glow or flash.
- ▶ If the LEDs do not glow or flash: Do not use the battery and contact your STIHL servicing dealer. There is a malfunction in the battery.

14 Operating the Lawn Mower

14.1 Holding and Controlling the Mower

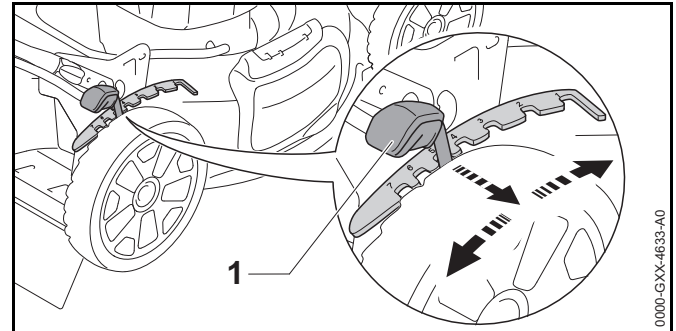


- ▶ Hold the handle firmly with both hands and wrap your thumbs around the handle.

14.2 Adjusting Cutting Height

Eight cutting heights can be selected to suit the application:

- 25 mm = Position 1
- 34 mm = Position 2
- 44 mm = Position 3
- 54 mm = Position 4
- 64 mm = Position 5
- 76 mm = Position 6
- 88 mm = Position 7
- 100 mm = Position 8



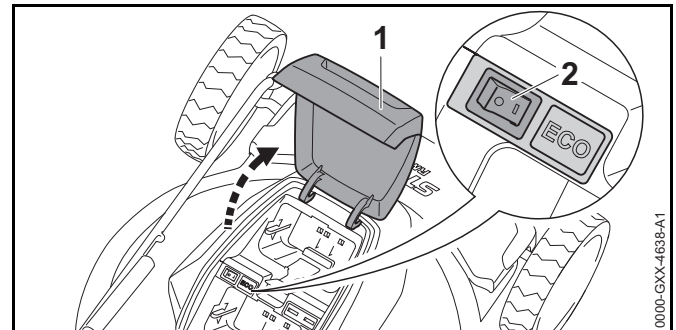
The positions are marked on the mower.

- ▶ Pull the lever (1) out of the notch and move it to the required position.

14.3 Switching on ECO Mode

When the ECO mode is switched on, the mower detects the current operating conditions and automatically selects the most suitable cutting blade speed.

This helps extend the battery runtime.



- ▶ Open the lid (1) as far as stop and hold it there.
- ▶ Set the ECO switch (2) to I.
- ▶ Close the lid (1).

14.4 Mowing and Mulching



- ▶ If you work with the wheel drive switched on: Drive the mower forwards so that you have it well under control.
- ▶ If you work with the wheel drive switched off: Push the mower slowly and steadily forwards.

15 After Finishing Work

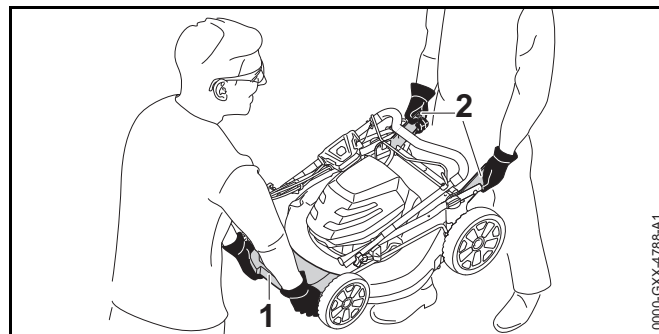
15.1 After Finishing Work

- ▶ Switch off the mower, remove the activation key and battery.
- ▶ If the mower is wet: Allow the mower to dry.
- ▶ If the battery is wet: Allow the battery to dry.
- ▶ Clean the mower.
- ▶ Clean the battery.

16 Transporting

16.1 Transporting the Mower

- ▶ Switch off the mower.
The blade must not rotate.
- ▶ If you want to transport the mower with the wheel drive switched on:
 - ▶ Switch on the wheel drive.
 - ▶ Drive the mower forwards so that you have it well under control.
- ▶ If you want to transport the mower with the wheel drive switched off: Push the mower slowly and steadily forwards.



- ▶ If the mower has to be carried:
 - ▶ Remove the activation key and battery.
 - ▶ Fold down the handle.
 - ▶ Carry the mower with an assistant - hold it firmly with both hands on the front cover (1) and both hands on the brackets (2).
- ▶ If the mower is transported in a vehicle:
 - ▶ Remove the activation key and battery.
 - ▶ Secure the mower so that it cannot turn over or move.

16.2 Transporting the Battery

- ▶ Switch off the mower and remove the battery.
- ▶ Make sure the battery is in a safe condition.

- ▶ Observe the following points when packing the battery:
 - The packaging must be non-conductive.
 - Make sure the battery cannot shift inside the packaging.
- ▶ Secure the packaging so that it cannot move.

The battery is subject to the requirements for the transport of dangerous goods. The battery is classified as UN 3480 (lithium-ion batteries) and has been tested in accordance with UN Manual of Tests and Criteria, Part III, sub-section 38.3.

For transport regulations see www.stihl.com/safety-data-sheets

17 Storing

17.1 Storing the Mower

- ▶ Switch off the mower, remove the activation key and battery.
- ▶ Check the following points when storing the mower:
 - Mower is out of the reach of children.
 - Mower is clean and dry.

17.2 Storing the Battery

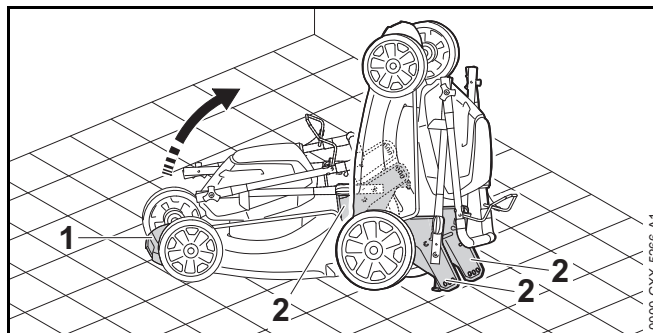
STIHL recommends that you store the battery with a charge between 40% and 60% (2 LEDs glow green).

- ▶ Check the following points when storing the battery:
 - Battery is out of the reach of children.
 - Battery is clean and dry.
 - Battery is in an enclosed location.
 - Battery is stored separately from the mower and charger.
 - Battery is in non-conductive packaging.
 - Battery is in a temperature range between -10°C and $+50^{\circ}\text{C}$.

18 Cleaning

18.1 Standing the Mower on End

- ▶ Switch off the mower, remove the activation key and battery.
- ▶ Place the mower on a flat surface.
- ▶ Set the cutting height to position 4.
- ▶ Fold down the handle.



- ▶ Grip front cover (1) with one hand and the bracket (2) with the other hand.
- ▶ Stand the mower on end with the brackets (2) resting on the floor.

18.2 Cleaning the Mower

- ▶ Switch off the mower, remove the activation key and battery.
- ▶ Clean the mower with a damp cloth.
- ▶ Clean rear and side discharge ducts with a soft brush or a damp cloth.
- ▶ Remove foreign matter from the battery compartment and clean the battery compartment with a damp cloth.
- ▶ Clean electrical contacts in the battery compartment with a soft brush.
- ▶ Clean cooling air slots with a soft brush.
- ▶ Stand the mower on end.

- ▶ Clean area around the blade and the blade itself with a soft brush or a damp cloth.

18.3 Cleaning the Battery

- ▶ Clean the battery with a damp cloth.

19 Maintenance

19.1 Sharpening and Balancing the Blade

Correctly sharpening and balancing the blade requires a lot of practice.

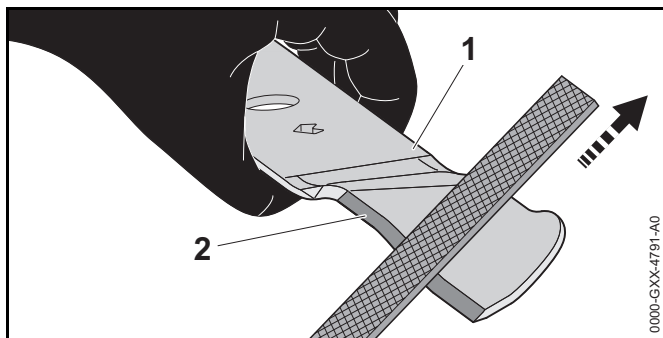
STIHL files, filing aids and sharpeners help you sharpen the blade correctly.


STIHL recommends you have the blade resharpened and balanced by a STIHL servicing dealer.

WARNING

The blade's cutting edges are sharp. There is a risk of cut injuries.

- ▶ Wear work gloves made of durable material.
-
- ▶ Switch off the mower, remove the activation key and battery.
 - ▶ Stand the mower on end.
 - ▶ Remove the blade.



- ▶ Use a STIHL flat crosscut file to sharpen the cutting edge (2). The file only sharpens on the forward stroke. Maintain the specified sharpening angle,  22.2.
- ▶ Turn the blade (1) over.
- ▶ Sharpen the other cutting edge (2).
- ▶ Mount the blade.
- ▶ If you have any queries: Contact your STIHL servicing dealer for assistance.

20 Repairing

20.1 Repairing the Mower and Battery

The mower, blade and battery cannot be repaired by the user.

- ▶ If the mower or the blade is damaged: Do not use your mower and contact your STIHL servicing dealer for assistance.
- ▶ If the battery has a malfunction or is damaged: Replace the battery.
- ▶ If safety labels are illegible or damaged: Have the labels replaced by a STIHL servicing dealer.

21 Troubleshooting

21.1 Troubleshooting Mower and Battery

Condition	LEDs on Battery	Cause	Remedy
Mower does not run when switched on.	1 LED flashes green.	Battery has low charge.	▶ Charge the battery.
	1 LED glows red.	Battery too hot or too cold.	▶ Pull out the activation key. ▶ Remove the battery. ▶ Allow battery to cool down / warm up.
	3 LEDs flash red.	There is a malfunction in the mower.	▶ Pull out the activation key. ▶ Remove the battery. ▶ Clean contacts in battery compartment. ▶ Fit the battery. ▶ Switch on the mower. ▶ If 3 LEDs continue to flash red: Do not use your mower and contact your STIHL servicing dealer for assistance.
	3 LEDs glow red.	Mower is too hot.	▶ Pull out the activation key. ▶ Remove the battery. ▶ Allow mower to cool down
	4 LEDs flash red.	There is a malfunction in the battery.	▶ Remove battery and insert it again. ▶ Switch on the mower. ▶ If 4 LEDs continue to flash red: Do not use the battery and contact your STIHL dealer for assistance.
		No electrical contact between mower and battery.	▶ Pull out the activation key. ▶ Remove the battery. ▶ Clean contacts in battery compartment. ▶ Insert the activation key. ▶ Fit the battery.
		Mower or battery damp.	▶ Pull out the activation key. ▶ Remove the battery. ▶ Clean the mower. ▶ Allow mower or battery to dry.

Condition	LEDs on Battery	Cause	Remedy
		Mower blade resistance is too high.	<ul style="list-style-type: none"> ▶ Increase cutting height. ▶ Switch on mower in low grass.
Wheel drive does not work.		Malfunction in wheel drive.	<ul style="list-style-type: none"> ▶ Remove battery and insert it again. ▶ Switch on the wheel drive. ▶ If wheel drive still does not work: Contact a STIHL servicing dealer for assistance.
Mower cuts out during operation.	3 LEDs glow red.	Mower is too hot.	<ul style="list-style-type: none"> ▶ Pull out the activation key. ▶ Remove the battery. ▶ Allow mower to cool down ▶ Clean the mower. ▶ Do not switch the mower on and off too often in quick succession. ▶ If you work with the wheel drive switched on: Select a lower speed. ▶ If you work with the wheel drive switched off: Walk forwards at a slower rate. ▶ Increase cutting height. ▶ Mow lower grass.
		The blade is blocked.	<ul style="list-style-type: none"> ▶ Pull out the activation key. ▶ Remove the battery. ▶ Clean the mower.
		There is a electrical malfunction.	<ul style="list-style-type: none"> ▶ Remove battery and insert it again. ▶ Switch on the mower.
Mower runtime is too short		Battery not fully charged.	<ul style="list-style-type: none"> ▶ Fully charge the battery.
		Normal battery life has been exceeded.	<ul style="list-style-type: none"> ▶ Replace the battery.
Charge process does not start when battery is inserted in the charger.	1 LED glows red.	Battery too hot or too cold.	<ul style="list-style-type: none"> ▶ Leave battery in the charger. Charge process starts automatically as soon as permissible temperature range is reached.

22 Specifications

22.1 STIHL RMA 460.0 V Mower

- Approved battery: STIHL AK
- Weight without battery: 28 kg
- Max. grass box capacity: 60 l
- Cutting width: 46 cm
- Speed: 3,200 rpm
- Speed in ECO mode: 2,800 rpm

For battery life see www.stihl.com/battery-life.

22.2 Blade

- Thickness: 2.5 mm
- Minimum thickness: 2.0 mm
- Width: 50 mm
- Minimum width: 45 mm
- Sharpening angle: 30°

22.3 STIHL AK Battery

- Battery technology: Lithium-ion
- Voltage: 36 V
- Capacity in Ah: see rating label
- Energy content in Wh: see rating label
- Weight in kg: see rating label
- Permissible temperature range for operation and storage:
-10°C to +50°C

22.4 REACH

REACH is an EC regulation and stands for the Registration, Evaluation, Authorisation and Restriction of Chemical substances.

For information on compliance with the REACH regulation see www.stihl.com/reach.

23 Spare Parts and Accessories

23.1 Spare Parts and Accessories

STIHL® These symbols identify original STIHL replacement parts and original STIHL accessories.

STIHL recommends the use of original STIHL replacement parts and accessories.

Original STIHL replacement parts and original STIHL accessories are available from STIHL servicing dealers.

24 Disposal

24.1 Disposing of Mower and Battery

Information on disposal is available from STIHL servicing dealers.

- ▶ Dispose of the mower, blade, battery, accessories and packaging in accordance with local regulations and environmental requirements.

Índice

1	Prólogo	30
2	Informaciones relativas a estas instrucciones para la reparación	30
2.1	Documentación aplicable	30
2.2	Marca de las indicaciones de advertencia en el texto	31
2.3	Símbolos en el texto	31
3	Sinopsis	31
3.1	Cortacésped y acumulador	31
3.2	Símbolos	32
4	Indicaciones relativas a la seguridad	33
4.1	Símbolos de advertencia	33
4.2	Aplicación para trabajos apropiados	34
4.3	Requerimientos al usuario	34
4.4	Ropa y equipo	35
4.5	Sector de trabajo y entorno	35
4.6	Estado seguro	36
4.7	Trabajar	38
4.8	Transporte	39
4.9	Almacenamiento	40
4.10	Limpieza, mantenimiento y reparación	41
5	Preparar el cortacésped para el trabajo	42
5.1	Preparar el cortacésped para el trabajo	42
6	Cargar el acumulador y LEDs	42
6.1	Cargar el acumulador	42
6.2	Indicar el estado de carga	42
6.3	LEDs en el acumulador	43
7	Ensamblar el cortacésped	43
7.1	Montar el manillar	43
7.2	Enganchar y desenganchar el colector de hierba	43
7.3	Colocar y sacar el dispositivo de mulching	44
7.4	Enganchar y desenganchar la guía	44
7.5	Montar y desmontar la cuchilla	45
8	Ajustar el cortacésped para el usuario	45
8.1	Desplegar el manillar y ajustarlo	45
8.2	Plegar el manillar	46
9	Insertar la llave de seguridad y retirarla	47
9.1	Insertar la llave de seguridad	47
9.2	Retirar la llave de seguridad	47
10	Colocar y sacar el acumulador	47
10.1	Colocar el acumulador	47
10.2	Sacar el acumulador	48
11	Conectar y desconectar el cortacésped	48
11.1	Conectar el cortacésped	48
11.2	Desconectar el cortacésped	48
12	Conectar y desconectar el accionamiento	48
12.1	Conectar el accionamiento	48
12.2	Desconectar el accionamiento	49
13	Comprobar el cortacésped y el acumulador	49
13.1	Comprobar los elementos de mando	49
13.2	Comprobar la cuchilla	50
13.3	Comprobar el acumulador	50
14	Trabajar con el cortacésped	50
14.1	Sujeción y manejo de la máquina	50
14.2	Ajustar la altura de corte	51
14.3	Conectar el modo ECO	51
14.4	Siega y mulching	51
15	Después del trabajo	52
15.1	Después del trabajo	52
16	Transporte	52
16.1	Transportar el cortacésped	52
16.2	Transportar el acumulador	52
17	Almacenamiento	53
17.1	Almacenamiento del cortacésped	53
17.2	Guardar el acumulador	53

STIHL

Este manual de instrucciones está protegido por derechos de autor. Nos reservamos todos los derechos, especialmente el derecho a la reproducción, traducción y elaboración con sistemas electrónicos.

18 Limpiar	53
18.1 Poner el cortacésped en posición vertical	53
18.2 Limpiar el cortacésped	53
18.3 Limpiar el acumulador	53
19 Mantenimiento	54
19.1 Afilar y equilibrar la cuchilla	54
20 Reparación	54
20.1 Reparar el cortacésped y el acumulador	54
21 Subsanan las perturbaciones	55
21.1 Subsanan las perturbaciones del cortacésped o el acumulador	55
22 Datos técnicos	58
22.1 Cortacésped STIHL RMA 460.0 V	58
22.2 Cuchillas	58
22.3 Acumulador STIHL AK	58
22.4 REACH	58
23 Piezas de repuesto y accesorios	58
23.1 Piezas de repuesto y accesorios	58
24 Gestión de residuos	58
24.1 Gestionar como residuo el cortacésped y el acumulador	58

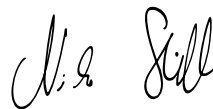
1 Prólogo

Distinguido cliente:

Nos alegramos de que se hayan decidido por STIHL. Desarrollamos y confeccionamos nuestros productos en primera calidad y con arreglo a las necesidades de nuestros clientes. De esta manera conseguimos elaborar productos altamente fiables incluso en condiciones de esfuerzo extremas.

STIHL también presta un Servicio Postventa de primera calidad. Nuestros comercios especializados garantizan un asesoramiento e instrucciones competentes así como un amplio asesoramiento técnico.

Le agradecemos su confianza y le deseamos que disfrute de su producto STIHL.



Dr. Nikolas Stihl

IMPORTANTE: LEER ANTES DE USAR Y GUARDAR.

2 Informaciones relativas a estas instrucciones para la reparación

2.1 Documentación aplicable

Se aplican las normas de seguridad locales.

- ▶ Adicionalmente a este manual de instrucciones, leer los siguientes documentos, entenderlos, y guardarlos:
 - Indicaciones de seguridad acumulador STIHL AK
 - Manual de instrucciones de los cargadores STIHL AL 101, 300, 500
 - Información de seguridad para acumuladores STIHL y productos con acumulador montado:
www.stihl.com/safety-data-sheets

2.2 Marca de las indicaciones de advertencia en el texto



PELIGRO

La indicación hace referencia a peligros que pueden provocar lesiones graves o la muerte.

- ▶ Con las medidas mencionadas se pueden evitar lesiones graves o mortales.



ADVERTENCIA

La indicación hace referencia a peligros que **pueden** provocar lesiones graves o la muerte.

- ▶ Con las medidas mencionadas se pueden evitar lesiones graves o mortales.

INDICACIÓN

La indicación hace referencia a peligros que pueden provocar daños materiales.

- ▶ Con las medidas mencionadas se pueden evitar daños materiales.

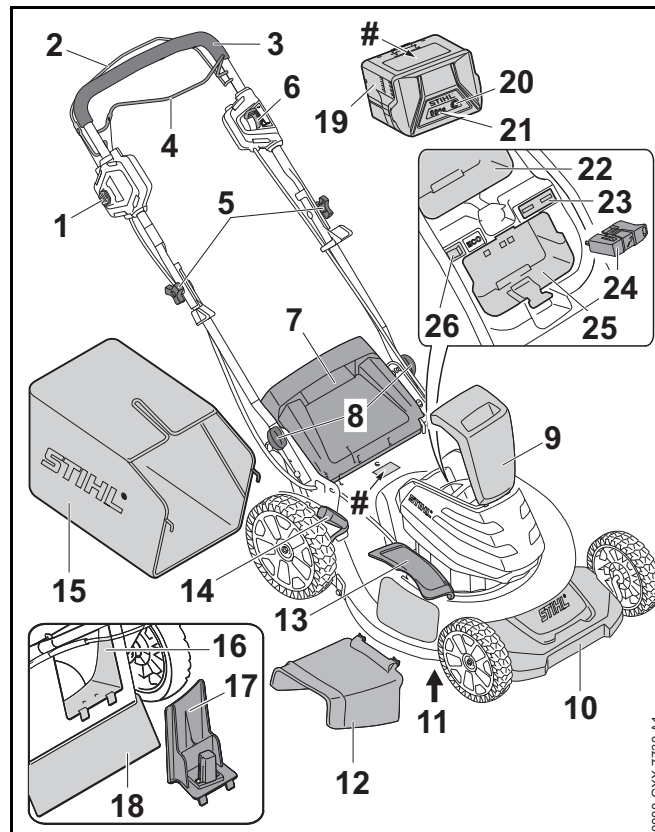
2.3 Símbolos en el texto



Este símbolo remite a un capítulo de este manual de instrucciones.

3 Sinopsis

3.1 Cortacésped y acumulador



1 Botón de bloqueo

El botón de bloqueo conecta y desconecta el cortacésped junto con el estribo de mando para la siega.

2 Estribo de mando para la siega

El estribo de mando para la siega conecta y desconecta el cortacésped junto con el botón de bloqueo.

3 Manillar

El manillar sirve para sujetar, guiar y transportar el cortacésped.

4 Estribo de mando para el accionamiento

El estribo de mando para el accionamiento conecta y desconecta el accionamiento.

5 Tuerca de asidero de estrella

La tuerca de asidero de estrella inmoviliza la parte superior del manillar en la parte inferior del mismo.

6 Palanca

La palanca sirve para ajustar la velocidad del accionamiento.

7 Compuerta de expulsión

La compuerta de expulsión cierra el canal de expulsión.

8 Palanca

La palanca bloquea el ajuste del manillar.

9 Tapa

La tapa cubre el acumulador, el interruptor ECO y la llave de seguridad y protege contra la suciedad.

10 Cubierta

La cubierta sirve para cubrir y transportar el cortacésped.

11 Cuchillas

La cuchilla siega y realiza el mulching.

12 Guía

La guía dirige al suelo el césped cortado.

13 Compuerta lateral de expulsión

La compuerta lateral de expulsión cierra el canal lateral de expulsión.

14 Palanca

La palanca sirve para ajustar la altura de corte.

15 Colector de hierba

El colector de hierba recoge la hierba cortada.

16 Canal de expulsión

El canal de expulsión dirige la hierba cortada al colector de hierba.

17 Dispositivo de mulching

El dispositivo de mulching cierra el canal de expulsión.

18 Protector

El protector protege al usuario contra objetos lanzados hacia arriba y contra el contacto con la cuchilla.

19 Acumulador

El acumulador alimenta el cortacésped con energía.

20 Tecla de presión

La tecla de presión activa los LEDs en el acumulador.

21 LEDs

Los LEDs indican el estado de carga del acumulador y las perturbaciones.

22 Cavidad para el acumulador

La cavidad para el acumulador aloja un acumulador de repuesto.

23 Alojamiento de la llave

El alojamiento de la llave aloja la llave de seguridad.

24 Llave de seguridad

La llave de seguridad activa el cortacésped.

25 Cavidad para el acumulador

La cavidad para el acumulador aloja el acumulador.

26 Interruptor ECO

El interruptor ECO conecta y desconecta el modo ECO.

Rótulo de potencia con número de máquina**3.2 Símbolos**

Los símbolos pueden estar en el cortacésped y el acumulador y significan lo siguiente:



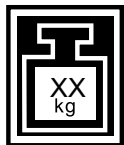
Este símbolo es el distintivo de la llave de seguridad.



Este símbolo es el distintivo del alojamiento de la llave.



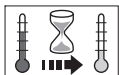
Este símbolo es el distintivo del interruptor ECO.



Este símbolo indica el peso del cortacésped.



1 LED luce en rojo. El acumulador está demasiado caliente o demasiado frío.



4 LEDs parpadean en rojo. Hay una perturbación en el acumulador.



El LED luce en verde y los LEDs en el acumulador lucen o parpadean en verde. Se está cargando el acumulador.



El LED parpadea en rojo. No hay contacto eléctrico entre el acumulador y el cargador o hay una perturbación en el acumulador o en el cargador.



Nivel de potencia sonora garantizado según la directriz 2000/14/CE en dB(A) para hacer equiparables las emisiones sonoras de productos.



Los datos cerca del símbolo indican el contenido energético del acumulador según la especificación del fabricante de las células. El contenido de energía que hay a disposición en la aplicación es más bajo.



No desprenderse del producto mediante la basura doméstica.



En esta posición, el cortacésped se mueve a la máxima velocidad.



En esta posición, el cortacésped se mueve a la velocidad más baja.

4 Indicaciones relativas a la seguridad

4.1 Símbolos de advertencia

Los símbolos de advertencia en el cortacésped y el acumulador significan lo siguiente:



Tener en cuenta las indicaciones de seguridad y sus medidas.



Leer este manual de instrucciones, entenderlo y guardarlo.



Ponerse gafas protectoras.



Tener en cuenta las indicaciones de seguridad relativas a los objetos lanzados hacia arriba y sus medidas.



No tocar la cuchilla en rotación.



Sacar el acumulador durante las interrupciones de los trabajos, el transporte, cuando se guarde y se realicen trabajos de mantenimiento o reparación.



Sacar la llave de seguridad durante las interrupciones de los trabajos, el transporte, cuando se guarde y se realicen trabajos de mantenimiento o reparación.



Mantener la distancia de seguridad.



Proteger el acumulador contra el calor y el fuego.



Proteger el cortacésped y el acumulador contra la lluvia y la humedad y no sumergirlo en líquidos.



Mantener el margen de temperatura admisible del acumulador.

4.2 Aplicación para trabajos apropiados

El cortacésped STIHL RMA 460 V sirve para cortar hierba seca y hacer mulching.

El cortacésped no se puede utilizar bajo la lluvia.

El cortacésped recibe energía de un acumulador STIHL AK.

⚠ ADVERTENCIA

- Los acumuladores no autorizados por STIHL para el cortacésped pueden originar incendios y explosiones. Las personas pueden sufrir lesiones graves o mortales y se pueden producir daños materiales.
 - ▶ Utilizar el cortacésped con un acumulador STIHL AK.
- En el caso de que el cortacésped o el acumulador no se empleen de forma apropiada, las personas pueden sufrir lesiones graves o mortales y se pueden producir daños materiales.
 - ▶ Emplear el cortacésped y el acumulador tal y como se especifica en este manual de instrucciones.

4.3 Requerimientos al usuario

⚠ ADVERTENCIA

- Los usuarios no instruidos no pueden identificar o calcular los peligros del cortacésped. El usuario u otras personas pueden sufrir lesiones graves o mortales.



- ▶ Leer este manual de instrucciones, entenderlo y guardarlo.

- ▶ En caso de prestar el cortacésped a otra persona: entregarle el manual de instrucciones.
- ▶ Asegurarse de que el usuario cumple con estos requisitos:
 - El usuario está descansado.
 - El usuario tiene capacidad física, sensorial y psíquica para manejar el cortacésped y el acumulador y trabajar con los mismos. En el caso de que el usuario presente limitaciones físicas, sensoriales o

psíquicas, deberá trabajar solo bajo supervisión y siguiendo las instrucciones de una persona responsable.

- El usuario puede identificar o calcular los peligros del cortacésped y el acumulador.
 - El usuario es mayor de edad o, según las correspondientes regulaciones nacionales, es instruido bajo supervisión en una profesión.
 - El usuario ha recibido instrucciones de un distribuidor especializado de STIHL o una persona especializada antes de trabajar por primera vez con el cortacésped.
 - El usuario no está bajo los efectos del alcohol, medicamentos o drogas.
- ▶ En caso de dudas: acuda a un distribuidor especializado STIHL.

4.4 Ropa y equipo

⚠ ADVERTENCIA

- Durante el trabajo se pueden lanzar hacia arriba objetos a alta velocidad. El usuario puede lesionarse.



- ▶ Ponerse gafas protectoras muy pegadas. Las gafas protectoras apropiadas están verificadas según la norma EN 166 o según las normativas nacionales y se pueden adquirir en el comercio con la correspondiente marcación.

- ▶ Ponerse pantalones largos de material resistente.
- Durante el trabajo se puede levantar polvo por arremolinamiento. El polvo inhalado puede dañar la salud y provocar reacciones alérgicas.
 - ▶ Ponerse una mascarilla protectora contra el polvo.
- La ropa no apropiada se puede enganchar en la leña, la maleza y en el cortacésped. Los usuarios que no lleven ropa apropiada pueden sufrir lesiones graves.
 - ▶ Llevar ropa ceñida.
 - ▶ Quitarse chales y joyas.

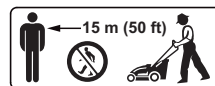
- Durante el trabajo, el usuario puede entrar en contacto con la cuchilla en rotación. El usuario puede lesionarse gravemente.
 - ▶ Ponerse calzado de material resistente.
 - ▶ Ponerse pantalones largos de material resistente.
- Durante la limpieza, el mantenimiento o el transporte, el usuario puede entrar en contacto con la cuchilla. El usuario puede lesionarse.
 - ▶ Ponerse guantes de trabajo de material resistente.
- Si el usuario lleva calzado no apropiado se puede resbalar. El usuario puede lesionarse.
 - ▶ Llevar calzado resistente y cerrado con suela adherente.

4.5 Sector de trabajo y entorno

4.5.1 Cortacésped

⚠ ADVERTENCIA

- Las personas ajenas, los niños y los animales no pueden identificar ni calcular los peligros del cortacésped y los objetos lanzados hacia arriba. Las personas ajenas, los niños y los animales pueden sufrir lesiones graves y se pueden originar daños materiales.



- ▶ Mantener alejados de la zona de trabajo a personas ajenas, niños y animales en un círculo de 15 m.
- ▶ Mantener una distancia de 15 m respecto de objetos.
- ▶ No dejar el cortacésped sin vigilancia.
- ▶ Asegurarse de que los niños no puedan jugar con el cortacésped.
- El cortacésped no está protegido contra el agua. En el caso de estar trabajando bajo la lluvia o en un ambiente húmedo, se puede producir una descarga eléctrica. El usuario puede sufrir lesiones y el cortacésped se puede dañar.



- ▶ No trabajar bajo la lluvia ni en un entorno húmedo.

- ▶ No cortar la hierba mojada y no realizar el mulching.
- Los componentes eléctricos del cortacésped pueden producir chispas. Las chispas pueden provocar incendios y explosiones en un entorno fácilmente inflamable o explosivo. Las personas pueden sufrir lesiones graves o mortales y se pueden producir daños materiales.
 - ▶ No trabajar en un entorno fácilmente inflamable ni en un entorno explosivo.

4.5.2 Acumulador

⚠ ADVERTENCIA

- Las personas ajenas a la máquina, los niños y los animales no pueden identificar ni calcular los peligros del acumulador. Las personas ajenas, los niños y los animales pueden sufrir graves lesiones.
 - ▶ Mantener a personas ajenas a los trabajos, a los niños y los animales alejados.
 - ▶ No dejar el acumulador sin vigilancia.
 - ▶ Asegurarse de que los niños no puedan jugar con el acumulador.
- El acumulador no está protegido contra todas las influencias ambientales. Si el acumulador está expuesto a determinadas influencias ambientales, este puede prender fuego o explotar. Las personas pueden sufrir lesiones graves y se pueden producir daños materiales.



- ▶ Proteger el acumulador contra el calor y el fuego.
- ▶ No echar los acumuladores al fuego.



- ▶ Utilizar y almacenar el acumulador en un margen de temperatura de entre - 10 °C y + 50 °C.



- ▶ Proteger el acumulador contra la lluvia y la humedad y no sumergirlo en líquidos.

- ▶ Mantener el acumulador apartado de objetos metálicos.
- ▶ No someter el acumulador a alta presión.
- ▶ No someter el acumulador a microondas.
- ▶ Proteger el acumulador contra productos químicos y sales.

4.6 Estado seguro

4.6.1 Cortacésped

El cortacésped está en un estado seguro si se cumplen las siguientes condiciones:



- El cortacésped está en perfecto estado.
- El cortacésped está limpio y seco.
- Los elementos de mando funcionan y no se han modificado.
- En el caso de cortar el césped y la hierba segada se haya de recoger en el colector de hierba: el dispositivo de mulching se ha sacado, la guía está desenganchada y el colector de hierba está correctamente enganchado.
- En el caso de cortar el césped y la hierba segada se haya de expulsar por el lateral: el colector de hierba está desenganchado, el dispositivo de mulching está correctamente colocado y la guía está enganchada correctamente.
- En el caso de realizar el mulching: la guía y el colector de hierba están desenganchados y el dispositivo de mulching está colocado correctamente.
- La cuchilla está montada correctamente.
- El protector está correctamente montado.
- Solo se han montado en este cortacésped accesorios originales STIHL.
- Los accesorios están montados correctamente.

⚠ ADVERTENCIA

- En un estado inseguro, los componentes pueden dejar de funcionar correctamente y los dispositivos de seguridad se desactivan. Las personas pueden sufrir lesiones graves o mortales.
 - ▶ Trabajar con un cortacésped que esté en perfecto estado.
 - ▶ Si el cortacésped está sucio o mojado: limpiar el cortacésped y dejarlo secar.
 - ▶ No modificar el cortacésped.
 - ▶ Si los elementos de mando no funcionan: no trabajar con el cortacésped.
 - ▶ En el caso de cortar el césped y la hierba segada se haya de recoger en el colector de hierba: sacar el dispositivo de mulching, desenganchar la guía y enganchar el colector de hierba, tal y como se especifica en este manual de instrucciones.
 - ▶ En el caso de cortar el césped y la hierba segada se haya de recoger en el colector de hierba: desenganchar el colector de hierba, colocar el dispositivo de mulching y enganchar la guía, tal y como se especifica en este manual de instrucciones.
 - ▶ En el caso de realizar el mulching: desenganchar la guía y el colector de hierba y colocar el dispositivo de mulching, tal y como se especifica en este manual de instrucciones.
 - ▶ Montar solo accesorios originales STIHL para este cortacésped.
 - ▶ Montar la cuchilla, tal y como se especifica en este manual de instrucciones.
 - ▶ Montar los accesorios, tal y como se especifica en este manual de instrucciones o en el manual de instrucciones del accesorio.
 - ▶ No introducir objetos en las aberturas del cortacésped.
 - ▶ No unir nunca los contactos del alojamiento de la llave con objetos de metal ni cortocircuitarlos.
 - ▶ En caso de dudas: acuda a un distribuidor especializado STIHL.

4.6.2 Cuchillas

La cuchilla se encuentra en un estado seguro, cuando se cumplen las condiciones siguientes:

- La cuchilla y las piezas adosadas están exentas de daños.
- La cuchilla no está deformada.
- La cuchilla está montada correctamente.
- La cuchilla está afilada correctamente.
- La cuchilla está exenta de rebabas.
- El grosor mínimo y el ancho mínimo de la cuchilla no se ha alcanzado,  22.2.
- El ángulo de afilado es correcto,  22.2.

⚠ ADVERTENCIA

- En un estado inseguro se pueden soltar piezas de la cuchilla y pueden salir despedidas. Las personas pueden sufrir lesiones graves
 - ▶ Trabajar con una cuchilla y piezas adosadas que no estén dañadas.
 - ▶ Afilar correctamente la cuchilla.
 - ▶ Si se ha sobrepasado el grosor mínimo o el ancho mínimo: sustituir la cuchilla.
 - ▶ Hacer equilibrar la cuchilla por un distribuidor especializado STIHL.
 - ▶ En caso de dudas: acuda a un distribuidor especializado STIHL.

4.6.3 Acumulador

El acumulador se encuentra en un estado seguro, cuando se cumplen estas condiciones:

- El acumulador está intacto.
- El acumulador está limpio y seco.
- El acumulador funciona y no ha sido modificado.

▲ ADVERTENCIA

- En un estado inseguro, el acumulador ya no puede funcionar de forma segura. Las personas pueden sufrir lesiones graves.
 - ▶ Trabajar con un acumulador que no esté defectuoso y que funciones bien.
 - ▶ No cargar un acumulador dañado o defectuoso.
 - ▶ Si el acumulador está sucio o mojado: limpiar el acumulador y dejarlo secar.
 - ▶ No modificar el acumulador.
 - ▶ No introducir objetos en las aberturas del acumulador.
 - ▶ No unir nunca los contactos eléctricos del acumulador con objetos de metal ni cortocircuitarlos.
 - ▶ No abrir el acumulador.
- Puede salir líquido de un acumulador dañado. En caso de que el líquido entre en contacto con la piel o los ojos, se pueden irritar estos.
 - ▶ Evitar el contacto con el líquido.
 - ▶ Si se ha producido un contacto con la piel: lavarse las zonas de la piel afectadas con agua abundante y jabón.
 - ▶ Si se ha producido un contacto con los ojos: enjuagar los ojos al menos 15 minutos con agua abundante y acudir al médico.
- Un acumulador dañado o defectuoso puede oler, echar humo o arder de forma poco corriente. Las personas pueden sufrir lesiones graves o mortales y se pueden producir daños materiales.
 - ▶ Si el acumulador huele o echa humo de forma poco corriente: no utilizar el acumulador y mantenerlo alejado de materiales inflamables.
 - ▶ Si el acumulador arde: intentar apagar el acumulador con un extintor o agua.

4.7 Trabajar

▲ ADVERTENCIA

- En determinadas situaciones, el usuario no puede trabajar con concentración. El usuario puede tropezar, caerse o sufrir lesiones graves.
 - ▶ Trabajar con tranquilidad y precaución.
 - ▶ Si las condiciones de luz y de visibilidad son deficientes: no trabajar con el cortacésped.
 - ▶ Manejar solo un operario el cortacésped.
 - ▶ Prestar atención a los obstáculos.
 - ▶ Trabajar estando de pie en el suelo y mantener el equilibrio.
 - ▶ Si presentan signos de fatiga: hacer una pausa de trabajo.
 - ▶ En el caso de segar en una pendiente: segar en sentido transversal respecto de la pendiente.
 - ▶ No segar en pendientes pronunciadas.
- La cuchilla en rotación puede cortar al usuario. El usuario puede lesionarse gravemente.
 - ▶ No tocar la cuchilla en rotación.
 - ▶ En el caso de que se bloquee la cuchilla con un objeto: desconectar el cortacésped, retirar la llave de seguridad y sacar el acumulador. No quitar el objeto hasta ese momento.



- En el caso de trabajar sin el accionamiento, dicho accionamiento se puede conectar de forma accidental y el cortacésped se pone en movimiento. Las personas pueden sufrir lesiones graves y se pueden producir daños materiales.
 - ▶ Accionar el estribo de mando para el accionamiento, cuando haya que conectar el accionamiento.
- Si el cortacésped cambia durante el trabajo o se comporta de forma no habitual, puede que el cortacésped no esté en un estado seguro. Las personas pueden sufrir lesiones graves y se pueden producir daños materiales.
 - ▶ Finalizar el trabajo, retirar la llave de seguridad, sacar el acumulador y acudir a un distribuidor especializado STIHL.
- Durante el trabajo el cortacésped puede producir vibraciones.
 - ▶ Llevar guantes protectores.
 - ▶ Hacer pausas.
 - ▶ Si se producen síntomas de trastornos circulatorios: acudir a un médico.
- Tras soltar el estribo de mando para la siega, la cuchilla sigue girando todavía durante un breve tiempo. Las personas pueden sufrir lesiones graves.
 - ▶ Esperar hasta que la cuchilla deje de girar.
- Si la cuchilla en giro topa en un objeto duro, pueden producirse chispas. Las chispas pueden provocar incendios en un entorno fácilmente inflamable. Las personas pueden sufrir lesiones graves o mortales y se pueden producir daños materiales.
 - ▶ No trabajar en un entorno fácilmente inflamable.

⚠ PELIGRO

- Si se trabaja en el entorno de cables conductores de corriente, la cuchilla puede entrar en contacto con dichos cables y dañarlos. El usuario puede sufrir lesiones graves y mortales.
 - ▶ No trabajar en el entorno de cables conductores de corriente.
- Si se trabaja en caso de haber tormentas, el usuario puede ser alcanzado por un rayo. El usuario puede sufrir lesiones graves y mortales.
 - ▶ Si hay tormenta: no trabajar.

4.8 Transporte

4.8.1 Cortacésped

⚠ ADVERTENCIA

- Durante el transporte, el cortacésped puede volcar o moverse. Las personas pueden sufrir lesiones y se pueden producir daños materiales.



- ▶ Retirar la llave de seguridad.



- ▶ Sacar el acumulador.

- ▶ Asegurar el cortacésped con correas, correas tensoras o con una red, de manera que no pueda volcar ni moverse.
- Si durante el transporte con el accionamiento desconectado, la llave de seguridad insertada y el acumulador montado, el accionamiento se puede conectar de forma accidental y el cortacésped se pone en movimiento. Las personas pueden sufrir lesiones graves y se pueden producir daños materiales.



- ▶ Retirar la llave de seguridad.



- ▶ Sacar el acumulador.

- El cortacésped pesa mucho. Si el usuario lleva el cortacésped él solo, se puede lesionar.
 - ▶ Llevar dos personas el cortacésped.

4.8.2 Acumulador

⚠ ADVERTENCIA

- El acumulador no está protegido contra todas las influencias ambientales. Si el acumulador está expuesto a determinadas influencias ambientales, este puede dañarse y se pueden producir daños materiales.
 - ▶ No transportar un acumulador dañado.
 - ▶ Transportar el acumulador en un embalaje no conductor de electricidad.
- Durante el transporte, el acumulador puede volcar o moverse. Las personas pueden sufrir lesiones y se pueden producir daños materiales.
 - ▶ Empaquetar el acumulador en el embalaje, de manera que no pueda moverse.
 - ▶ Asegurar el embalaje, de manera que no pueda moverse.

4.9 Almacenamiento

4.9.1 Cortacésped

⚠ ADVERTENCIA

- Los niños no pueden identificar ni calcular los peligros del cortacésped. Los niños pueden sufrir lesiones graves.



- ▶ Retirar la llave de seguridad.



- ▶ Sacar el acumulador.

- ▶ Guardar el cortacésped fuera del alcance de los niños.
- Los contactos eléctricos del cortacésped y los componentes metálicos se pueden corroer por la humedad. El cortacésped puede dañarse.



- ▶ Retirar la llave de seguridad.



- ▶ Sacar el acumulador.

- ▶ Guardar el cortacésped limpio y seco.

- Si durante el almacenamiento está la llave de seguridad insertada y el acumulador montado, el accionamiento se puede conectar de forma accidental y el cortacésped se pone en movimiento. Las personas pueden sufrir lesiones graves y se pueden producir daños materiales.



- ▶ Retirar la llave de seguridad.



- ▶ Sacar el acumulador.

4.9.2 Acumulador

⚠ ADVERTENCIA

- Los niños no pueden identificar ni calcular los peligros del acumulador. Los niños pueden sufrir lesiones graves.
 - ▶ Guardar el acumulador fuera del alcance de los niños.
- El acumulador no está protegido contra todas las influencias ambientales. Si el acumulador está expuesto a determinadas influencias ambientales, este puede dañarse.
 - ▶ Guardar el acumulador limpio y seco.
 - ▶ Guardar el acumulador en un local cerrado.
 - ▶ Guardar el acumulador separado del cortacésped y del cargador.
 - ▶ Guardar el acumulador en un embalaje no conductor de electricidad.
 - ▶ Utilizar el acumulador en un margen de temperatura de entre - 10°C y + 50°C.

4.10 Limpieza, mantenimiento y reparación

⚠ ADVERTENCIA

- Si durante la limpieza, el mantenimiento o la reparación está la llave de seguridad insertada y el acumulador montado, se puede conectar el insertada de forma accidental. Las personas pueden sufrir lesiones graves y se pueden producir daños materiales.



- ▶ Retirar la llave de seguridad.



- ▶ Sacar el acumulador.

- Si durante la limpieza, el mantenimiento y la reparación está la llave de seguridad insertada y el acumulador montado, el accionamiento se puede conectar de forma

accidental y el cortacésped se pone en movimiento. Las personas pueden sufrir lesiones graves y se pueden producir daños materiales.



- ▶ Retirar la llave de seguridad.



- ▶ Sacar el acumulador.

- Los detergentes agresivos, la limpieza con un chorro de agua o los objetos puntiagudos pueden dañar el cortacésped, la cuchilla y el acumulador. En el caso de que no se limpie correctamente el cortacésped, la cuchilla o el acumulador, pueden dejar de funcionar correctamente los componentes y desactivarse los dispositivos de seguridad. Las personas pueden sufrir lesiones graves.
 - ▶ Limpiar el cortacésped, la cuchilla y el acumulador tal y como se especifica en este manual de instrucciones.
- En el caso de que no se efectúe correctamente el mantenimiento o la reparación del cortacésped, la cuchilla o el acumulador, pueden dejar de funcionar correctamente los componentes y desactivarse los dispositivos de seguridad. Las personas pueden sufrir lesiones graves o mortales.
 - ▶ No realizar el mantenimiento y la reparación del cortacésped y el acumulador uno mismo.
 - ▶ En el caso de que haya que realizar el mantenimiento o la reparación del cortacésped o el acumulador: acudir a un distribuidor especializado STIHL.
 - ▶ Realizar el mantenimiento de la cuchilla tal y como se especifica en este manual de instrucciones.
- Durante la limpieza, el mantenimiento o la reparación de la cuchilla, el usuario se puede cortar con los filos de esta. El usuario puede lesionarse.
 - ▶ Ponerse guantes de trabajo de material resistente.

5 Preparar el cortacésped para el trabajo

5.1 Preparar el cortacésped para el trabajo

Antes de comenzar el trabajo, se han de realizar siempre los siguientes pasos:

- ▶ Asegurarse de que los siguientes componentes se encuentren en un estado que permita trabajar con seguridad:
 - Cortacésped, 4.6.1.
 - Cuchilla, 4.6.2.
 - Acumulador, 4.6.3.
- ▶ Comprobar el acumulador, 13.3.
- ▶ Cargar por completo el acumulador, 6.1.
- ▶ Limpiar el cortacésped, 18.2.
- ▶ Comprobar la cuchilla, 13.2.
- ▶ Montar el manillar, 7.1.
- ▶ Desplegar el manillar y ajustarlo, 8.1.
- ▶ Si se corta la hierba y esta se ha de recoger en el colector de hierba:
 - ▶ Desenganchar la guía, 7.3.2.
 - ▶ Sacar el dispositivo de mulching, 7.3.2.
 - ▶ Enganchar el colector de hierba, 7.2.1.
- ▶ Si se corta la hierba y esta se ha de dirigir al suelo por el lateral:
 - ▶ Sacar el dispositivo de mulching, 7.3.2.
 - ▶ Desenganchar el colector de hierba, 7.2.2.
 - ▶ Enganchar la guía, 7.4.1.
- ▶ En el caso de hacer mulching:
 - ▶ Desenganchar la guía, 7.4.2.
 - ▶ Desenganchar el colector de hierba, 7.2.2.
 - ▶ Enganchar el dispositivo de mulching, 7.3.1.
- ▶ Ajustar la altura de corte, 14.2.
- ▶ Comprobar los elementos de mando, 13.1.

- ▶ Si durante la comprobación de los elementos de mando parpadean en rojo 3 LEDs: retirar la llave de seguridad, sacar el acumulador y acudir a un distribuidor especializado STIHL.
En el cortacésped hay una perturbación.
- ▶ Si no se pueden realizar estos pasos: no utilizar el cortacésped y acudir a un distribuidor especializado STIHL.

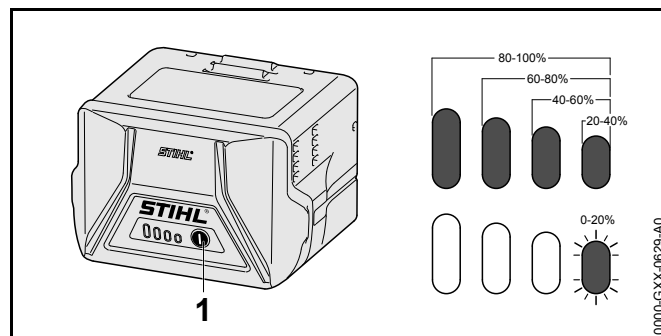
6 Cargar el acumulador y LEDs

6.1 Cargar el acumulador

El tiempo de carga depende de distintas influencias, p. ej. de la temperatura del acumulador o de la temperatura ambiente. El tiempo de carga efectivo puede divergir del indicado. El tiempo de carga se especifica en www.stihl.com/charging-times.

- ▶ Cargar el acumulador tal como se describe en el manual de instrucciones de los cargadores STIHL AL 101, 300, 500.

6.2 Indicar el estado de carga



- ▶ Pulsar la tecla (1).
Los LEDs lucen en verde durante unos 5 segundos e indican el estado de carga.
- ▶ Si el LED derecho parpadea en verde: cargar el acumulador.

6.3 LEDs en el acumulador

Los LEDs pueden indicar el estado de carga del acumulador o averías. Los LEDs pueden lucir permanentemente o bien parpadear en verde o en rojo.

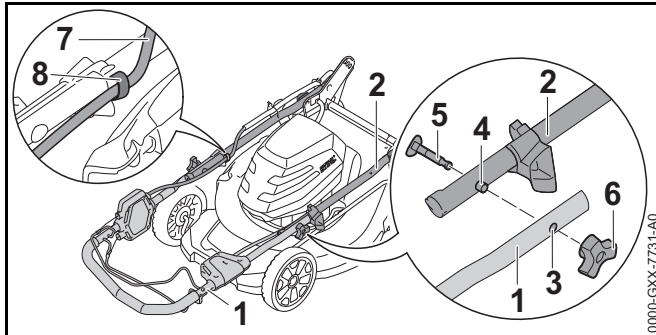
Si los LEDs lucen permanentemente o parpadean en verde, se indica el estado de carga.

- ▶ Si los LEDs lucen o parpadean en rojo: subsanar las perturbaciones, 21.1.
En el cortacésped o en el acumulador existe una perturbación.

7 Ensamblar el cortacésped

7.1 Montar el manillar

- ▶ Desconectar el cortacésped, retirar la llave de seguridad y sacar el acumulador.
- ▶ Depositar el cortacésped sobre una superficie plana.



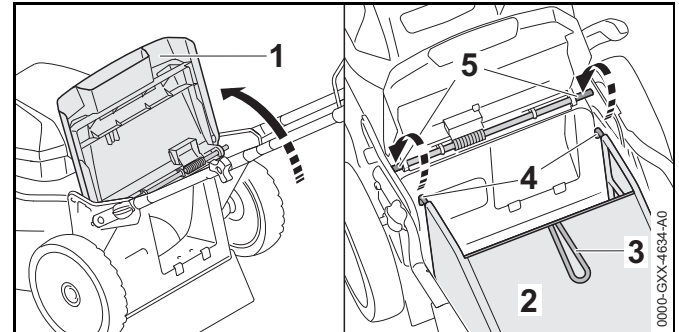
- ▶ Alinear la parte superior del manillar (1) y la parte inferior del manillar (2), de manera que el pivote (4) encaje en el orificio (3) en ambos lados.
- ▶ Poner el tornillo (5) y alinearlos, de manera que en ambos lados la cabeza del tornillo quede enrasada con la parte inferior del manillar (2).
- ▶ Enroscar la tuerca de asidero de estrella (6).
- ▶ Oprimir el cable (7) en el soporte (8) en ambos lados.

El manillar no se tiene que volver a desmontar.

7.2 Enganchar y desenganchar el colector de hierba

7.2.1 Enganchar el colector de hierba

- ▶ Desconectar el cortacésped, retirar la llave de seguridad y sacar el acumulador.
- ▶ Depositar el cortacésped sobre una superficie plana.
- ▶ Si está engancheda la guía: desengancharla.
- ▶ Si está colocado el dispositivo de mulching: sacar dicho dispositivo.



- ▶ Abrir la compuerta de expulsión (1) y sujetarla.
- ▶ Sujetar el colector de hierba (2) por el asidero (3) y enganchar los ganchos (4) en el eje (5).
- ▶ Colocar la compuerta de expulsión (1) sobre el colector de hierba (2).

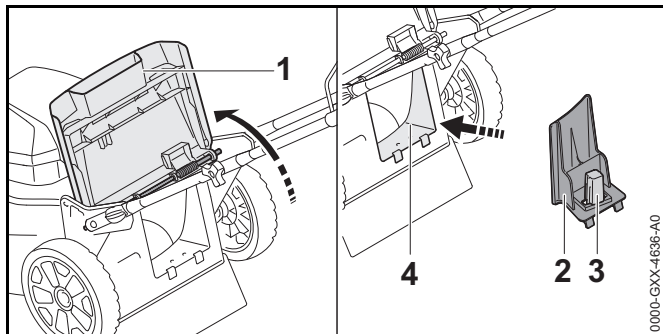
7.2.2 Desenganchar el colector de hierba

- ▶ Desconectar el cortacésped, retirar la llave de seguridad y sacar el acumulador.
- ▶ Depositar el cortacésped sobre una superficie plana.
- ▶ Abrir la compuerta de expulsión y sujetarla.
- ▶ Sacar el colector de hierba y sacarlo hacia arriba sujetándolo por el asidero.
- ▶ Cerrar la compuerta de expulsión.

7.3 Colocar y sacar el dispositivo de mulching

7.3.1 Colocar el dispositivo de mulching

- ▶ Desconectar el cortacésped, retirar la llave de seguridad y sacar el acumulador.
- ▶ Depositar el cortacésped sobre una superficie plana.



- ▶ Abrir la compuerta de expulsión (1) y sujetarla.
- ▶ Sujetar el dispositivo de mulching (2) por el asidero (3) y colocarlo en el canal de expulsión (4).
- ▶ Cerrar la compuerta de expulsión (1).

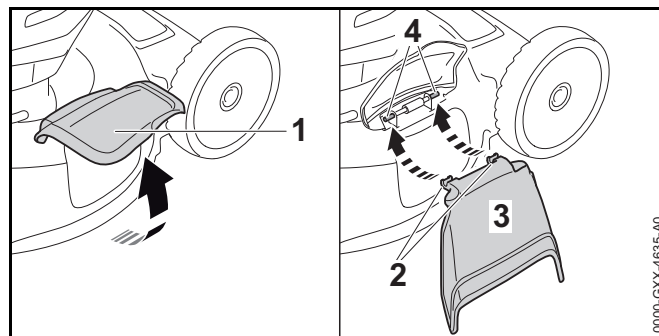
7.3.2 Sacar el dispositivo de mulching

- ▶ Desconectar el cortacésped, retirar la llave de seguridad y sacar el acumulador.
- ▶ Depositar el cortacésped sobre una superficie plana.
- ▶ Abrir la compuerta de expulsión y sujetarla.
- ▶ Sacar el dispositivo de mulching.
- ▶ Cerrar la compuerta de expulsión.

7.4 Enganchar y desenganchar la guía

7.4.1 Enganchar la guía

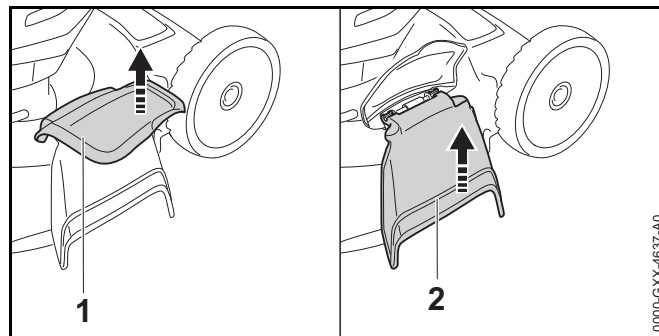
- ▶ Desconectar el cortacésped, retirar la llave de seguridad y sacar el acumulador.
- ▶ Depositar el cortacésped sobre una superficie plana.



- ▶ Abrir la compuerta lateral de expulsión (1) y sujetarla.
- ▶ Enganchar los ganchos (2) por abajo en el eje (4).
- ▶ Colocar la compuerta lateral de expulsión (1) en la guía (3).

7.4.2 Enganchar la guía

- ▶ Desconectar el cortacésped, retirar la llave de seguridad y sacar el acumulador.
- ▶ Depositar el cortacésped sobre una superficie plana.

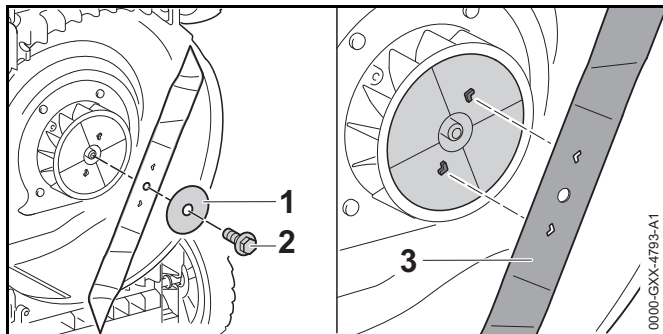


- ▶ Abrir la compuerta lateral de expulsión (1) y sujetarla.
- ▶ Abatir la guía (2) hacia arriba y quitarla.
- ▶ Cerrar la compuerta lateral de expulsión (1).

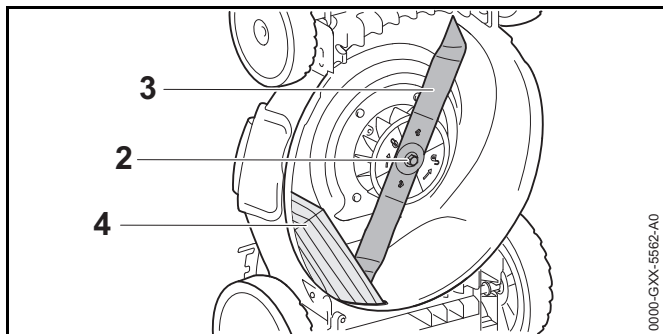
7.5 Montar y desmontar la cuchilla

7.5.1 Montar la cuchilla

- ▶ Desconectar el cortacésped, retirar la llave de seguridad y sacar el acumulador.
- ▶ Poner el cortacésped en posición vertical.



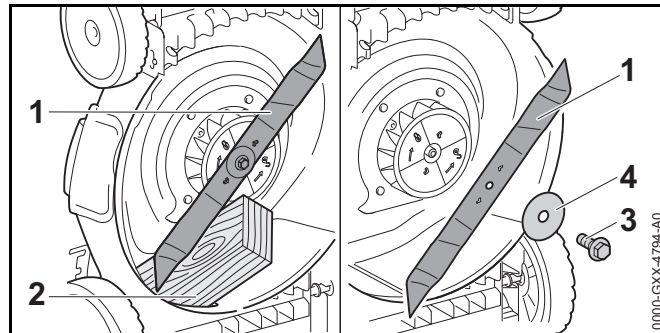
- ▶ Colocar la arandela (1) sobre el tornillo (2).
- ▶ Humectar el tornillo (2) con Loctite 243 o Loctite 242.
- ▶ Aplicar la cuchilla (3), de manera que las elevaciones en la superficie de tope (4) encajen en los rebajes de la cuchilla (3).



- ▶ Enroscar el tornillo (2) junto con la arandela (1).
- ▶ Bloquear la cuchilla (3) con un trozo de madera (4).
- ▶ Apretar el tornillo (2) firmemente.

7.5.2 Desmontar la cuchilla

- ▶ Desconectar el cortacésped, retirar la llave de seguridad y sacar el acumulador.
- ▶ Poner el cortacésped en posición vertical.

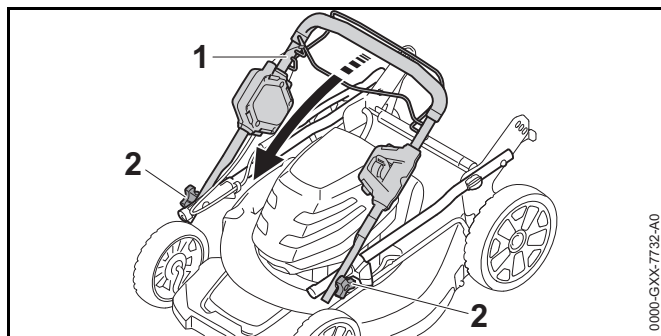


- ▶ Bloquear la cuchilla (1) con un trozo de madera (2).
- ▶ Desenroscar los tornillos (3).
- ▶ Quitar la arandela (4).
- ▶ Quitar la cuchilla (1).

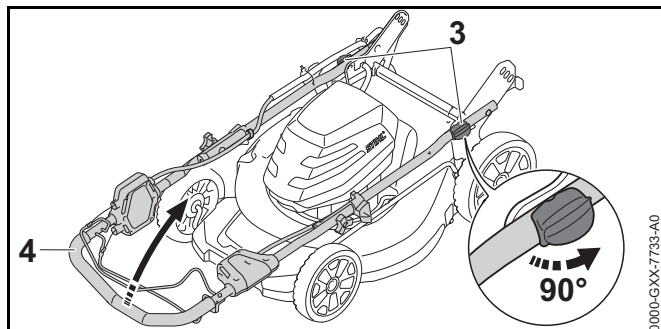
8 Ajustar el cortacésped para el usuario

8.1 Desplegar el manillar y ajustarlo

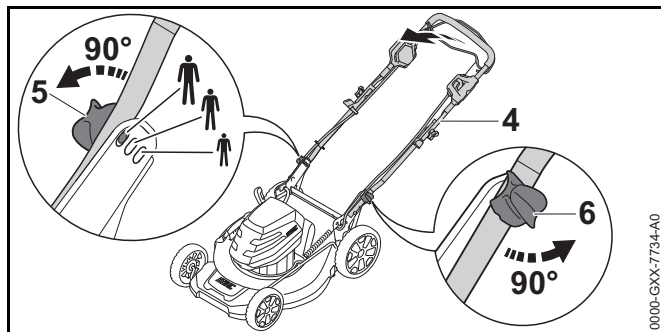
- ▶ Desconectar el cortacésped, retirar la llave de seguridad y sacar el acumulador.
- ▶ Depositar el cortacésped sobre una superficie plana.



- ▶ Desplegar la parte superior del manillar (1).
- ▶ Apretar las tuercas de asidero de estrella (2).



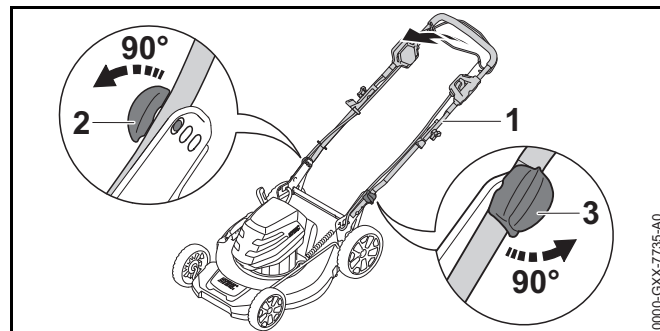
- ▶ Girar la palanca (3) 90°.
- ▶ Desplegar por completo el manillar(4).



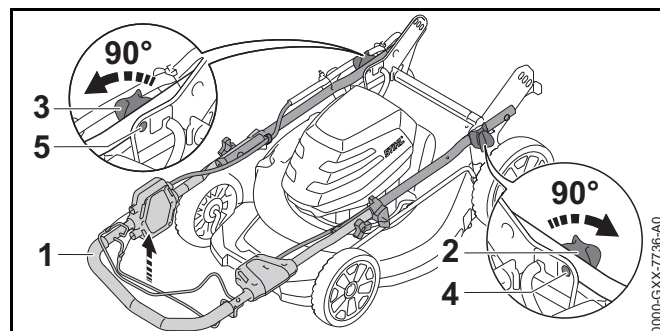
- ▶ Alinear el manillar (4), de manera que los pernos de las palancas (5 y 6) queden alineados con las posiciones deseadas.
- ▶ Girar las palancas (5 y 6) 90°. Los pernos de las palancas (5 y 6) encajan en los orificios a la misma altura.

8.2 Plegar el manillar

- ▶ Desconectar el cortacésped, retirar la llave de seguridad y sacar el acumulador.
- ▶ Depositar el cortacésped sobre una superficie plana.

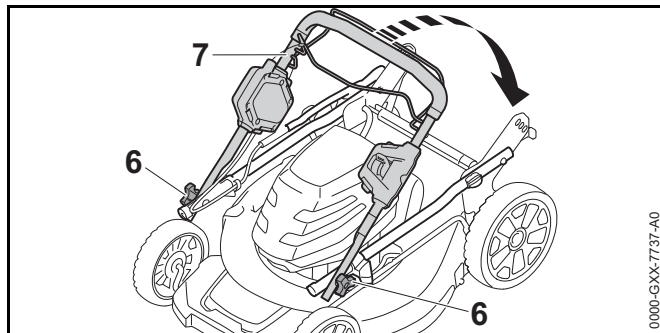


- ▶ Sujetar el manillar (1) y girar la palanca (2) 90°.
- ▶ Girar la palanca (3) 90°.
- ▶ Plegar el manillar (1).



- ▶ Girar las dos palancas (2 y 3) 90°.

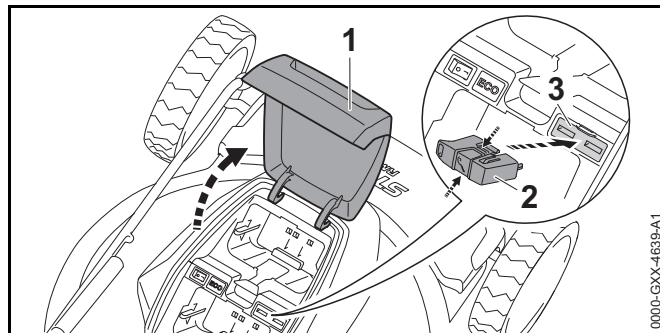
- ▶ Oprimir el manillar (1) hacia arriba hasta que encastran los pernos (4 y 5) de las palancas (2 y 3). El manillar (1) está fijado.



- ▶ Aflojar las tuercas de asidero de estrella (6).
- ▶ Plegar la parte superior del manillar (7).

9 Insertar la llave de seguridad y retirarla

9.1 Insertar la llave de seguridad



- ▶ Abrir la tapa (1) hasta el tope y sujetarla.
- ▶ Oprimir la llave de seguridad (2) y mantenerla oprimida.
- ▶ Insertar la llave de seguridad (2) en el alojamiento (3). La llave de seguridad (2) encaja con un clic.
- ▶ Cerrar la tapa (1).

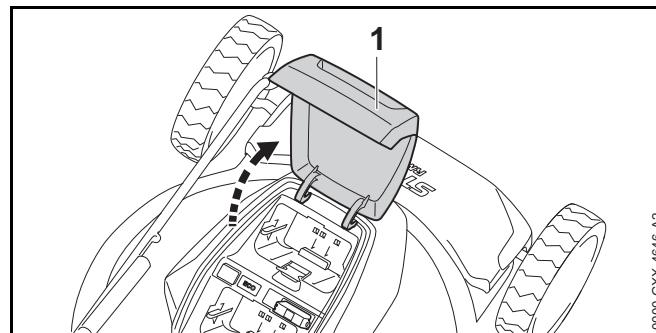
9.2 Retirar la llave de seguridad

- ▶ Abrir la tapa hasta el tope y sujetarla.
- ▶ Oprimir la llave de seguridad y mantenerla oprimida.
- ▶ Retirar la llave de seguridad.
- ▶ Cerrar la tapa.
- ▶ Guardar la llave de seguridad fuera del alcance de los niños.

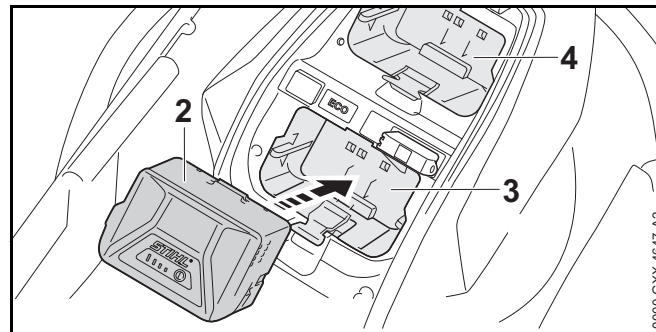
10 Colocar y sacar el acumulador

10.1 Colocar el acumulador

El cortacésped está equipado con dos cavidades de acumulador. El acumulador de repuesto también se puede llevar.



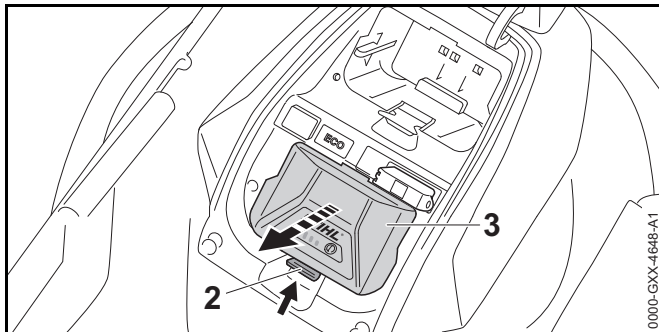
- ▶ Abrir la tapa (1) hasta el tope y sujetarla.



- ▶ Oprimir el acumulador (2) en su cavidad (3) hasta el tope. El acumulador (2) encaja con un clic.
- ▶ En el caso de tener que llevar un acumulador de repuesto: colocar el acumulador de repuesto en la cavidad (4). El acumulador encaja con un clic.
- ▶ Cerrar la tapa (1).

10.2 Sacar el acumulador

- ▶ Depositar el cortacésped sobre una superficie plana.
- ▶ Abrir la tapa (1) hasta el tope y sujetarla.

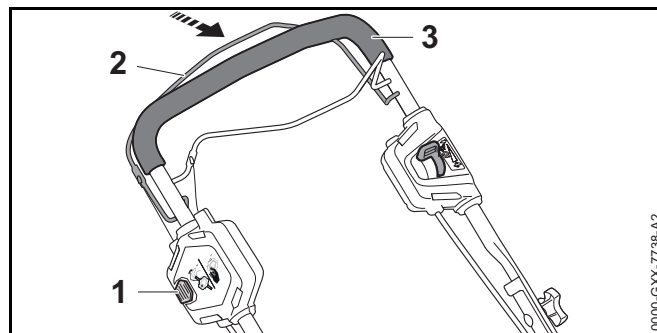


- ▶ Presionar la palanca de bloqueo (2). El acumulador (3) está desenclavado y se puede sacar.
- ▶ Cerrar la tapa (1).

11 Conectar y desconectar el cortacésped

11.1 Conectar el cortacésped

- ▶ Depositar el cortacésped sobre una superficie plana.




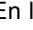
- ▶ Oprimir el botón de bloqueo (1) con la mano derecha y retenerlo.
- ▶ Tirar por completo del estribo de mando para la siega (2) con la mano izquierda hacia el manillar (3) y sujetarlo, de manera que el pulgar abrace el manillar (3). La cuchilla gira.
- ▶ Soltar el botón de bloqueo (1).
- ▶ Sujetar el manillar (3) y el estribo de mando para la siega (2) con la mano derecha, de manera que el pulgar abrace el manillar (3).

11.2 Desconectar el cortacésped

- ▶ Soltar el estribo de mando para la siega.
- ▶ Esperar hasta que la cuchilla deje de girar.
- ▶ Si la cuchilla sigue girando: retirar la llave de seguridad, sacar el acumulador y acudir a un distribuidor especializado STIHL. El cortacésped está averiado.

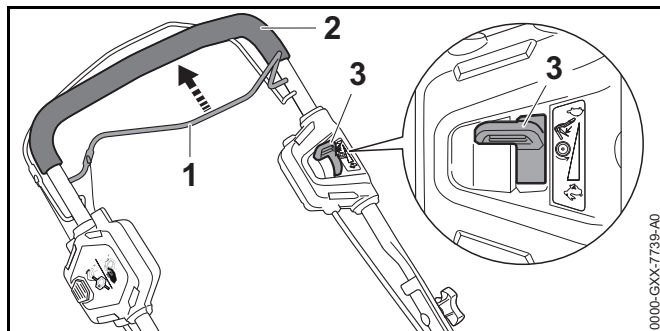
12 Conectar y desconectar el accionamiento

12.1 Conectar el accionamiento

La velocidad del cortacésped se puede ajustar progresivamente de 1 km/h hasta 4,5 km/h. En la posición , el cortacésped, el cortacésped se mueve a la máxima velocidad. En la posición , el cortacésped, el cortacésped se mueve a la velocidad más baja.

La velocidad ajustada influye en el tiempo de funcionamiento del acumulador. Cuanto más baja es la velocidad, tanto mayor es el tiempo de funcionamiento del acumulador.

- ▶ Depositar el cortacésped sobre una superficie plana.



- ▶ Tirar por completo del estribo de mando para el accionamiento (1) hacia el manillar (2) y sujetarlo, de manera que el pulgar abrace el manillar (2). El cortacésped se pone en movimiento.
- ▶ Poner la palanca (3) en la posición deseada.

12.2 Desconectar el accionamiento

- ▶ Soltar el estribo de mando para el accionamiento.
- ▶ Esperar a que se detenga el cortacésped.
- ▶ Si el cortacésped sigue moviéndose: retirar la llave de seguridad, sacar el acumulador y acudir a un distribuidor especializado STIHL. El cortacésped está averiado.

13 Comprobar el cortacésped y el acumulador

13.1 Comprobar los elementos de mando

Botón de bloqueo y estribo de mando para la siega


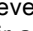
- ▶ Retirar la llave de seguridad.
- ▶ Sacar el acumulador.

- ▶ Oprimir el botón de bloqueo y soltarlo de nuevo.
- ▶ Tirar por completo del estribo de mando para la siega hacia el manillar y volver a soltarlo.
- ▶ Si el botón de bloqueo o el estribo de mando para la siega se mueve con dificultad o no vuelve a la posición de salida: no utilizar el cortacésped y acudir a un distribuidor especializado STIHL. El botón de bloqueo o el estribo de mando para la siega está averiado.

Estribo de mando para el accionamiento

- ▶ Retirar la llave de seguridad.
- ▶ Sacar el acumulador.
- ▶ Tirar por completo del estribo de mando para el accionamiento hacia el manillar y volver a soltarlo.
- ▶ Si el estribo de mando para el accionamiento se mueve con dificultad o no vuelve a la posición de salida: no utilizar el cortacésped y acudir a un distribuidor especializado STIHL. El estribo de mando para el accionamiento está averiado.

Palanca

- ▶ Retirar la llave de seguridad.
- ▶ Sacar el acumulador.
- ▶ Poner la palanca en , luego en .
- ▶ Si la palanca se mueve con mucha facilidad: no utilizar el cortacésped y acudir a un distribuidor especializado STIHL. La palanca está averiada.

Conectar el cortacésped

- ▶ Insertar la llave de seguridad.
- ▶ Colocar el acumulador.
- ▶ Oprimir el botón de bloqueo con la mano derecha y retenerlo.
- ▶ Tirar por completo del estribo de mando para la siega con la mano izquierda hacia el manillar y sujetarlo, de manera que el pulgar abrace el manillar. La cuchilla gira.

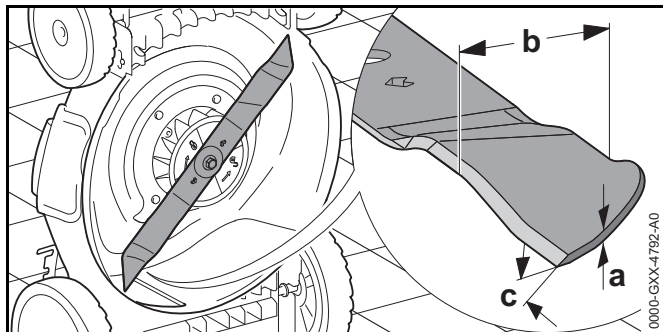
- ▶ Si parpadean 3 LEDs en rojo: retirar la llave de seguridad, sacar el acumulador y acudir a un distribuidor especializado STIHL.
En el cortacésped hay una perturbación.
- ▶ Soltar el botón de bloqueo y el estribo de mando para la siega.
La cuchilla deja de girar tras un breve lapso de tiempo.
- ▶ Si la cuchilla se sigue moviendo: retirar la llave de seguridad, sacar el acumulador y acudir a un distribuidor especializado STIHL.
El cortacésped está averiado.

Conectar el accionamiento

- ▶ Insertar la llave de seguridad.
- ▶ Colocar el acumulador.
- ▶ Tirar por completo del estribo de mando para el accionamiento hacia el manillar y sujetarlo, de manera que el pulgar abrace el manillar.
El cortacésped se pone en movimiento.
- ▶ Soltar el estribo de mando para el accionamiento.
El cortacésped se detiene.
- ▶ Si el cortacésped sigue moviéndose: sacar el acumulador y acudir a un distribuidor especializado STIHL.
El cortacésped está averiado.

13.2 Comprobar la cuchilla

- ▶ Desconectar el cortacésped, retirar la llave de seguridad y sacar el acumulador.
- ▶ Poner el cortacésped en posición vertical.



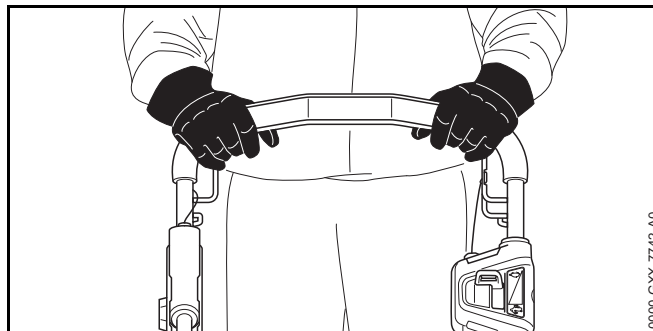
- ▶ Medir lo siguiente:
 - Grosor a
 - Ancho b
 - Ángulo de afilado c
- ▶ Si no se alcanza el grosor mínimo o el ancho mínimo: sustituir la cuchilla, 22.2.
- ▶ Si no se ha observado el ángulo de afilado: afilar la cuchilla, 22.2.
- ▶ En caso de dudas: acuda a un distribuidor especializado STIHL.

13.3 Comprobar el acumulador

- ▶ Pulsar la tecla en el acumulador
Los LEDs lucen o parpadean.
- ▶ Si los LEDs no lucen o parpadean: no utilizar el acumulador y acudir a un distribuidor especializado STIHL.
Hay una perturbación en el acumulador.

14 Trabajar con el cortacésped

14.1 Sujeción y manejo de la máquina

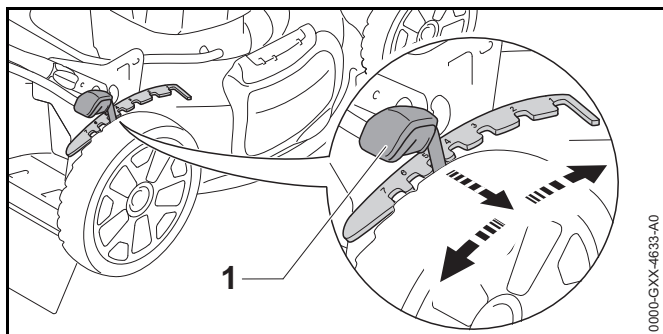


- ▶ Sujetar el manillar con ambas manos, de manera que el pulgar abrace el manillar.

14.2 Ajustar la altura de corte

Según la aplicación, se pueden ajustar 8 alturas de corte:

- 25 mm = posición 1
- 34 mm = posición 2
- 44 mm = posición 3
- 54 mm = posición 4
- 64 mm = posición 5
- 76 mm = posición 6
- 88 mm = posición 7
- 100 mm = posición 8



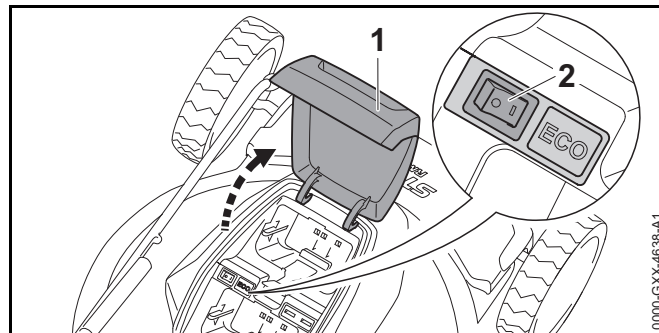
Las posiciones están indicadas en el cortacésped.

- ▶ Extraer la palanca (1) del rebaje y ponerla en la posición deseada.

14.3 Conectar el modo ECO

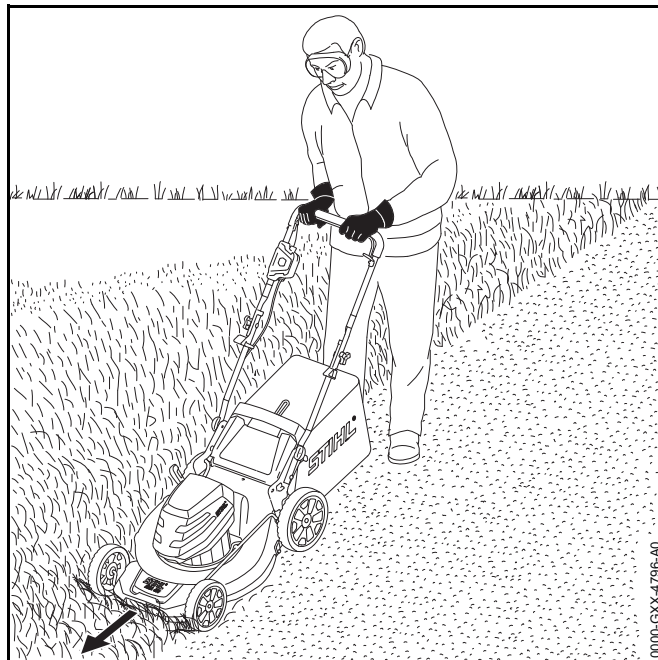
Estando conectado el modo ECO, el cortacésped registra las condiciones de trabajo actuales y ajusta automáticamente el régimen apropiado de la cuchilla.

De esta manera se puede alargar el tiempo de funcionamiento del acumulador.



- ▶ Abrir la tapa (1) hasta el tope y sujetarla.
- ▶ Poner el interruptor ECO (2) en la posición I.
- ▶ Cerrar la tapa (1).

14.4 Siega y mulching



- ▶ En el caso de trabajar estando el accionamiento conectado: conducir el cortacésped hacia adelante de forma controlada.
- ▶ En el caso de trabajar estando el accionamiento desconectado: empujar lentamente el cortacésped hacia delante y de forma controlada.

15 Después del trabajo

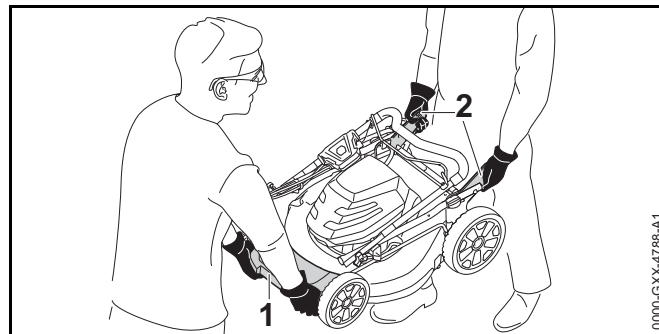
15.1 Después del trabajo

- ▶ Desconectar el cortacésped, retirar la llave de seguridad y sacar el acumulador.
- ▶ Si el cortacésped está mojado: dejarlo secar.
- ▶ Si el acumulador está mojado: dejarlo secar.
- ▶ Limpiar el cortacésped.
- ▶ Limpiar el acumulador.

16 Transporte

16.1 Transportar el cortacésped

- ▶ Desconectar el cortacésped.
La cuchilla no debe girar.
- ▶ Si se transporta el cortacésped con el accionamiento conectado:
 - ▶ Conectar el accionamiento.
 - ▶ Mover el cortacésped hacia delante de forma controlada.
- ▶ Si se transporta el cortacésped con el accionamiento desconectado: empujar el cortacésped hacia delante de forma controlada.



- ▶ En el caso de llevar la máquina:
 - ▶ Retirar la llave de seguridad y sacar el acumulador.
 - ▶ Plegar el manillar.
 - ▶ Sujetar el cortacésped con ambas manos por la cubierta (1) y sujetarla con ambas manos por las consolas (2) y llevarla entre dos personas.
- ▶ Si el cortacésped se transportan en un vehículo:
 - ▶ Retirar la llave de seguridad y sacar el acumulador.
 - ▶ Asegurar el cortacésped de modo que no se pueda volcar ni mover.

16.2 Transportar el acumulador

- ▶ Desconectar el cortacésped y sacar el acumulador.
- ▶ Asegurarse de que el acumulador se encuentre en un estado que permita trabajar con seguridad.
- ▶ Embalar el acumulador, de manera que se cumplan las siguientes condiciones:
 - El embalaje no es conductor de electricidad.
 - El acumulador no se puede mover en el embalaje.
- ▶ Asegurar el embalaje, de manera que no pueda moverse.

El acumulador está sujeto a los requerimientos para el transporte de mercancías peligrosas. El acumulador está clasificado como ONU 3480 (baterías de iones de litio) y se ha comprobado según el manual de comprobaciones y criterios ONU, parte III, capítulo 38.3.

Las disposiciones de transporte se indican www.stihl.com/safety-data-sheets.

17 Almacenamiento

17.1 Almacenamiento del cortacésped

- ▶ Desconectar el cortacésped, retirar la llave de seguridad y sacar el acumulador.
- ▶ Guardar el cortacésped, de manera que se cumplan las siguientes condiciones:
 - El cortacésped está fuera del alcance de los niños.
 - El cortacésped está limpio y seco.

17.2 Guardar el acumulador

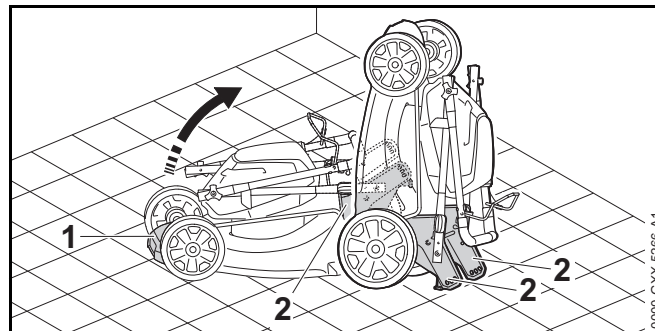
STIHL recomienda guardar el acumulador en un estado de carga de entre el 40 % y el 60 % (2 LEDs luciendo en verde).

- ▶ Guardar el acumulador, de manera que se cumplan las siguientes condiciones:
 - El acumulador está fuera del alcance de los niños.
 - El acumulador está limpio y seco.
 - El acumulador está en un local cerrado.
 - El acumulador está separado del cortacésped y el cargador.
 - El acumulador está en un embalaje no conductor de electricidad.
 - Utilizar el acumulador en un margen de temperatura de entre - 10 °C y + 50 °C.

18 Limpiar

18.1 Poner el cortacésped en posición vertical

- ▶ Desconectar el cortacésped, retirar la llave de seguridad y sacar el acumulador.
- ▶ Depositar el cortacésped sobre una superficie plana.
- ▶ Ajustar la altura de corte a la posición 4.
- ▶ Plegar el manillar.



- ▶ Agarrar el cortacésped con una mano por la cubierta (1) y, con la otra, por la consola (2).
- ▶ Poner el cortacésped en posición vertical, de manera que las consolas (2) toquen el suelo.

18.2 Limpiar el cortacésped

- ▶ Desconectar el cortacésped, retirar la llave de seguridad y sacar el acumulador.
- ▶ Limpiar el cortacésped con un paño húmedo.
- ▶ Limpiar el canal de expulsión y el canal lateral de expulsión con un cepillo blando o con un paño húmedo.
- ▶ Quitar los cuerpos extraños de la cavidad para el acumulador y limpiar dicha cavidad con un paño húmedo.
- ▶ Limpiar los contactos eléctricos en la cavidad para el acumulador con un pincel o con un cepillo blando.
- ▶ Limpiar la ranura de ventilación con un pincel blando.
- ▶ Poner el cortacésped en posición vertical.
- ▶ Limpiar la zona alrededor de la cuchilla y la cuchilla con un cepillo blando o un paño húmedo.

18.3 Limpiar el acumulador

- ▶ Limpiar el acumulador con un paño húmedo.

19 Mantenimiento

19.1 Afilar y equilibrar la cuchilla

Se requiere mucha experiencia para afilar y equilibrar la cuchilla correctamente.

Las limas STIHL, los medios para limar STIHL y las afiladoras STIHL sirven de ayuda para afilar correctamente la cadena.

STIHL recomienda encargar el afilado y equilibrado de la cuchilla un distribuidor especializado STIHL.

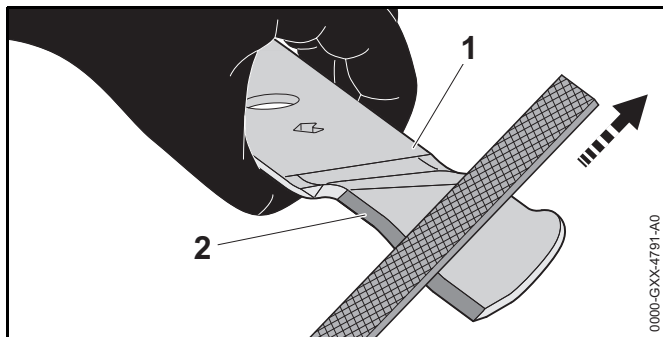


ADVERTENCIA

Los filos de corte de la cuchilla están afilados. El usuario puede cortarse.

- ▶ Ponerse guantes de trabajo de material resistente.

- ▶ Desconectar el cortacésped, retirar la llave de seguridad y sacar el acumulador.
- ▶ Poner el cortacésped en posición vertical.
- ▶ Desmontar la cuchilla.



- ▶ Limar con una lima plana STIHL el filo de corte (2) realizando un movimiento hacia delante. Para ello, tener en cuenta el ángulo de afilado, 22.2.
- ▶ Girar la cuchilla (1).
- ▶ Afilar el otro filo de corte (2).
- ▶ Montar la cuchilla.

- ▶ En caso de dudas: acuda a un distribuidor especializado STIHL.

20 Reparación

20.1 Reparar el cortacésped y el acumulador

El usuario no puede realizar la reparación del cortacésped, la cuchilla y el acumulador él mismo.

- ▶ Si el cortacésped o la cuchilla está averiado: no utilizar el cortacésped o la cuchilla y acudir a un distribuidor especializado STIHL.
- ▶ Si el acumulador está averiado o dañado: sustituirlo.
- ▶ Si hay rótulos indicadores ilegibles o dañados: llevarlo a un distribuidor especializado STIHL para su sustitución.

21 Subsanan las perturbaciones

21.1 Subsanan las perturbaciones del cortacésped o el acumulador

Perturbación	LEDs en el acumulador	Causa	Remedio
El cortacésped no se pone en marcha al conectarlo.	1 LED parpadea en verde.	El estado de carga del acumulador es insuficiente.	► Cargar el acumulador.
	1 LED luce en rojo.	El acumulador está demasiado caliente o demasiado frío.	► Retirar la llave de seguridad. ► Sacar el acumulador. ► Dejar enfriarse o calentarse el acumulador.
	3 LEDs parpadean en rojo.	En el cortacésped hay una perturbación.	► Retirar la llave de seguridad. ► Sacar el acumulador. ► Limpiar los contactos eléctricos en la cavidad para el acumulador. ► Colocar el acumulador. ► Conectar el cortacésped. ► Si siguen parpadeando 3 LEDs en rojo: no utilizar el cortacésped y acudir a un distribuidor especializado STIHL.
	3 LEDs lucen en rojo.	El cortacésped está demasiado caliente.	► Retirar la llave de seguridad. ► Sacar el acumulador. ► Dejar enfriarse el cortacésped.
	4 LEDs parpadean en rojo.	Hay una perturbación en el acumulador.	► Sacar el acumulador y volver a ponerlo. ► Conectar el cortacésped. ► Si siguen parpadeando 4 LEDs en rojo: no utilizar el acumulador y acudir a un distribuidor especializado STIHL.
		La conexión eléctrica entre el cortacésped y el acumulador está interrumpida.	► Retirar la llave de seguridad. ► Sacar el acumulador. ► Limpiar los contactos eléctricos en la cavidad para el acumulador. ► Insertar la llave de seguridad. ► Colocar el acumulador.

Perturbación	LEDs en el acumulador	Causa	Remedio
		El cortacésped o el acumulador están húmedos.	<ul style="list-style-type: none"> ▶ Retirar la llave de seguridad. ▶ Sacar el acumulador. ▶ Limpiar el cortacésped. ▶ Dejar secarse el cortacésped o el acumulador.
		La resistencia en la cuchilla es demasiado elevada.	<ul style="list-style-type: none"> ▶ Ajustar una altura de corte más elevada. ▶ Conectar el cortacésped en la hierba más baja.
El accionamiento no funciona.		Hay una perturbación en el accionamiento.	<ul style="list-style-type: none"> ▶ Sacar el acumulador y volver a ponerlo. ▶ Conectar el accionamiento. ▶ Si sigue sin funcionar el accionamiento: acudir a un distribuidor especializado STIHL.
El cortacésped se apaga durante el funcionamiento.	3 LEDs lucen en rojo.	El cortacésped está demasiado caliente.	<ul style="list-style-type: none"> ▶ Retirar la llave de seguridad. ▶ Sacar el acumulador. ▶ Dejar enfriarse el cortacésped. ▶ Limpiar el cortacésped. ▶ No conectar el cortacésped demasiadas veces en un corto lapso de tiempo. ▶ En el caso de trabajar con el accionamiento conectado: ajustar la velocidad más baja. ▶ En el caso de trabajar con el accionamiento desconectado: avanzar más lentamente hacia adelante. ▶ Ajustar una altura de corte más elevada. ▶ Segar la hierba más baja.
		La cuchilla está bloqueada.	<ul style="list-style-type: none"> ▶ Retirar la llave de seguridad. ▶ Sacar el acumulador. ▶ Limpiar el cortacésped.
		Hay una perturbación eléctrica.	<ul style="list-style-type: none"> ▶ Sacar el acumulador y volver a ponerlo. ▶ Conectar el cortacésped.

Perturbación	LEDs en el acumulador	Causa	Remedio
El tiempo de servicio del cortacésped es demasiado corto.		El acumulador no está completamente cargado.	▶ Cargar por completo el acumulador.
		Se ha sobrepasado la vida útil del acumulador.	▶ Sustituir el acumulador.
Tras colocar el acumulador en el cargador no se inicia el proceso de carga.	1 LED luce en rojo.	El acumulador está demasiado caliente o demasiado frío.	▶ Dejar colocado el acumulador en el cargador. El proceso de carga se inicia automáticamente en cuanto se ha alcanzado el margen de temperatura admisible.

22 Datos técnicos

22.1 Cortacésped STIHL RMA 460.0 V

- Acumulador admisible: STIHL AK
- Peso sin acumulador: 28 kg
- Contenido máximo del colector de hierba: 60 l
- Ancho de corte: 46 cm
- Régimen: 3200 rpm
- Régimen en modo ECO: 2800 rpm

El tiempo de funcionamiento se indica en www.stihl.com/battery-life.

22.2 Cuchillas

- Grosor: 2,5 mm
- Grosor mínimo: 2,0 mm
- Ancho: 50 mm
- Ancho mínimo: 45 mm
- Ángulo de afilado: 30°

22.3 Acumulador STIHL AK

- Tecnología del acumulador: iones de litio
- Tensión: 36 V
- Capacidad en Ah: véase el rótulo de potencia
- Contenido de energía en Wh: véase el rótulo de potencia
- Peso en kg: véase el rótulo de potencia
- Margen de temperatura admisible para usarlo y guardarlo:
 - 10 °C hasta + 50 °C

22.4 REACH

REACH designa una ordenanza CE para el registro, evaluación y homologación de productos químicos.

Para informaciones para cumplimentar la ordenanza REACH, véase www.stihl.com/reach.

23 Piezas de repuesto y accesorios

23.1 Piezas de repuesto y accesorios

STIHL® Estos símbolos caracterizan las piezas de repuesto STIHL y los accesorios originales STIHL.

STIHL recomienda emplear piezas de repuesto STIHL y accesorios originales STIHL.

Las piezas de repuesto y los accesorios originales STIHL se pueden adquirir en un distribuidor especializado STIHL.

24 Gestión de residuos

24.1 Gestionar como residuo el cortacésped y el acumulador

El distribuidor especializado STIHL le proporcionará informaciones relativas a la gestión de residuos.

- ▶ Desechar el cortacésped, la cuchilla, el acumulador, los accesorios y el embalaje de forma reglamentaria y respetuosa con el medioambiente.

Índice

1	Prefácio	60
2	Informações sobre este manual de instruções	61
2.1	Documentos aplicáveis	61
2.2	Identificação de avisos no texto	61
2.3	Símbolos no texto	61
3	Visão geral	61
3.1	Cortador de grama e bateria	61
3.2	Símbolos	62
4	Indicações de segurança	63
4.1	Símbolos de avisos	63
4.2	Utilização prevista	64
4.3	Requisitos aos usuários	64
4.4	Vestimenta e equipamentos de proteção	65
4.5	Área de trabalho e arredores	65
4.6	Situação segura de funcionamento	66
4.7	Trabalho	68
4.8	Transporte	69
4.9	Armazenagem	70
4.10	Limpeza, manutenção e consertos	71
5	Preparar o cortador de grama	72
5.1	Preparar o cortador de grama	72
6	Carregar bateria e LEDs	72
6.1	Carregar a bateria	72
6.2	Indicação do nível de carga	72
6.3	LEDs na bateria	73
7	Montar o cortador de grama	73
7.1	Montar a barra de direção	73
7.2	Engatar e desengatar o cesto coletor de grama	73
7.3	Inserir e retirar o kit moedor	73
7.4	Engatar e desengatar a guia	74
7.5	Montar e desmontar a lâmina de corte	75
8	Ajustar o cortador de grama para o usuário	75
8.1	Abrir e ajustar a barra de direção	75
8.2	Dobrar a barra de direção	76
9	Conectar e desconectar a chave de ativação	77
9.1	Inserir a chave de ativação	77
9.2	Tirar a chave de ativação	77
10	Inserir e tirar a bateria	77
10.1	Colocar a bateria	77
10.2	Tirar a bateria	78
11	Ligar e desligar o cortador de grama	78
11.1	Acionar a lâmina de corte	78
11.2	Desligar a lâmina de corte	78
12	Ligar e desligar a tração	79
12.1	Ligar a tração	79
12.2	Desligar a tração	79
13	Verificar o cortador de grama e a bateria	79
13.1	Verificar os elementos de manejo	79
13.2	Verificar a lâmina de corte	80
13.3	Verificar a bateria	80
14	Trabalhar com o cortador de grama	81
14.1	Segurar e conduzir o cortador de grama	81
14.2	Ajustar a altura de corte	81
14.3	Ligar em modo ECO	81
14.4	Cortar e moer	82
15	Após o trabalho	82
15.1	Após o trabalho	82
16	Transporte	82
16.1	Transportar o cortador de grama	82
16.2	Transportar a bateria	82
17	Armazenagem	83
17.1	Guardar o cortador de grama	83
17.2	Guardar a bateria	83
18	Limpeza	83
18.1	Posicionar o cortador de grama	83
18.2	Limpar o cortador de grama	83



Este manual de instruções de serviços está protegido por direitos autorais. Todos os direitos são reservados, especialmente o direito de reprodução, tradução e processamento em sistemas eletrônicos.

18.3 Limpar a bateria	84
19 Manutenção.....	84
19.1 Afiar e balancear a lâmina de corte	84
20 Consertos.....	84
20.1 Consertar o cortador de grama e a bateria	84
21 Solucionar distúrbios.....	85
21.1 Solucionar distúrbios no cortador de grama ou na bateria	85
22 Dados técnicos.....	88
22.1 Cortador de grama STIHL RMA 460.0 V.....	88
22.2 Lâmina de corte.....	88
22.3 Bateria STIHL AK.....	88
22.4 Instrução normativa.....	88
23 Peças de reposição e acessórios.....	88
23.1 Peças de reposição e acessórios	88
24 Descarte.....	88
24.1 Descartar o cortador de grama e a bateria	88

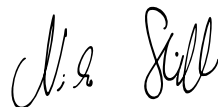
1 Prefácio

Prezado cliente,

Queremos agradecer a sua preferência pela STIHL. Nós desenvolvemos e fabricamos os nossos produtos de qualidade superior, de acordo com as necessidades de nossos clientes. Isto resulta em produtos com alta confiabilidade, mesmo em condições extremas.

A STIHL também se destaca pela excelência em serviços. Nossas Concessionárias garantem assistência técnica especializada e amplo suporte técnico.

Agradecemos a sua confiança e desejamos muita satisfação com seu produto STIHL.



Dr. Nikolas Stihl

Endereço

STIHL Ferramentas Motorizadas Ltda.
São Borja, 3000
93032-524 SÃO LEOPOLDO-RS
Serviço de Atendimento ao Consumidor (SAC):
0800 707 5001

info@stihl.com.br

www.stihl.com.br

CNPJ: 87.235.172/0001-22

**IMPORTANTE! ANTES DO USO LER E DEPOIS
GUARDAR.**

2 Informações sobre este manual de instruções

2.1 Documentos aplicáveis

Observar os regulamentos de segurança locais vigentes.

- ▶ Além desse manual de instruções, ler, entender e guardar os seguintes documentos:
 - Instruções de segurança para baterias STIHL AK
 - Manual de instruções dos carregadores STIHL AL 101, 300, 500
 - Informações sobre segurança para baterias STIHL e produtos com bateria integrada: www.stihl.com/safety-data-sheets

2.2 Identificação de avisos no texto

PERIGO

O aviso indica perigos, que resultam em ferimentos graves ou morte.

- ▶ As medidas mencionadas podem evitar lesões graves ou morte.

ATENÇÃO

O aviso indica perigos, que **podem** resultar em ferimentos graves ou morte.

- ▶ As medidas mencionadas podem evitar lesões graves ou morte.

AVISO

O aviso indica perigos, que podem levar a danos materiais.

- ▶ As medidas mencionadas podem evitar danos materiais.

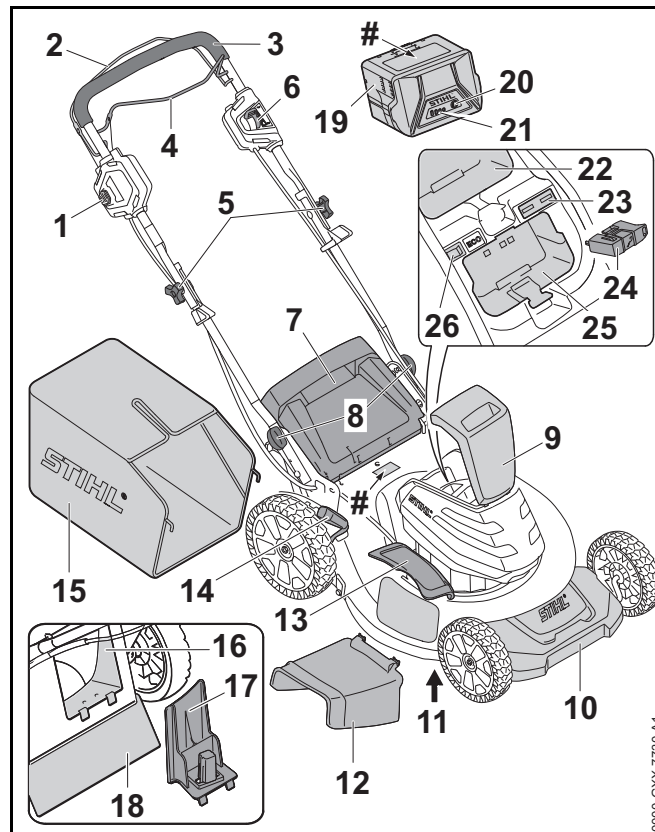
2.3 Símbolos no texto



Este símbolo refere-se a um capítulo deste manual de instruções.

3 Visão geral

3.1 Cortador de grama e bateria



1 Botão de bloqueio

O botão de bloqueio, junto com a haste de comando de corte, liga e desliga o cortador de grama.

2 Haste de comando de corte

A haste de comando de corte, junto com o botão de bloqueio, liga e desliga o cortador de grama.

3 Barra de direção

A barra de direção serve para segurar, conduzir e transportar o cortador de grama.

4 Haste de comando de tração

A haste de comando de tração liga e desliga a tração.

5 Botão de regulagem

O botão de regulagem fixa a parte superior da barra de direção sobre a parte inferior da barra de direção.

6 Alavanca

A alavanca serve para regular a velocidade da tração.

7 Aba de saída

A aba de saída fecha o canal de saída.

8 Alavanca

O botão do cabo trava a regulagem da barra de direção.

9 Aba

A aba cobre a bateria, o interruptor ECO e a chave de segurança e protege contra sujeiras.

10 Cobertura

A cobertura cobre e serve para transportar o cortador de grama.

11 Lâmina de corte

A lâmina de corte corta e moe a grama.

12 Guia

A guia conduz a grama cortada ao chão.

13 Aba de saída lateral

A aba de saída lateral fecha o canal de saída lateral.

14 Alavanca

A alavanca serve para ajustar a altura do corte.

15 Cesto coletor de grama

O cesto coletor de grama recolhe a grama cortada.

16 Canal de saída

O canal de saída guia a grama cortada para dentro do cesto coletor de grama.

17 Kit moedor

O kit moedor fecha o canal de saída.

18 Proteção

A proteção protege o operador de objetos que podem ser arremessados e do contato com a lâmina de corte.

19 Bateria

A bateria alimenta o cortador de grama com energia.

20 Botão de pressão

O botão de pressão ativa os LEDs na bateria.

21 LEDs

Os LEDs indicam a carga da bateria e possíveis falhas.

22 Compartimento da bateria

O compartimento da bateria armazena uma bateria de reposição.

23 Conector da chave

O conector da chave aloja a chave de segurança.

24 Chave de segurança

A chave de segurança ativa o cortador de grama.

25 Compartimento da bateria

O compartimento armazena a bateria.

26 Interruptor ECO

O interruptor ECO liga e desliga o modo ECO.

Plaqueta de identificação com número da máquina**3.2 Símbolos**

Estes símbolos podem constar sobre o cortador de grama e a bateria e significam o seguinte:



Este símbolo representa a chave de segurança.



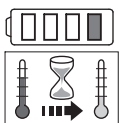
Este símbolo representa o conector da chave.



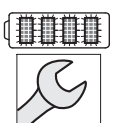
Este símbolo representa o interruptor ECO.



Este símbolo mostra o peso do cortador de grama.



1 LED vermelho aceso. A bateria está muito quente ou muito fria.



4 LEDs vermelhos piscando. Existe uma falha na bateria.



O LED verde está aceso e os LEDs verdes na bateria estão acesos ou piscando. A bateria é carregada.



LED vermelho piscando. Sem contato elétrico entre o carregador e a bateria ou existe uma falha no carregador ou na bateria.



LWA Nível de potência sonora garantido conforme Instrução Normativa 2000/14/EG em dB(A), para tornar as emissões sonoras de produtos comparáveis.



A indicação ao lado do símbolo indica o teor de energia da bateria, de acordo com a especificação do fabricante de células. O teor de energia disponível para utilização é menor.



Não eliminar o produto com o lixo doméstico.



O cortador de grama anda nesta posição com a maior velocidade.



O cortador de grama anda nesta posição com a menor velocidade.

4 Indicações de segurança

4.1 Símbolos de avisos

Os símbolos de avisos colocados sobre o cortador de grama e a bateria significam o seguinte:



Observar as instruções de segurança e suas ações.



Ler, entender e guardar o manual de instruções.



Utilizar óculos de proteção.



Observar as instruções de segurança sobre objetos que podem ser arremessados e suas ações.



Não encostar na lâmina de corte em rotação.



Tirar a bateria durante pausas no trabalho, transporte, armazenagem, manutenção ou consertos.



Retirar a chave de segurança durante pausas no trabalho, transporte, armazenagem, manutenção ou consertos.



Manter uma distância segura.



Proteger a bateria do calor e de fogo.



Proteger o cortador de grama e bateria de chuva e umidade e não mergulhá-la em líquidos.



Manter a faixa de temperatura permitida para a bateria.

4.2 Utilização prevista

O cortador de grama STIHL RMA 460 V serve para cortar e moer a grama seca.

O cortador de grama não deve ser utilizado na chuva.

O cortador de grama é alimentado por uma bateria STIHL AK.

⚠ ATENÇÃO

- Baterias que não foram liberadas pela STIHL para o cortador de grama, podem causar incêndios e explosões. Pessoas podem sofrer ferimentos graves ou fatais e pode haver danos materiais.
 - ▶ Usar o cortador de grama com uma bateria STIHL AK.
- Se o cortador de grama ou a bateria não forem utilizados conforme especificado, os usuários podem sofrer ferimentos graves ou fatais e podem ocorrer danos materiais.
 - ▶ Usar o cortador de grama e a bateria, conforme descrito neste manual de instruções.

4.3 Requisitos aos usuários

⚠ ATENÇÃO

- Usuários que não foram instruídos podem não reconhecer ou não avaliar corretamente os perigos do cortador de grama e da bateria. O usuário ou outras pessoas podem sofrer ferimentos graves ou fatais.



- ▶ Ler, entender e guardar o manual de instruções.

- ▶ Se o cortador de grama ou a bateria são passados para outra pessoa: entregar o manual de instruções junto.
- ▶ Certificar-se de que o usuário atenda aos seguintes requisitos:
 - Que ele esteja descansado.
 - Que ele tenha capacidade física, sensorial e mental para manusear e trabalhar com o cortador de grama e a bateria. Se o usuário tiver capacidades físicas, sensoriais ou mentais reduzidas, ou não tiver

experiência e conhecimento, ele só deve utilizar o equipamento sob supervisão de uma pessoa responsável pela sua segurança.

- O usuário pode reconhecer e avaliar os perigos do cortador de grama e da bateria.
 - O usuário é maior de idade ou o usuário está sendo treinado, conforme as leis trabalhistas nacionais, sob a supervisão de um profissional.
 - Que ele tenha recebido instruções de um técnico em um Ponto de Vendas STIHL, antes de utilizar pela primeira vez o cortador de grama.
 - Que ele não esteja sob efeito de álcool, drogas ou medicamentos.
- ▶ Em caso de dúvidas: consultar um Ponto de Vendas STIHL.

4.4 Vestimenta e equipamentos de proteção

⚠ ATENÇÃO

- Durante o trabalho, objetos podem ser lançados em alta velocidade. O usuário pode sofrer ferimentos.



- ▶ Usar óculos de proteção firmes. Os óculos de proteção adequados são testados conforme a norma EN 166 ou de acordo com os regulamentos nacionais e podem ser adquiridos no mercado com a respectiva identificação.

- ▶ Usar calças compridas feitas de material resistente.
- Durante o trabalho pode haver formação de poeira, que pode prejudicar o sistema respiratório e causar reações alérgicas.
 - ▶ Usar uma máscara de proteção contra poeira.
- Roupas não apropriadas podem se enroscar na madeira, em arbustos e no cortador de grama. Usuários sem a vestimenta adequada podem sofrer lesões graves.
 - ▶ Usar roupas justas.
 - ▶ Tirar lenços e acessórios.

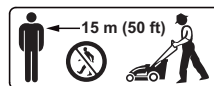
- Durante o trabalho, o usuário pode entrar em contato com a lâmina de corte em movimento. Ele pode ser gravemente ferido.
 - ▶ Usar calçados feitos de material resistente.
 - ▶ Usar calças compridas feitas de material resistente.
- Durante a limpeza, manutenção ou transporte o usuário pode entrar em contato com a lâmina de corte. O usuário pode sofrer ferimentos.
 - ▶ Usar luvas de proteção feitas de material resistente.
- Se o usuário usar calçados inadequados, ele pode escorregar e sofrer ferimentos.
 - ▶ Usar sapatos firmes com sola antiderrapante.

4.5 Área de trabalho e arredores

4.5.1 Cortador de grama

⚠ ATENÇÃO

- Outras pessoas, crianças e animais podem não conseguir perceber e prever os perigos do cortador de grama e de objetos arremessados pelo mesmo e podem sofrer ferimentos graves. Outras pessoas, crianças e animais podem sofrer ferimentos graves e podem ocorrer danos materiais.



- ▶ Manter outras pessoas, crianças e animais afastados da zona de trabalho em um raio de 15 metros.
- ▶ Manter uma distância de 15 metros de outros objetos.
- ▶ Não deixar o cortador de grama sem vigilância.
- ▶ Certificar-se de que as crianças não brinquem com o cortador de grama.
- O cortador de grama não é à prova de água. Se ele for utilizado na chuva ou em ambientes muito úmidos, há risco de choque elétrico. O usuário pode sofrer ferimentos e o cortador de grama pode ser danificado.



- ▶ Não usar a máquina na chuva ou em ambientes úmidos.

▶ Não cortar nem moer grama molhada.

- Componentes elétricos do cortador de grama podem gerar faíscas. As faíscas podem causar fogo e explosões em ambientes altamente inflamáveis ou explosivos. Pessoas podem sofrer ferimentos graves ou fatais e pode haver danos materiais.
 - ▶ Não trabalhar em ambientes facilmente inflamáveis ou explosivos.

4.5.2 Bateria

⚠ ATENÇÃO

- Outras pessoas, crianças e animais podem não conseguir perceber e prever os perigos da bateria. Outras pessoas, crianças e animais podem sofrer ferimentos graves.
 - ▶ Manter outras pessoas, crianças e animais afastados da área de trabalho.
 - ▶ Não deixar a bateria sem vigilância.
 - ▶ Certificar-se de que as crianças não brinquem com a bateria.
- A bateria não está protegida contra todos os agentes externos. Se a bateria for exposta a determinadas condições ambientais adversas, ela pode pegar fogo ou explodir. Pessoas podem sofrer ferimentos graves ou fatais e pode haver danos materiais.



- ▶ Proteger a bateria do calor e de fogo.
- ▶ Não jogar a bateria no fogo.



- ▶ Usar e guardar a bateria numa faixa de temperatura entre -10 °C e + 50 °C.



- ▶ Proteger a bateria de chuva e umidade e não mergulhá-la em líquidos.

▶ Manter a bateria longe de objetos metálicos.

▶ Não expor a bateria à alta pressão.

▶ Não expor a bateria a microondas.

▶ Proteger a bateria contra produtos químicos e sais.

4.6 Situação segura de funcionamento

4.6.1 Cortador de grama

O cortador de grama está em condições seguras, se forem atendidos os seguintes requisitos:



- o cortador de grama não está danificado
- o cortador de grama está limpo e seco
- os elementos de manejo estão funcionando e não foram alterados
- se for cortada grama e ela tiver que ser coletada no cesto coletor de grama: o kit moedor deve ser retirado, a guia deve ser desengatada e o cesto coletor de grama deve ser engatado corretamente
- se for cortada grama e ela tiver que ser conduzida para o lado no chão: o cesto coletor de grama deve estar desengatado, o kit moedor deve estar inserido corretamente e a guia deve estar engatada corretamente
- se for moído: a guia e o cesto coletor de grama devem estar desengatados e o kit moedor deve estar inserido corretamente
- a lâmina de corte está montada corretamente
- a proteção está montada corretamente
- foram montadas somente peças de reposição STIHL no cortador de grama
- os acessórios foram montados corretamente

▲ ATENÇÃO

- Em condições não seguras, alguns componentes podem não funcionar corretamente e dispositivos de segurança podem ser desativados. As pessoas podem sofrer ferimentos graves ou fatais.
 - ▶ Não trabalhar com um cortador de grama danificado.
 - ▶ Se o cortador de grama estiver sujo ou molhado: limpar o cortador de grama e deixá-lo secar.
 - ▶ Não modificar o cortador de grama.
 - ▶ Se os elementos de manejo não estiverem funcionando: não trabalhar com o cortador de grama.
 - ▶ Se for cortada grama e ela tiver que ser coletada no cesto coletor: retirar o kit moedor, desengatar a guia e engatar o cesto coletor, conforme descrito neste manual de instruções.
 - ▶ Se for cortada grama e ela tiver que ser conduzida para o lado no chão: desengatar o cesto coletor de grama, inserir o kit moedor e engatar a guia, conforme descrito neste manual de instruções.
 - ▶ Se for moído: desengatar a guia e o cesto coletor de grama e inserir o kit moedor, conforme descrito neste manual de instruções.
 - ▶ Montar somente acessórios originais STIHL nesse cortador de grama.
 - ▶ Montar a lâmina de corte, conforme descrito neste manual de instruções.
 - ▶ Montar os acessórios, conforme descrito neste manual de instruções ou no manual de instruções do acessório.
 - ▶ Não inserir objetos nas aberturas do cortador de grama.
 - ▶ Não conectar objetos metálicos no conector da chave.
 - ▶ Em caso de dúvidas: consultar um Ponto de Vendas STIHL.

4.6.2 Lâmina de corte

A lâmina de corte está em condições seguras, se forem atendidos os seguintes requisitos:

- A lâmina de corte e as peças montadas fixas não estão danificadas.
- A lâmina de corte não está deformada.
- A lâmina de corte foi montada corretamente.
- A lâmina de corte está afiada corretamente.
- A lâmina de corte está sem fio.
- A lâmina de corte está balanceada corretamente.
- A espessura mínima e a largura mínima da lâmina de corte não foi alcançada,  22.2.
- O ângulo de afiação é mantido,  22.2.

▲ ATENÇÃO

- Em condições não seguras, algumas peças da lâmina de corte podem se soltar e serem lançadas. As pessoas podem sofrer ferimentos graves
 - ▶ Trabalhar com uma lâmina de corte e com peças montadas fixas sem danos.
 - ▶ Afiar a lâmina de corte corretamente.
 - ▶ Se a espessura mínima ou a largura mínima não for alcançada: substituir a lâmina de corte.
 - ▶ Deixar que as lâminas de corte sejam balanceadas em um Ponto de Vendas STIHL.
 - ▶ Se houver dúvidas: consultar um Ponto de Vendas STIHL.

4.6.3 Bateria

A bateria está em condições seguras, se forem atendidos os seguintes requisitos:

- ela não está danificada
- ela está limpa e seca
- ela está funcionando corretamente e não foi modificada

▲ ATENÇÃO

- Em condições não seguras, a bateria não pode funcionar com segurança. As pessoas podem sofrer ferimentos graves.
 - ▶ Trabalhar com uma bateria sem danos e que esteja funcionando corretamente.
 - ▶ Não carregar uma bateria danificada ou com defeito.
 - ▶ Se a bateria estiver suja ou molhada: limpar a bateria e deixá-la secar.
 - ▶ Não modificar a bateria.
 - ▶ Não inserir objetos nas fendas da bateria.
 - ▶ Não conectar contatos elétricos da bateria com objetos metálicos.
 - ▶ Não abrir a bateria.
- Quando uma bateria estiver danificada, pode haver vazamento de um líquido. Se esse líquido entrar em contato com a pele ou com os olhos, ele pode causar irritação.
 - ▶ Evitar contato com o líquido.
 - ▶ Se ocorrer contato com a pele: lavar a parte afetada com bastante água e sabão.
 - ▶ Se ocorrer contato com os olhos: lavá-los pelo menos por 15 minutos com bastante água e consultar um médico.
- Uma bateria danificada ou com defeito pode ter cheiro incomum, emitir fumaça ou queimar. As pessoas podem sofrer ferimentos graves ou fatais e podem ocorrer danos materiais.
 - ▶ Se a bateria exalar um odor diferente ou estiver emitindo fumaça: não usar a bateria e mantê-la afastada de materiais inflamáveis.
 - ▶ Se a bateria estiver em chamas: tentar apagar o fogo com um extintor de incêndio ou com água.

4.7 Trabalho

▲ ATENÇÃO

- Em determinadas situações, o usuário não consegue mais trabalhar concentrado. O usuário pode tropeçar, cair e sofrer ferimentos graves.
 - ▶ Trabalhar com calma e concentração.
 - ▶ Se as condições de iluminação e visibilidade não forem boas: não trabalhar com o cortador de grama.
 - ▶ Operar o cortador de grama sozinho.
 - ▶ Cuidar com obstáculos.
 - ▶ Trabalhar de pé no chão e manter o equilíbrio.
 - ▶ Se houver sinais de cansaço: fazer pausas no trabalho.
 - ▶ Se for cortar em uma encosta: cortar na transversal.
 - ▶ Não cortar em terrenos irregulares.
- A lâmina de corte em rotação pode cortar o usuário. O usuário pode ser gravemente ferido.



- ▶ Não encostar na lâmina de corte em rotação.
- ▶ Quando a lâmina de corte estiver bloqueada por um objeto: desligar o cortador de grama, tirar a chave de segurança e a bateria. Somente então retirar o objeto.

- Em um trabalho sem a tração acionada, a tração pode ser acionada involuntariamente e o cortador de grama pode ter a sua velocidade alterada. Pessoas podem sofrer ferimentos graves e pode haver danos materiais.
 - ▶ Só pressionar a alavanca de acionamento de tração, em caso de sua utilização.
- Se o cortador de grama apresentar um comportamento alterado ou anormal durante o trabalho, ele pode estar operando em condições inseguras. Pessoas podem sofrer ferimentos graves e pode haver danos materiais.
 - ▶ Interromper o trabalho, retirar a chave de segurança, retirar a bateria e procurar um Ponto de Vendas STIHL.
- Durante o trabalho podem ocorrer vibrações no cortador de grama.
 - ▶ Usar luvas de proteção.
 - ▶ Fazer pausas no trabalho.
 - ▶ Se ocorrerem sinais de problemas circulatórios: consultar um médico.
- Após soltar a alavanca de acionamento de corte, a ferramenta de corte pode continuar se movimentando por algum tempo. As pessoas podem sofrer ferimentos graves.
 - ▶ Aguardar até que a lâmina de corte esteja parada.
- Se a lâmina de corte em movimento entrar em contato com um objeto duro, podem ser geradas faíscas. As faíscas podem causar fogo em um ambiente altamente inflamável. Pessoas podem sofrer ferimentos graves ou fatais e pode haver danos materiais.
 - ▶ Não trabalhar em um ambiente altamente inflamável.

⚠ PERIGO

- Se o trabalho for realizado em torno de cabos e fios condutores de eletricidade, a lâmina de corte pode entrar em contato com estes cabos ou fios. O usuário pode sofrer ferimentos graves ou fatais.
 - ▶ Não trabalhar em áreas com fios condutores de eletricidade.
- Se o trabalho for realizado durante um temporal, o usuário pode ser atingido por um raio. O usuário pode sofrer ferimentos graves ou fatais.
 - ▶ Se tiver temporal: não trabalhar.

4.8 Transporte

4.8.1 Cortador de grama

⚠ ATENÇÃO

- Durante o transporte, o cortador de grama pode cair ou se movimentar. As pessoas podem sofrer ferimentos e pode haver danos materiais.



- ▶ Retirar a chave de segurança.



- ▶ Tirar a bateria.

- ▶ Fixar o cortador de grama com cordas ou cintas, de modo que ele não possa cair ou se deslocar.
- Se durante o transporte com tração não acionada a chave de segurança e a bateria estiverem inseridas na máquina, a tração pode ser acionada involuntariamente e o cortador de grama pode entrar em movimento. Pessoas podem sofrer ferimentos graves e pode haver danos materiais.



- ▶ Retirar a chave de segurança.



- ▶ Tirar a bateria.

- O cortador de grama é pesado. Se o usuário carregar o cortador de grama sozinho, ele pode se lesionar.
 - ▶ O cortador de grama deve ser carregado por duas pessoas.

4.8.2 Bateria

⚠ ATENÇÃO

- A bateria não está protegida contra todos os agentes externos. Se a bateria for exposta a determinadas condições ambientais adversas, ela pode ser danificada e pode haver danos materiais.
 - ▶ Não transportar uma bateria danificada.
 - ▶ Transportar a bateria numa embalagem que não seja condutora de eletricidade.
- Durante o transporte a bateria pode cair ou se mover. As pessoas podem sofrer ferimentos e pode haver danos materiais.
 - ▶ Acondicionar a bateria na embalagem, de forma que ela não possa se mover.
 - ▶ Fixar a embalagem de tal forma, que ele não possa se mover.

4.9 Armazenagem

4.9.1 Cortador de grama

⚠ ATENÇÃO

- Crianças não conseguem perceber e prever os perigos do cortador de grama. As crianças podem sofrer ferimentos graves.



- ▶ Tirar a chave de ativação.



- ▶ Tirar a bateria.

- ▶ Guardar o cortador de grama fora do alcance de crianças.

- Os contatos elétricos e componentes metálicos do cortador de grama podem sofrer corrosão, em função da umidade. O cortador de grama pode ser danificado.



- ▶ Tirar a chave de ativação.



- ▶ Tirar a bateria.

- ▶ Guardar o cortador de grama limpo e seco.

- Se durante a armazenagem a chave de segurança e a bateria estiverem inseridas na máquina, a tração pode ser acionada involuntariamente e o cortador de grama pode entrar em movimento. Pessoas podem sofrer ferimentos graves e pode haver danos materiais.



- ▶ Tirar a chave de ativação.



- ▶ Tirar a bateria.

4.9.2 Bateria

⚠ ATENÇÃO

- Crianças não percebem e não conseguem avaliar os perigos do cortador de grama e elas podem sofrer ferimentos graves.
 - ▶ Guardar a bateria fora do alcance de crianças.
- A bateria não está protegida contra todos os agentes externos. Se a bateria for exposta a determinadas condições ambientais adversas, ela pode ser danificada.
 - ▶ Guardar a bateria limpa e seca.
 - ▶ Guardar a bateria em um local fechado.
 - ▶ Guardar a bateria separadamente do cortador de grama e do carregador.
 - ▶ Guardar a bateria em uma embalagem que não seja condutora de eletricidade.
 - ▶ Guardar a bateria em uma temperatura entre - 10 °C e + 50 °C.

4.10 Limpeza, manutenção e consertos

⚠ ATENÇÃO

- Se durante a limpeza, manutenção ou conserto a chave de segurança e a bateria estiverem inseridas na máquina, o cortador de grama pode ser acionado involuntariamente. Pessoas podem sofrer ferimentos graves e pode haver danos materiais.



- ▶ Tirar a chave de ativação.



- ▶ Tirar a bateria.

- Se durante a limpeza, manutenção e conserto a chave de segurança e a bateria estiverem inseridas na máquina, a tração pode ser acionada involuntariamente e o cortador de grama pode entrar em movimento. Pessoas podem sofrer ferimentos graves e pode haver danos materiais.



- ▶ Tirar a chave de ativação.



- ▶ Tirar a bateria.

- Produtos de limpeza abrasivos, limpeza com jato de água ou com objetos cortantes podem danificar o cortador de grama, a lâmina de corte e a bateria. Se o cortador de grama, a lâmina de corte e a bateria não forem limpos corretamente, alguns componentes podem não funcionar corretamente e dispositivos de segurança podem ser desativados. As pessoas podem sofrer ferimentos graves.
 - ▶ Limpar o cortador de grama, a lâmina de corte e a bateria, conforme descrito neste manual de instruções.
- Se o cortador de grama, a lâmina de corte ou a bateria não receberem manutenção adequada ou não forem consertados corretamente, alguns componentes podem não funcionar mais corretamente e dispositivos de segurança podem ser desativados. Pessoas podem sofrer ferimentos graves ou fatais.
 - ▶ Não fazer manutenção ou consertar o cortador de grama e a bateria por conta própria.
 - ▶ Se o cortador de grama ou a bateria precisarem de manutenção ou conserto: procurar um Ponto de Vendas STIHL.
 - ▶ Fazer a manutenção das lâminas de corte, conforme descrito neste manual de instruções.
- Durante a limpeza, manutenção ou conserto das lâminas de corte, o usuário pode se cortar nos dentes afiados da corrente. O usuário pode sofrer ferimentos.
 - ▶ Usar luvas de proteção feitas com material resistente.

5 Preparar o cortador de grama

5.1 Preparar o cortador de grama

Antes de iniciar o trabalho, sempre realizar as seguintes etapas:

- ▶ Certificar-se de que os seguintes componentes estão em condições seguras de uso:
 - Cortador de grama, 4.6.1.
 - Lâmina de corte, 4.6.2.
 - Bateria, 4.6.3.
- ▶ Verificar a bateria, 13.3.
- ▶ Carregar a bateria totalmente, 6.1.
- ▶ Limpar o cortador de grama, 18.2.
- ▶ Verificar a lâmina de corte, 13.2.
- ▶ Montar a barra de direção, 7.1.
- ▶ Abrir e ajustar a barra de direção, 8.1.
- ▶ Se for cortada grama e ela for coletada no cesto coletor de grama:
 - ▶ Desengatar a guia, 7.3.2.
 - ▶ Retirar o kit moedor, 7.3.2.
 - ▶ Engatar o cesto coletor de grama, 7.2.1.
- ▶ Se for cortada grama e ela tiver que ser conduzida para o lado no chão:
 - ▶ Retirar o kit moedor, 7.3.2.
 - ▶ Desengatar o cesto coletor de grama, 7.2.2.
 - ▶ Engatar a guia, 7.4.1.
- ▶ Se tiver que ser moído:
 - ▶ Desengatar a guia, 7.4.2.
 - ▶ Desengatar o cesto coletor de grama, 7.2.2.
 - ▶ Engatar o kit moedor, 7.3.1.
- ▶ Ajustar a altura de corte, 14.2.
- ▶ Verificar elementos de manejo, 13.1.

- ▶ Se durante a verificação dos elementos de manejo 3 LEDs vermelhos estiverem piscando: tirar a chave de segurança, retirar a bateria e procurar um Ponto de Vendas STIHL.
Existe um distúrbio no cortador de grama.
- ▶ Se as etapas não puderem ser realizadas: não usar o cortador de grama e procurar um Ponto de Vendas STIHL.

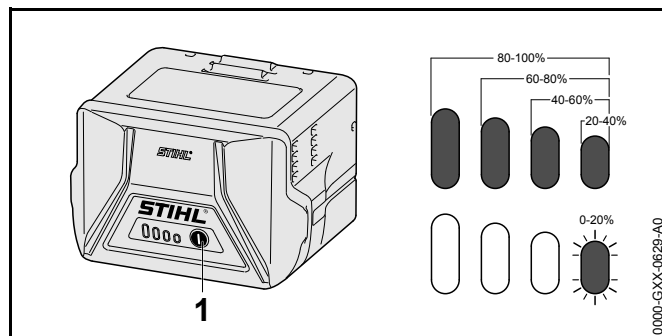
6 Carregar bateria e LEDs

6.1 Carregar a bateria

O tempo de carga depende de vários fatores, como a temperatura da bateria ou do ambiente. O tempo de carga real pode ser diferente do tempo de carga especificado. O tempo de carga é especificado em www.stihl.com/charging-times.

- ▶ Carregar a bateria, conforme descrito no manual de instruções do carregador STIHL AL 101, 300, 500.

6.2 Indicação do nível de carga



- ▶ Pressionar o botão (1).
Os LEDs verdes acendem por aproximadamente 5 segundos e mostram o nível de carga.
- ▶ Se o LED verde, direito estiver piscando: carregar a bateria.

6.3 LEDs na bateria

Os LEDs podem indicar a carga da bateria ou possíveis distúrbios. Os LEDs podem estar acesos ou piscando na cor verde ou vermelha.

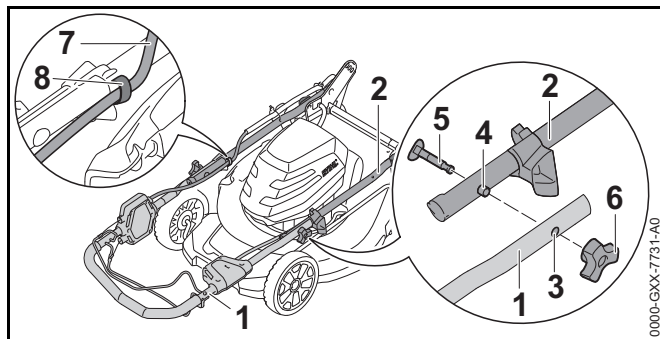
Se os LEDs verdes estiverem acesos ou piscando, é indicado o estado da carga da bateria.

- ▶ Se os LEDs vermelhos estiverem acesos ou piscando: solucionar distúrbios, 21.1. Existe um distúrbio no cortador de grama ou na bateria.

7 Montar o cortador de grama

7.1 Montar a barra de direção

- ▶ Desligar o cortador de grama, tirar a chave de segurança e retirar a bateria.
- ▶ Colocar o cortador de grama sobre uma superfície plana.



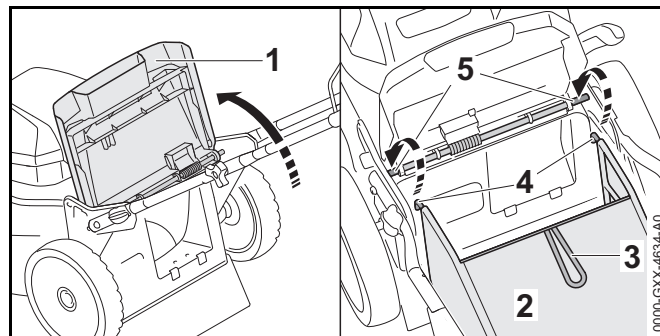
- ▶ Montar a parte superior da barra de direção (1) e a parte inferior da barra de direção (2), para que em ambos os lados o pino (4) se encaixe no furo (3).
- ▶ Colocar o parafuso (5) de tal forma que em ambos os lados a cabeça do parafuso esteja ajustada precisamente na parte inferior da barra de direção (2).
- ▶ Soltar o botão de regulagem (6).
- ▶ Pressionar o cabo (7) no suporte (8).

A barra de direção não precisa ser desmontada novamente.

7.2 Engatar e desengatar o cesto coletor de grama

7.2.1 Engatar o cesto coletor de grama

- ▶ Desligar o cortador de grama, tirar a chave de segurança e retirar a bateria.
- ▶ Colocar o cortador de grama sobre uma superfície plana.
- ▶ Caso a guia esteja engatada: desengatar a guia.
- ▶ Caso o kit moedor esteja inserido: retirar o kit moedor.



- ▶ Abrir e segurar a aba de saída (1).
- ▶ Segurar o cesto coletor de grama (2) no pegador (3) e engatar os ganchos (4) no eixo (5).
- ▶ Deitar a aba de saída (1) em cima do cesto coletor de grama (2).

7.2.2 Desengatar o cesto coletor de grama

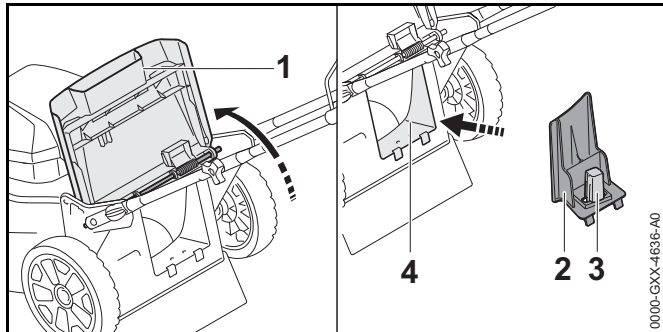
- ▶ Desligar o cortador de grama, tirar a chave de segurança e retirar a bateria.
- ▶ Colocar o cortador de grama sobre uma superfície plana.
- ▶ Abrir e segurar a aba de saída.
- ▶ Retirar o cesto coletor de grama, levantando o pegador.
- ▶ Fechar a aba de saída.

7.3 Inserir e retirar o kit moedor

7.3.1 Inserir o kit moedor

- ▶ Desligar o cortador de grama, tirar a chave de segurança e retirar a bateria.

- ▶ Colocar o cortador de grama sobre uma superfície plana.



- ▶ Abrir e segurar a aba de saída (1).
- ▶ Segurar o kit moedor (2) no pegador (3) e engatar no canal de saída (4).
- ▶ Fechar a aba de saída (1).

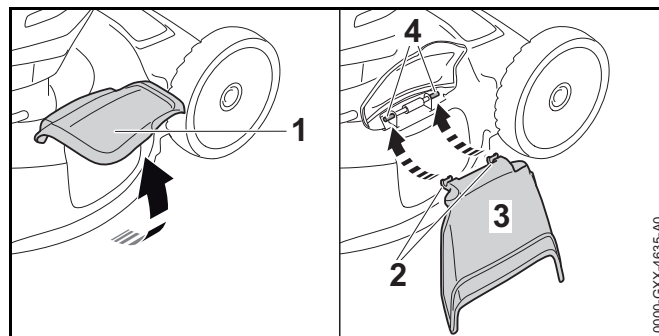
7.3.2 Retirar o kit moedor

- ▶ Desligar o cortador de grama, tirar a chave de segurança e retirar a bateria.
- ▶ Colocar o cortador de grama sobre uma superfície plana.
- ▶ Abrir e segurar a aba de saída.
- ▶ Retirar o kit moedor.
- ▶ Fechar a aba de saída.

7.4 Engatar e desengatar a guia

7.4.1 Engatar a guia

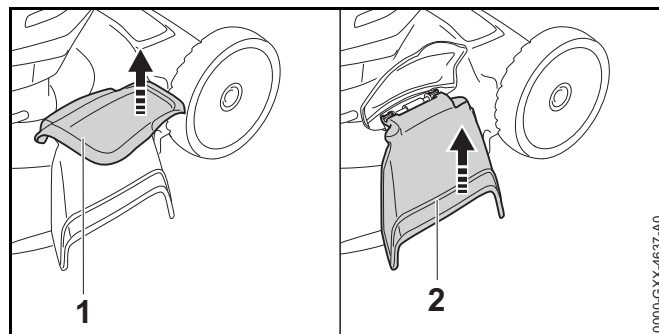
- ▶ Desligar o cortador de grama, tirar a chave de segurança e retirar a bateria.
- ▶ Colocar o cortador de grama sobre uma superfície plana.



- ▶ Abrir e segurar a aba de saída lateral (1).
- ▶ Engatar os ganchos (2) por baixo no eixo (4).
- ▶ Deitar a aba de saída lateral (1) sobre a guia (3).

7.4.2 Desengatar a guia

- ▶ Desligar o cortador de grama, tirar a chave de segurança e retirar a bateria.
- ▶ Colocar o cortador de grama sobre uma superfície plana.

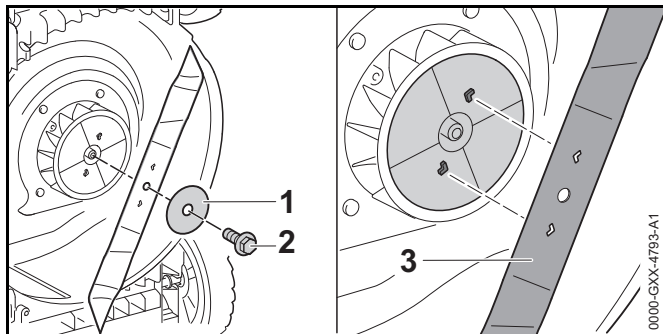


- ▶ Abrir e segurar a aba de saída lateral (1).
- ▶ Levantar a guia (2) e retirá-la.
- ▶ Fechar a aba de saída lateral (1).

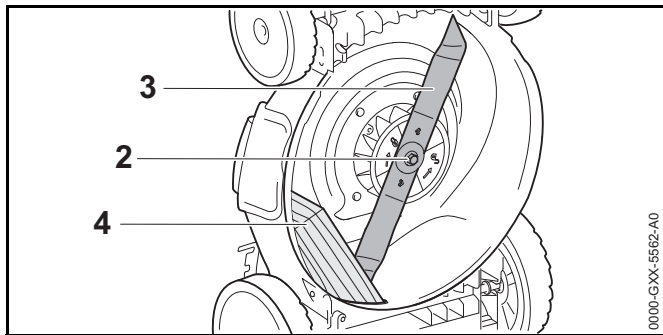
7.5 Montar e desmontar a lâmina de corte

7.5.1 Montar a lâmina de corte

- ▶ Desligar o cortador de grama, tirar a chave de segurança e retirar a bateria.
- ▶ Posicionar o cortador de grama.



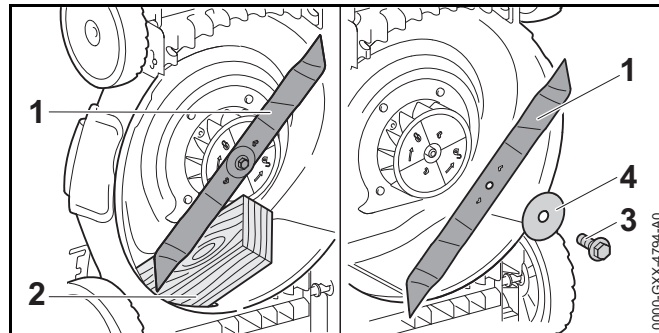
- ▶ Colocar a arruela (1) sobre o parafuso (2).
- ▶ Lubrificar o parafuso (2) com Loctite 243 ou Loctite 242.
- ▶ Posicionar a lâmina de corte (3), de forma que as saliências na superfície de apoio (4) encaixem nos rebaixos da lâmina de corte (3).



- ▶ Colocar o parafuso (2) junto com a arruela (1).
- ▶ Bloquear a lâmina (3) com um calço de madeira (4).
- ▶ Apertar o parafuso (2).

7.5.2 Desmontar a lâmina de corte

- ▶ Desligar o cortador de grama, tirar a chave de segurança e retirar a bateria.
- ▶ Posicionar o cortador de grama

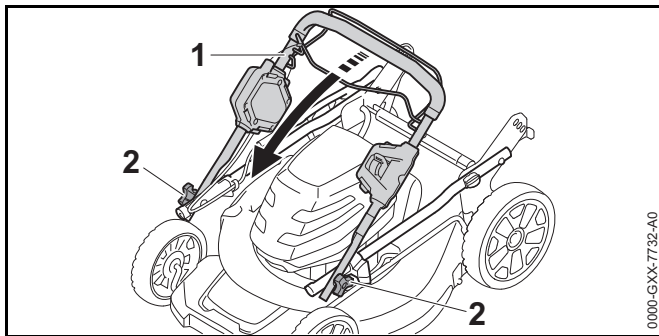


- ▶ Bloquear a lâmina (1) com um calço de madeira (2).
- ▶ Retirar o parafuso (3).
- ▶ Retirar a arruela (4).
- ▶ Retirar a lâmina de corte (1).

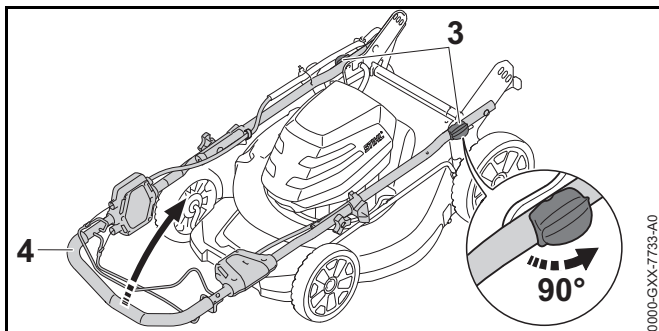
8 Ajustar o cortador de grama para o usuário

8.1 Abrir e ajustar a barra de direção

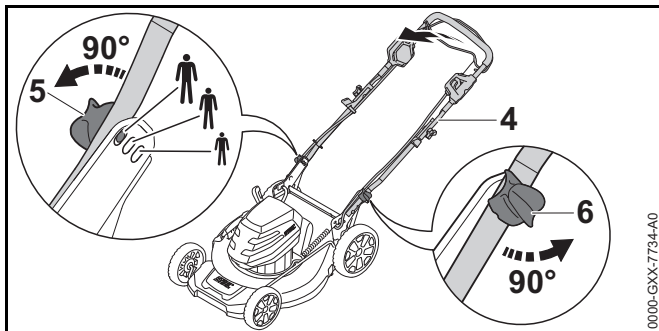
- ▶ Desligar o cortador de grama, tirar a chave de segurança e retirar a bateria.
- ▶ Colocar o cortador de grama sobre uma superfície plana.



- ▶ Abrir a barra de direção superior (1).
- ▶ Apertar os botões de regulagem (2).



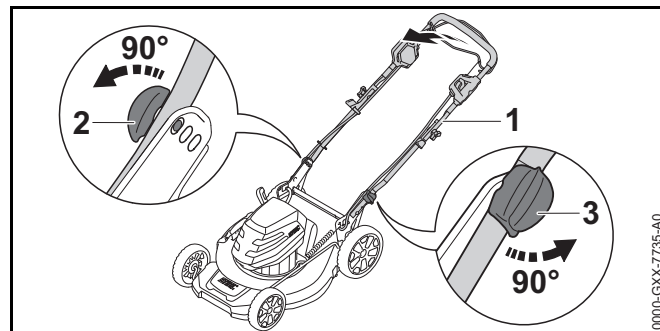
- ▶ Girar a alavanca (3) em 90°.
- ▶ Abrir completamente a barra de direção (4).



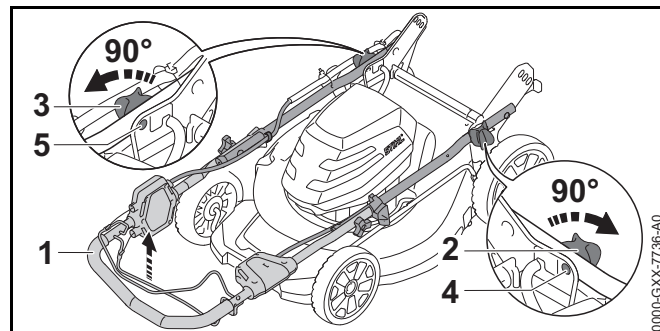
- ▶ Posicionar a barra de direção (4), de forma que os pinos da alavanca (5 e 6) fiquem alinhados nas posições desejadas.
- ▶ Girar a alavanca (5 e 6) em 90°.
Os pinos da alavanca (5 e 6) engatam nos furos na mesma altura.

8.2 Dobrar a barra de direção

- ▶ Desligar o cortador de grama, tirar a chave de segurança e retirar a bateria.
- ▶ Colocar o cortador de grama sobre uma superfície plana.

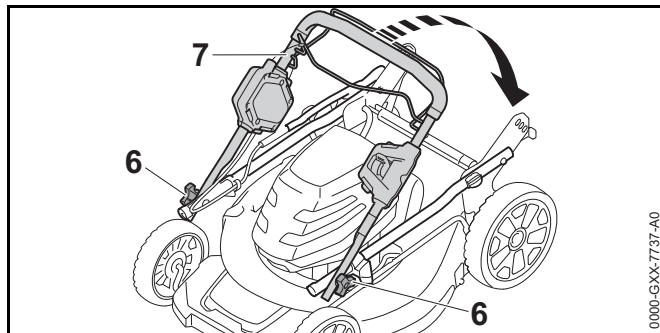


- ▶ Segurar a barra de direção (1) e girar o botão do cabo (2) em 90°.
- ▶ Girar o botão do cabo (3) em 90°.
- ▶ Dobrar a barra de direção (1).



- ▶ Girar os dois botões do cabo (2 e 3) em 90°.

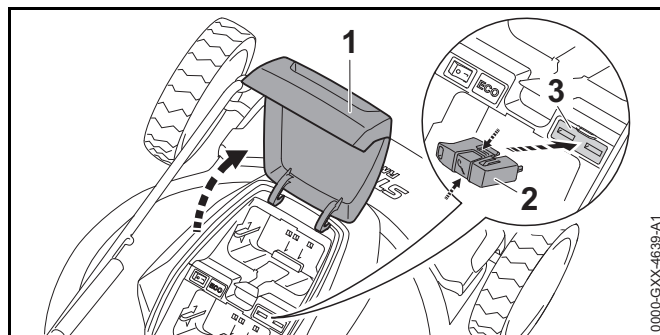
- ▶ Pressionar a barra de direção (1) para cima, até que os pinos (4 e 5) dos botões do cabo (2 e 3) engatem. A barra de direção (1) está fixada.



- ▶ Soltar os botões de regulagem (6).
- ▶ Dobrar a parte superior da barra de direção (7).

9 Conectar e desconectar a chave de ativação

9.1 Inserir a chave de ativação



- ▶ Abrir a aba (1) até o encosto e segurá-la.
- ▶ Pressionar a chave de ativação (2) e mantê-la pressionada.
- ▶ Inserir a chave de ativação (2) no conector da chave (3). A chave de ativação (2) encaixa com um clique.
- ▶ Fechar a aba (1).

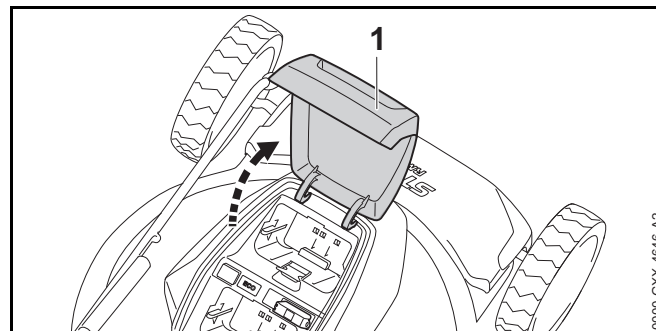
9.2 Tirar a chave de ativação

- ▶ Abrir a aba até o encosto e segurá-la.
- ▶ Pressionar a chave de ativação e mantê-la pressionada.
- ▶ Tirar a chave de ativação.
- ▶ Fechar a aba.
- ▶ Guardar a chave de ativação fora do alcance de crianças.

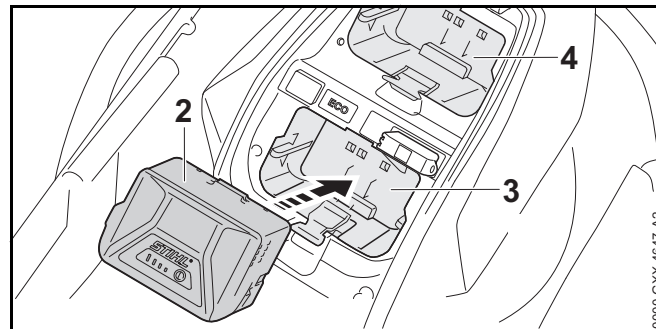
10 Inserir e tirar a bateria

10.1 Colocar a bateria

O cortador de grama é equipado com dois compartimentos para bateria. É possível levar uma bateria de reposição.



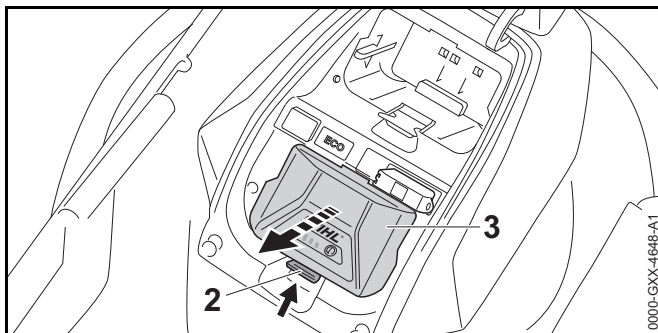
- ▶ Abrir a aba (1) até o encosto e segurá-la.



- ▶ Pressionar a bateria (2) até o encosto no compartimento da bateria (3).
- A bateria (2) encaixa com um clique.
- ▶ Caso seja necessário levar uma bateria de reposição: Inserir a bateria de reposição no compartimento da bateria (4).
- A bateria encaixa com um clique.
- ▶ Fechar a aba (1).

10.2 Tirar a bateria

- ▶ Colocar o cortador de grama sobre uma superfície plana.
- ▶ Abrir a aba (1) até o encosto e segurá-la.

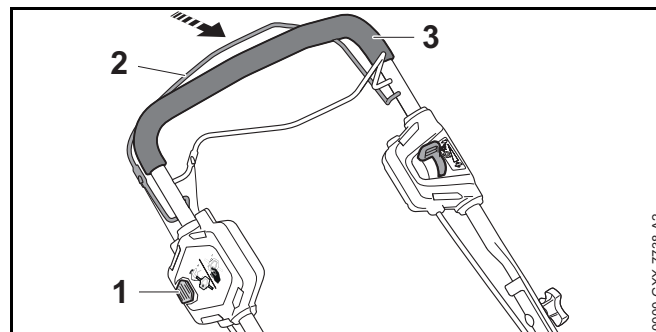


- ▶ Pressionar a alavanca de bloqueio (2).
- A bateria (3) está desbloqueada e pode ser retirada.
- ▶ Fechar a aba (1).

11 Ligar e desligar o cortador de grama

11.1 Acionar a lâmina de corte

- ▶ Colocar o cortador de grama sobre uma superfície plana.





- ▶ Pressionar o botão de bloqueio (1) com a mão direita e mantê-lo pressionado.
- ▶ Puxar a alavanca de acionamento para corte (2) com a mão esquerda totalmente em direção à barra de direção (3) e segurá-la, de forma que o polegar envolva a barra de direção (3). A lâmina de corte entra em rotação.
- ▶ Soltar o botão de bloqueio (1).
- ▶ Segurar a barra de direção (3) e a alavanca de acionamento para corte (2) com a mão direita, de forma que o polegar envolva a barra de direção (3).

11.2 Desligar a lâmina de corte

- ▶ Soltar a alavanca de acionamento para corte.
 - ▶ Aguardar, até que a lâmina de corte não gire mais.
 - ▶ Se a lâmina de corte continuar girando: tirar a chave de segurança, retirar a bateria e consultar um Ponto de Vendas STIHL.
- O cortador de grama está com defeito.

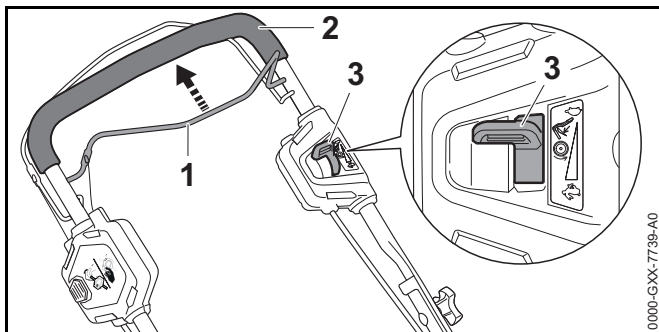
12 Ligar e desligar a tração

12.1 Ligar a tração

A velocidade do cortador de grama pode ser ajustada de 1 km/h até 4,5 km/h sem degraus. Na posição  o cortador de grama anda com velocidade máxima. Na posição  o cortador de grama anda com velocidade mínima.

A velocidade ajustada influencia no tempo de duração da bateria. Quanto menor a velocidade da tração, maior a duração da bateria.

- ▶ Colocar o cortador de grama sobre uma superfície plana.



- ▶ Puxar a alavanca de acionamento da tração (1) totalmente em direção da barra de direção (2) e segurá-la, de forma que o polegar envolva a barra de direção (2). O cortador de grama entra em movimento.
- ▶ Colocar a alavanca (3) na posição desejada.

12.2 Desligar a tração

- ▶ Soltar a alavanca de acionamento de tração.
- ▶ Aguardar, até que o cortador de grama fique parado.
- ▶ Se o cortador de grama continuar andando: tirar a chave de segurança, retirar a bateria e consultar um Ponto de Vendas STIHL. O cortador de grama está com defeito.

13 Verificar o cortador de grama e a bateria

13.1 Verificar os elementos de manejo



Botão de bloqueio e alavanca de acionamento de corte

- ▶ Tirar a chave de segurança.
- ▶ Tirar a bateria.
- ▶ Pressionar o botão de bloqueio e soltá-lo novamente.
- ▶ Puxar a alavanca de acionamento de corte totalmente em direção da barra de direção e soltar.
- ▶ Se houver dificuldade no acionamento do botão de bloqueio ou da alavanca de acionamento de corte ou se eles não retornarem para a posição inicial: não utilizar o cortador de grama e procurar um Ponto de Vendas STIHL. O botão de bloqueio ou a alavanca de acionamento de corte estão com defeito.

Alavanca de acionamento de tração

- ▶ Tirar a chave de segurança.
- ▶ Tirar a bateria.
- ▶ Puxar a alavanca de acionamento de tração totalmente em direção da barra de direção e soltar.
- ▶ Se houver dificuldade no acionamento da alavanca de acionamento de tração ou se ela não retornar para a posição inicial: não utilizar o cortador de grama e procurar um Ponto de Vendas STIHL. A alavanca de acionamento de tração está com defeito.

Alavanca de aceleração

- ▶ Tirar a chave de segurança.
- ▶ Tirar a bateria.
- ▶ Colocar a alavanca de aceleração em posição  e depois em posição .
- ▶ Se a alavanca de aceleração estiver muito solta: não utilizar o cortador de grama e procurar um Ponto de Vendas STIHL. A alavanca de aceleração está com defeito.

Ligar o cortador de grama

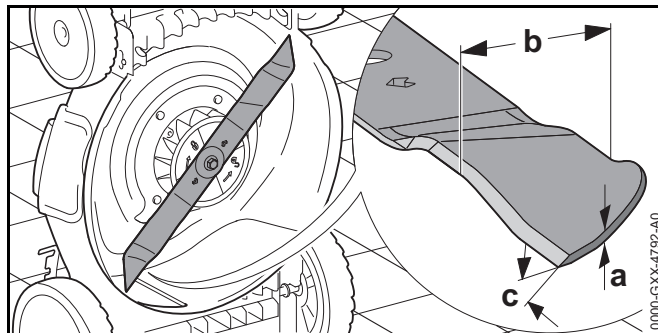
- ▶ Inserir a chave de segurança.
- ▶ Colocar a bateria.
- ▶ Pressionar o botão de bloqueio com a mão direita e mantê-lo pressionado.
- ▶ Puxar a alavanca de acionamento de corte com a mão esquerda totalmente em direção da barra de direção e segurá-la, de forma que o polegar envolva a barra de direção.
A lâmina de corte entra em rotação.
- ▶ Se 3 LEDs vermelhos estiverem piscando: tirar chave de segurança, retirar a bateria e procurar uma Concessionária STIHL.
Existe um distúrbio no cortador de grama.
- ▶ Soltar o botão de bloqueio e alavanca de acionamento de corte.
A lâmina de corte não gira mais, após breve período.
- ▶ Se a lâmina de corte continuar girando: tirar a chave de segurança, retirar a bateria e consultar um Ponto de Vendas STIHL.
O cortador de grama está com defeito.

Ligar a tração

- ▶ Inserir a chave de segurança.
- ▶ Colocar a bateria.
- ▶ Puxar a alavanca de acionamento da tração totalmente em direção da barra de direção e segurá-la, de forma que o polegar envolva a barra de direção.
O cortador de grama entra em movimento.
- ▶ Soltar a alavanca de acionamento para tração.
O cortador de grama fica parado.
- ▶ Se o cortador de grama continuar andando: retirar a bateria e consultar um Ponto de Vendas STIHL.
O cortador de grama está com defeito.

13.2 Verificar a lâmina de corte

- ▶ Desligar o cortador de grama, tirar a chave de segurança e retirar a bateria.
- ▶ Posicionar o cortador de grama.



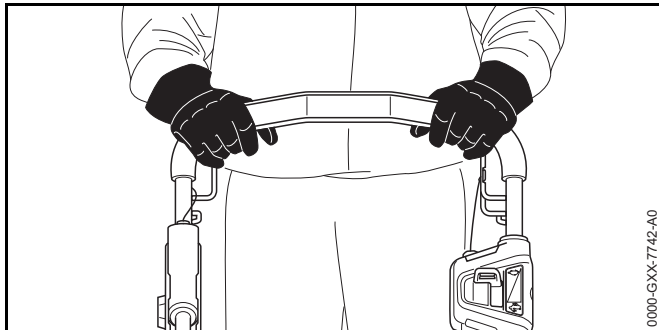
- ▶ Medir o seguinte:
 - espessura a
 - largura b
 - ângulo de afiação c
- ▶ Se a espessura mínima ou a largura mínima não for alcançada: substituir a lâmina de corte, 22.2.
- ▶ Se o ângulo de afiação não for cumprido: afiar a lâmina de corte, 22.2.
- ▶ Em caso de dúvidas: consultar um Ponto de Vendas STIHL.

13.3 Verificar a bateria

- ▶ Pressionar o botão de pressão na bateria.
Os LEDs acendem ou piscam.
- ▶ Se os LEDs não acenderem ou piscarem: não utilizar a bateria e consultar uma Concessionária STIHL.
Existe uma falha na bateria.

14 Trabalhar com o cortador de grama

14.1 Segurar e conduzir o cortador de grama

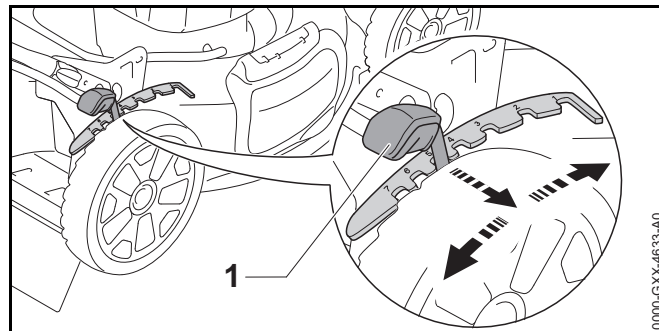


- ▶ Segurar a barra de direção com as duas mãos, para que os polegares envolvam a barra de direção.

14.2 Ajustar a altura de corte

Dependendo da utilização, existe a possibilidade de ajustar 8 diferentes alturas de corte:

- 25 mm = Posição 1
- 34 mm = Posição 2
- 44 mm = Posição 3
- 54 mm = Posição 4
- 64 mm = Posição 5
- 76 mm = Posição 6
- 88 mm = Posição 7
- 100 mm = Posição 8



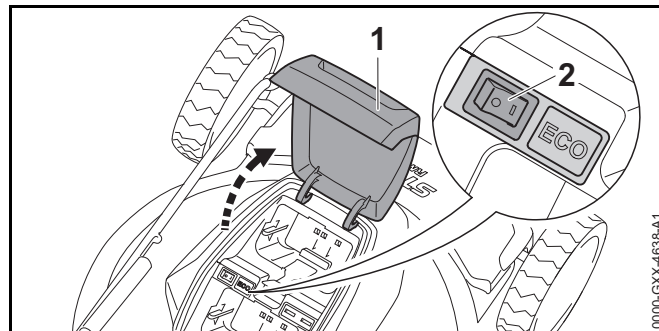
As posições são informadas no cortador de grama.

- ▶ Puxar a alavanca (1) do rebaixo e engatar a posição desejada.

14.3 Ligar em modo ECO

Ao ativar o modo ECO, o cortador de grama reconhecerá as condições de trabalho atuais e ajustará automaticamente a rotação apropriada para a lâmina de corte.

A duração da bateria pode ser prolongada.



- ▶ Abrir a aba (1) até o encosto e segurá-la.
- ▶ Colocar o interruptor ECO (2) na posição I.
- ▶ Fechar a aba (1).

14.4 Cortar e moer



- ▶ Em trabalhos com a tração acionada: deslocar o cortador de grama com cuidado para frente.
- ▶ Em trabalhos com a tração não acionada: empurrar o cortador de grama com cuidado para frente.

15 Após o trabalho

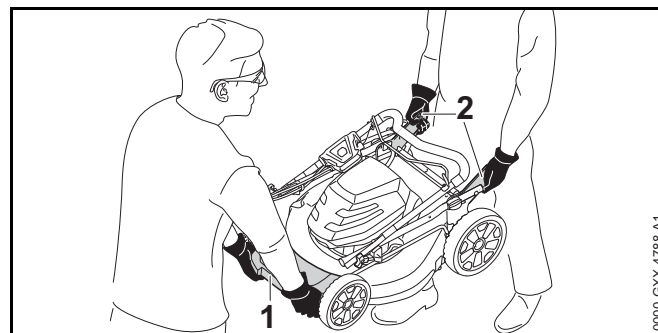
15.1 Após o trabalho

- ▶ Desligar o cortador de grama, tirar a chave de segurança e retirar a bateria.
- ▶ Se o cortador de grama estiver molhado: deixá-lo secar.
- ▶ Se a bateria estiver molhada: deixá-la secar.
- ▶ Limpar o cortador de grama.
- ▶ Limpar a bateria.

16 Transporte

16.1 Transportar o cortador de grama

- ▶ Desligar o cortador de grama.
A lâmina de corte não pode estar em movimento.
- ▶ Se o cortador de grama for transportado com a tração acionada:
 - ▶ Ligar a tração.
 - ▶ Deslocar o cortador de grama com cuidado para frente.
- ▶ Se o cortador de grama for transportado com a tração não acionada: empurrar o cortador de grama com cuidado para frente.



- ▶ Se o cortador de grama tiver que ser carregado:
 - ▶ Tirar a chave de segurança e retirar a bateria.
 - ▶ Dobrar a barra de direção.
 - ▶ Segurar o cortador de grama com as duas mãos na cobertura (1) e com as duas mão nos consoles (2) e carregá-lo a dois.
- ▶ Se o cortador de grama for transportado em um veículo:
 - ▶ Tirar a chave de segurança e retirar a bateria.
 - ▶ Certificar-se que o cortador de grama não possa cair ou se movimentar.

16.2 Transportar a bateria

- ▶ Desligar o cortador de grama e tirar a bateria.

- ▶ Certificar-se de que a bateria está em perfeitas condições de segurança.
- ▶ Embalar a bateria, de modo que sejam atendidas as seguintes condições:
 - A embalagem não é condutora de eletricidade.
 - A bateria não pode se mover na embalagem.
- ▶ Fixar a embalagem para que ela não possa se movimentar.

A bateria está sujeita às exigências para o transporte de mercadorias perigosas. A bateria está classificada como UN 3480 (baterias de íons de lítio) e foi testada conforme Manual UN de Ensaios e Critérios, Parte III, subitem 38.3.

Os regulamentos de transporte podem ser encontrados em www.stihl.com/safety-data-sheets.

17 Armazenagem

17.1 Guardar o cortador de grama

- ▶ Desligar o cortador de grama, tirar a chave de segurança e retirar a bateria.
- ▶ Guardar o cortador de grama de modo que sejam atendidas as seguintes condições:
 - O cortador de grama está fora do alcance de crianças.
 - O cortador de grama está limpo e seco.

17.2 Guardar a bateria

A STIHL recomenda guardar a bateria com uma carga entre 40 % e 60 % (2 LEDs verdes acesos).

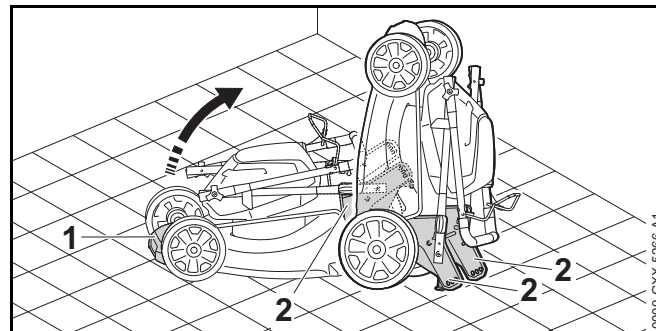
- ▶ Guardar a bateria, de modo que sejam atendidas as seguintes condições:
 - a bateria está fora do alcance de crianças
 - a bateria está limpa e seca
 - a bateria está num ambiente fechado
 - a bateria está separada do cortador de grama e do carregador

- a bateria está numa embalagem que não seja condutora de eletricidade
- a bateria está numa faixa de temperatura entre - 10 °C e + 50 °C

18 Limpeza

18.1 Posicionar o cortador de grama

- ▶ Desligar o cortador de grama, tirar a chave de segurança e retirar a bateria.
- ▶ Colocar o cortador de grama sobre uma superfície plana.
- ▶ Ajustar a altura de corte no nível 4.
- ▶ Dobrar a barra de direção.



- ▶ Segurar o cortador de grama com uma mão na cobertura (1) e com a outra mão no console (2).
- ▶ Posicionar o cortador de grama, de forma que os consoles (2) encostem no chão.

18.2 Limpar o cortador de grama

- ▶ Desligar o cortador de grama, tirar a chave de segurança e retirar a bateria.
- ▶ Limpar o cortador de grama com um pano úmido.
- ▶ Limpar o canal de saída e canal de saída lateral com uma escova macia ou um pano úmido.
- ▶ Remover resíduos do compartimento da bateria e limpar o compartimento com um pano úmido.

- ▶ Limpar os contatos elétricos no compartimento da bateria com um pincel ou com uma escova macia.
- ▶ Limpar a fenda do suspiro do tanque com um pincel.
- ▶ Posicionar o cortador de grama.
- ▶ Limpar a região da lâmina e a lâmina com uma escova macia ou um pano úmido.

18.3 Limpar a bateria

- ▶ Limpar a bateria com um pano úmido.

19 Manutenção

19.1 Afiar e balancear a lâmina de corte

Afiar e balancear a lâmina de corte corretamente exige muita prática.

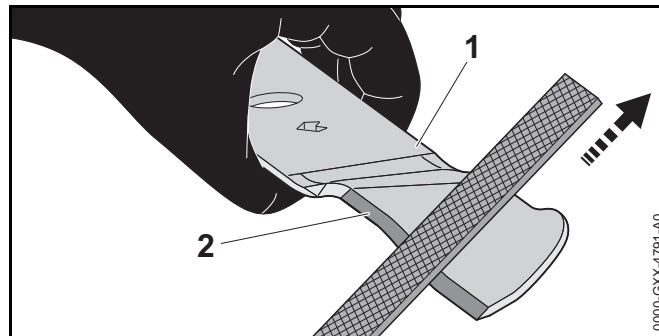
Limas STIHL, ferramentas de afiação STIHL e aparelhos de afiação STIHL ajudam na afiação correta da lâmina de corte.


A STIHL recomenda que as lâminas de corte sejam afiadas e balanceadas em um Ponto de Vendas STIHL.

ATENÇÃO

Os gumes da lâmina de corte são afiados. O usuário pode se cortar.

- ▶ Usar luvas de proteção feitas com material resistente.
-
- ▶ Desligar o cortador de grama, tirar a chave de segurança e retirar a bateria.
 - ▶ Posicionar o cortador de grama.
 - ▶ Desmontar a lâmina de corte.



- ▶ Afiar o gume (2) com uma lima chata STIHL com um movimento de avanço. Observar o ângulo de afiação,  22.2.
- ▶ Virar a lâmina de corte (1).
- ▶ Afiar o outro gume (2).
- ▶ Montar a lâmina de corte.
- ▶ Em caso de dúvidas: consultar um Ponto de Vendas STIHL.

20 Consertos

20.1 Consertar o cortador de grama e a bateria

O usuário não pode consertar o cortador de grama, a lâmina de corte e a bateria por conta própria.

- ▶ Se o cortador de grama ou a lâmina de corte estiverem danificados: não utilizar o cortador de grama ou a lâmina de corte e procurar um Ponto de Vendas STIHL.
- ▶ Se a bateria estiver com defeito ou danificada: substituir a bateria.
- ▶ Se as etiquetas de avisos estiverem ilegíveis ou danificadas: procurar um Ponto de Vendas STIHL para substituí-las.

21 Solucionar distúrbios

21.1 Solucionar distúrbios no cortador de grama ou na bateria

Distúrbio	LEDs na bateria	Causa	Solução
O cortador de grama não liga quando é acionado.	1 LED verde piscando.	A carga da bateria está muito baixa.	▶ Carregar a bateria.
	1 LED vermelho aceso.	A bateria está muito quente ou muito fria.	▶ Tirar a chave de segurança. ▶ Tirar a bateria. ▶ Deixar a bateria esfriar ou aquecer.
	3 LEDs vermelhos piscando.	Existe um distúrbio no cortador de grama.	▶ Tirar a chave de segurança. ▶ Tirar a bateria. ▶ Limpar os contatos elétricos no compartimento da bateria. ▶ Colocar a bateria. ▶ Ligar o cortador de grama. ▶ Se 3 LEDs vermelhos continuarem piscando: não utilizar o cortador de grama e procurar um Ponto de Vendas STIHL.
	3 LEDs vermelhos acesos.	Cortador de grama está muito quente.	▶ Tirar a chave de segurança. ▶ Tirar a bateria. ▶ Deixar o cortador de grama esfriar.
	4 LEDs vermelhos piscando.	Existe uma falha na bateria.	▶ Tirar a bateria e colocá-la novamente. ▶ Ligar o cortador de grama. ▶ Se 4 LEDs vermelhos continuarem piscando: não utilizar a bateria e procurar um Ponto de Vendas STIHL.
		A conexão elétrica entre o cortador de grama e a bateria foi interrompida.	▶ Tirar a chave de segurança. ▶ Tirar a bateria. ▶ Limpar os contatos elétricos no compartimento da bateria. ▶ Inserir a chave de segurança. ▶ Colocar a bateria.

Distúrbio	LEDs na bateria	Causa	Solução
		O cortador de grama ou a bateria estão úmidos.	<ul style="list-style-type: none"> ▶ Tirar a chave de segurança. ▶ Tirar a bateria. ▶ Limpar o cortador de grama. ▶ Deixar o cortador de grama ou a bateria secar.
		A resistência na lâmina de corte é muito grande.	<ul style="list-style-type: none"> ▶ Ajustar uma altura de corte maior. ▶ Ligar o cortador de grama em grama mais baixa.
A tração não funciona.		Existe uma falha na tração.	<ul style="list-style-type: none"> ▶ Tirar a bateria e colocá-la novamente. ▶ Ligar a tração. ▶ Se a tração continuar não funcionando: procurar um Ponto de Vendas STIHL.
O cortador de grama desliga durante o trabalho.	3 LEDs vermelhos acesos.	Cortador de grama está muito quente.	<ul style="list-style-type: none"> ▶ Tirar a chave de segurança. ▶ Tirar a bateria. ▶ Deixar o cortador de grama esfriar. ▶ Limpar o cortador de grama. ▶ Não ligar o cortador de grama frequentemente em um curto espaço de tempo. ▶ Em trabalhos com a tração acionada: regular velocidade baixa. ▶ Em trabalhos com a tração não acionada: caminhar devagar para frente. ▶ Ajustar uma altura de corte maior. ▶ Cortar grama mais baixa.
		A lâmina de corte está bloqueada.	<ul style="list-style-type: none"> ▶ Tirar a chave de segurança. ▶ Tirar a bateria. ▶ Limpar o cortador de grama.
		Existe um distúrbio elétrico.	<ul style="list-style-type: none"> ▶ Tirar a bateria e colocá-la novamente. ▶ Ligar o cortador de grama.

Distúrbio	LEDs na bateria	Causa	Solução
O tempo de funcionamento do cortador de grama é muito curto.		A bateria não está totalmente carregada.	► Carregar a bateria totalmente.
		A durabilidade da bateria foi excedida.	► Substituir a bateria.
Após inserir a bateria no carregador, o processo de carga não inicia.	1 LED vermelho aceso.	A bateria está muito quente ou muito fria.	► Deixar a bateria inserida no carregador. O processo de carga inicia automaticamente, assim que a faixa de temperatura permitida for atingida.

22 Dados técnicos

22.1 Cortador de grama STIHL RMA 460.0 V

- Bateria permitida: STIHL AK
- Peso sem bateria: 28 kg
- Capacidade máxima do cesto coletor de grama: 60 l
- Largura de corte: 46 cm
- Rotação: 3200 1/min
- Rotação no modo ECO: 2800 1/min

O tempo de funcionamento está indicado em www.stihl.com/battery-life.

22.2 Lâmina de corte

- Espessura: 2,5 mm
- Espessura mínima: 2,0 mm
- Largura: 50 mm
- Largura mínima: 45 mm
- Ângulo de afiação: 30°

22.3 Bateria STIHL AK

- Tecnologia da bateria: Íons de lítio
- Tensão: 36 V
- Capacidade em Ah: ver plaqueta de identificação
- Teor de energia em Wh: ver plaqueta de identificação
- Peso em kg: ver plaqueta de identificação
- Faixa de temperatura permitida para utilização e armazenagem: - 10 °C até + 50 °C

22.4 Instrução normativa

STIHL Tirol GmbH
Hans Peter Stihl-Straße 5

6336 Langkampfen
Áustria

certifica que a máquina, corresponde às prescrições de aplicação das normas IEC 60335-1 e IEC 60335-2-77.

23 Peças de reposição e acessórios

23.1 Peças de reposição e acessórios

STIHL Estes símbolos identificam as peças de reposição e acessórios originais STIHL.



A STIHL recomenda utilizar peças de reposição originais STIHL e acessórios originais STIHL.

As peças de reposição e os acessórios originais STIHL podem ser adquiridos em um Ponto de Vendas STIHL.

24 Descarte

24.1 Descartar o cortador de grama e a bateria

Informações atualizadas sobre o descarte estão disponíveis num Ponto de Vendas STIHL.

As baterias podem ser descartadas num Ponto de Vendas STIHL.

- ▶ O descarte do cortador de grama, da bateria, dos acessórios e das embalagens deve obedecer à legislação específica de cada país e a reciclagem deve ser ambientalmente correta.

0458-818-9921-A

INT1



www.stihl.com



0458-818-9921-A