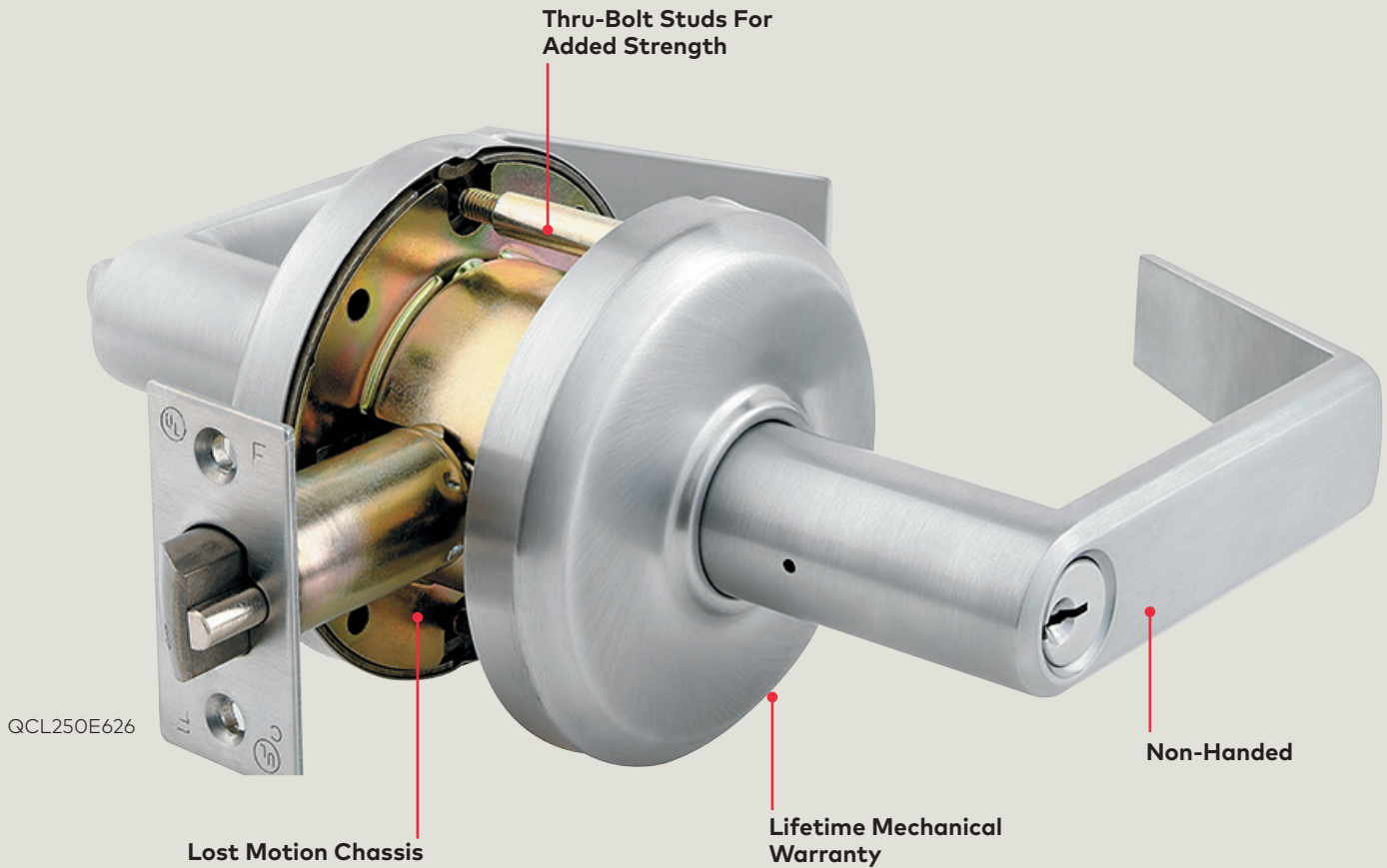


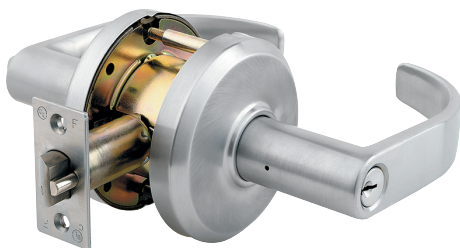
QCL200 Cylindrical Lock FAQ



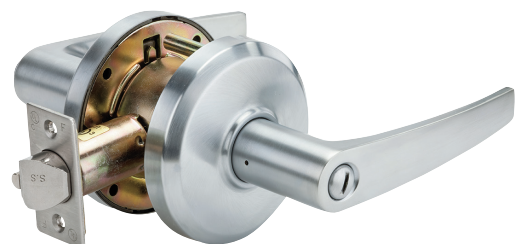
QCL200 Cylindrical Lock



Additional QCL200 Lever Styles



QCL250M626



QCL240A626

What is the QCL200?

The QCL200 is a grade 2 cylindrical lever set. The QCL200 comes standard with a lost motion chassis that provides resistance to internal damage caused by physical force to the lever. Its thru-bolt design and heavy-duty spring tension provides longer performance life and prevents lever droop.

Who is the QCL200 customer?

The QCL200 is a cost-effective option for non-institutional applications such as hospitality, multi-family and commercial office spaces.

Does the QCL200 fit the standard door prep?

Yes, the QCL200 fits the standard door prep (161). The QCL200 shares the same thru-bolt hole pattern as Schlage and Corbin Russwin.

What functions are offered for the QCL200?

The QCL200 is available in 8 functions (i.e., single dummy, passage, communicating, privacy, entry/office, corridor, classroom & storeroom).

What door thickness range can the QCL200 accommodate?

The QCL200 can be field adjusted to fit doors 1-3/8" – 2" thick.

What back sets are available for the QCL200?

The QCL200 can be ordered with a 2-3/8", 2-3/4", 3-3/4" or 5" back set dead locking latch. In addition, square, radius, fire-rated and narrow latches are available to choose from.

What lever styles are offered for the QCL200?

The QCL200 has 3 lever styles (i.e., Sierra, Summit & Slate).

Do you have to specify handing when ordering a QCL200?

The QCL200 is non-handed, so you can simply flip it around to fit the specific application.

Does the QCL200 come with a core?

The QCL200 can be ordered with a Small Format Interchangeable Core (SFIC) or as Less Cylinder.

What keyways are available to order on the QCL200?

The QCL200 is available to order with the following keyways: BEST "F" SFIC, Kwikset "KW", Weiser "E", Schlage "C", Yale "GA" and Sargent "LA".

What finishes are offered for the QCL200?

The QCL200 is available in 5 finishes: 605, 613, 619, 625 & 626. The QCL240 is available in two split trim finish options that feature either 613 or 625 on the interior and 626 on the exterior.

What is the lead time for a QCL200?

The average lead time for a QCL200 is less than 2 weeks.

What warranty does the QCL200 have?

The QCL200 has a limited lifetime mechanical warranty, 3 year finish warranty and a 1 year electrical warranty. The 613 finish is not covered under the 3 year finish warranty.