

VON DUPRIN®

4200 Series

Electric strike for cylindrical locks and deadlatches



Overview

4200 Series is designed to offer versatility in two commercial-duty electric door strike models. They are a great choice for applications where interior traffic control is the primary function. And with their solid construction and heavy-duty stainless steel faceplate, they meet ANSI/BHMA Grade 1 for endurance and dynamic strength.

Designed for compatibility with a wide range of cylindrical devices, they are able to address a broad range of needs. You'll find 4200 Series strikes work with all Schlage and Falcon cylindrical locks as well as those of many other manufacturers.

These reliable strikes are easy to order, configure and install. Field selectable options include changing fail safe and fail secure modes without disassembly. They also feature a 12/24 dual-voltage solenoid for field wiring of either input voltage. Factory orderable options include an entry buzzer and rectifier kits to provide even greater flexibility and available parts include square or round cornered ANSI faceplates.

Features and benefits

- Designed for cylindrical applications
- Capable of four in-field configurations
- Shallow 1-3/8" backbox depth
- Field selectable 12/24 VDC voltage
- Non-handed, internal solenoid design
- Low current draw for PoE installations
- Field selectable power failure mode (fail-safe/fail-secure) without disassembly
- Heavy-duty stainless steel faceplate
- Latchbolt monitoring available (4212 model)
- Options include entry buzzer and rectifier kits
- Suitable for interior and exterior doors
- Meets ANSI/BHMA A156.31, Grade 1 for endurance and dynamic strength
- Meets ANSI/BHMA A156.31, Grade 2, 1000 lbs static strength
- Dynamic strength 70 ft-lbs
- Endurance 500,000 cycles

Lockset compatibility

The 4200 series is compatible with all Schlage and Falcon cylindrical locks as well as cylindrical and deadlatch locks of many other manufacturers.

- The 4211 is compatible with locksets with $\frac{5}{8}$ " (15 mm) throw latchbolts, or up to $\frac{3}{4}$ " (19mm) throw latchbolts with a $\frac{1}{8}$ " door gap.
- The 4212 is compatible with locksets with $\frac{1}{2}$ " (12.7mm) throw latchbolts, or up to $\frac{5}{8}$ " (15 mm) throw latchbolts with a $\frac{1}{8}$ " door gap.

4200 Series power requirements

Model	Voltage	Current	Duty	Amps	Ohms
4211 or 4212	12V	DC	Continuous	0.20	
4211 or 4212	24V	DC	Continuous	0.10	

4212 Latchbolt monitor switch rating: 30VDC at 0.20 A

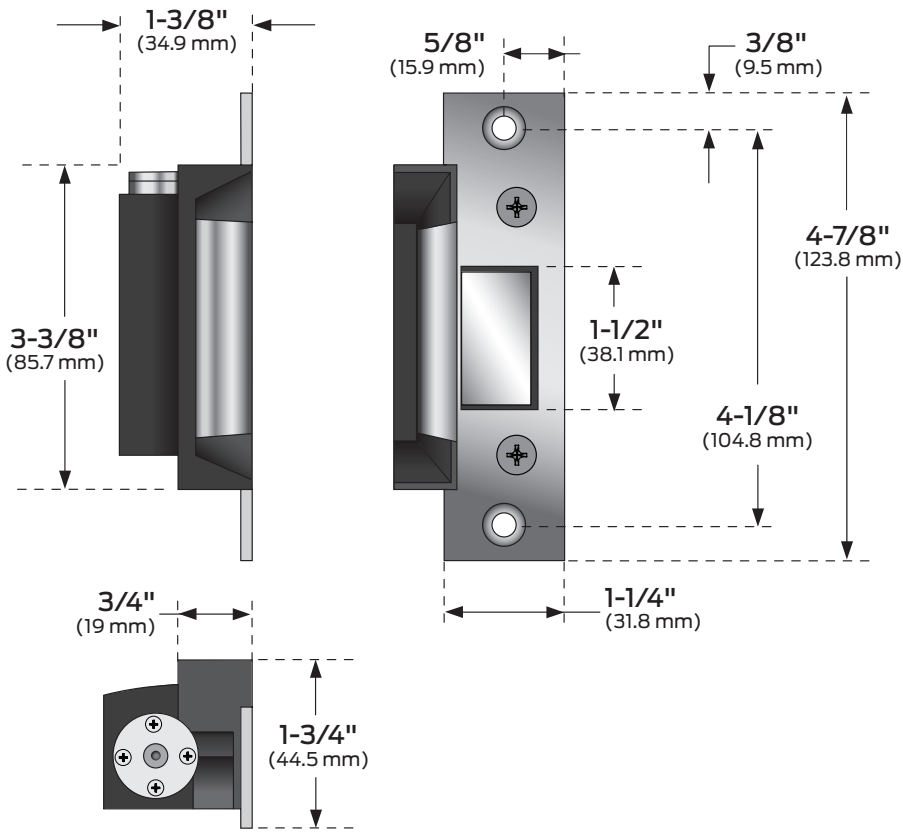
The 4200 series requires a DC regulated power supply, and the Schlage P5900 series power supplies are recommended.

Continuous duty = Energized 1 minute or more

Model specifications

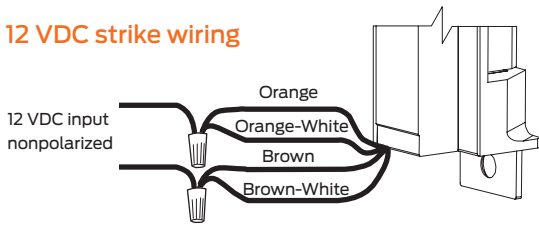
Model number		4211	4212
Retrofit model		HES 5200, RCI 6 Series	HES 5000, RCI 6 Series
Latchbolt throw		$\frac{3}{4}$ "	$\frac{5}{8}$ "
Latchbolt monitor switch		---	■
Face plate length		4 $\frac{7}{8}$ "	4 $\frac{7}{8}$ "
Backbox depth		1 $\frac{3}{8}$ "	1 $\frac{3}{8}$ "
Finish (faceplate)		BHMA 630/US32D	
Lockset	Cylindrical	■	■
	Deadlatch	■	■
	Mortise	---	---
Number of doors	Single	■	■
	Pair	---	---
Frame type	Hollow metal	■	■
	Aluminum	■	■
	Wood	---	---
Options	EB (entry buzzer - fail-secure only)	■	■
	S012 & S024 rectifier kit for AC to DC operation	■	■

Dimensions

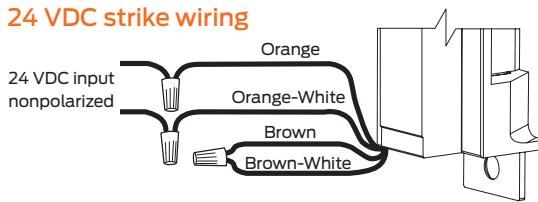


Wiring

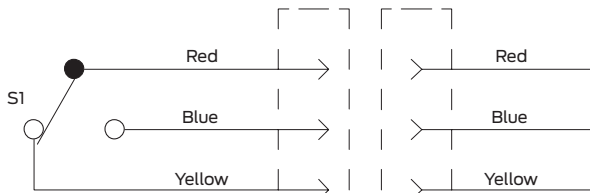
12 VDC strike wiring



24 VDC strike wiring



Latchbolt monitoring switch (4212 only)



Switch shown with latch status tripper depressed

Ordering information

4200-S024-EB



* Optional

Selections correspond with the numbers above

1	Model
4211	See model specification chart to make the proper selection
4212	See model specification chart to make the proper selection
2	Rectifier kit (optional)
S012	Converts 12 VAC voltage to 12 VDC to operate the solenoid
S024	Converts 24 VAC voltage to 24 VDC to operate the solenoid
3	Buzzer (optional)
EB	Entry Buzzer, with fail-secure (FSE) configured

Standard features

- Power failure mode: Field configurable fail-secure/fail-safe
- Voltage: Field configurable 12 VDC/24 VDC dual voltage solenoid
- Finish: BHMA 630/US32D satin stainless steel
- Includes mounting tabs, fail secure conversion hex key, wood and machine screws, plus a suppressing diode.

Allegion, the Allegion logo, Von Duprin and the Von Duprin logo are trademarks of Allegion plc, its subsidiaries and/or affiliates in the United States and other countries. All other trademarks are the property of their respective owners.

About Allegion

Allegion (NYSE: ALLE) is a global pioneer in safety and security, with leading brands like CISA®, Interflex®, LCN®, Schlage®, SimonsVoss® and Von Duprin®. Focusing on security around the door and adjacent areas, Allegion produces a range of solutions for homes, businesses, schools and other institutions. Allegion is a \$2 billion company, with products sold in almost 130 countries. For more, visit www.allegion.com.

KRYPTONITE ■ LCN ■  ■ STEELCRAFT ■ VON DUPRIN



© 2019 Allegion
010151, Rev.12/19
www.allegion.com/us