

Sample Order / Cheat Sheet
J Screen Door Hardware 1/2

QUOTE ORDER

NAME: _____

PO# _____

ADDRESS: _____

DELIVERY: _____

ADDRESS: _____

ADDRESS: _____



ORDER DATE: _____

OFFICE PHONE: _____

CONTACT: _____

FAX PHONE: _____

JOB NAME: _____

JOB PHONE: _____

HARDWARE WORK ORDER

Toll Free 888.788.2013 or 208.788.2013; Fax 208.788.2577

3002 12 01

LINE NO.	FUNCTION	HANDLE		ESCUTCHEON		METAL	PATINA	HANDING OR LENGTH	BACKSET	DOOR THICKNESS	LOCK TYPE	DEAD BOLT TRIM	DESCRIPTION	LOCATION #	QTY.	PRICE QUOTED
		EXTERIOR	INTERIOR	EXTERIOR	INTERIOR											
1	SC-PA	LB50	LB50	E405	E405	B	D	R	134	138	ML		2 3/4" Max 2,6		2	858.00
2	SC-PR	LB60	LB60	E317	E316	W	L	RR	112	134	ML		1		1	966.00
3	SC-DU	KB50	KB50	E710	E710	B	M	L					3		1	513.00
4	SC-PO	KB60	KB60	E515	E516	W	D	LR	2	112	ML		4,5		2	955.00
5	SC-DU		LB50		E405	W	M	LR					7		1	257.00
6																

FUNCTION

SC-DU = Dummy
SC-PA = Passage
SC-PO = Patio
SC-PR = Privacy

HANDLE

For a list of Levers and Knobs available for Screen Door Sets, see next page.

For specifications, refer to Section A.

ESCUTCHEONS

For a list of Escutcheons available for Screen Door Sets, see next page.

For configurations, specifications, and pricing, refer to content of this section.

METAL

B = Silicon Bronze
W = White Bronze

PATINA

L = Light
M = Medium
D = Dark
R = Rust
BB = Brushed
DL = Dark Lustre
HP = High Polished *
*Up-charge applies.

HANDING / LENGTH

L = Left Hand
R = Right Hand
LR = Left Hand Reverse
RR = Right Hand Reverse

BACKSET

112 = 1 1/2"
134 = 1 3/4"
2 = 2"

DOOR THICKNESS

118 = 1 1/8"
138 = 1 3/8"
112 = 1 1/2"
134 = 1 3/4"
178 = 1 7/8"
2 = 2"
214 = 2 1/4"

Up-charge for sizes below.
Call for pricing.

212 = 2 1/2"
258 = 2 5/8"
234 = 2 3/4"
3 = 3"
314 = 3 1/4"
312 = 3 1/2"
4 = 4"
N = No

LOCK TYPE

ML = Mortise Lock

DEAD BOLT TRIM

Not Applicable

DESCRIPTION

Maximum Projection

LOCATION #

Room Number or Door Number, etc.

QTY

Number of each desired

PRICE

\$ List price each

Sample Order / Cheat Sheet

J Screen Door Hardware 2/2

HANDLE

Levers

LB30 = Small Reed Lever
LB50 = Small Beaver Tail Lever
LB60 = Small Olympus Lever
LW05 = Mini Ellis Lever
LW10 = Mini Euro Lever
LW15 = Mini Legacy Lever
LW20 = Mini French Lever
LW37 = Mini Strap Lever
LW40 = Mini Classic Lever
LW50 = Mini Acanthus Lever
LW60 = Mini Harrington Lever
LW65 = Mini Falcon Lever
LW80 = Mini Monarch Lever
LW85 = Mini Ribbon & Reed Lever

ESCUTCHEONS

Arched

E710 = 2" x 6" Arched
E712 = 2" x 6" Arched (ER)
E711 = 2" x 6" Arched (TP)

Curved

E515 = 2" x 6" Curved
E517 = 2" x 6" Curved (ER)
E516 = 2" x 6" Curved (TP)

Ellis

E015 = 2" x 6" Ellis
E017 = 2" x 6" Ellis (ER)
E016 = 2" x 6" Ellis (TP)

Metro

E215 = 2" x 6" Metro
E217 = 2" x 6" Metro (ER)
E216 = 2" x 6" Metro (TP)

Rectangular

E405 = 2" x 6" Rectangular
E407 = 2" x 6" Rectangular (ER)
E406 = 2" x 6" Rectangular (TP)

Stepped

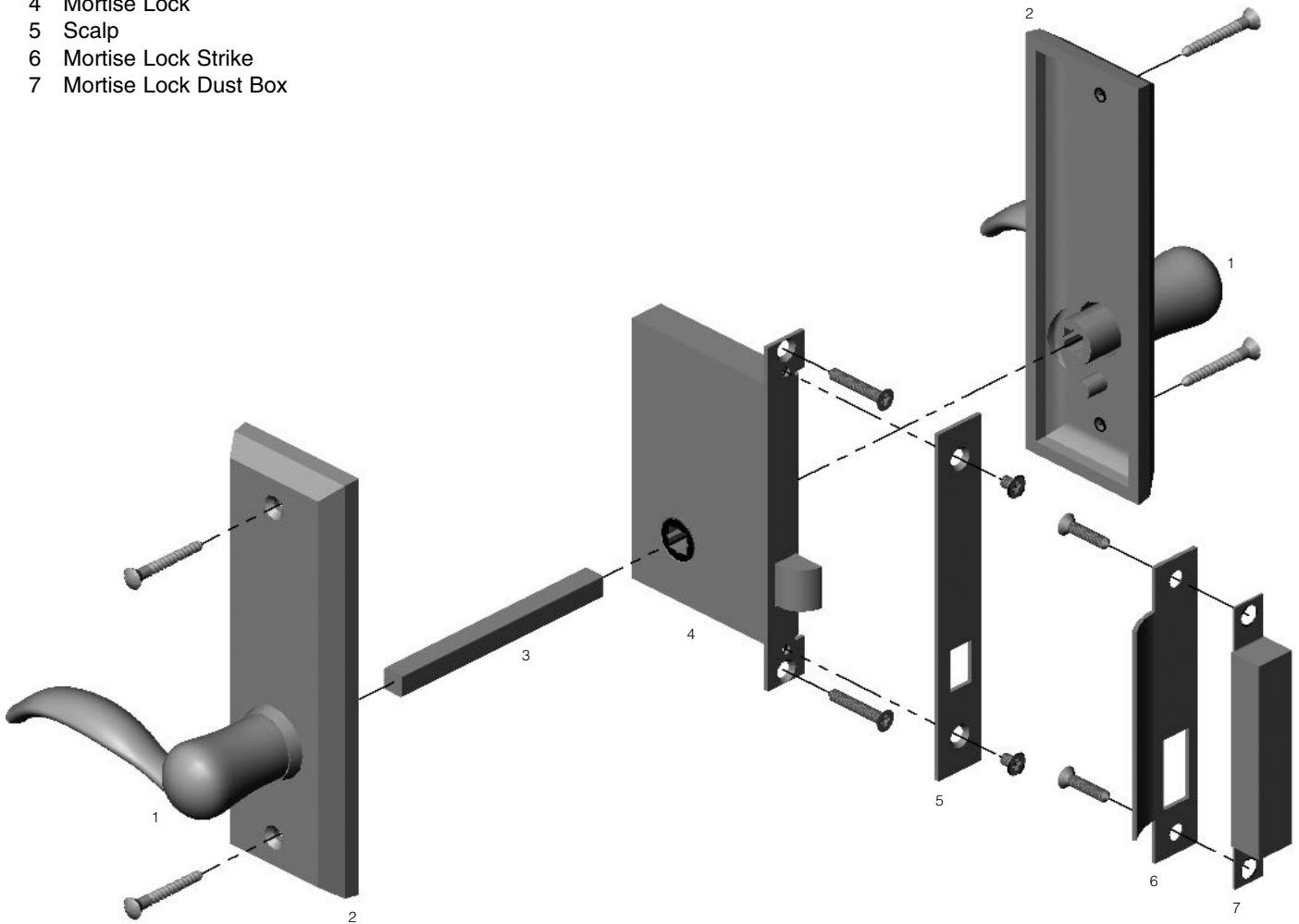
E315 = 2" x 6" Stepped
E317 = 2" x 6" Stepped (ER)
E316 = 2" x 6" Stepped (TP)

Key

(ER) = Emergency Release
Escutcheon
(TP) = Turn Piece Escutcheon

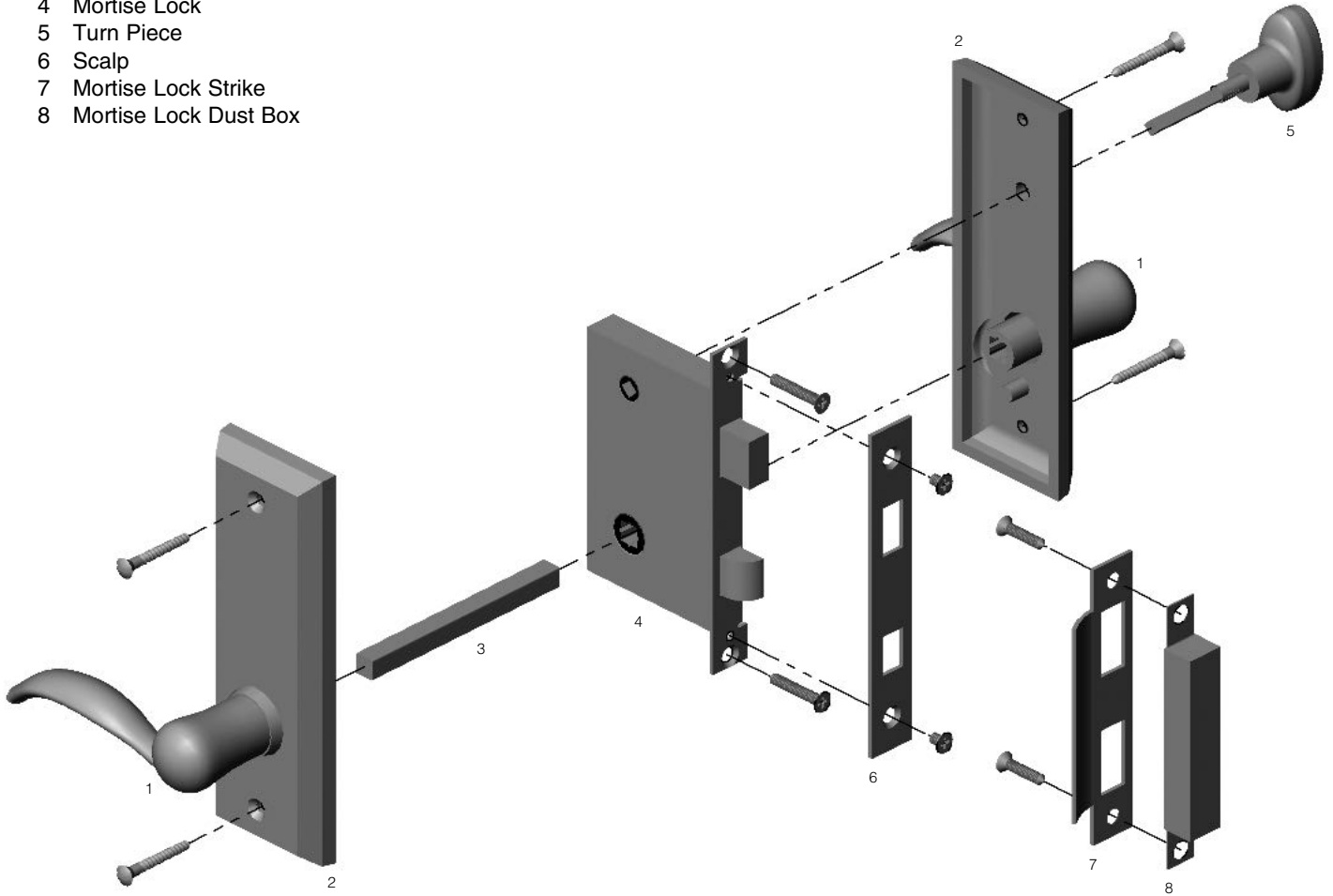
Passage Mortise Lock Set—Lever to Lever

- 1 Lever
- 2 Escutcheon
- 3 Straight Spindle
- 4 Mortise Lock
- 5 Scalp
- 6 Mortise Lock Strike
- 7 Mortise Lock Dust Box



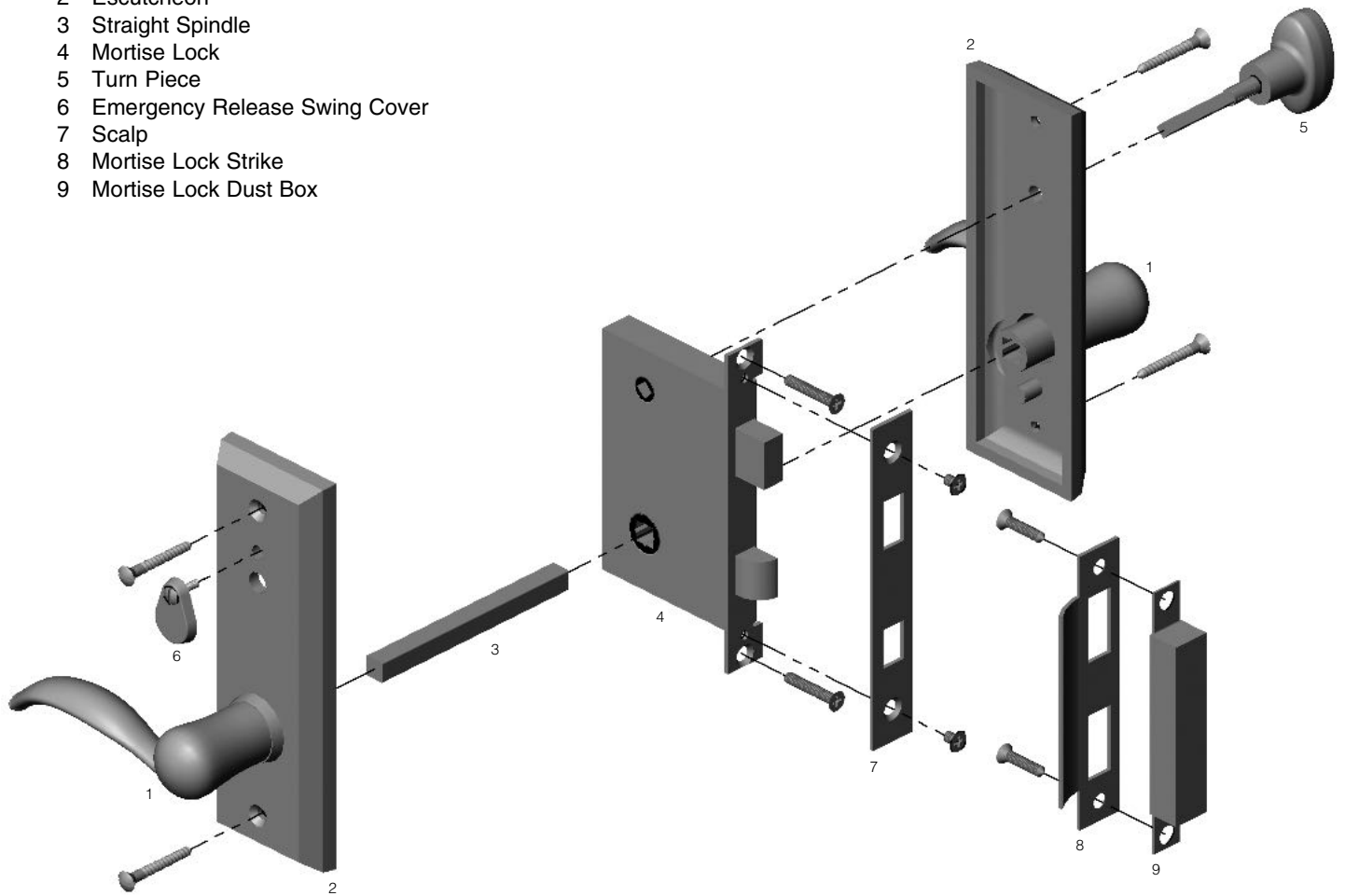
Patio Mortise Lock Set—Lever to Lever

- 1 Lever
- 2 Escutcheon
- 3 Straight Spindle
- 4 Mortise Lock
- 5 Turn Piece
- 6 Scalp
- 7 Mortise Lock Strike
- 8 Mortise Lock Dust Box



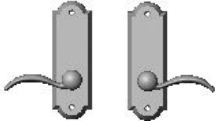
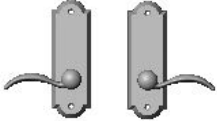
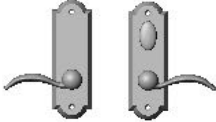
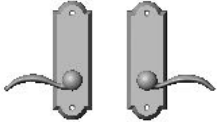
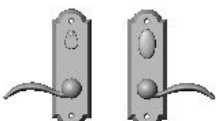
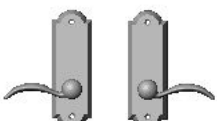
Privacy Mortise Lock Set—Lever to Lever

- 1 Lever
- 2 Escutcheon
- 3 Straight Spindle
- 4 Mortise Lock
- 5 Turn Piece
- 6 Emergency Release Swing Cover
- 7 Scalp
- 8 Mortise Lock Strike
- 9 Mortise Lock Dust Box

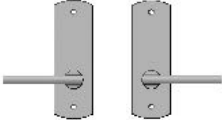
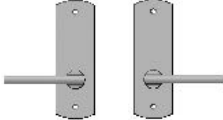
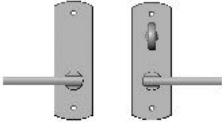
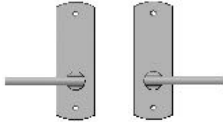

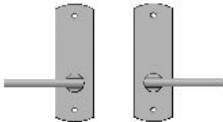


Note: Cut Shank on Turn Piece so that it goes halfway through the Mortise Lock. This will allow a space for the emergency release key to operate the Dead Bolt.


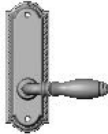




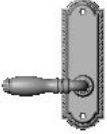



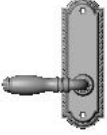
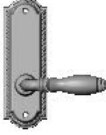
- Price includes your choice of lever. Knobs not recommended.
- Combinations are shown with LW40 Mini Classic Lever for illustration purposes only. Refer to Page *Jii* for available levers.
- Refer to website for door preparatory specifications. Call RMH to verify compatibility of each escutcheon with pre-existing door conditions.
- When applicable, specify maximum projection requirements.
- Specify metal, patina, handing, backset, door thickness, and lock type.
- Requires a minimum of 1 1/8" door thickness.
- Available in 1 1/2", 1 3/4", or 2" backset.

	ACTIVE	DUMMY	ESCUTCHEON OPTIONS
A	 E710 E710	 E710 E710	A 2" x 6" Arched Escutcheon E710 / E710 Passage Mortise Lock . . . \$858.00 E710 Single Dummy \$257.00 E710 / E710 Full Dummy \$513.00 Refer to spec page B14
B	 E710 E711	 E710 E710	B 2" x 6" Arched Escutcheon E710 / E711 Patio Mortise Lock \$955.00 E710 Single Dummy \$257.00 E710 / E710 Full Dummy \$513.00 Refer to spec page B14
C	 E712 E711	 E710 E710	C 2" x 6" Arched Escutcheon E712 / E711 Privacy Mortise Lock \$966.00 E710 Single Dummy \$257.00 E710 / E710 Full Dummy \$513.00 Refer to spec page B14

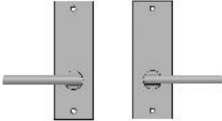
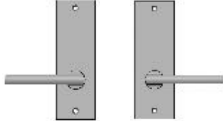
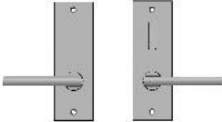
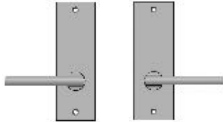
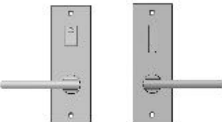
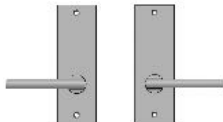
- Price includes your choice of lever. Knobs not recommended.
- Combinations are shown with LB60 Mini Olympus Lever for illustration purposes only. Refer to Page *Jii* for available levers.
- Refer to website for door preparatory specifications. Call RMH to verify compatibility of each escutcheon with pre-existing door conditions.
- When applicable, specify maximum projection requirements.
- Specify metal, patina, handing, backset, door thickness, and lock type.
- Requires a minimum of 1 1/8" door thickness.
- Available in 1 1/2", 1 3/4", or 2" backset.

	ACTIVE	DUMMY	ESCUTCHEON OPTIONS
A	 E515 E515	 E515 E515	A 2" x 6" Curved Escutcheon E515 / E515 Passage Mortise Lock . . . \$858.00 E515 Single Dummy \$257.00 E515 / E515 Full Dummy \$513.00 Refer to spec page B46
B	 E515 E516	 E515 E515	B 2" x 6" Curved Escutcheon E515 / E516 Patio Mortise Lock \$955.00 E515 Single Dummy \$257.00 E515 / E515 Full Dummy \$513.00 Refer to spec page B46
C	 E517 E516	 E515 E515	C 2" x 6" Curved Escutcheon E517 / E516 Privacy Mortise Lock \$966.00 E515 Single Dummy \$257.00 E515 / E515 Full Dummy \$513.00 Refer to spec page B46

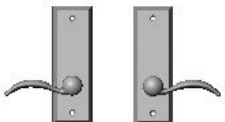
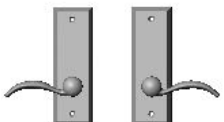
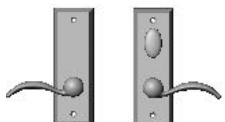
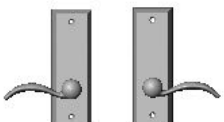
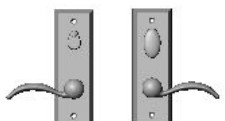
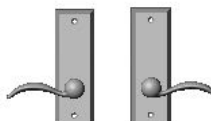
- Price includes your choice of lever. Knobs not recommended.
- Combinations are shown with LW05 Mini Ellis Lever for illustration purposes only. Refer to Page *Jii* for available levers.
- Refer to website for door preparatory specifications. Call RMH to verify compatibility of each escutcheon with pre-existing door conditions.
- When applicable, specify maximum projection requirements.
- Specify metal, patina, handing, backset, door thickness, and lock type.
- Requires a minimum of 1 1/8" door thickness.
- Available in 1 1/2", 1 3/4", or 2" backset.

	ACTIVE	DUMMY	ESCUTCHEON OPTIONS
A	  E015 E015	  E015 E015	A 2" x 6" Ellis Escutcheon E015 / E015 Passage Mortise Lock . . . \$1039.00 E015 Single Dummy \$346.00 E015 / E015 Full Dummy \$691.00 Refer to spec page B65
B	  E015 E016	  E015 E015	B 2" x 6" Ellis Escutcheon E015 / E016 Patio Mortise Lock \$1137.00 E015 Single Dummy \$346.00 E015 / E015 Full Dummy \$691.00 Refer to spec page B65
C	  E017 E016	  E015 E015	C 2" x 6" Ellis Escutcheon E017 / E016 Privacy Mortise Lock \$1148.00 E015 Single Dummy \$346.00 E015 / E015 Full Dummy \$691.00 Refer to spec page B65






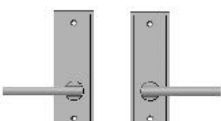
- Price includes your choice of lever. Knobs not recommended.
- Combinations are shown with LB60 Mini Olympus Lever for illustration purposes only. Refer to Page *Jii* for available levers.
- Refer to website for door preparatory specifications. Call RMH to verify compatibility of each escutcheon with pre-existing door conditions.
- When applicable, specify maximum projection requirements.
- Specify metal, patina, handing, backset, door thickness, and lock type.
- Requires a minimum of 1 1/8" door thickness.
- Available in 1 1/2", 1 3/4", or 2" backset.

	ACTIVE	DUMMY	ESCUTCHEON OPTIONS
A	 E215 E215	 E215 E215	A 2" x 6" Metro Escutcheon E215 / E215 Passage Mortise Lock . . . \$858.00 E215 Single Dummy \$257.00 E215 / E215 Full Dummy \$513.00 Refer to spec page B95
B	 E215 E216	 E215 E215	B 2" x 6" Metro Escutcheon E215 / E216 Patio Mortise Lock \$955.00 E215 Single Dummy \$257.00 E215 / E215 Full Dummy \$513.00 Refer to spec page B95
C	 E217 E216	 E215 E215	C 2" x 6" Metro Escutcheon E217 / E216 Privacy Mortise Lock \$966.00 E215 Single Dummy \$257.00 E215 / E215 Full Dummy \$513.00 Refer to spec page B95

- Price includes your choice of lever. Knobs not recommended.
- Combinations are shown with LW40 Mini Classic Lever for illustration purposes only. Refer to Page Jii for available levers.
- Refer to website for door preparatory specifications. Call RMH to verify compatibility of each escutcheon with pre-existing door conditions.
- When applicable, specify maximum projection requirements.
- Specify metal, patina, handing, backset, door thickness, and lock type.
- Requires a minimum of 1 1/8" door thickness.
- Available in 1 1/2", 1 3/4", or 2" backset.

	ACTIVE	DUMMY	ESCUTCHEON OPTIONS
A	 E405 E405	 E405 E405	A 2" x 6" Rectangular Escutcheon E405 / E405 Passage Mortise Lock . . . \$858.00 E405 Single Dummy \$257.00 E405 / E405 Full Dummy \$513.00 Refer to spec page B109
B	 E405 E406	 E405 E405	B 2" x 6" Rectangular Escutcheon E405 / E406 Patio Mortise Lock \$955.00 E405 Single Dummy \$257.00 E405 / E405 Full Dummy \$513.00 Refer to spec page B109
C	 E407 E406	 E405 E405	C 2" x 6" Rectangular Escutcheon E407 / E406 Privacy Mortise Lock \$966.00 E405 Single Dummy \$257.00 E405 / E405 Full Dummy \$513.00 Refer to spec page B109

- Price includes your choice of lever. Knobs not recommended.
- Combinations are shown with LB60 Mini Olympus Lever for illustration purposes only. Refer to Page *Jii* for available levers.
- Refer to website for door preparatory specifications. Call RMH to verify compatibility of each escutcheon with pre-existing door conditions.
- When applicable, specify maximum projection requirements.
- Specify metal, patina, handing, backset, door thickness, and lock type.
- Requires a minimum of 1 1/8" door thickness.
- Available in 1 1/2", 1 3/4", or 2" backset.

	ACTIVE	DUMMY	ESCUTCHEON OPTIONS
A	 E315 E315	 E315 E315	A 2" x 6" Stepped Escutcheon E315 / E315 Passage Mortise Lock . . . \$858.00 E315 Single Dummy \$257.00 E315 / E315 Full Dummy \$513.00 Refer to spec page B117
B	 E315 E316	 E315 E315	B 2" x 6" Stepped Escutcheon E315 / E316 Patio Mortise Lock \$955.00 E315 Single Dummy \$257.00 E315 / E315 Full Dummy \$513.00 Refer to spec page B117
C	 E317 E316	 E315 E315	C 2" x 6" Stepped Escutcheon E317 / E316 Privacy Mortise Lock \$966.00 E315 Single Dummy \$257.00 E315 / E315 Full Dummy \$513.00 Refer to spec page B117