

SCHLAGE

CO-100

Standalone electronic lock



Images shown are not to scale.

Overview

The CO Series provides ideal solutions for customers seeking the added security and convenience of electronic access control without the cost or complexity of a fully networked system. Within this group is CO-100, a standalone lock that is manually programmable. User rights are stored on the lock with unique PIN codes assigned to each user. This minimizes the number of mechanical keys issued which protects the integrity of your key system. PIN codes can be easily added or deleted at anytime, right at the door.

The CO-100 from Schlage is versatile enough to use anywhere. In the classroom/storeroom function, it is fully outdoor rated and can be used for gate or breezeway access. CO-100 privacy function locks can be programmed to show occupancy indication for applications such as dressing areas or bathrooms. And office function locks can be set up for remote release making them perfect for vestibules or waiting rooms.

Cylindrical, mortise, and exit trim chassis options are available. The series is compatible with many popular brands of exit devices and offered in a wide variety of finishes and levers to suite with your existing hardware. Mechanical key override is standard and compatible with multiple cylinder types.

CO Series has been tested to the highest standards in the industry to ensure the quality and reliability you have come to expect from Schlage. The CO Series is ANSI/BHMA A156.25, ANSI/BHMA Grade 1 certified and UL 294 Listed.

¹ Applies to 70 function only.

² Applies to cylindrical and mortise chassis only.

³ Available on office function locks manufactured after 1/1/2018 with firmware version 2.6.2 or higher.

⁴ Available on privacy function locks manufactured after 9/30/2018 with firmware version 2.7.0 or higher.

Features and benefits

- Manually programmable
- Up to 500 unique 3-6 digit PIN codes stored on the lock
- ANSI/BHMA A156.25 (full outdoor¹), ANSI/BHMA Grade 1 certified, UL 294 and UL 10C listed, hurricane wind and impact rated²
- Classroom/storeroom, office and privacy functions available
- Chassis options include cylindrical, mortise, and exit trim
- Compatible with most major brands of key systems and exit devices
- Hard wired, remote release push button capability³
- Programmable option for lighted occupancy indication⁴
- Three levels of user authority
- Normal, toggle, pass through, and freeze credential attributes available
- LED indicator visually communicates lock status
- Fully outdoor rated in 70 function for use on pool gates and breezeways

CO-100 electronic lock specifications

| | |
|--|---|
| Users | 500 |
| Credential verification time (keypad only) | ≤ 1 second |
| Visual/audible communications | Tri-colored LED's and audible indicators |
| Power supply | 4 AA batteries (standard off the shelf; included) |
| Battery life | Up to 2 yrs with 4 AA batteries |
| Operating temperature - exterior | -31° to 151°F (-35° to 66°C) |
| Operating temperature - interior | -31° to 151°F (-35° to 66°C) |
| Operating humidity | 0 - 100% non-condensing |
| Certifications | ANSI/BHMA A156.25 (full outdoor ¹), ANSI/BHMA Grade 1, UL 294, UL 10C, UL Canada, FCC Part 15, FL12400 ² , FL1591 ² , FL13013 ² and FL14482 ² ADA and RoHS |

Functions

- Classroom/storeroom
- Office
- Privacy

Standard status signals

- Battery status—indicated by flashing LED lights
- Access granted/access denied
- Programming commands
- Occupied—indicated by red LED light (privacy function only)

Programming and use options

| Function code | User level | Description |
|------------------|-----------------------|--|
| PIN ³ | Basic | Unlocks the lock momentarily when in a normally secured state. |
| Programming | Manager/administrator | Initiates all programming actions (can be changed by administrator) |
| User changes | Manager/administrator | Assigns or deletes user PINs for the lock |
| Toggle | Manager/administrator | Changes the lock to an unlocked state and back when desired |
| Freeze | Administrator | Maintains the lock in current state until code is re-entered (cannot be toggled) |
| Pass through | Administrator | Unlocks the lock momentarily regardless of current state |
| Other | Administrator | Includes change relock delay period; change PIN length; disable/enable beeper; disable/enable remote release ⁴ ; disable/enable LED occupancy indication ⁵ |

¹ Applies to 70 function only.

² Applies to cylindrical and mortise chassis only.

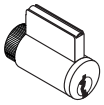
³ Credentials can be 3-6 digits in length.

⁴ Remote release feature available on office function only.

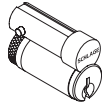
⁵ Occupancy indication feature available on privacy function only.

Mechanical specifications

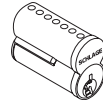
| Chassis | Cylindrical | Mortise | Exit trim |
|-------------------------------------|---|---|-------------------------|
| Handing | Handed to order, field reversible | | |
| ANSI standard (Meets or exceeds) | A156.25 A156.2 Series 4000 Grade 1 | A156.25 A156.13 Series 1000 Grade 1 | A156.25 A156.3 |
| Door thickness | 1 3/4" standard, 1 3/8" to 2 3/4" optional (available in 1/8" increments) | | |
| Backset | Standard: 2 3/4" Optional: 2 3/8", 3 3/4", 5" | 2 3/4" only | Defined by exit device |
| Latch bolt | Standard: 1/2" throw Optional: 3/4" throw | Standard: 3/4" throw | Provided by exit device |
| Levers | Pressure cast zinc, plated | | |
| Strike | Standard: 1 3/16" lip, ANSI, 1 1/4" x 4 7/8" Optional: Additional configurations available please see price book | | Provided by exit device |
| Cylinder and keys | Schlage 6-pin Everest 29 S123 keyway Conventional cylinder with two patented keys standard. Additional options available including SFIC, FSIC and competitor brands. See lever and cylinder compatibility data sheet (010432) | | |
| Exit device compatibility | See CO Series exit trim compatibility data sheet (004183) | | |



Full cylinder

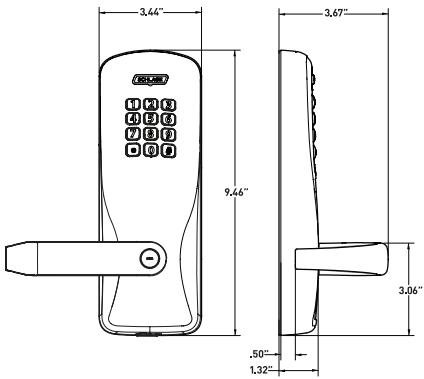


Full Size
Interchangeable Core

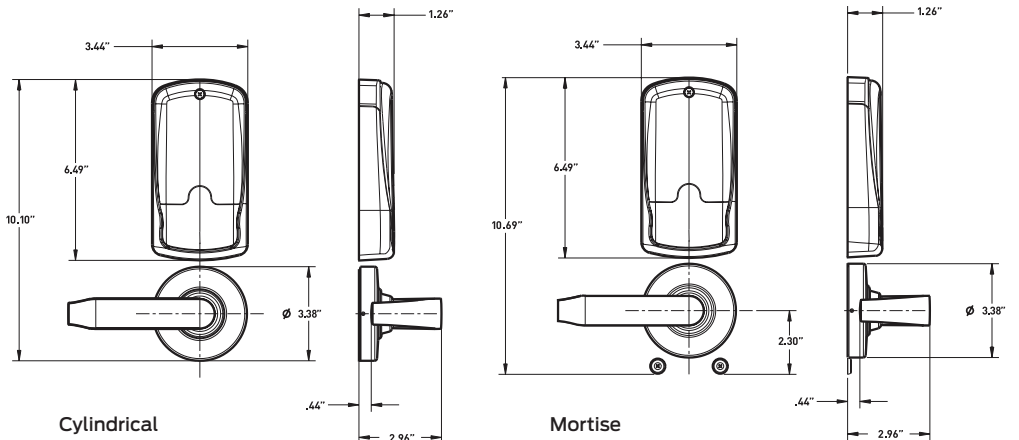


Small Format
Interchangeable Core

Exterior of the lock



Interior of the lock



Ordering information

Available through one of our GSA schedule 84 approved distributions

| Required fields | | | | | Factory defaults and options | | | | | | | |
|--|-------|---------|----------|--------|------------------------------|--------|----------------|-------------|---------|-------------------|--------|----------------|
| CO-100-CY-70-KP-SPA-626-PD-S123-RH-13-049-10-025-1 3/4 | | | | | | | | | | | | |
| Series | Class | Chassis | Function | Reader | Lever style | Finish | Lever cylinder | Keying type | Handing | Backset and latch | Strike | Door thickness |
| 1 | 2 | 3 | 4 | 5 | 6 | 7 | 8 | 9 | 10 | 11 | 12 | 13 |

Selections correspond with the numbers above

Standard options are indicated in bold. See price book for specific configuration options.

| | |
|-----------|-------------------------|
| 3 | Chassis |
| CY | Cylindrical |
| MS | Mortise |
| 993R | Exit trim – Rim/CVR/CVC |
| 993S | Exit trim – SVR |
| 993M | Exit trim – mortise |
| 993DT | Exit dummy trim |
| 4 | Function |
| 70 | Classroom/storeroom |
| 50 | Office |
| 40 | Privacy |
| 5 | Reader |
| KP | Keypad |
| 6 | Lever |
| ATH | Athens |
| BRK | Boardwalk |
| BRW | Broadway |
| LAT | Latitude |
| LON | Longitude |
| RHO | Rhodes |
| SPA | Sparta |
| TLR | Tubular |

Available with tactile warning options

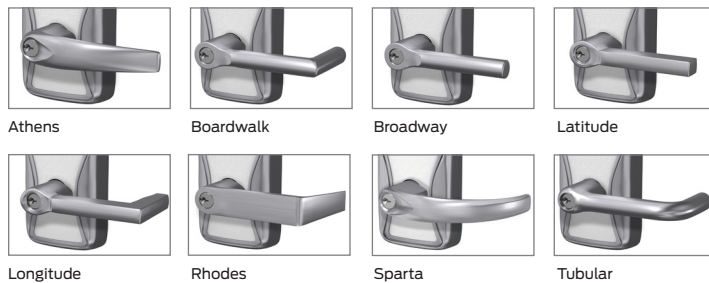
| | |
|---|---|
| 7 | Finish |
| 626 | Satin chrome |
| 605 | Bright brass |
| 606 | Satin brass |
| 612 | Satin bronze |
| 619 | Satin nickel |
| 625 | Bright chrome |
| 643e | Aged bronze |
| 626AM | Satin chrome antimicrobial |
| 8 | Lever cylinder type |
| PD | Schlage 6-pin Conventional key-in-lever cylinder |
| See price book for other SFIC, FSIC and less cylinder options available. Compatible with Schlage, Sargent, Corbin, Medeco and Yale. | |
| 9 | Keyway type |
| S123 | Everest 29 |
| See price book for other available keyway options including restricted keyways in Primus XP high security cylinders and master keying | |
| 10 | Handing |
| RH | Right handed |
| RHR | Right handed reverse |
| LH | Left handed |
| LHR | Left handed reverse |

Field reversible

| | |
|---|--|
| 11 | Backset and latch or armor front |
| Cylindrical | |
| 13-049 | 2 3/4" backset, deadlatch, square corner, 1 1/8" x 2 1/4" |
| Mortise | |
| 09-663 | Armor front, 1 1/4" wide, square corner |
| 12 | Strike |
| Cylindrical | |
| 10-025 | 1 3/16" lip, ANSI, no box, 1 1/4" x 4 7/8" |
| Mortise | |
| 10-072 | 1 3/16" lip, 1 1/4" x 4 7/8" square corner, box |
| See price book for other available strikes | |
| 13 | Door thickness |
| 1 3/4" | |
| Other thicknesses available between 1 3/8" and 2 3/4" | |
| See price book for details | |

Lever styles

Conventional cylinders shown, SFIC and FSIC also available.

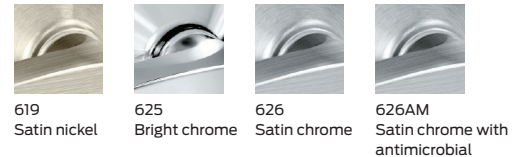


Finishes

Warm tone finishes



Cool tone finishes



Allegion, the Allegion logo, Schlage, the Schlage logo, Von Duprin and Falcon are trademarks of Allegion plc, its subsidiaries and/or affiliates in the United States and other countries. All other trademarks are the property of their respective owners.

About Allegion

Allegion (NYSE: ALLE) is a global pioneer in safety and security, with leading brands like CISA®, Interflex®, LCN®, Schlage®, SimonsVoss® and Von Duprin®. Focusing on security around the door and adjacent areas, Allegion produces a range of solutions for homes, businesses, schools and other institutions. Allegion is a \$2 billion company, with products sold in almost 130 countries. For more, visit www.allegion.com.

KRYPTONITE ■ LCN ■ SCHLAGE ■ STEELCRAFT ■ VON DUPRIN



ALLEGION™

© 2019 Allegion
004186, Rev.12/19
www.allegion.com/us