



# Schlage Control™ smart lock

Mobile enabled wireless  
deadbolt and  
interconnected lock



## Overview

The Schlage Control™ mobile enabled smart lock was designed specifically for multifamily resident doors. It allows properties to offer smart security to residents and intelligent efficiency to property managers.

Residents will appreciate the security and convenience of using a smart device and/or smart credentials to open their doors today. And, through new compatibility with BLE mobile credentials built in, Schlage makes it possible for software providers to enable residents to arrange in-unit package delivery and other services in the future.\*

The open architecture capabilities of Schlage Control mobile enabled smart locks offer properties the freedom to use the physical access control (PACS) provider of their choice to manage security and a wide spectrum of needs. Through these providers, properties are able to extend the possibilities of their locks beyond security.

For a simpler solution, managing access rights couldn't be easier than by using the ENGAGE™ cloud-based mobile or web apps. Staff can configure and manage access from virtually anywhere. And with the capability to view history of access, get usage data, receive alerts and more, ENGAGE improves the intelligence and productivity of the staff and property.

Schlage Control mobile enabled smart locks are part of an extensive portfolio from Allegion™, which offers solutions for every opening within a multifamily property.

\*Dependent on PACS provider integrations and capabilities. Go to [us.allegion.com/alliances](http://us.allegion.com/alliances) for more information.

## Features

- New mobile enabled Schlage Control is ready for the future with the ability to read mobile and smart credentials
- Deadbolt (BE467F) and interconnected lock (FE410F) options
- Two styles with a broad selection of finishes and decorative lever designs
- Eliminates cost and hassle of managing keys
- AES-256 encryption keeps data and communications safe
- Interconnected lock provides single motion egress to comply with regional requirements
- Lock programming via smartphone or tablet (Bluetooth® connection)
- Supports networked (Gateway required), No-Tour and standalone applications

### **CYBERSECURITY**

Learn about Allegion's commitment

## Design and style

Schlage Control™ mobile enabled smart locks have style options to fit the design of any property and offer full suiting with Schlage decorative mechanical locks and other Allegion solutions.

### Finish options



619 Satin nickel    622 Matte black    625 Bright chrome    626 Satin chrome    716 Aged bronze

### BE467F - Addison



### BE467F - Greenwich



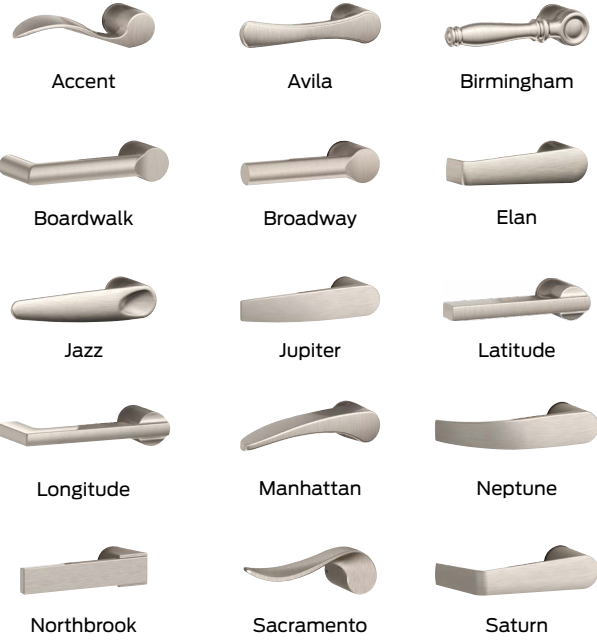
### FE410F - Addison



### FE410F - Greenwich



### FE410F lever options

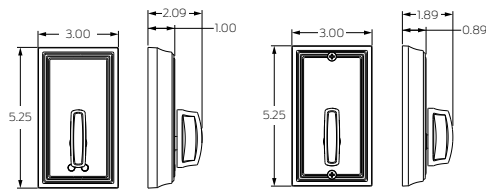


Note: Reference current pricebook to confirm finishes available by lever style.

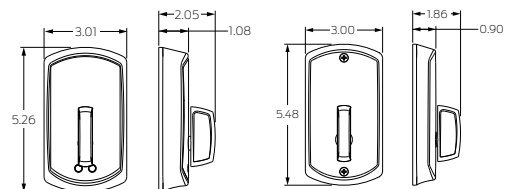
## Dimensional drawings

### BE467F

Addison - exterior / interior

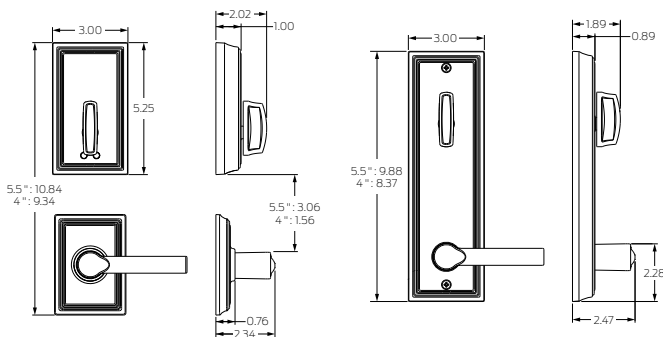


Greenwich - exterior / interior

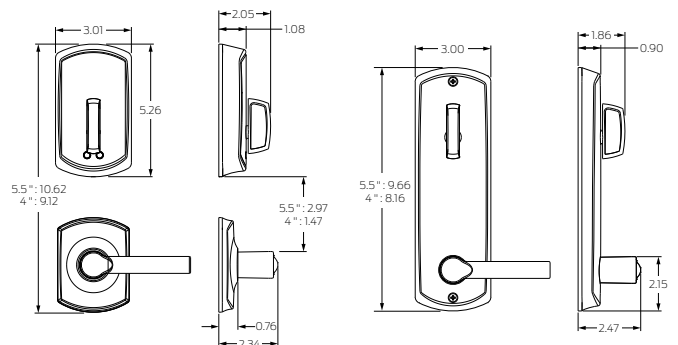


### FE410F

Addison - 5.5" and 4" exterior / interior



Greenwich - 5.5" and 4" exterior / interior



## Choice offers control

By offering the ENGAGE cloud-based web and mobile apps **and** working with the industry's best-in-class access control providers we give properties the freedom to choose.

### ENGAGE™ web and mobile applications



Simple and convenient site set-up and allows management of properties from virtually anywhere.

- Configure lock/device settings
- Add new users and enroll credentials
- Manage users and assign access privileges
- Assign lock/user schedules and holidays
- View and export audits

### PACS provider solutions

Schlage Control mobile enabled smart locks are designed with open architecture capabilities. Because of this, multifamily properties have the flexibility to select the integrated physical access management system (PACS) that best suits their needs and budget.

Visit [us.allegion.com/alliances](http://us.allegion.com/alliances) for more information on our PACS providers and their capabilities.

## Credentials

Residents are able to use a smart credential (fob, card or wristband) and/or a smart device to unlock their Schlage Control™ mobile enabled smart lock – eliminating the need for traditional keys and saving properties time and money.



## Specifications

### Electronic specifications

Users	Up to 500 <sup>1</sup>
Audits	Up to 1,000 <sup>2</sup>
Visual and audible communications	Exterior LED (red, amber, green) Audible indicator (field configurable)
Communication standards	<ul style="list-style-type: none"> <li>▪ Bluetooth low energy (version 4.2)</li> <li>▪ Advanced Encryption Standard (AES), 256-bit</li> </ul>
Gateway communication range (networked solution)	Up to 30' in typical building environments. A detailed site survey is recommended.
Wake-Up on Radio	Responds to command from host in less than 5 seconds when linked to ENGAGE Gateway (requires PACS provider solution)
Connectivity options	<ul style="list-style-type: none"> <li>▪ Mobile (send updates at the lock)</li> <li>▪ No-Tour with MT20W enrollment reader and smart credentials<sup>3</sup></li> <li>▪ ENGAGE Gateway (real-time communication)</li> </ul>
Available status signals	Battery status
Battery life	Up to 1 1/2 years (offline mode), up to 1 year (BLE credential enabled); 4 AA batteries included
Operating temperature	Exterior: -31° to 151°F (-35° to 66°C) Interior: 14° to 122°F (-10° to 50°C)
Operating humidity	0 - 100% non-condensing

### Reader specifications

Credential technologies	Smart (13.56 MHz), Bluetooth Low Energy (BLE) (2.4 GHz)
Standards	ISO 14443
Maximum read range	Smart: up to 1.25" Bluetooth Low Energy: up to 15'
Smart credential compatibility	Schlage MIFARE Classic®, Schlage MIFARE Plus®, Schlage MIFARE® DESFire® EV1 with PACSA
Mobile credential compatibility	Schlage Mobile Access Credential with Bluetooth <sup>4</sup> , Integrated PACS mobile credential with Bluetooth <sup>5</sup>

1. Maximum database storage capacity of lock. Can vary by access control software database capacity.
2. Maximum audit storage capacity of lock. Can vary by access control software audit storage capacity.
3. No-Tour applications requires use of 1K byte Schlage MIFARE smart credentials.
4. Supported through ENGAGE
5. Dependent on PACS provider capabilities. Visit [us.allegion.com/alliances](http://us.allegion.com/alliances) for more information

# Specifications

Mechanical specifications	
Handing	Field reversible (FE410F)
Materials	All-metal chassis and escutcheon
Door thickness	1 3/4" only (thick door kit available - up to 2 1/4" for BE467F, up to 2" for FE410F)
Backset	Adjustable backset, fits 2 3/8" to 2 3/4" backsets
Latch	1" x 2 1/4" square and round corner faceplate (round corner standard, square corner included in package) 1" edge bore required
Deadbolt	Standard 1" (25 mm) throw
Strike	1 1/8" x 2 3/4", round corner, no box, latch strike Optional: Additional strike lip lengths and ANSI strike box available
Bore	2 1/8"
Stile width	Minimum 4 1/2" stile for 2 3/8" backset, minimum 5" stile for 2 3/4" backset

Certifications / Warranty	
Certifications	BE467F: ANSI/BHMA A156.36 Grade 2 FE410F: ANSI/BHMA A156.12 Grade 2 ANSI/BHMA A156.5, UL 90 minute, Canada UL 20 minute wood door rated, FCC Part 15 - Class B, FBC; ADA compliant
Warranty	Lifetime limited mechanical and finish 1-year limited electronics

# Ordering information

FE410F - GRW - LAT - 626 - 55

Series	Style	Outside		Inside		Interconnect type	Latch	Strike
		Lever style	Finish	Lever style	Finish			
1	2	3	4	5	6	7	8	9
		FE410F only		FE410F only		FE410F only		

Selections correspond with the numbers above

See price book for specific configuration options.

<b>1 Series</b>	<b>4/6 Finish<sup>1</sup></b>	<b>9 Strike for BE467F</b>
BE467F Schlage Control mobile enabled smart deadbolt	619 Satin nickel	10-116 Round corner strike, 1 1/8" x 2 3/4" - Standard
FE410F Schlage Control mobile enabled smart interconnected lock	622 Matte black	10-094 Square corner strike, 1 1/8" x 2 3/4"
<b>2 Escutcheon style</b>	625 Bright chrome	10-095 Square corner full lip strike, 1 5/8" x 2 1/4" (Lip length: 1 1/8")
ADD Addison	626 Satin chrome	10-092 Round corner full lip strike, 1 5/8" x 2 1/4" (Lip length: 1 1/8")
GRW Greenwich	716 Aged bronze	<b>9 Strike combinations for FE410F</b>
<b>3/5 Lever style<sup>1,2</sup> (for FE410F only)</b>	<b>7 Interconnect type (for FE410F only)</b>	10-121 Combo strike, square corner (10-094 and 10-026) - Standard
ACC Accent LAT Latitude	4" For doors with 4" bore hole spacing (40)	10-109 10-094 and 10-001
VLA Avila LON Longitude	5 1/2" For doors with 5 1/2" bore hole spacing (55)	10-119 10-081 and 10-001
BIR Birmingham MNH Manhattan	<b>8 Latch</b>	10-122 10-116 and 10-027
BRW Broadway NEP Neptune	12-398 Standard for BE467F - 90 min UL Deadbolt latch dual option (sq+rd)	10-123 10-092 and 10-027
BRK Boardwalk NBK Northbrook	12-356 Standard for FE410F - Combo latch, dual option (sq+rd), non-UL bolt, UL latch	10-124 10-095 and 10-027
ELA Elan SAC Sacramento		
JAZ Jazz SAT Saturn		
JUP Jupiter		

1. Only specify one finish if outside and inside are the same.
2. Some levers not available in all finishes - see price book for details.

Allegion, the Allegion logo, ENGAGE technology, the ENGAGE technology logo, Schlage and the Schlage logo are trademarks of Allegion plc, its subsidiaries and/or affiliates in the United States and other countries. All other trademarks are the property of their respective owners.

## About Allegion

Allegion (NYSE: ALLE) is a global pioneer in safety and security, with leading brands like CISA®, Interflex®, LCN®, Schlage®, SimonsVoss® and Von Duprin®. Focusing on security around the door and adjacent areas, Allegion produces a range of solutions for homes, businesses, schools and other institutions. Allegion is a \$2 billion company, with products sold in almost 130 countries. For more, visit [www.allegion.com](http://www.allegion.com).

KRYPTONITE ■ LCN ■  ■ STEELCRAFT ■ VON DUPRIN



© 2020 Allegion  
013252 Rev. 9/20  
[www.allegion.com/us](http://www.allegion.com/us)