

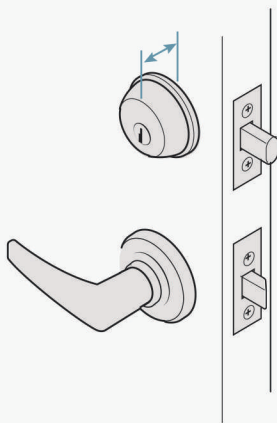
# level Lock

Touch Edition

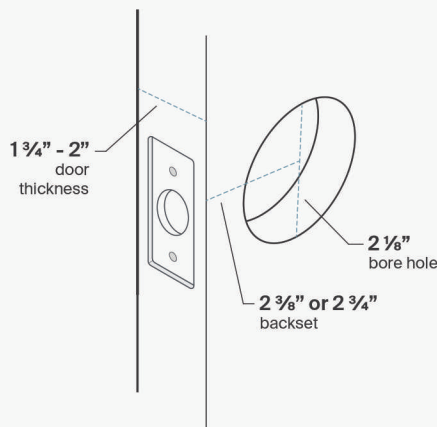
## Will Level Lock - Touch Edition work with my door?

Level Lock - Touch Edition is designed for standard exterior doors that meet ANSI specifications and requires a properly operating door and latch. Visit our interactive compatibility guide or read through the steps below to make sure you have what you need to successfully install your lock. To learn more, visit our [Support page](#).

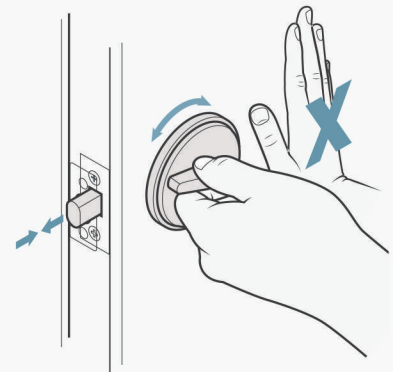
[level.co/compatibility](https://level.co/compatibility)



✓ American standard deadbolt



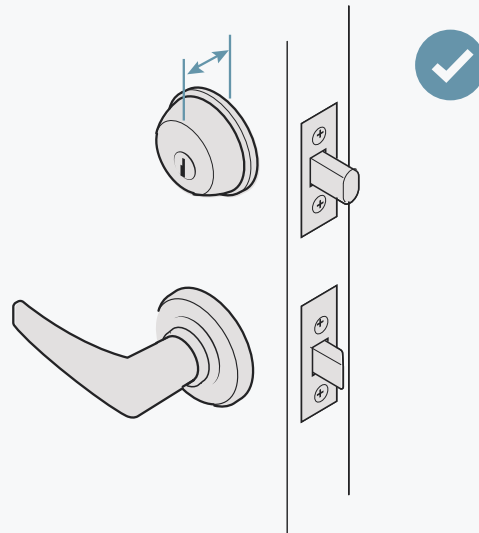
✓ Standard size door



✓ Properly aligned door

# Lock Type

Let's determine your current setup. Review the lock types below to find the kind of lock that looks most like yours.



## Standard Deadbolt

A lock where the deadbolt is separate from the latch or knob and has an exterior profile greater than 2/4" (19mm)

**Low Profile**

A lock that minimizes the projection off the door - generally measuring less than 3/4" (19mm) off of the door surface.

**Tubular**

A lock that presents a visual combination of the latch with the deadbolt. Often the latch works independently of the deadbolt.

**Interlocking**

A lock that combines the latch action with the deadbolt action. When the latch is depressed, it may interact with the deadbolt mechanism.

**Mortise Lock**

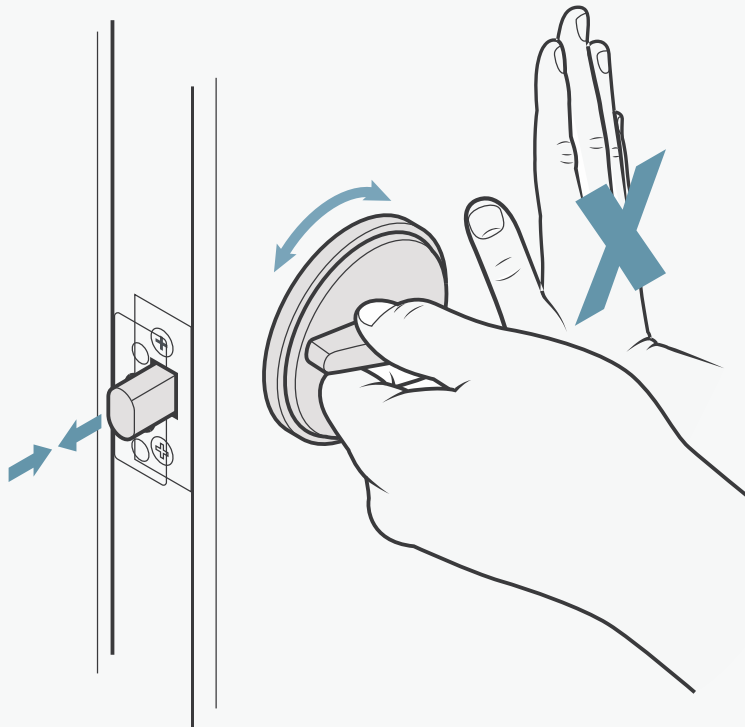
A lock that sits in a pocket that's cut into the edge of the door. From the side view, one large pocket is visible.

- ✓ Most Standard and Low Profile residential deadbolts can be replaced with Level Lock - Touch Edition.
- ✓ Tubular locks vary in design and are not standardized. Level Lock - Touch Edition works with Tubular locks that do not share an exterior faceplate.
- ✗ Interlocking and Mortise Locks are not compatible with Level Lock - Touch Edition. Consider adding Level Lock - Touch Edition to a different door.

## Door Alignment

Over time, doors can become misaligned due to normal wear and tear or changes in weather. All deadbolts need a properly aligned door to operate smoothly.

Let's check your door alignment:



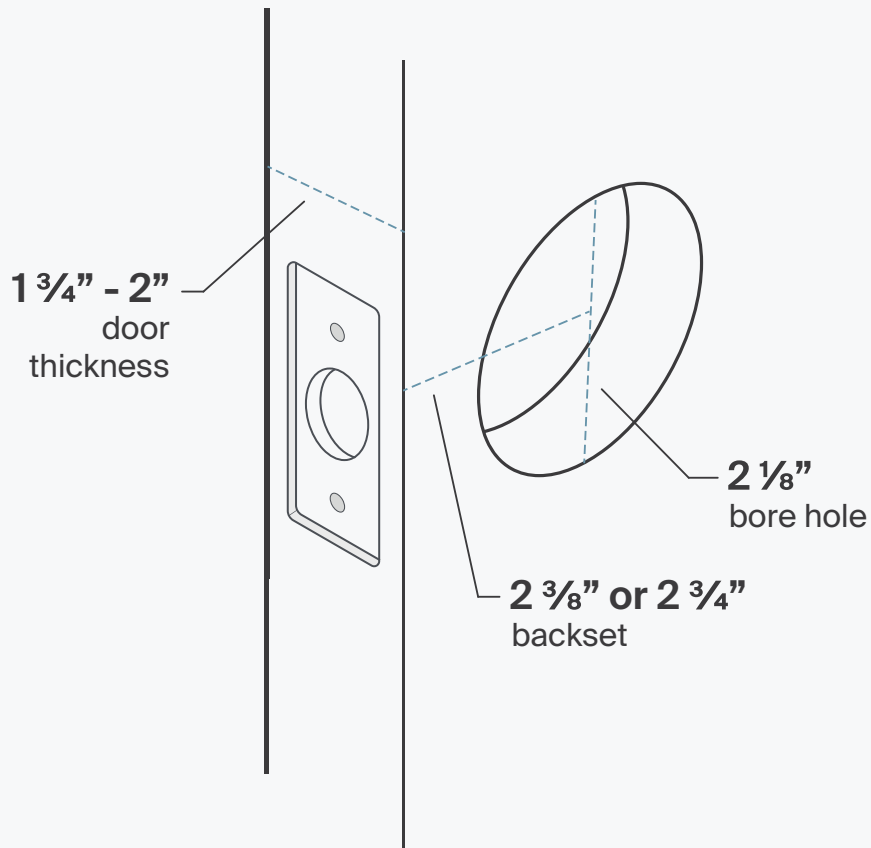
With the door closed in its normal position, does the latch engage properly and hold the door in the closed position? Does the bolt lock and unlock without any friction?

**Tip:** If you need to push or pull on the door so the deadbolt can turn smoothly, your door is misaligned and needs adjusting.

# Door Specifications

Level Lock - Touch Edition is engineered to work with ANSI standard exterior doors.

Make sure your door meets this standard by taking 3 simple measurements:



## REQUIRED MEASUREMENTS:

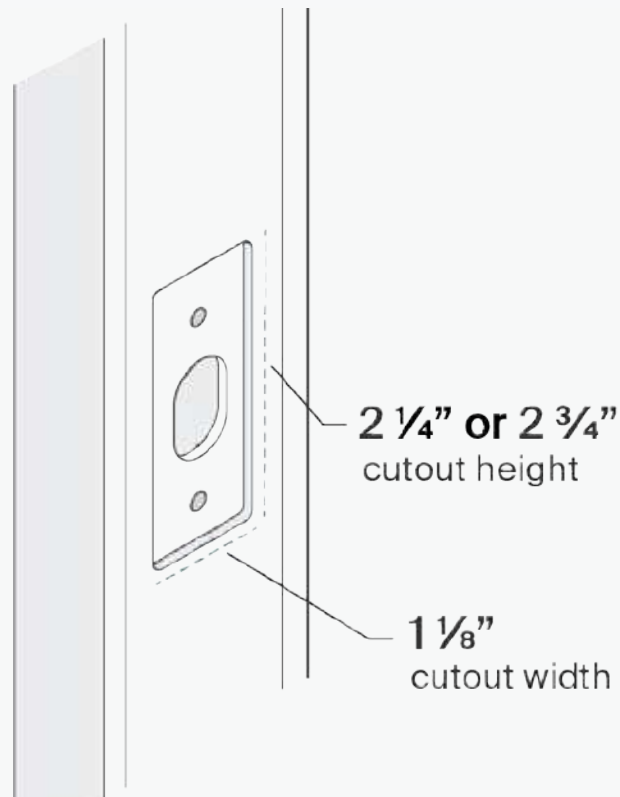
- Door thickness is  $1\frac{3}{4}'' - 2''$  thick
- Bore hole size is  $2\frac{1}{8}''$  in diameter
- Backset length is either  $2\frac{3}{8}''$  or  $2\frac{3}{4}''$

# Door Specifications

(continued)

Level Lock - Touch Edition is engineered to meet ANSI standard strike plate dimensions. The strike plate is located on the door frame and provides additional security for your home.

Make sure your strike plate cut-out meets standard dimensions:

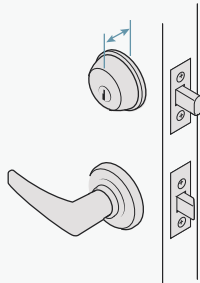


## REQUIRED MEASUREMENTS:

- ANSI standard height of 2 3/4" and width of 1 1/8" (Tall)  
- OR -
- ANSI standard width of 2 1/4" and width of 1 1/8" (Short)

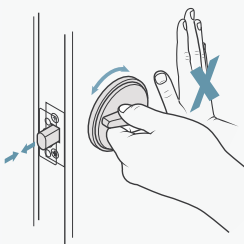
# Compatibility Review

Summarized below are the areas to consider to make your lock installation process as seamless as possible.



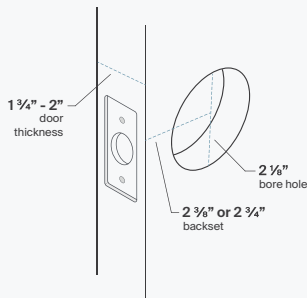
## 1 Lock Type

First, determine your current door setup. Review the lock types to find the kind of lock that looks most like yours.



## 2 Door Alignment

Over time, doors can become misaligned due to normal wear and tear or changes in weather. All deadbolts need a properly aligned door to operate smoothly.



## 3 Door and Strike Plate Specifications

Level Lock - Touch Edition is engineered to work with ANSI standard exterior doors and strike plates.