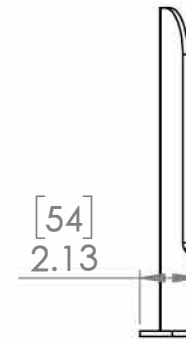
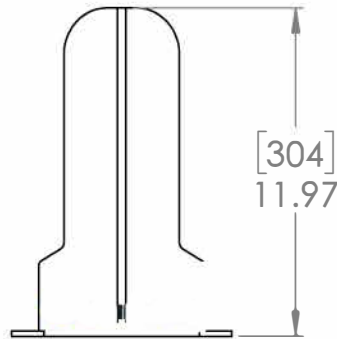
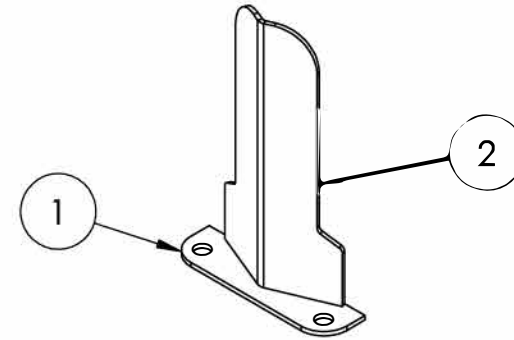
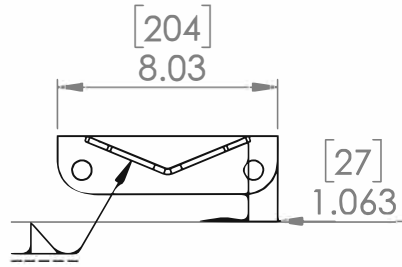



ITEM NO.	PART NUMBER	DESCRIPTION	QTY.
1	P-BASE-SP	Shallow Post Protector Base	1
2	PXX-FG-SP	12" Shallow Profile Formed Guard	1

REVISIONS				
ZONE	REV.	DESCRIPTION	DATE	APPROVED
	C	Renamed and made changes to base and formed guard. Redrawn for clarity.	1/29/2019	EGS



UNLESS OTHERWISE SPECIFIED:		NAME	DATE	 <b>TITLE:</b> 12" Shallow Profile Post Protector
DIMENSIONS ARE IN INCHES [DIMENSIONS] ARE IN MM		DRAWN	EGS 1/29/2019	
TOLERANCES:		CHECKED		
.X ± .12" [3 mm] .XX ± .06" [1.5 mm] .XXX ± .03" [0.7 mm] Angular ± 1°		ENG APPR.		
INTERPRET GEOMETRIC TOLERANCING PER:		MFG APPR.		<b>SIZE</b> DWG. NO. <b>REV</b> <b>A</b> P12-SP <b>C</b>
MATERIAL Mild Steel		Q.A.		
FINISH Yellow Powder Coat		COMMENTS: See Notes		SCALE: NTS WEIGHT: 4.0 LBS SHEET 1 OF 3
DO NOT SCALE DRAWING				