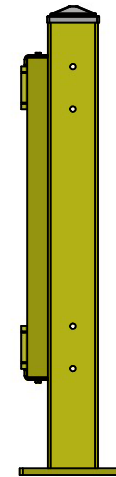
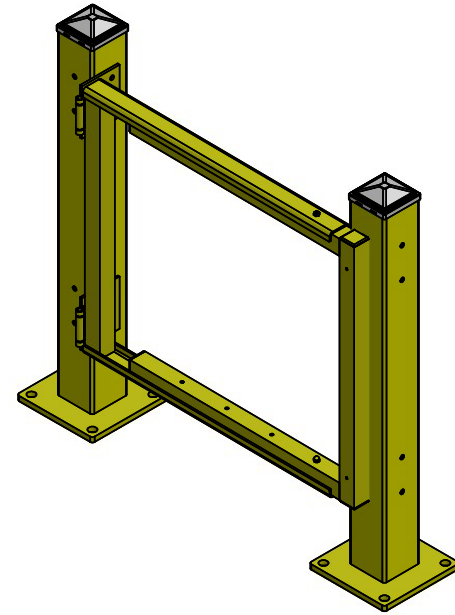


Adjusts to cover up to 52".
Right or Left hand opening.



TITLE:

**Pedestrian
Gate**

SIZE
A

DWG. NO.
SG-3654A

REV
A

SCALE: NTS

WEIGHT: 36 LBS

SHEET 1 OF 1