

Copley Plastic Barstool



Give a touch of elegance to your home bar with the Copley Plastic Bar Stool! Designed in clean simple lines that allude to the Mid Century décor, this stool is perfect for any style. This molded stool has sturdy metal legs with a wood-look finish, assembles in seconds and it is lightweight and durable. The Copley Plastic Bar Stool is available in Black, White and Grey. Sold individually.

- Modern, versatile style that goes with any décor.
- Plastic seat with backrest and footrest for superior comfort.
- Sturdy metal legs with wood look finish.
- Durable and lightweight design that is quick and easy to assemble.

Copley Plastic Barstool



S019502TUK White
EAN: 5060669114215



S019512TUK Grey
EAN: 5060669114222



S019501TUK Black
EAN: 5060669114208

Product Height: 978mm
Width: 432mm
Depth: 457mm
Weight: 6 kg

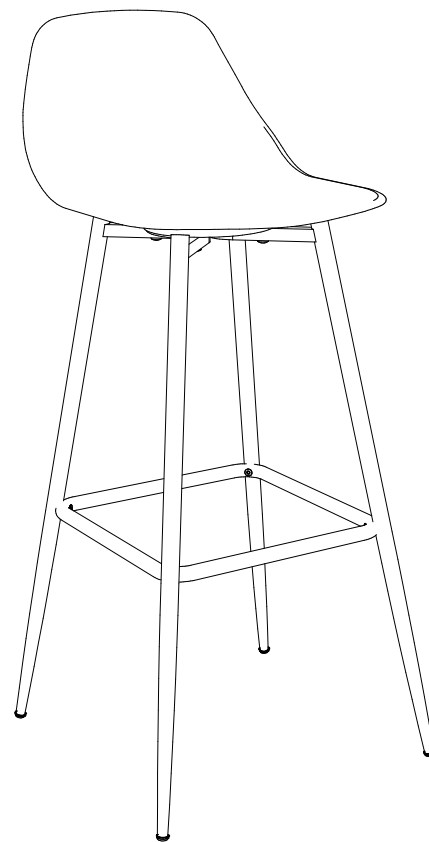
Shipping
Height: 635mm
Width: 406mm
Depth: 229mm
Weight: 7 kg

Plastic Barstool

S019501TUK - Black

S019512TUK - Grey

S019502TUK - White



Weight limit: 250lbs / 113kgs

>> assembly instructions

Congratulations on your latest purchase.

Now what? Don't start sweating over this box of parts. This will be easy. We did the hard work for you. All you need to do is follow our simple instructions and you'll be on your way to transforming your room in no time. Good luck--though we're confident you won't need it.

before you begin

1. Check for damaged or missing parts. Call **01942 524100** to order missing supplies.
2. Use the carton as a working surface to prevent product damage during assembly.
3. Gather all tools prior to assembly.

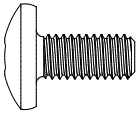
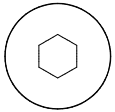
table of contents

introduction	2
hardware	4
parts list	5
assembly	6 - 9

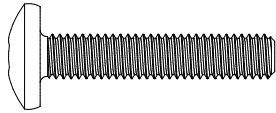
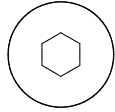
hardware

Hardware Pack# **TS018501-00**

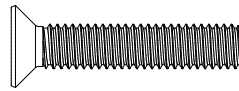
(H1) X 4
M6 bolt



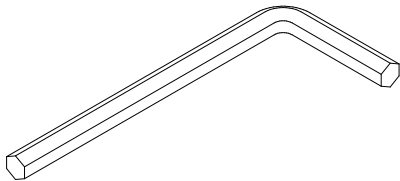
(H2) X 4
M6 bolt



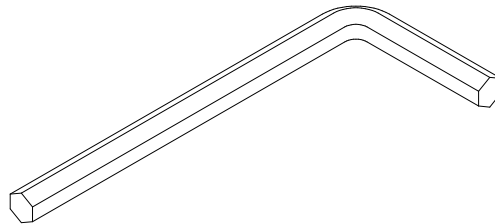
(H3) X 4
M6 Bolt



(H4) X 1
M4 allen key

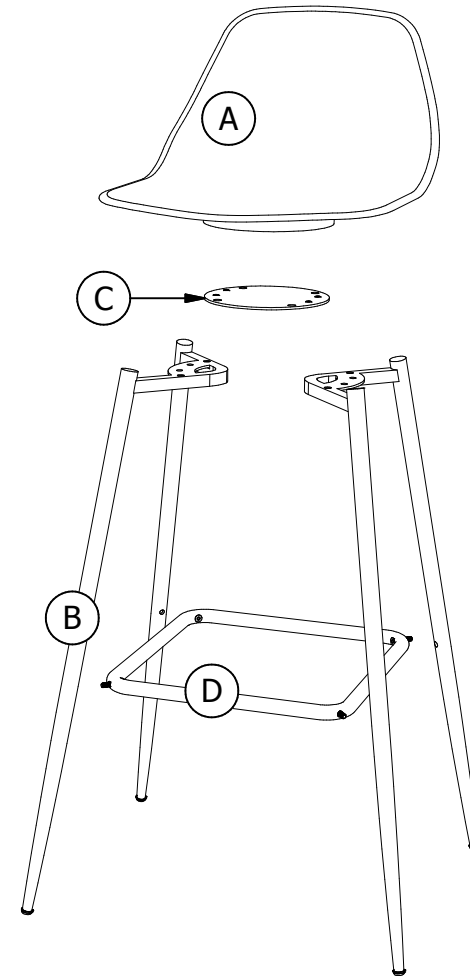


(H5) X 1
M5 allen key

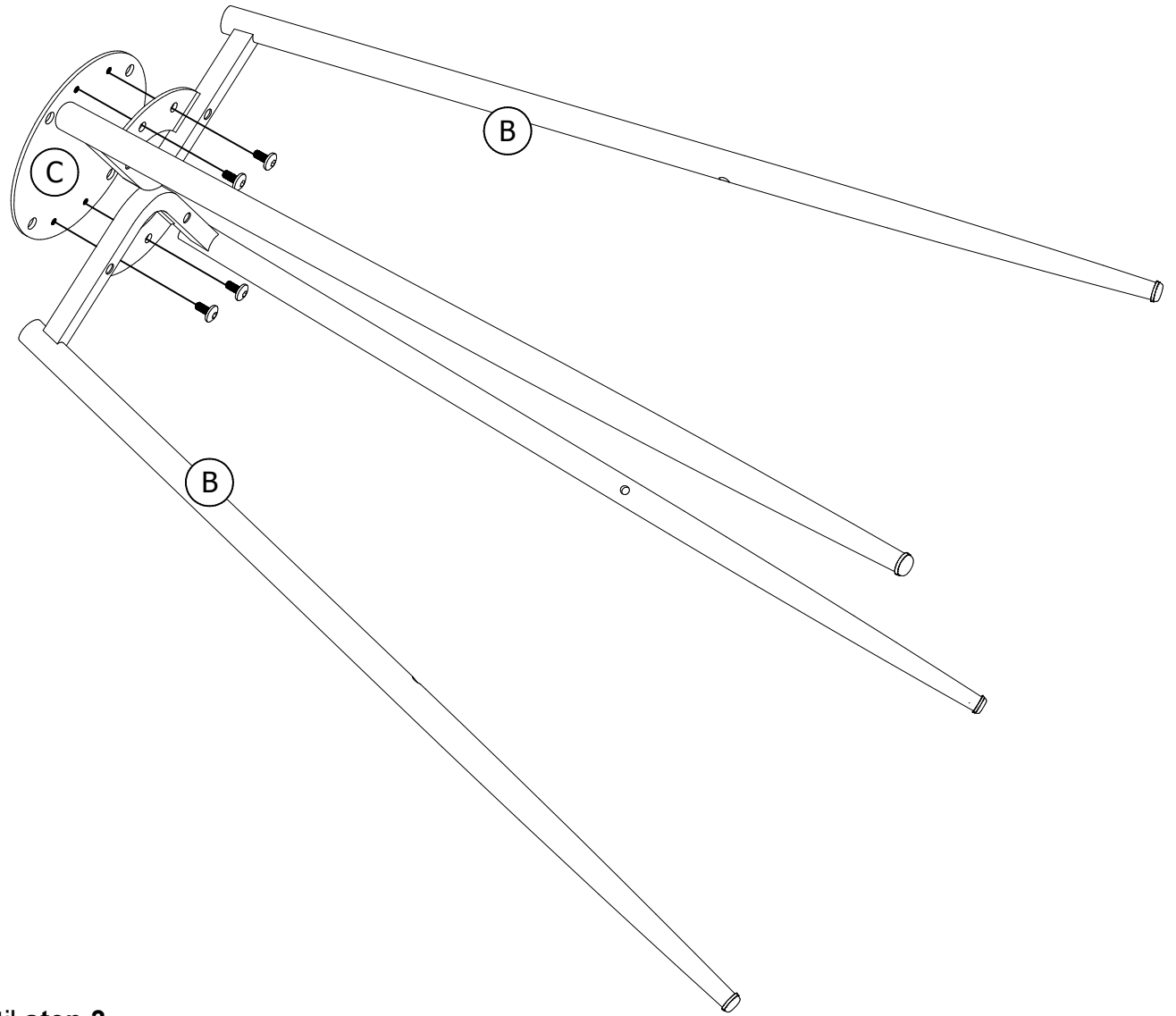


ITEM	DESCRIPTION	QUANTITY
------	-------------	----------

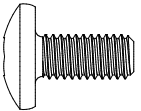
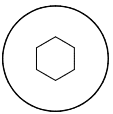
A	seat	1
B	leg	2
C	round plate	1
D	ring stretcher	1



step 1

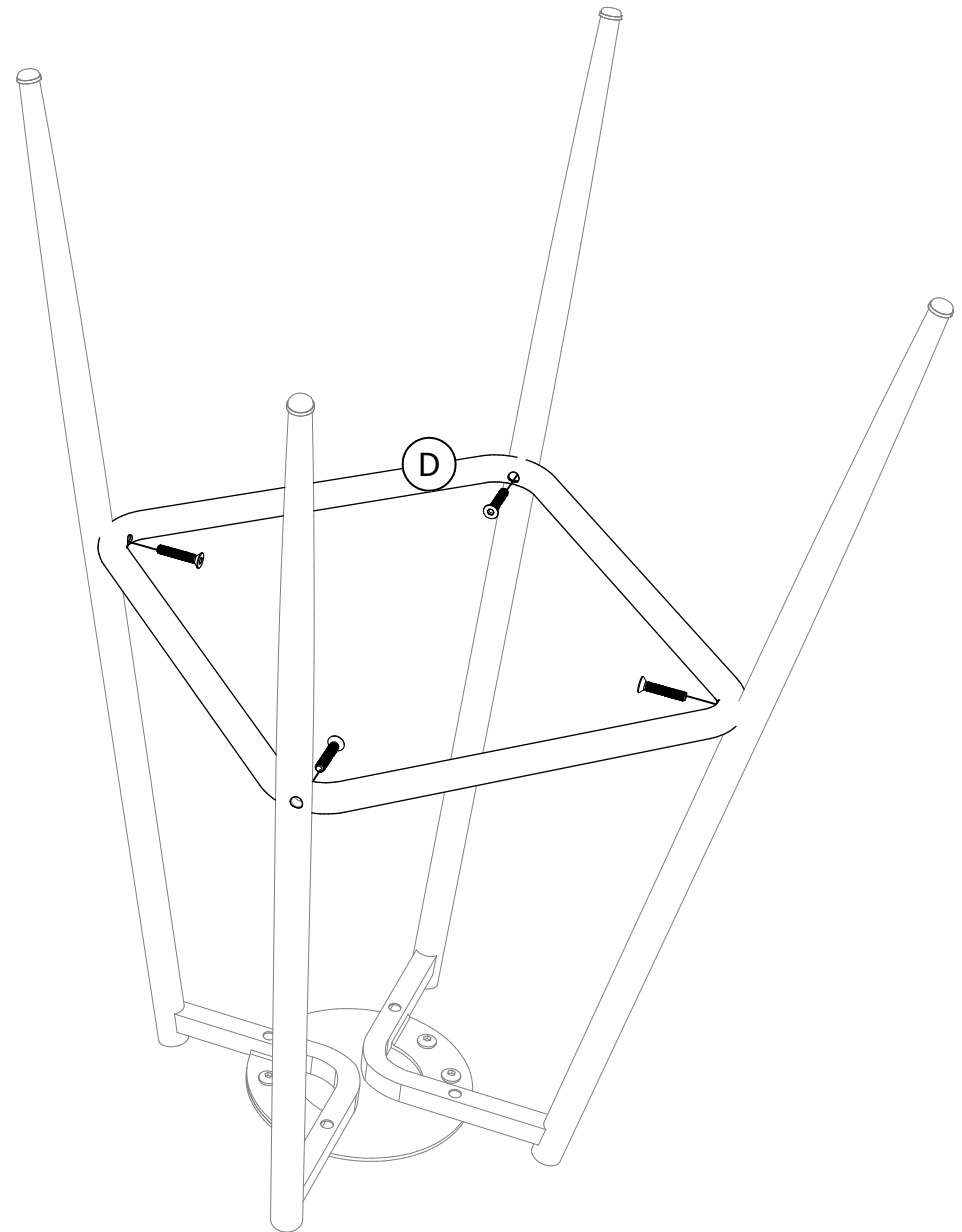


(H1) X 4
M6 bolt

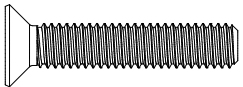


1. Do **NOT** fully tighten bolts at this step until **step 3**.

step 2

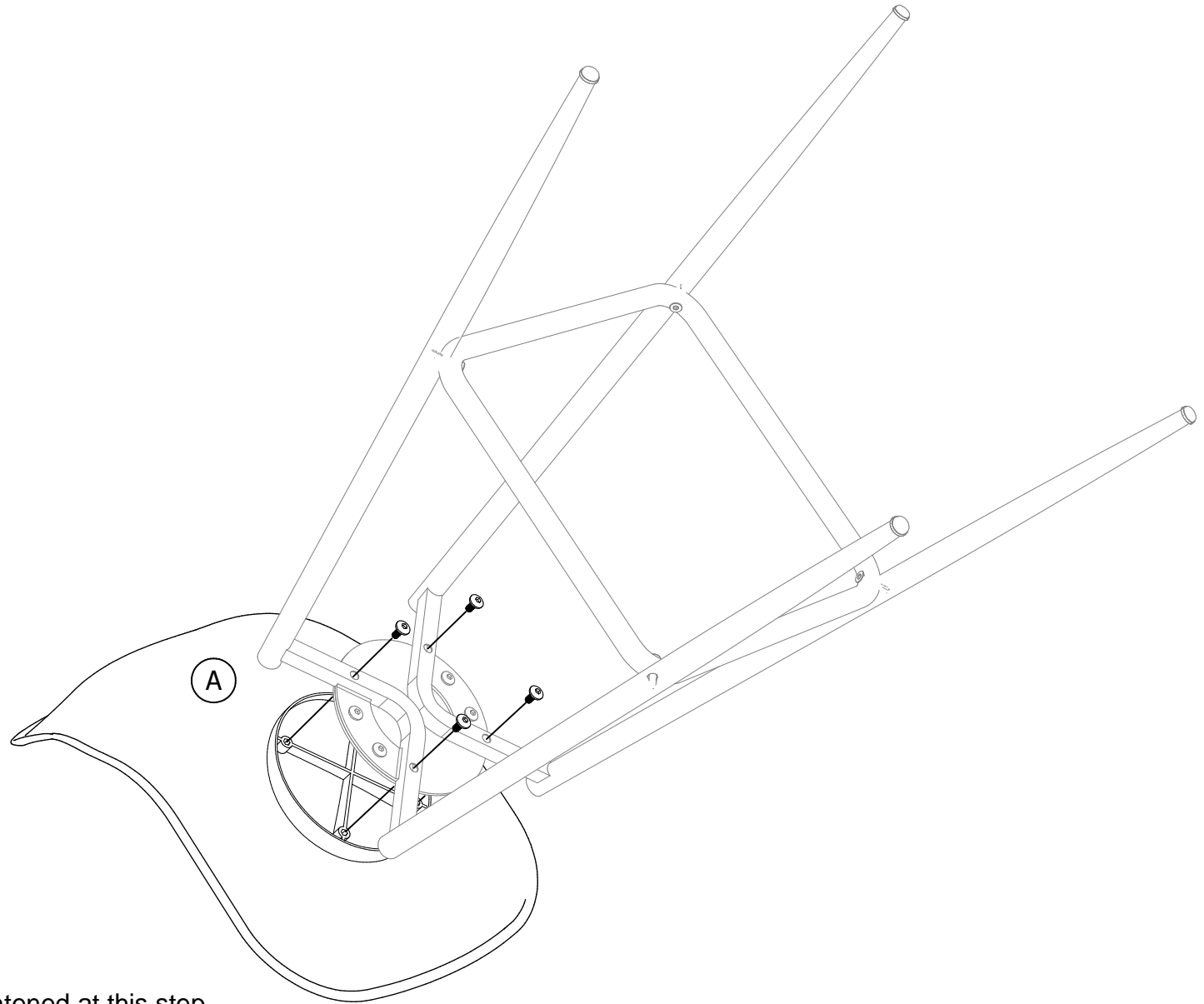
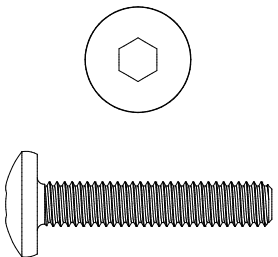


(H3) X 4
M6 Bolt



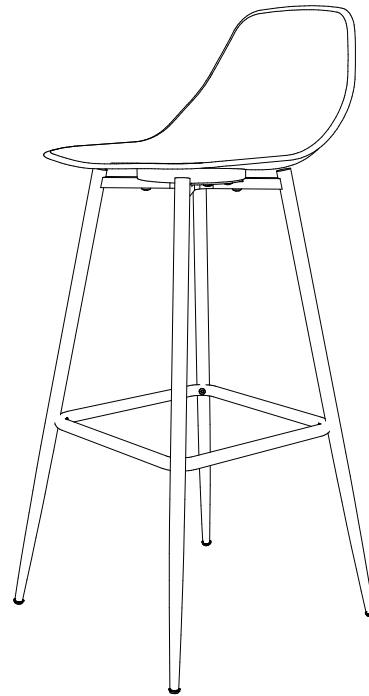
step 3

(H2) X 4
M6 bolt



1. Please insure that all bolts are tightened at this step.

step 4



1. Your stool is now ready for use!

