

1735

Q16416-AI_r0



REFERENCE NO:

POR067864

Please retain this booklet as you will be asked to quote this number for any warranty or product related queries



01942 524 100



CSEurope@dorel.com



Dorel Home Furnishing Europe, 244 Swan Lane, Hindley Green, Wigan, UK, WN2 4EY

1735

Thank you for purchasing this chair. Please inspect all parts prior to assembly and contact us if there are any damaged or missing components. This must be done before attempting assembly.

Pre-assembly preparation

Please check the pack contents before attempting to assemble this product. A full checklist of components is given in this leaflet. If any components are missing, please contact the retailer from whom you bought this product.

This product is **HEAVY**, it should be assembled as near as possible to the point of use. **TAKE CARE WHEN LIFTING** to avoid personal injury and (or) damage to the product.

This product takes approximately **20 MINUTES** to assemble with **1 PERSON**.

The fittings pack contains **SMALL ITEMS** which should be **KEPT AWAY FROM YOUNG CHILDREN**.

Read this leaflet in full before commencing assembly to ensure safe and satisfactory operation of this product.

Safety Instructions

Never drag furniture when moving it, always lift it.

Periodically check all fixings to ensure none have come loose and re-tighten where necessary.

Please take care when handling or moving the furniture as careless handling may cause damage or injury.

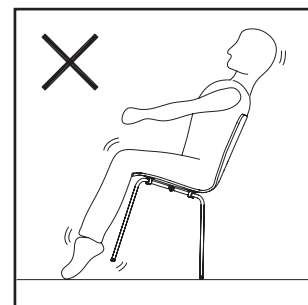
Furniture can be dangerous if incorrectly installed. Assembly should be carried out by a competent person. No liability will be accepted for damage or injury caused by incorrectly installed or assembled furniture.

It is recommended that before moving heavy objects to a new location they are completely dis-assembled to avoid personal injury or damage to the furniture. Please be careful to retain all fittings when doing this.

Never tilt the chair. Ensure the chair is always placed firmly on the ground.

This is a type C office chair with adjustable seat height only.

The fitted castors are suitable for all floor types.



WARNING :

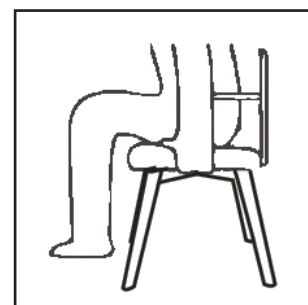
Always take care and keep feet clear of base when moving / lifting this product.

Do not stand on chair as this may cause serious injury.

Do not use the chair if any part appears damaged, broken or missing.

Do not use the chair unless all components are correctly fitted and adjusted.

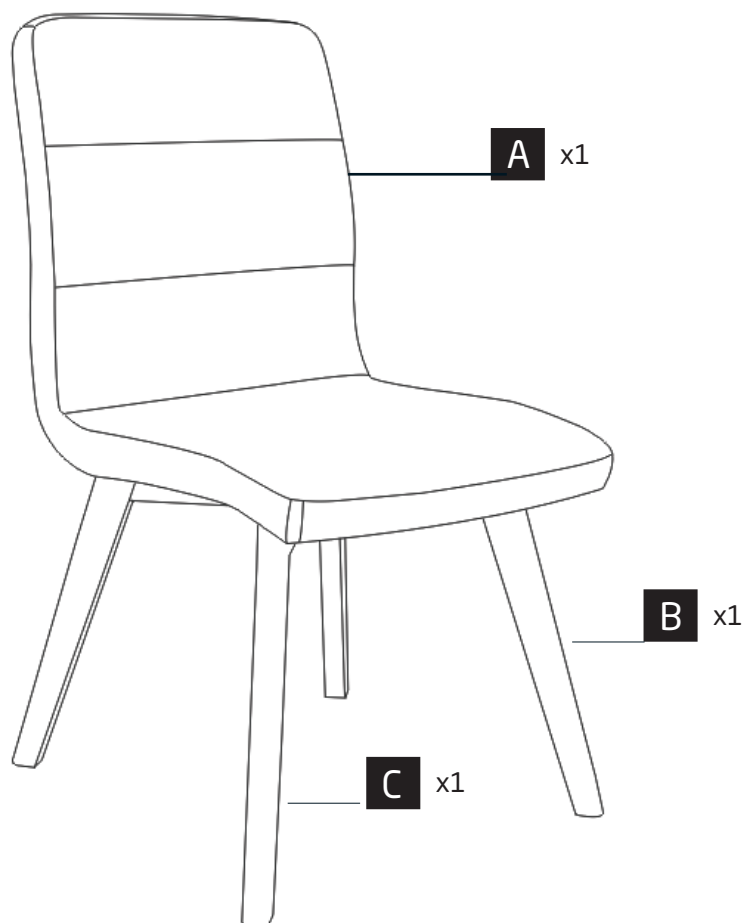
Only trained personnel may replace or repair seat height adjustment components with energy accumulators.



PLEASE KEEP THESE INSTRUCTIONS FOR FUTURE REFERENCE

DOREL HOME FURNISHINGS EUROPE ACCEPTS NO LIABILITY FOR ANY DAMAGE CAUSED THROUGH INCORRECT OR INAPPROPRIATE USE OF THIS PRODUCT.

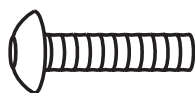
1735



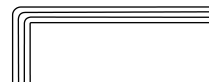
D x4
M6x16



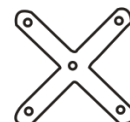
E x2
M6x50



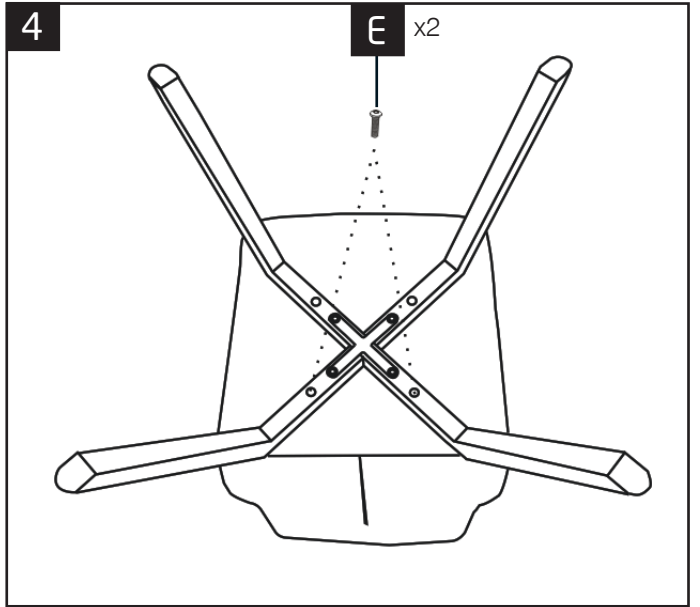
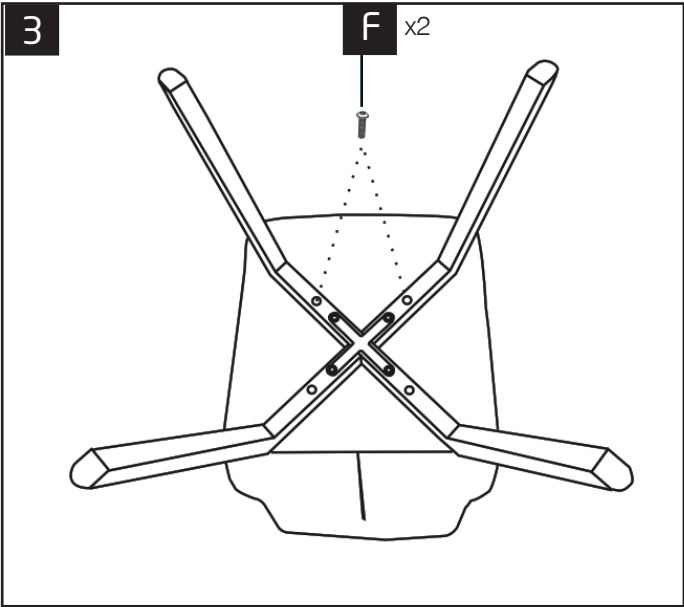
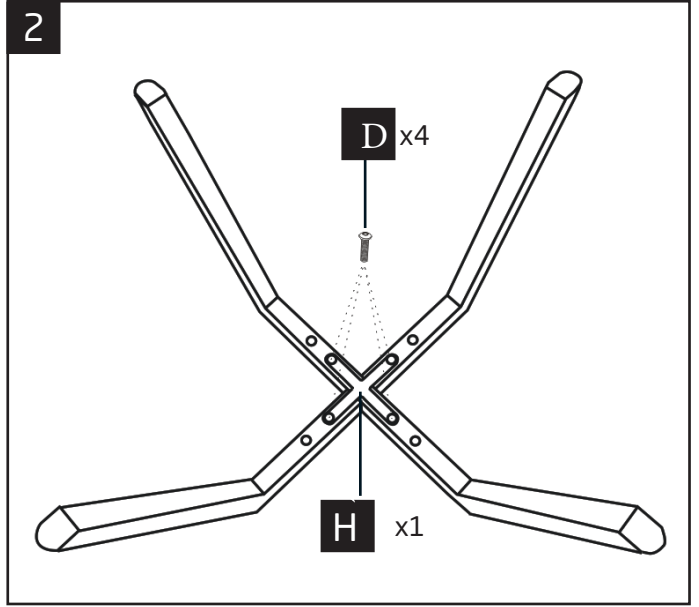
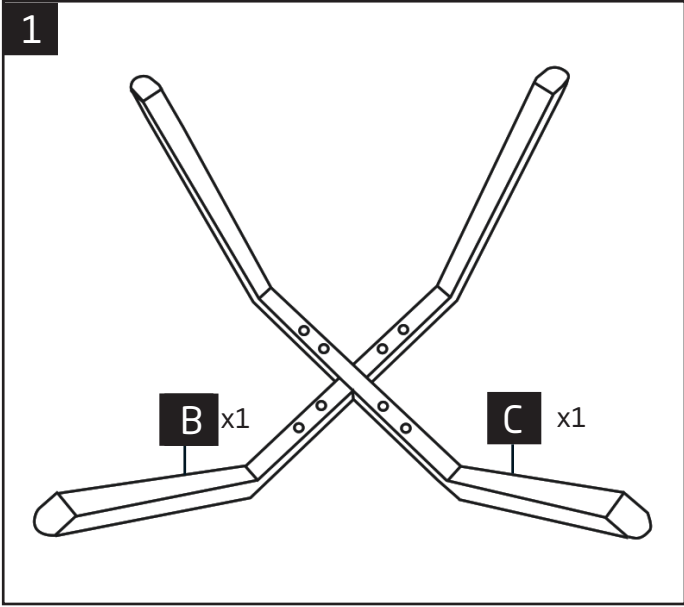
F x2
M6x60



G x1



H x1



Athens Chair

alphason



Simple yet stylish, the Athens chair is a must have for the casual home office. The beech coloured wooden legs are perfectly complemented by the neutral grey or Taupe fabric, finished with elegant horizontal stitching patterns. The foam padding gives a comfortable seat, whilst the practical shape and size allows for the chair to be stored under the desk saving on space when not in use.

Whether you need a small chair for occasional computer use or are looking for an additional seat for guests, the Athens is sure to fit perfectly into your home.

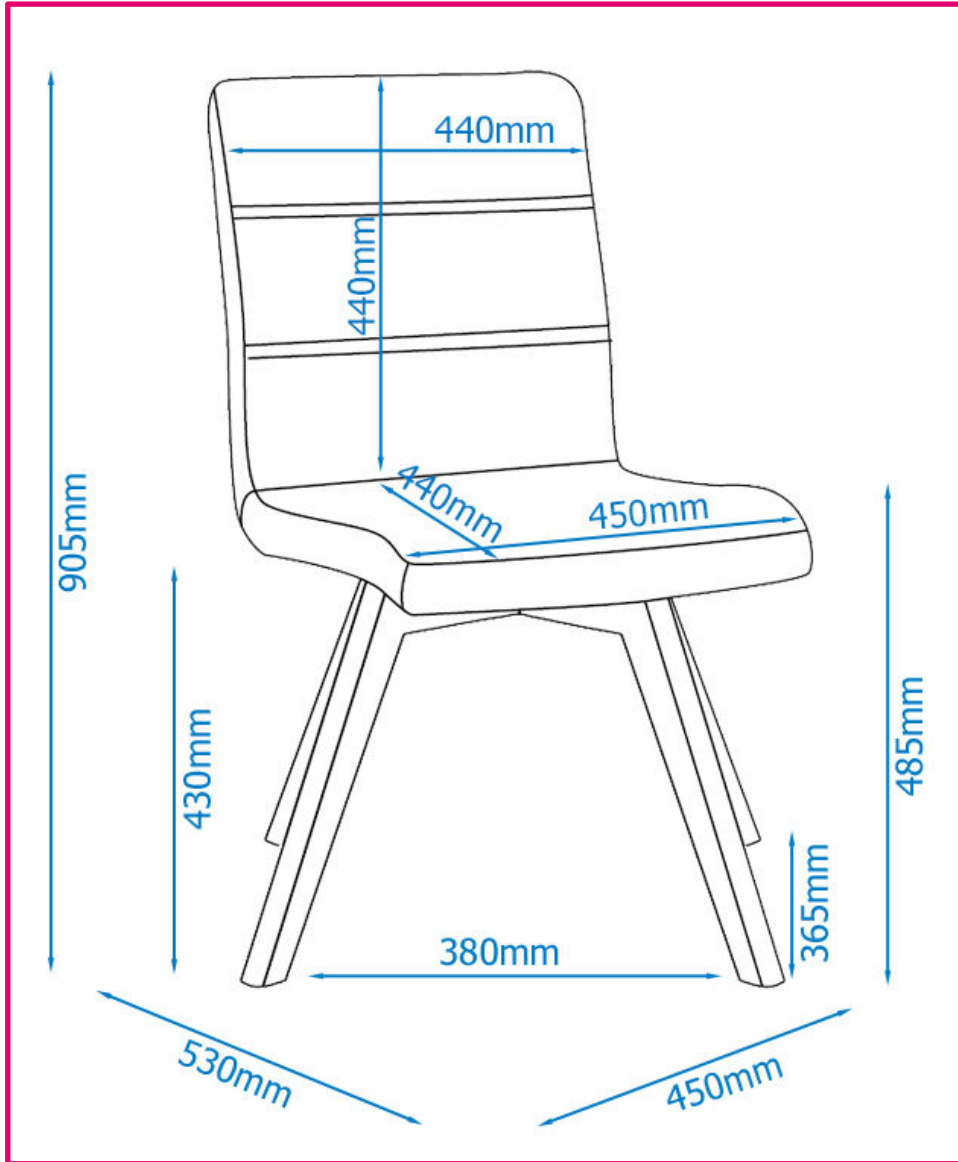
- Stylish ribbed back chair
- Wood legs with felt bottoms
- Slides under desk to save space
- Seat Dims (mm): H 485 x W 450 x D 440



Athens Chair



Technical Sheet



AOC1735GRY GREY
EAN: 5030752020198



AOC1735TAU TAUPE
EAN: 5060669114673

SPECIFYING	
Seat Height (mm)	485
Max. User Weight (kg)	114
Max. Recommended Use (hours)	4
Product Weight (kg)	6.5
Dims: H 905 x W 450 x D 530 (mm)	

PACKAGING	
Number of Boxes	1
Width (mm)	460
Height (mm)	760
Depth (mm)	360
Weight (kg)	7.6