

# Albany

## AW12362-

### Design Highlights

- Contemporary wood effect workstation
- Stationery drawer
- Storage cupboard
- Sliding keyboard shelf
- Printer Shelf
- CPU storage
- Raised worktop shelf
- Working area (mm):  
W 1200 x D 550
- EAN – Beech: 5030752009964  
Walnut: 5030752009971



Finished in beautiful wood effect with complementing white doors, the Albany is a stylish office WorkCentre with a huge amount of storage space. It features a large cupboard, stationery drawer, printer shelf, sliding keyboard/laptop shelf, CPU shelf, and other storage compartments.

Beech



Walnut



[www.alphasondesigns.com](http://www.alphasondesigns.com)



[CSEurope@Dorel.com](mailto:CSEurope@Dorel.com)



01942 524100

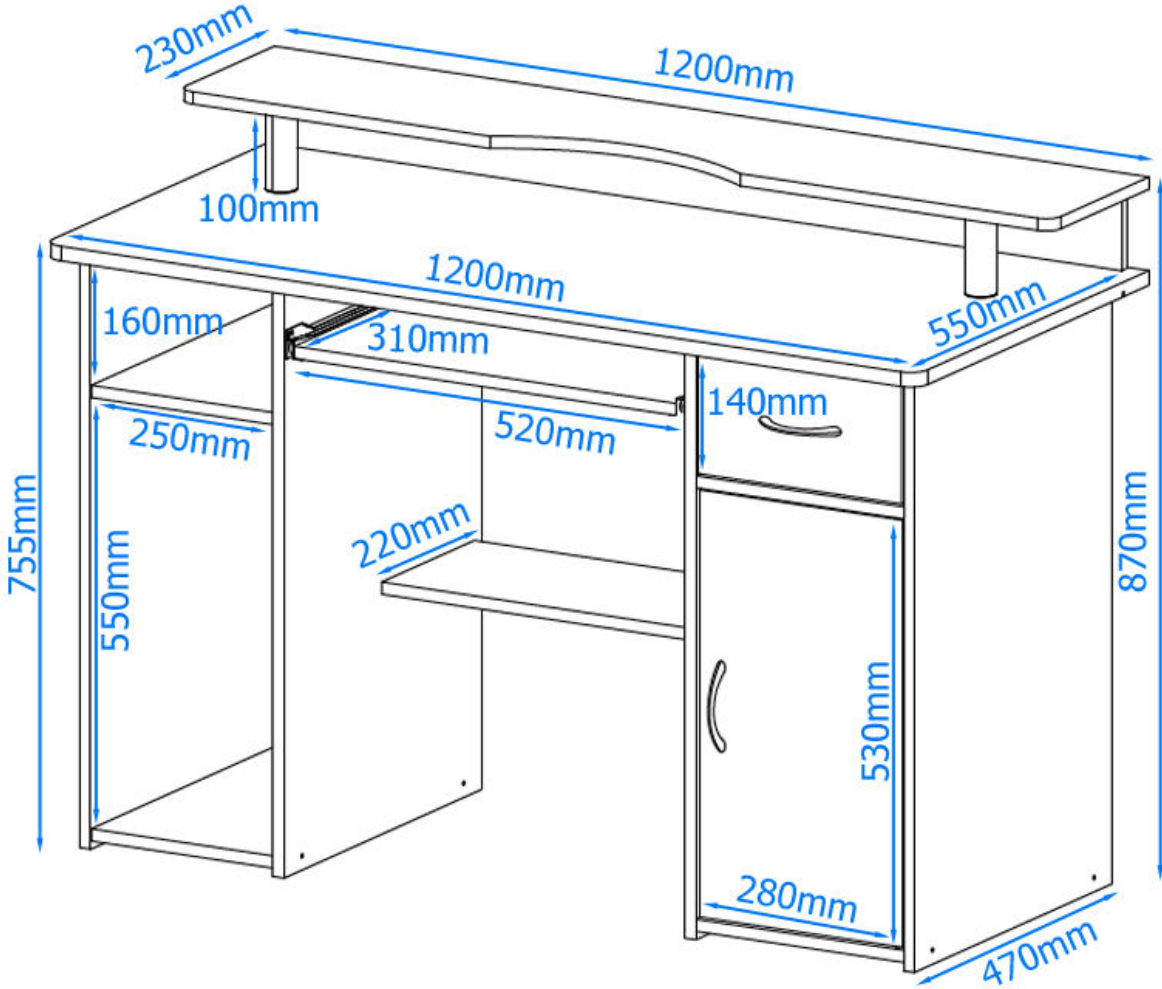


Dorel Home Furnishings Europe Ltd, 244 Swan Lane, Hindley Green, Wigan, UK, WN2 4EY

**alphason**

# Albany

AW12362-



## SPECIFYING

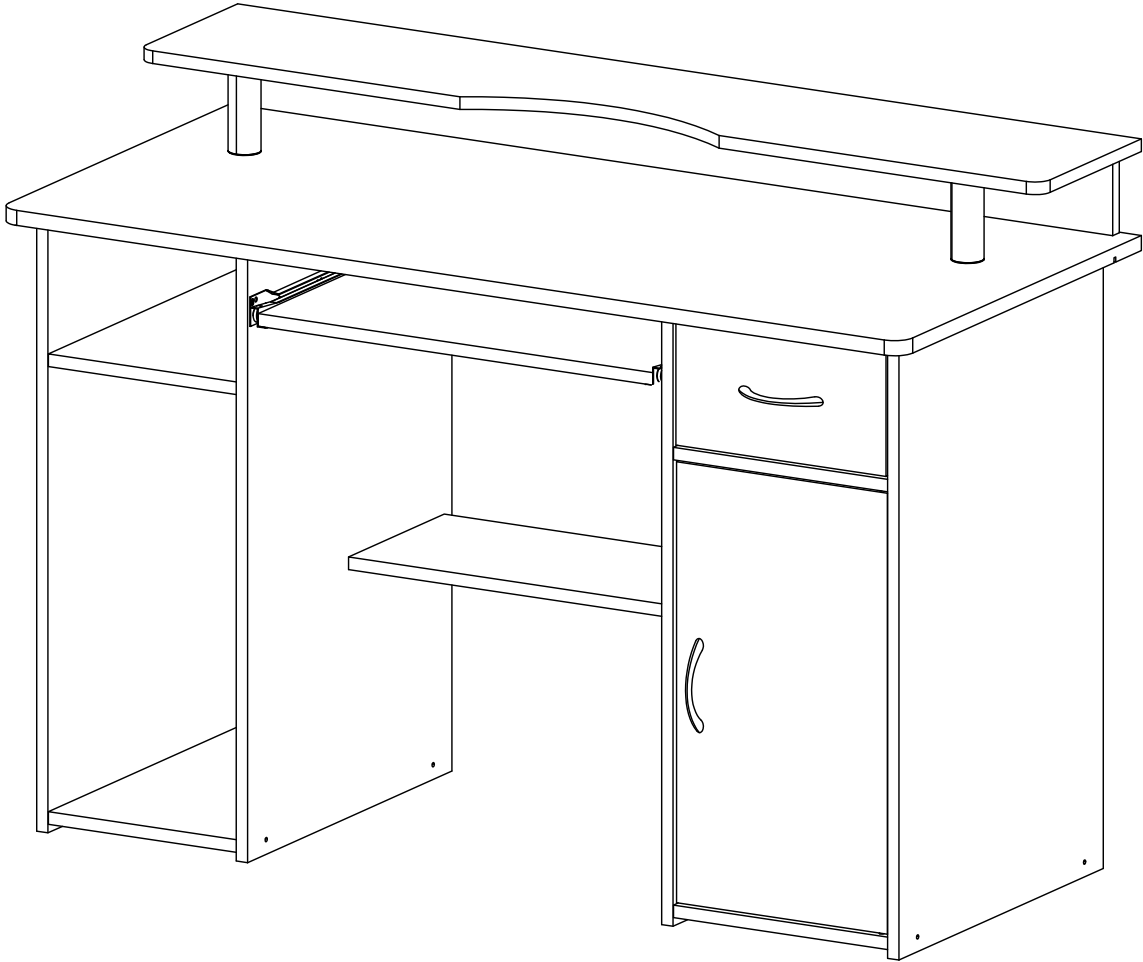
Table Top Height (mm)	770
Leg Clearance Width (mm)	1140
Number of Drawers	0
Product Weight (kg)	38
Dims: H 770 x W 1200 x D 600 (mm)	

## PACKAGING

Number of Boxes	1
Width (mm)	1245
Height (mm)	95
Depth (mm)	790
Weight (kg)	40

**alphason**

# AW12362



REFERENCE NO:

**POR000000**

Please retain this booklet as you will be asked to quote this number for any warranty or product related queries

Issue: 00/00/00

**PLEASE INSPECT ALL PARTS PRIOR TO ASSEMBLY AND CONTACT US IF ANY OF THE PARTS ARE DAMAGED OR MISSING. THIS MUST BE DONE BEFORE ATTEMPTING ASSEMBLY.**



Need help or advice? Missing/damaged parts?  
Contact us directly on:

**Helpline** ☎ **0845 130 6686**

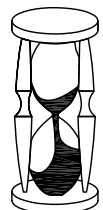
International Helpline (English Speaking): +44 1942 524 100



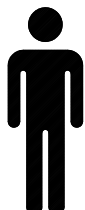
Interested in more Alphason products? Visit our website at:  
[www.alphasondesigns.com](http://www.alphasondesigns.com)



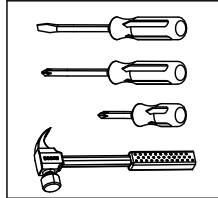
Have a question? Want more information? Email us on?  
[customer.services@armourhome.co.uk](mailto:customer.services@armourhome.co.uk)



60 MIN



x2



Self-Assemble  
tool request

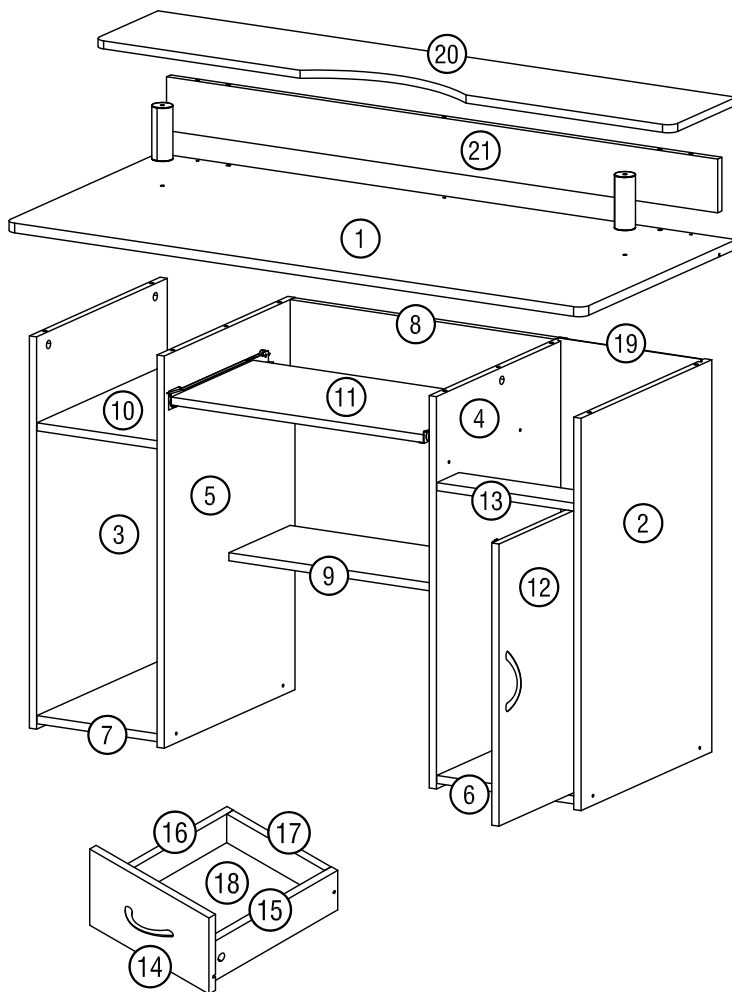
### Instructions/Instrucciones/Mode d'emploi

- Do not tighten bolts completely until desk is fully assembled
- Por favor no apretar los tornillos hasta que haya ensamblado
- el escritorio completamente

## PARTS LIST

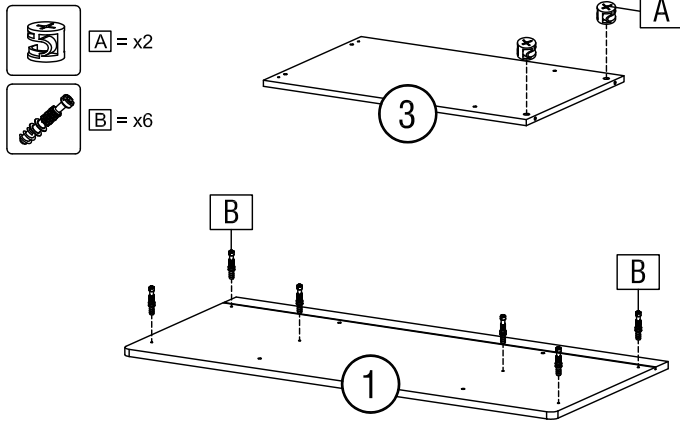
1	x1
2	x1
3	x1
4	x1
5	x1
6	x1
7	x1
8	x1
9	x1
10	x1
11	x1
12	x1
13	x1
14	x1

15	x1
16	x1
17	x1
18	x1
19	x1
20	x1
21	x1

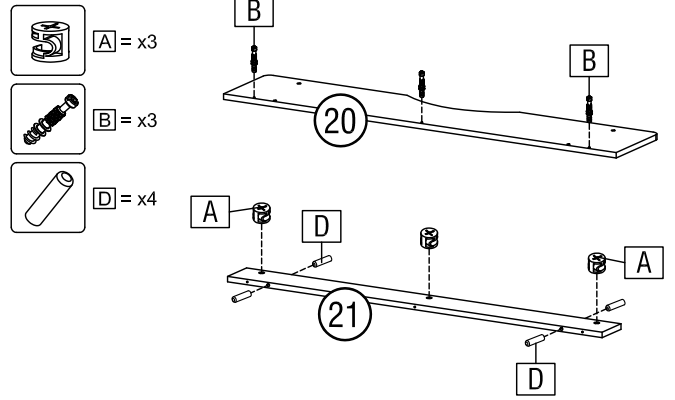


<b>A</b>  x11	<b>B</b>  x11	<b>C</b>  x11	<b>D</b>  x40	<b>E</b>  8 X 50 mm x21	<b>F</b>  6 X 13 mm x16	<b>G</b>  x2
<b>H</b>  M4 x 22 mm x4	<b>I</b>  x2	<b>J</b>  x6	<b>K</b>  1 set	<b>L</b>  x2	<b>M</b>  ML 2 set	<b>MR</b>  2 set
<b>N</b>  4 X 15 mm x6	<b>O</b>  4 X 13 mm x4	<b>P</b>  6 X 125 mm x2				

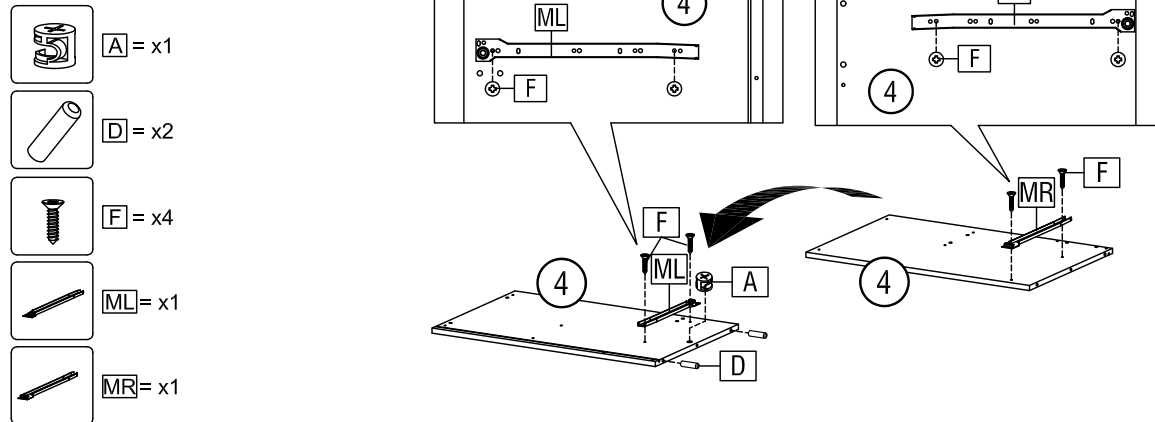
## Step 1



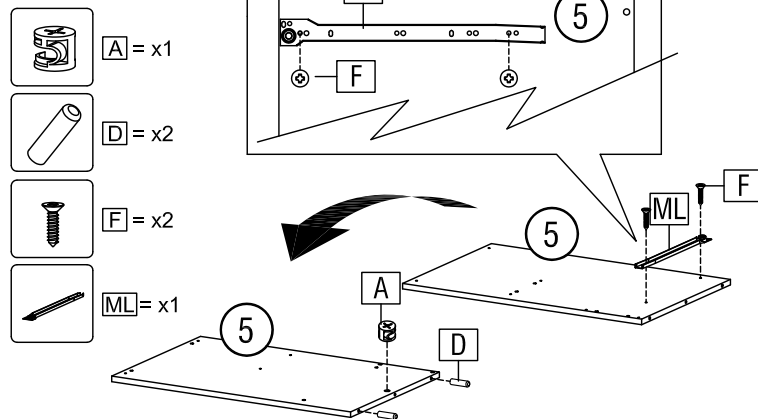
## Step 2



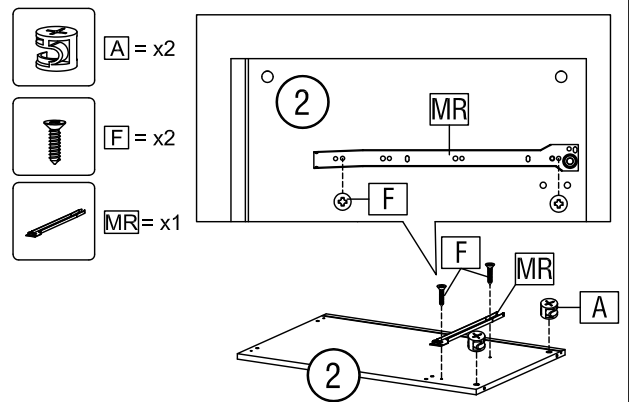
## Step 3



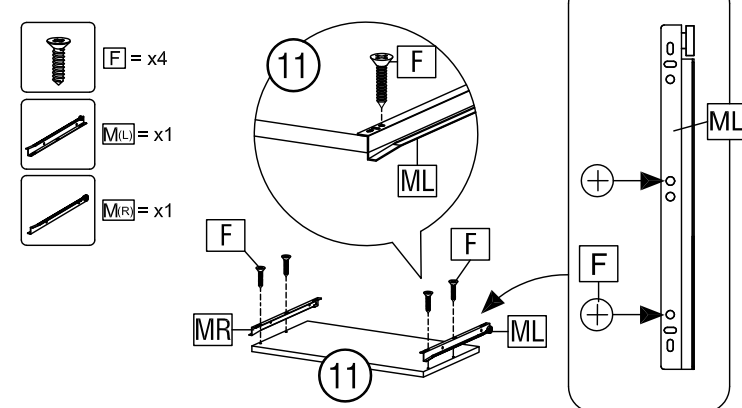
## Step 4



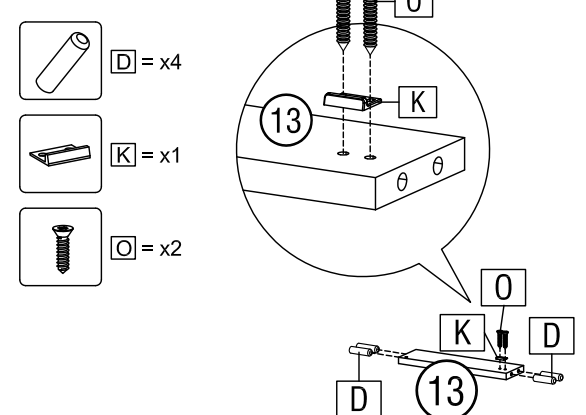
## Step 5



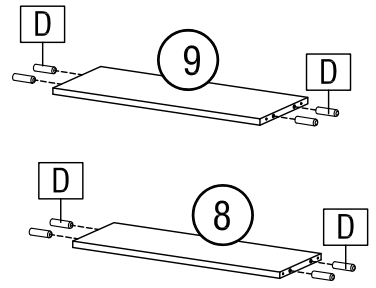
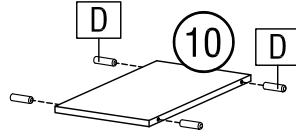
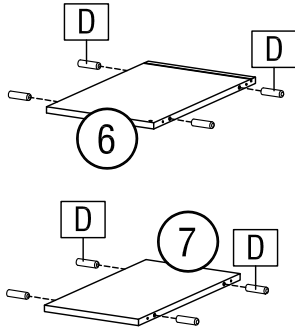
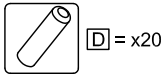
## Step 6



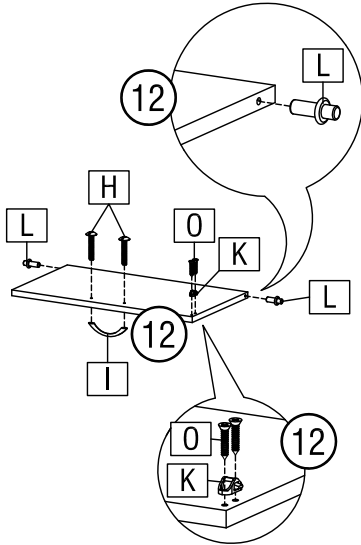
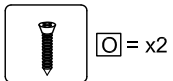
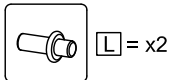
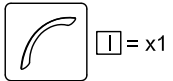
## Step 7



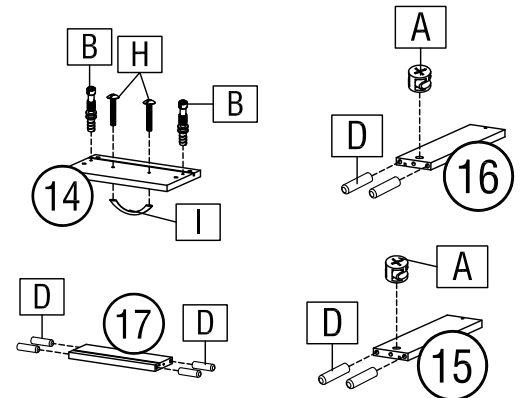
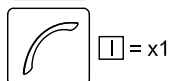
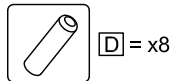
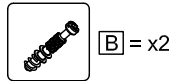
## Step 8



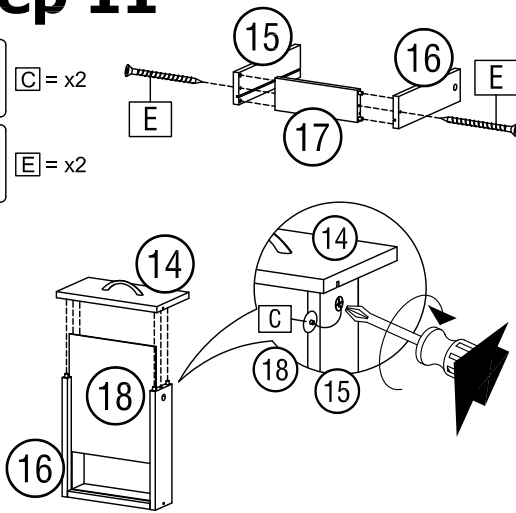
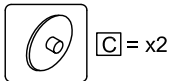
## Step 9



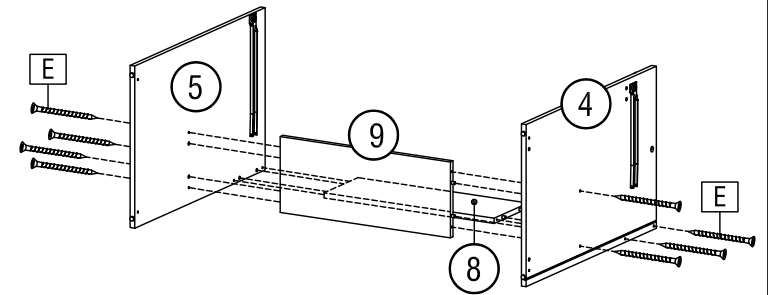
## Step 10



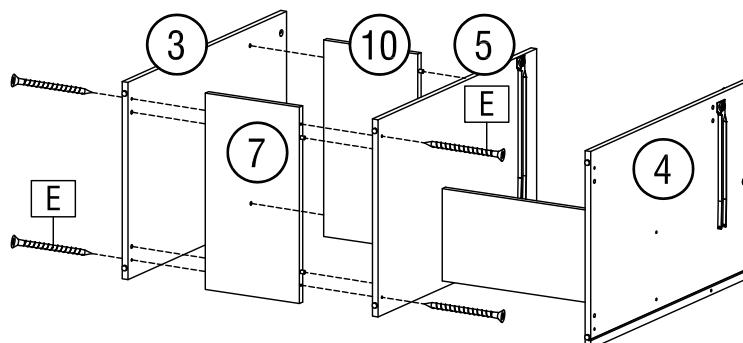
## Step 11



## Step 12



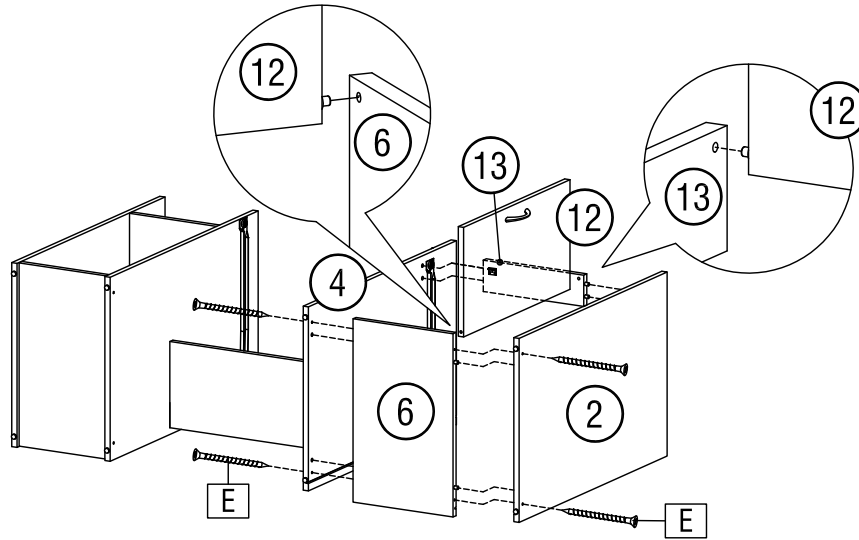
## Step 13



# Step 14



E = x4



# Step 15



C = x3



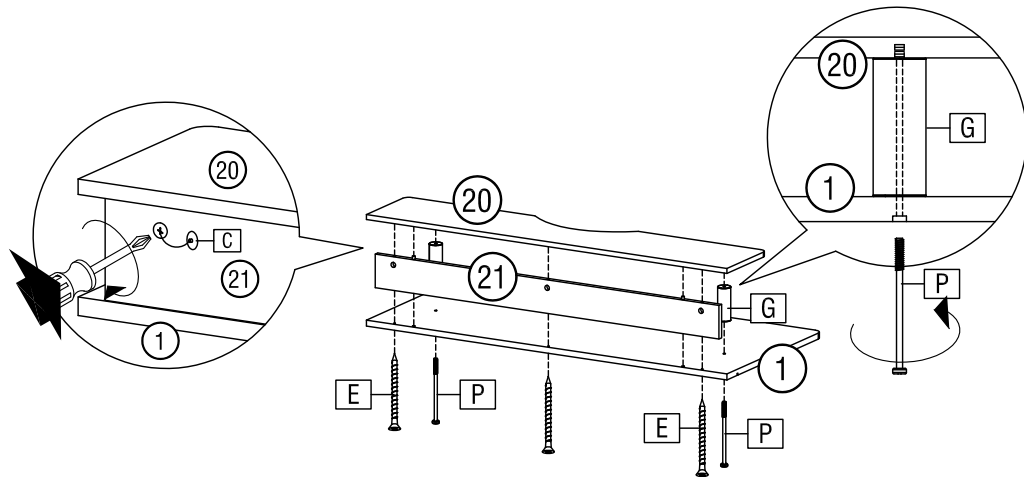
E = x3



G = x2



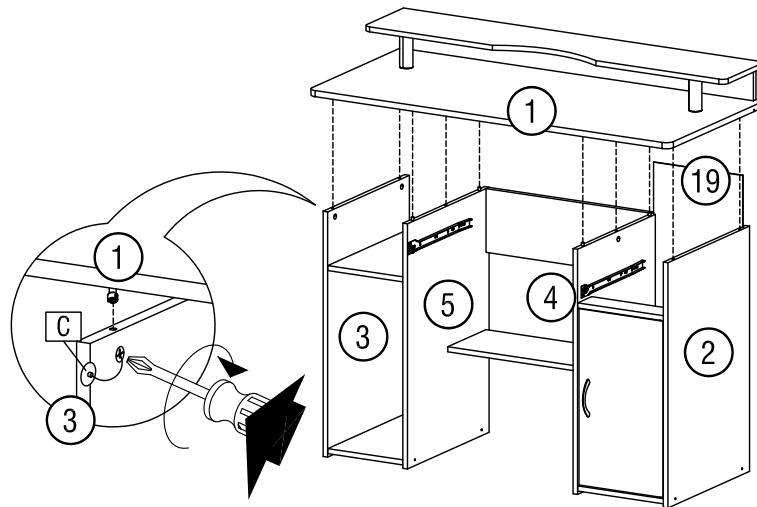
P = x2



# Step 16



C = x6



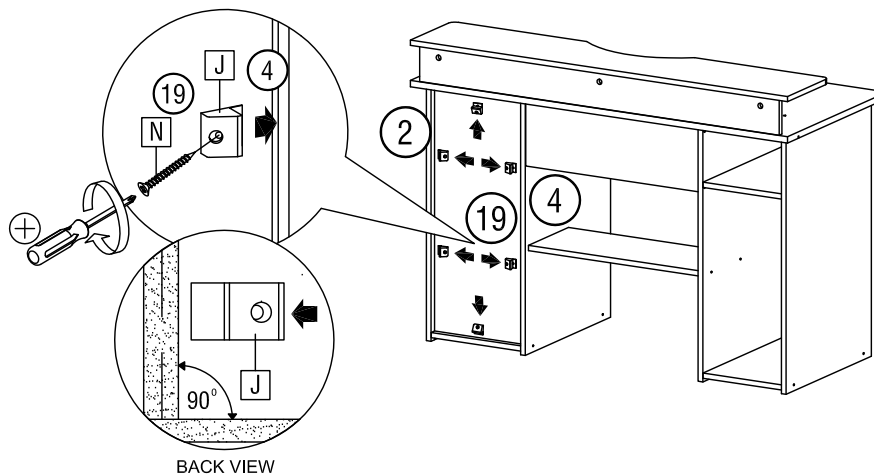
# Step 17



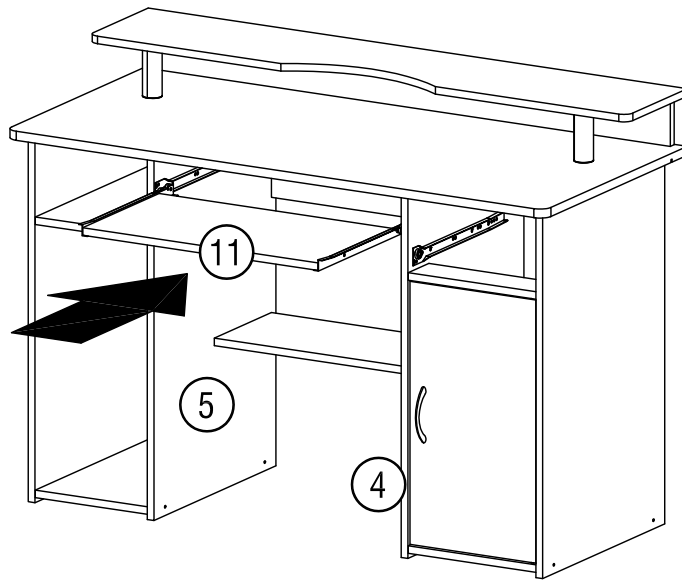
J = x6



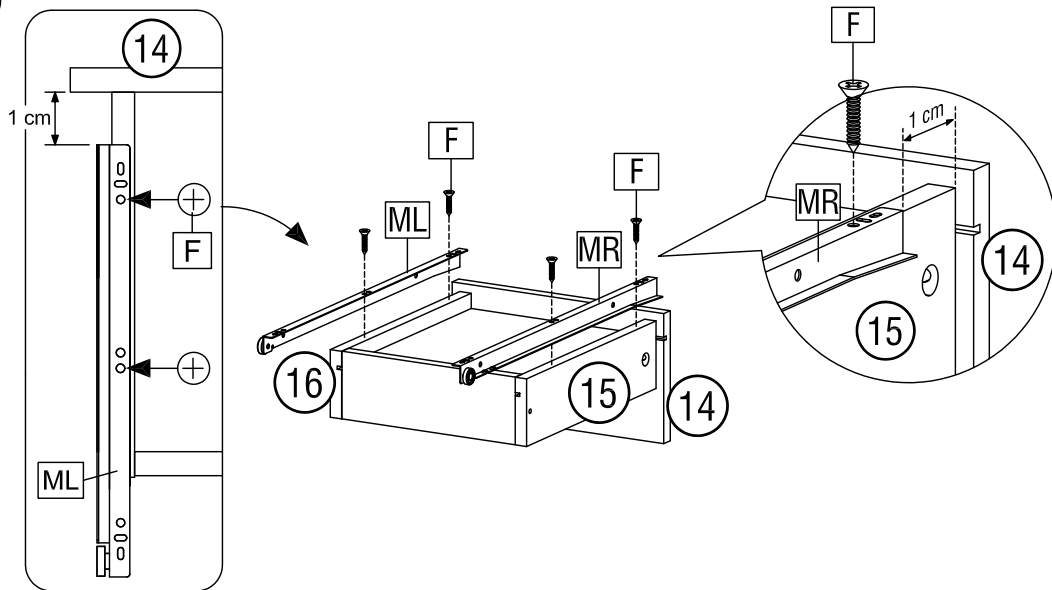
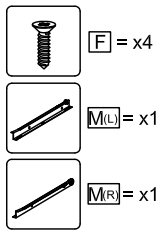
N = x6



## Step 18



## Step 19



## Step 20

