

AOC1299BLK



Customer services:



01942 524 100



cseurope@dorel.com

VAT REG No. 301656629



AOC1299BLK

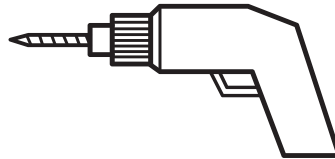
PLEASE INSPECT ALL PARTS PRIOR TO ASSEMBLY AND CONTACT US IF ANY OF THE PARTS ARE DAMAGED OR MISSING. THIS MUST BE DONE BEFORE ATTEMPTING ASSEMBLY.

Thank you for purchasing this. Please read the instructions carefully before use to ensure safe and satisfactory operation of this product.

Pre-assembly preparation

Please ensure instructions are read in full before attempting to assemble this product

Necessary Tools



Note: Some of the tools shown here are optional and are required only for quick assembly of this product

Please check the pack contents before attempting to assemble this product. A full checklist of components is given in this leaflet. If any components are missing, please contact the retailer from whom you bought this product.

This product takes approximately 15 MINUTES to assemble with 1 PERSON.

The fittings pack contains SMALL ITEMS which should be KEPT AWAY FROM YOUNG CHILDREN.

Read this leaflet in full before commencing assembly.

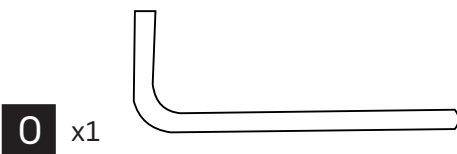
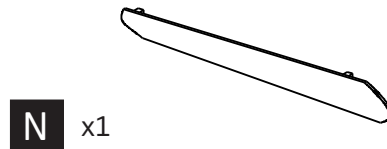
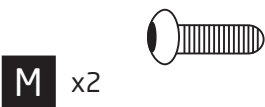
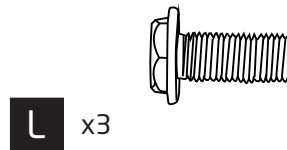
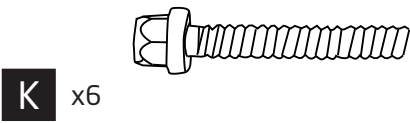
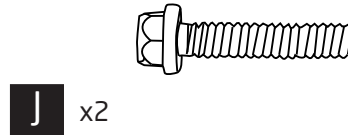
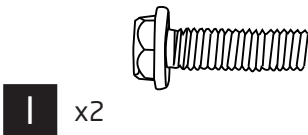
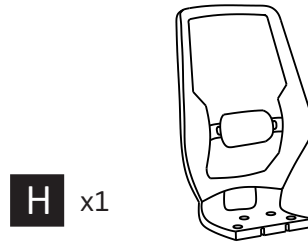
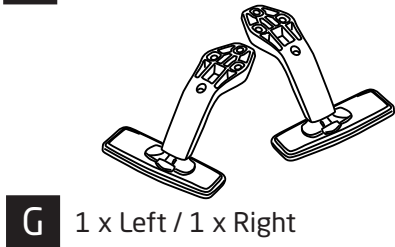
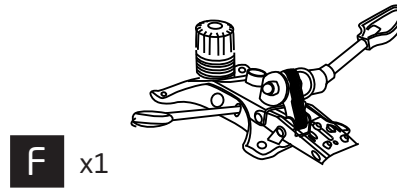
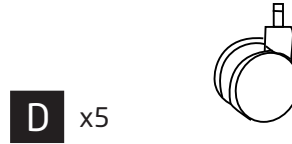
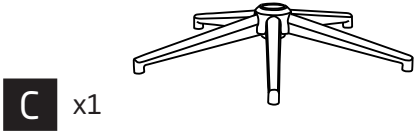


Dorel Home Furnishings Europe Ltd
Building 4, Imperial Place, Maxwell Road, Borehamwood WD6 1JN

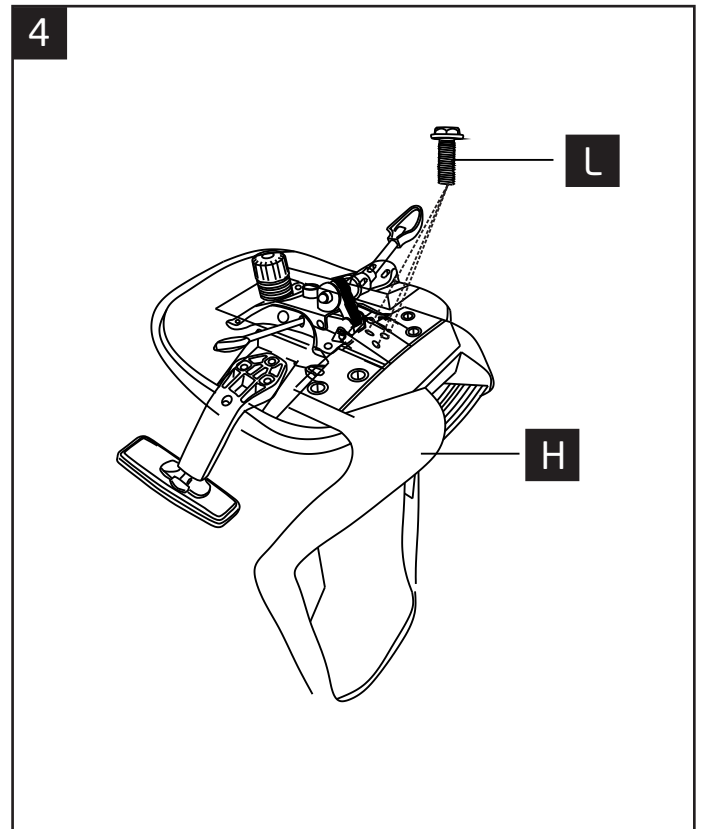
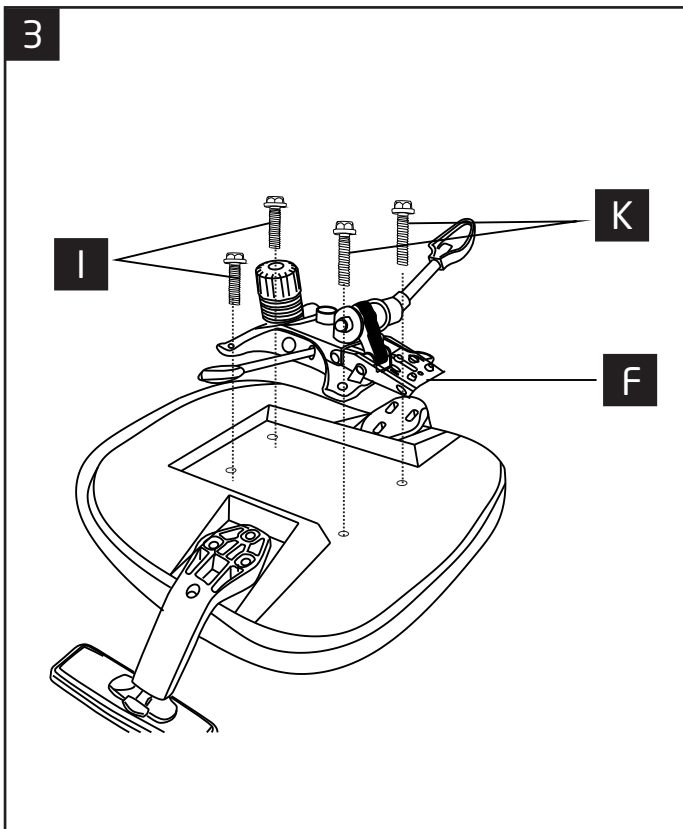
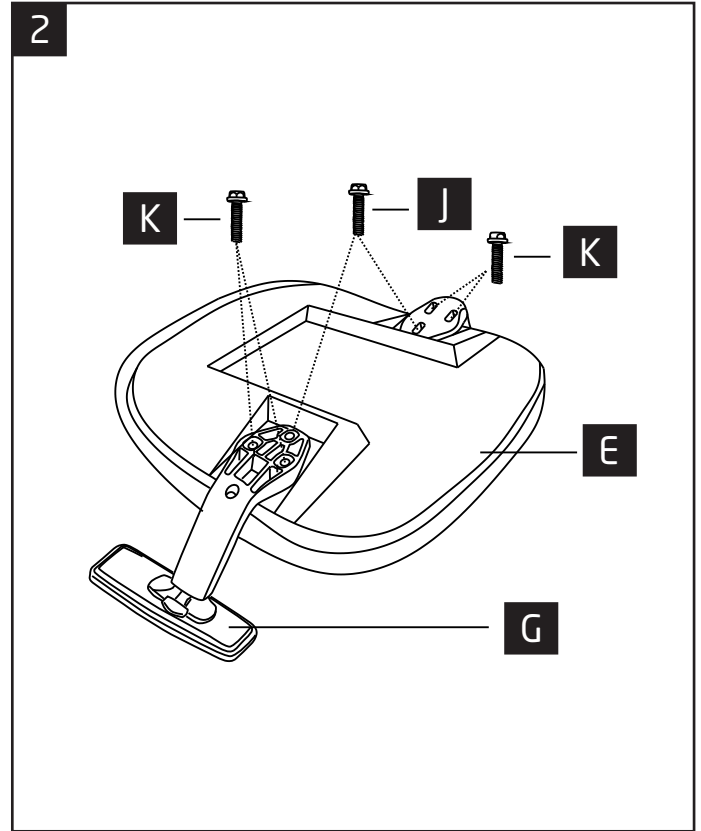
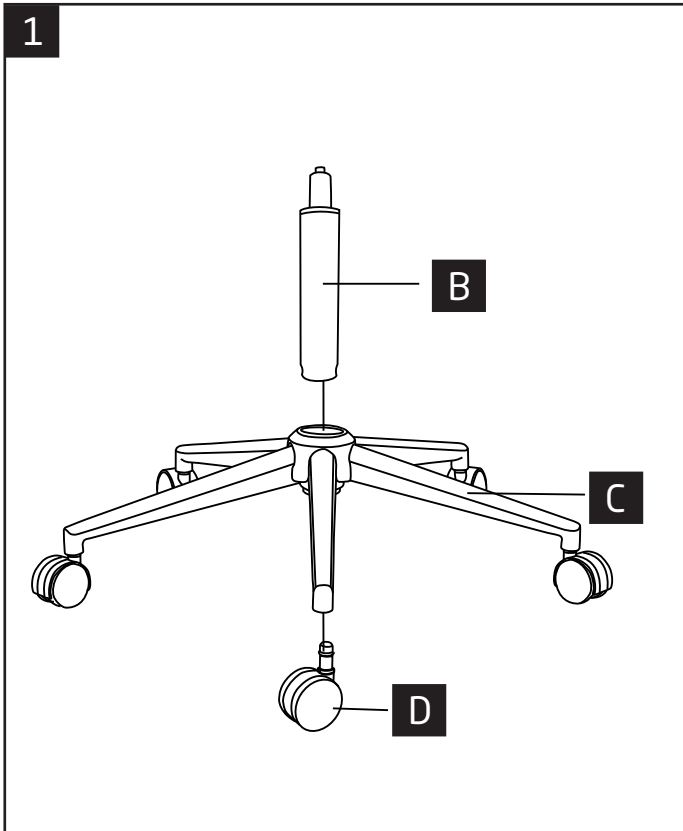


01942 524 100

AOC1299BLK

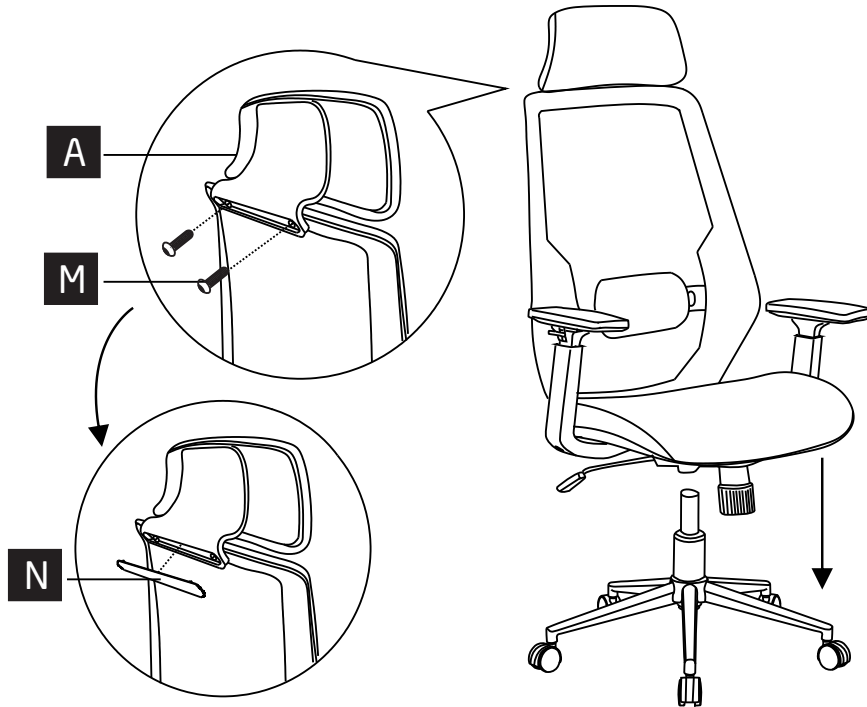


AOC1299BLK



AOC1299BLK

5



6



AOC1299BLK

Safety Instructions

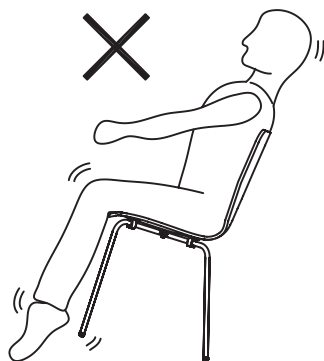
Periodically check all fixings to ensure none have come loose and re-tighten where necessary.

Please take care when handling or moving the furniture as careless handling may cause damage or injury.

Furniture can be dangerous if incorrectly installed. Assembly should be carried out by a competent person. No liability will be accepted for damage or injury caused by incorrectly installed or assembled furniture.

It is recommended that before moving heavy objects to a new location they are completely dis-assembled to avoid personal injury or damage to the furniture. Please be careful to retain all fittings when doing this.

Never tilt the chair. Ensure the chair is always placed firmly on the ground.

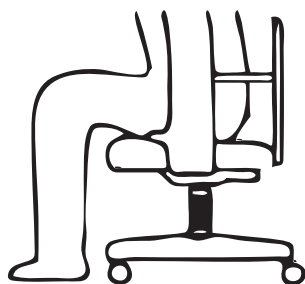


WARNING :

Sit on the chair to use the weight of the body to tighten the joint on the column and the seat.

Please note this is not a permanent fit due to the rise & fall and 360 degree turning action.

Always take care and keep feet clear of base when moving / lifting this product.



Do not stand on chair or use a ladder as this may cause serious injury.

Do not use the chair if any part appears damaged, broken or missing.

Do not use the chair unless all components are correctly fitted and adjusted.

Only trained personnel may replace or repair seat height adjustment components with energy accumulators.

PLEASE KEEP THESE INSTRUCTIONS FOR FUTURE REFERENCE



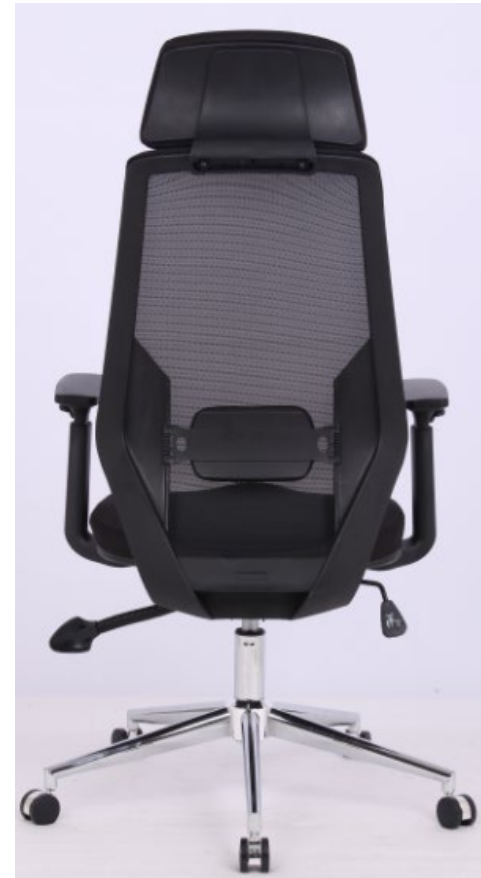
Creating comfort in the workplace, the Alphason Clifton Chair offers comfort & durability without compromising on style. Featuring a high mesh back with adjustable padded headrest, this ergonomically designed chair is a working day essential.

- Height adjustable seat, arms and lumbar support.
- Foam seat with black fabric
- Minimal Assembly required
- Tension Control
- EAN:5060669111504



Black Mesh / Fabric





PRODUCT

Overall Width (mm)	660
Overall Height (mm)	1140-1220
Overall Depth (mm)	570
Weight (KG)	15.4

EAN 060669111504

PACKAGING

Number of Boxes	1
Width (mm)	650
Height (mm)	760
Depth (mm)	280
Weight (KG)	17.5

