

Copley Plastic Counter Stool



Give a touch of elegance to your kitchen counter with the Copley Plastic Counter Stool! Designed in clean simple lines that allude to the Mid Century décor, this stool is perfect for any style. This molded stool has sturdy metal legs with a wood-look finish, assembles in seconds and it is lightweight and durable.

- Elegant, modern and versatile style that goes with any décor.
- Plastic seat with backrest for superior comfort.
- Sturdy metal legs with wood look finish and plastic seat.
- Durable and lightweight design that is quick and easy to assemble.

Copley Plastic Counter Stool



C005501TUK Black
EAN: 5060669113607



C005512TUK Grey
EAN: 5060669113621



C005502TUK White EAN: 5060669113614

Product	Height: 826mm	Shipping	Height: 635mm
	Width: 394mm		Width: 406mm
	Depth: 432mm		Depth: 229mm
	Weight: 5 kg		Weight: 6 kg

Plastic Dining Chair

C005501TUK - Black

C005512TUK - Grey

C005502TUK - White



Weight limit: 250lbs / 113kgs

>> assembly instructions

Congratulations on your latest purchase.

Now what? Don't start sweating over this box of parts. This will be easy. We did the hard work for you. All you need to do is follow our simple instructions and you'll be on your way to transforming your room in no time. Good luck--though we're confident you won't need it.

before you begin

1. Check for damaged or missing parts. Call **01942 524100** to order missing supplies.
2. Use the carton as a working surface to prevent product damage during assembly.
3. Gather all tools prior to assembly.

table of contents

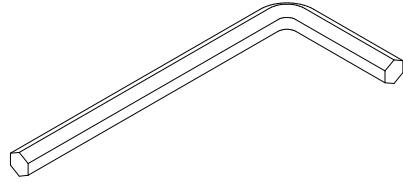
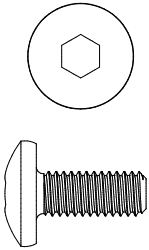
introduction	2
hardware	4
parts list	5
assembly	6 - 7

hardware

Hardware Pack# **TC005501-00**

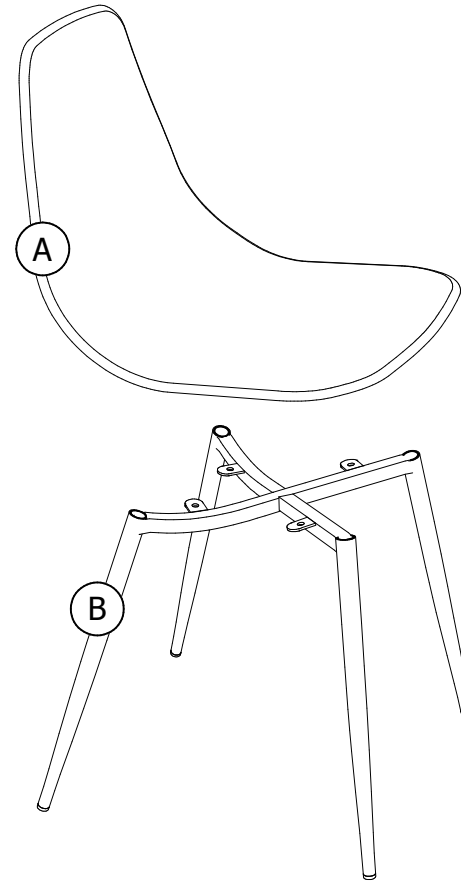
(H1) X 8
M6 bolt

(H2) X 1
Allen Key



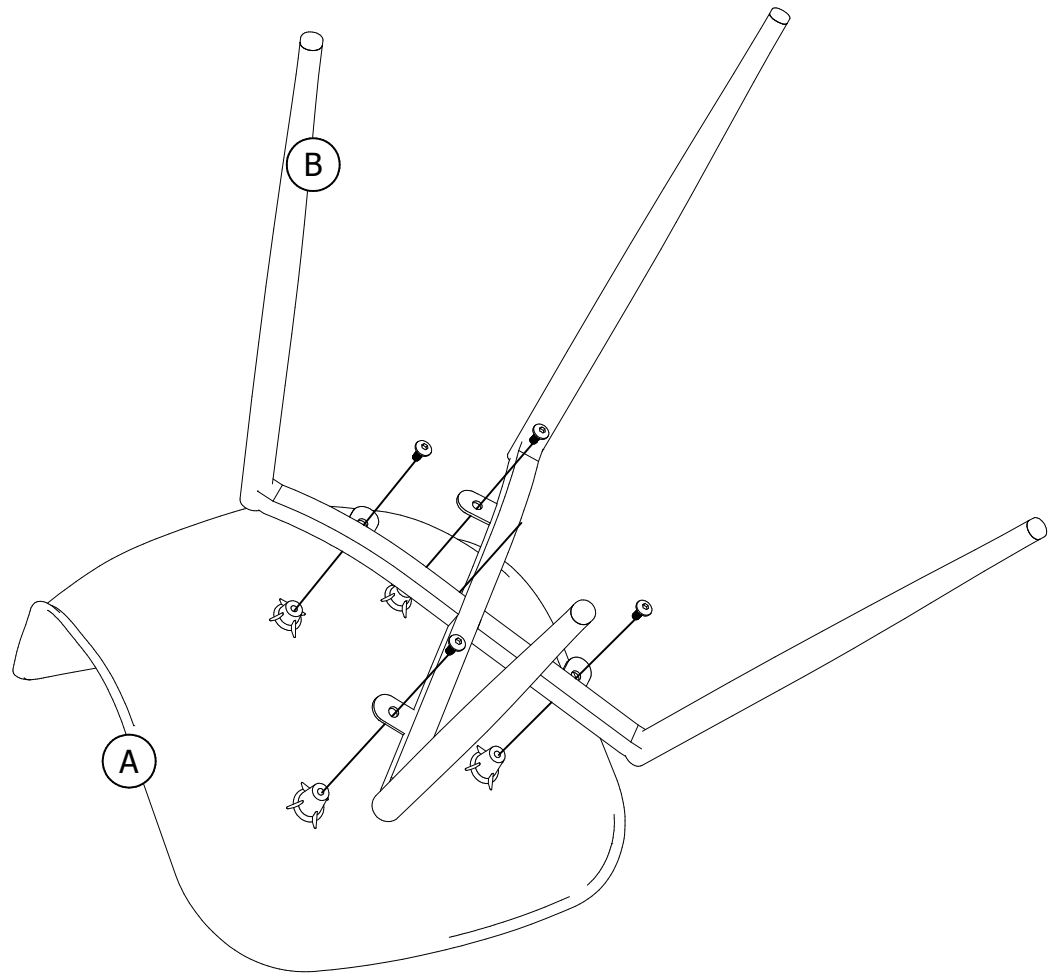
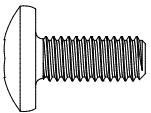
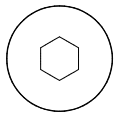
ITEM	DESCRIPTION	QUANTITY
------	-------------	----------

A	seat	1
B	leg	1



step 1

(H1) X 4
M6 bolt



step 2



Repeat the same step for the second chair.
Your chairs are now ready for use!

