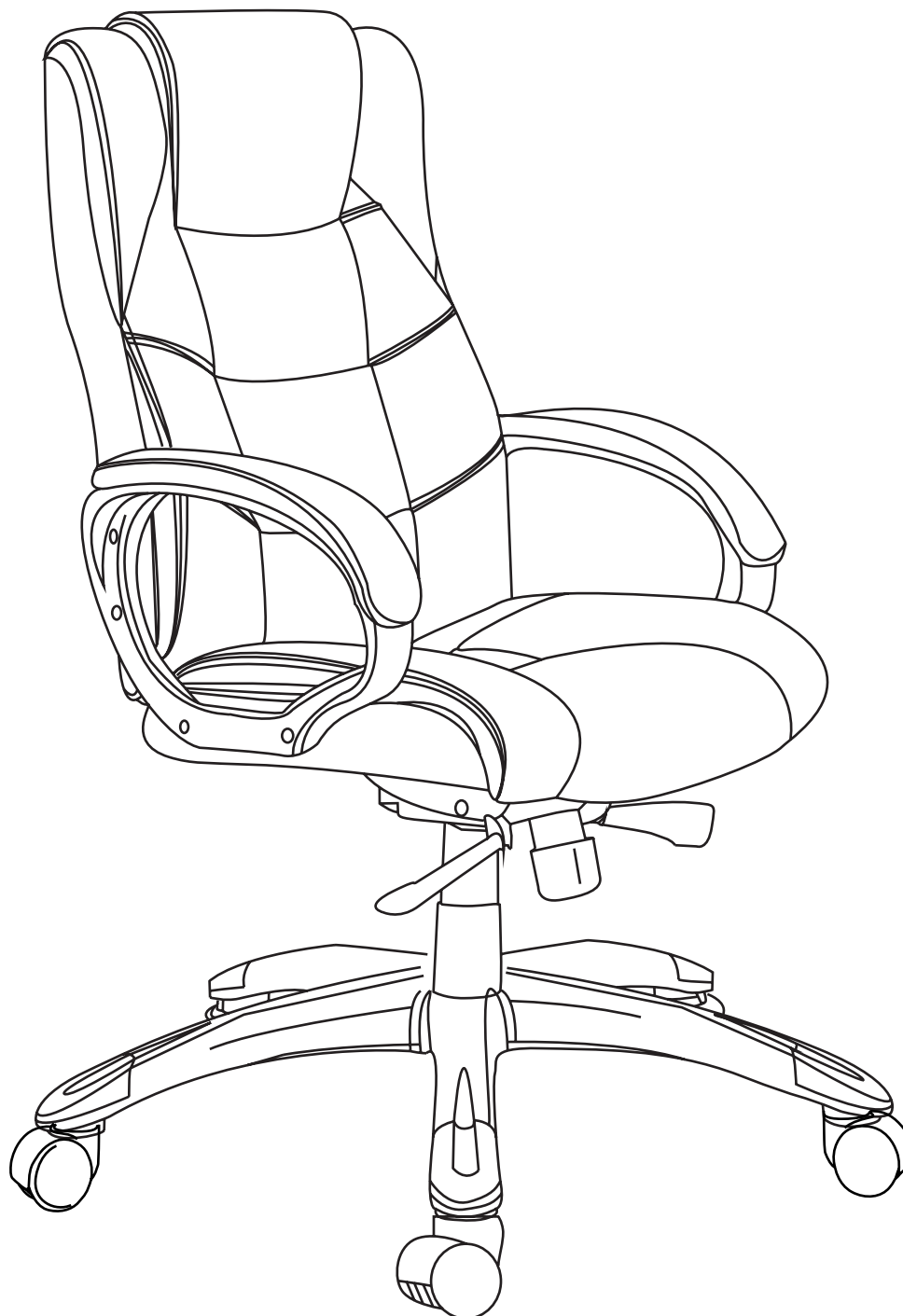



Northland Chair

AOC6332-L


alphason



Customer services:

 0845 130 6686

 customer.services@armourhome.co.uk

 www.armourhome.co.uk



Northland Chair

AOC6332-L

alphason

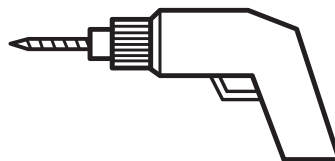
PLEASE INSPECT ALL PARTS PRIOR TO ASSEMBLY AND CONTACT US IF ANY OF THE PARTS ARE DAMAGED OR MISSING. THIS MUST BE DONE BEFORE ATTEMPTING ASSEMBLY.

Thank you for purchasing this Northland Chair. Please read the instructions carefully before use to ensure safe and satisfactory operation of this product.

Pre-assembly preparation

Please ensure instructions are read in full before attempting to assemble this product

Necessary Tools



Note: Some of the tools shown here are optional and are required only for quick assembly of this product

Please check the pack contents before attempting to assemble this product. A full checklist of components is given in this leaflet. If any components are missing, please contact the retailer from whom you bought this product.

This product takes approximately 15 MINUTES to assemble with 1 PERSON.

The fittings pack contains SMALL ITEMS which should be KEPT AWAY FROM YOUNG CHILDREN.

Read this leaflet in full before commencing assembly.



Armour Home Electronics
Units 7 & 8, Stortford Hall Industrial Park,
Dunmow Road, Bishops Stortford,
Hertfordshire, UK, CM23 5GZ



www.armourhome.co.uk

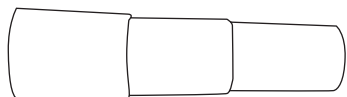


0845 130 6686

Northland Chair

AOC6332-L

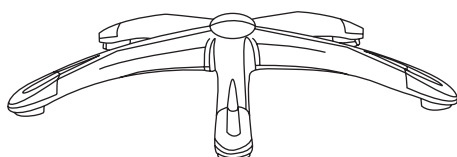
alphason



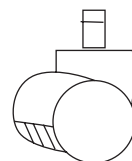
A x1



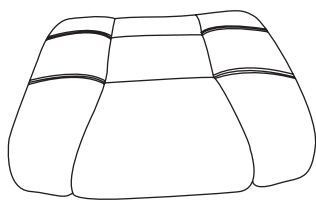
B x1



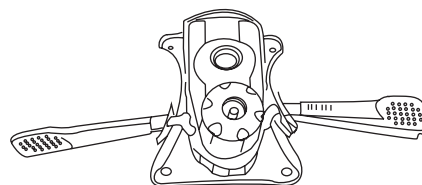
C x1



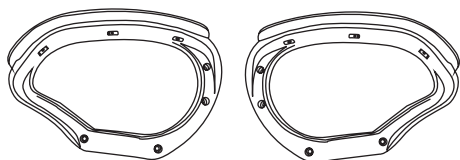
D x5



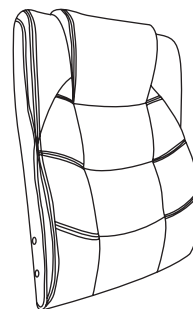
E x1



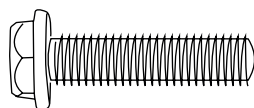
F x1



G 1 x Left / 1 x Right



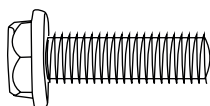
H x1



I x8



J x8



K x4

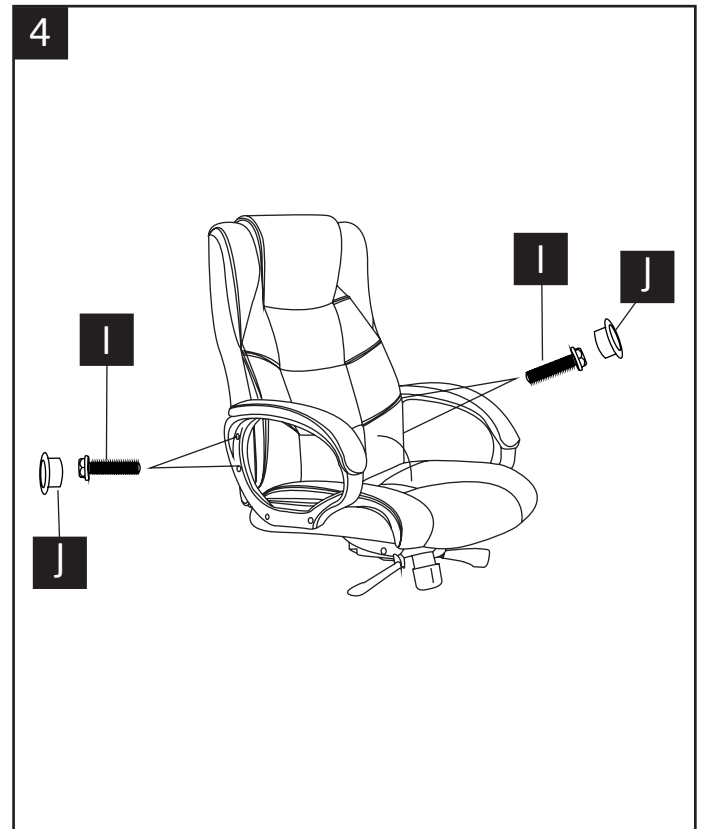
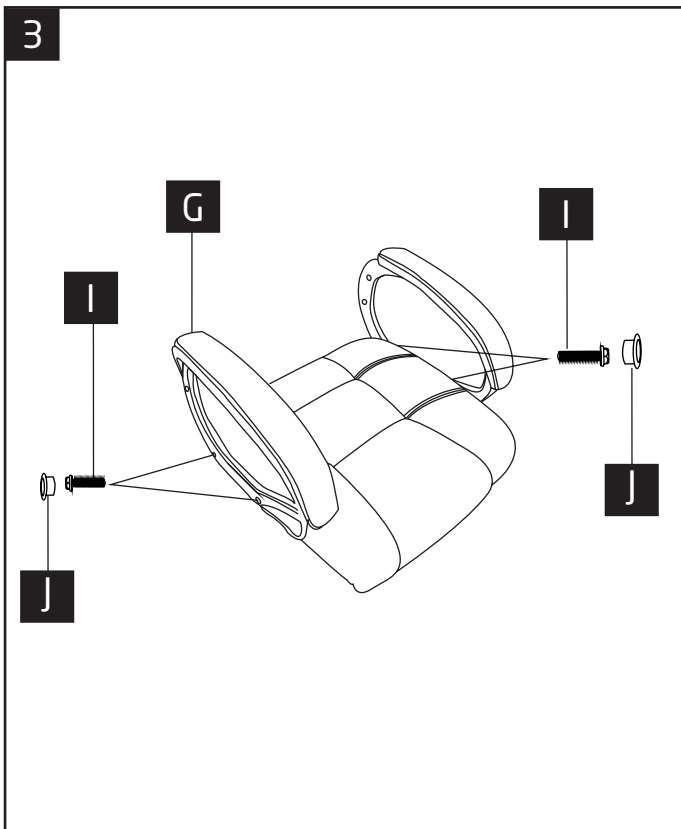
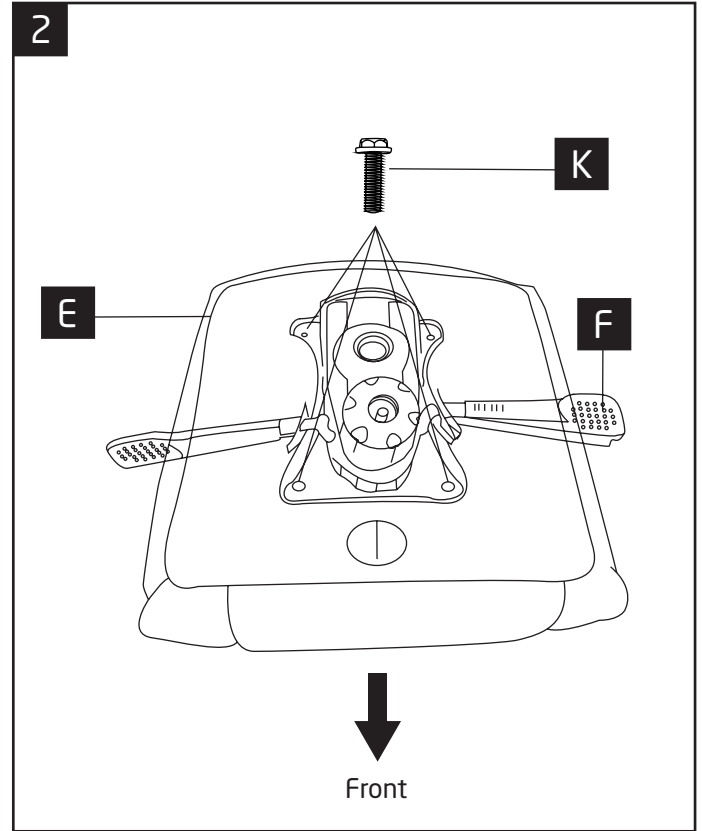
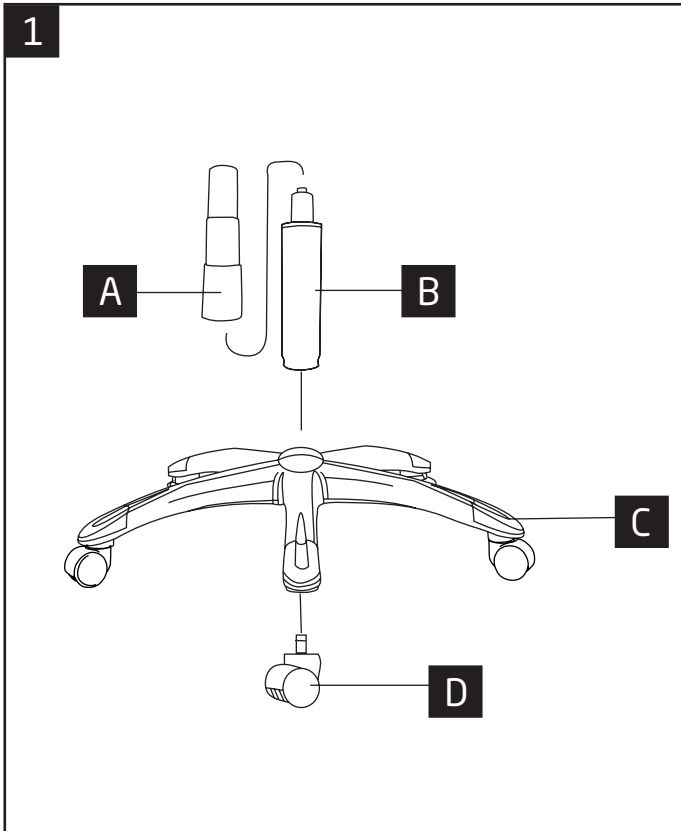


L x1

Northland Chair

AOC6332-L

alphason



Armour Home Electronics
Units 7 & 8, Stortford Hall Industrial Park,
Dunmow Road, Bishops Stortford,
Hertfordshire, UK, CM23 5GZ



www.armourhome.co.uk



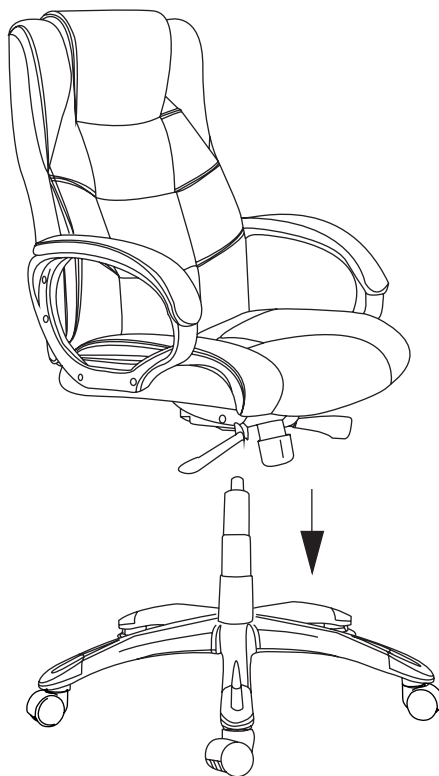
0845 130 6686

Northland Chair

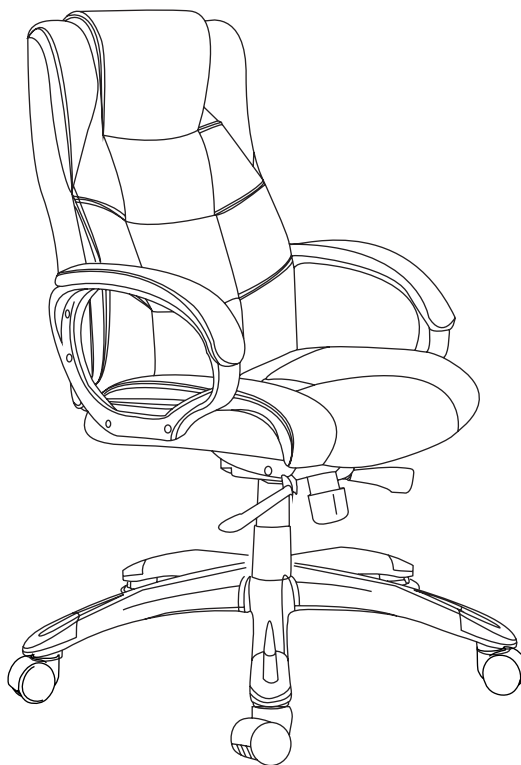
AOC6332-L

alphason

5



6



Armour Home Electronics
Units 7 & 8, Stortford Hall Industrial Park,
Dunmow Road, Bishops Stortford,
Hertfordshire, UK, CM23 5GZ



www.armourhome.co.uk



0845 130 6686

Northland Chair

AOC6332-L

alphason

Safety Instructions

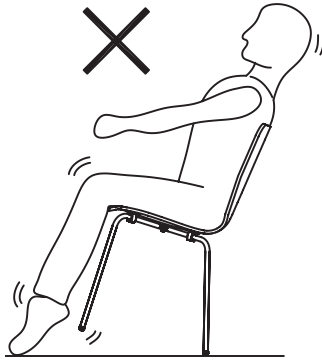
Periodically check all fixings to ensure none have come loose and re-tighten where necessary.

Please take care when handling or moving the furniture as careless handling may cause damage or injury.

Furniture can be dangerous if incorrectly installed. Assembly should be carried out by a competent person. No liability will be accepted for damage or injury caused by incorrectly installed or assembled furniture.

It is recommended that before moving heavy objects to a new location they are completely dis-assembled to avoid personal injury or damage to the furniture. Please be careful to retain all fittings when doing this.

Never tilt the chair. Ensure the chair is always placed firmly on the ground.

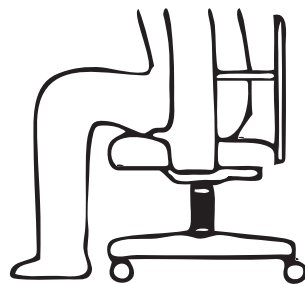


WARNING :

Sit on the chair to use the weight of the body to tighten the joint on the column and the seat.

Please note this is not a permanent fit due to the rise & fall and 360 degree turning action.

Always take care and keep feet clear of base when moving / lifting this product.



Do not stand on chair or use a ladder as this may cause serious injury.

Do not use the chair if any part appears damaged, broken or missing.

Do not use the chair unless all components are correctly fitted and adjusted.

PLEASE KEEP THESE INSTRUCTIONS FOR FUTURE REFERENCE



Armour Home Electronics
Units 7 & 8, Stortford Hall Industrial Park,
Dunmow Road, Bishops Stortford,
Hertfordshire, UK, CM23 5GZ



www.armourhome.co.uk



0845 130 6686

Northland

Technical Sheet

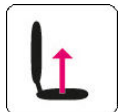
AOC6332-L-

Design Highlights

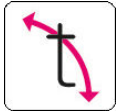
- High backed executive chair in soft-feel leather
- Generously padded seat, arms and headrest
- Stylish painted silver base and frame
- Locking tilt mechanism with tension control
- Height adjustable
- Seat Dims (mm):
H 500-600 x W 520 x D 485
- EAN – Black: 5030752007083
Brown: 5030752008684



Made from high quality, soft-feel leather, the Northland is the ultimate in executive chairs. For added comfort it features a generously proportioned seat with thick padding, a high backrest for pronounced lumbar and neck support, and padded arms. The Northland is complete with a fully reclining lockable tilt mechanism, with tension control and height adjustment.



Seat Height Adjustment

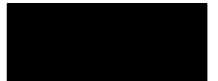


Traditional Tilt



Weight Tension Control

Black



Brown



www.alphasondesigns.com



CSEurope@Dorel.com



01942 524100



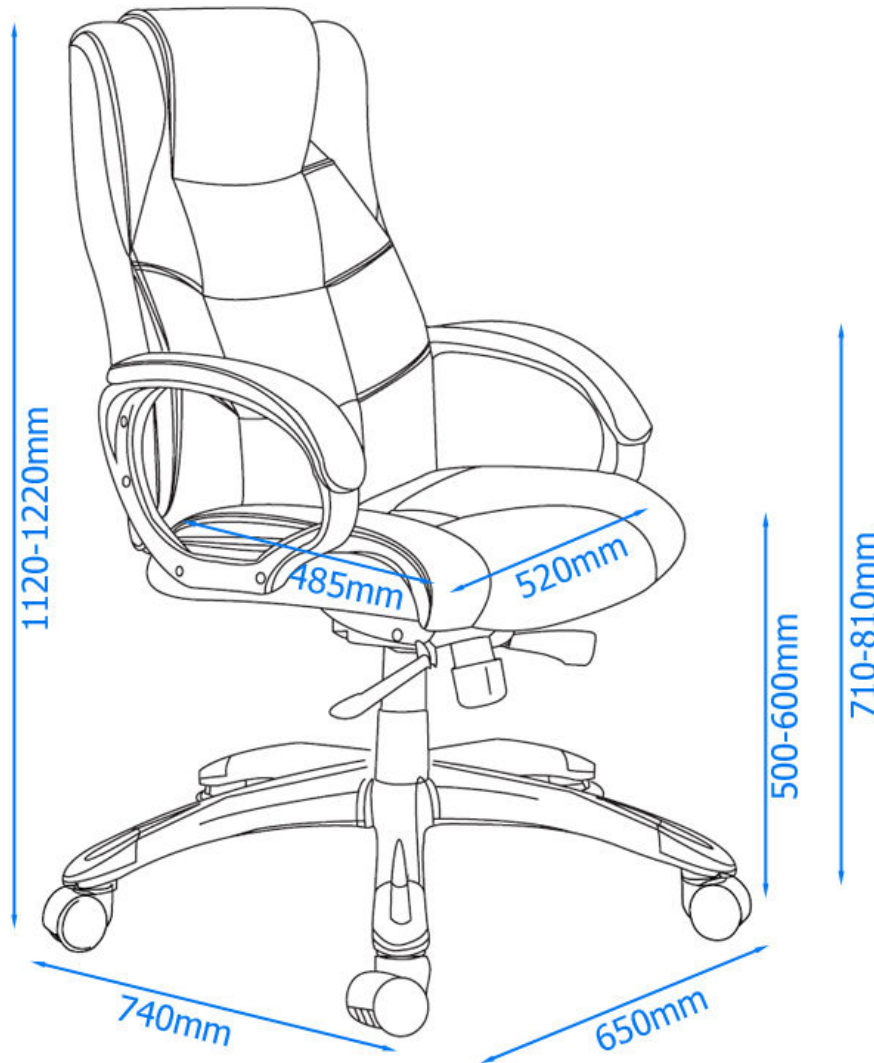
Dorel Home Furnishings Europe Ltd, 244 Swan Lane, Hindley Green, Wigan, UK, WN2 4EY

alphason

Northland

Technical Sheet

AOC6332-L-



SPECIFYING

Seat Height (mm)	500-600
Max. User Weight (kg)	114
Max. Recommended Use (hours)	8
Product Weight (kg)	20.85
Dims: H 1220 x W 650 x D 740 (mm)	

PACKAGING

Number of Boxes	1
Width (mm)	710
Height (mm)	630
Depth (mm)	310
Weight (kg)	24



www.alphasondesigns.com



CSEurope@Dorel.com



01942 524100



Dorel Home Furnishings Europe Ltd, 244 Swan Lane, Hindley Green, Wigan, UK, WN2 4EY

alphason