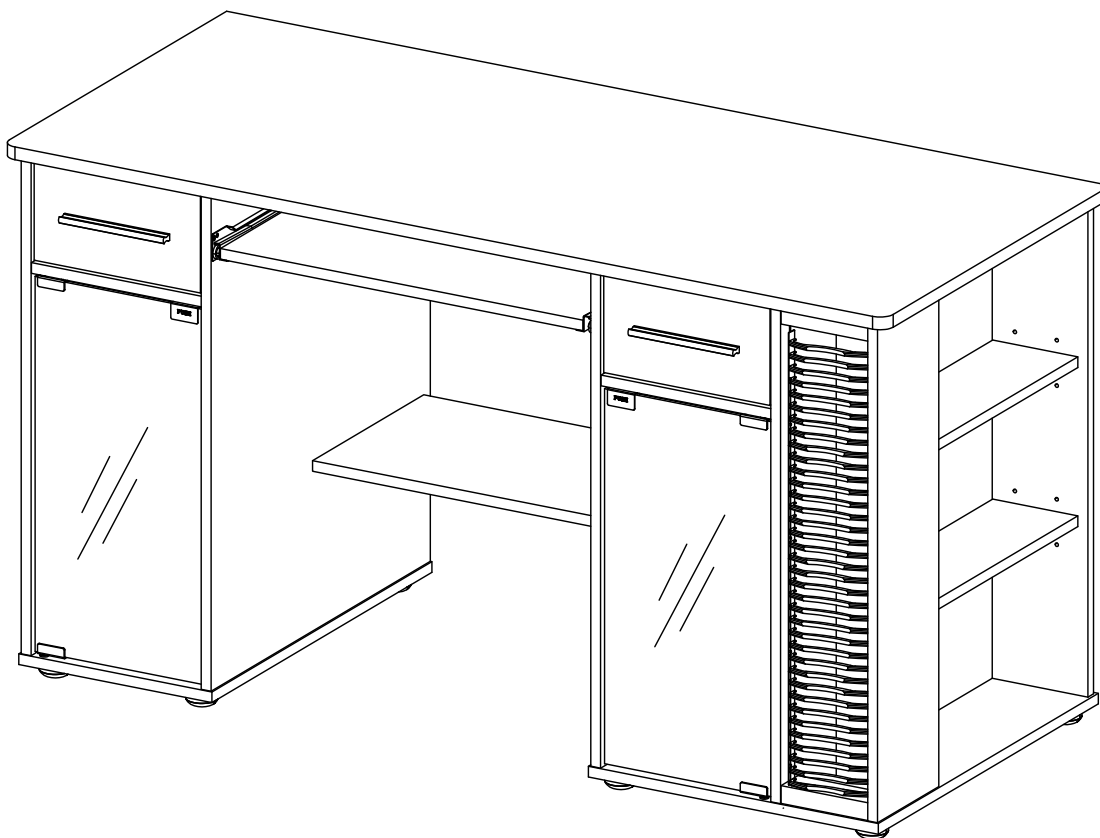


alphason

AW12007



REFERENCE NO:

POR000000

Please retain this booklet as you will be asked to quote this number for any warranty or product related queries

Issue: 00/00/00

PLEASE INSPECT ALL PARTS PRIOR TO ASSEMBLY AND CONTACT US IF ANY OF THE PARTS ARE DAMAGED OR MISSING. THIS MUST BE DONE BEFORE ATTEMPTING ASSEMBLY.



Need help or advice? Missing/damaged parts?
Contact us directly on:

Helpline ☎ **0845 130 6686**

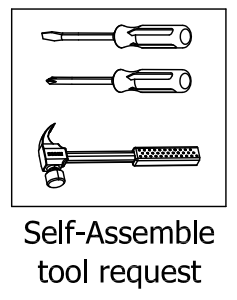
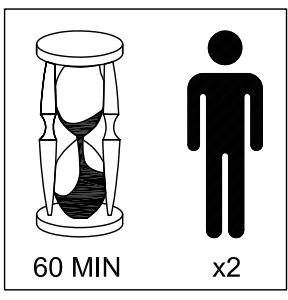
International Helpline (English Speaking): +44 1942 524 100



Interested in more Alphason products? Visit our website at:
www.alphasondesigns.com



Have a question? Want more information? Email us on?
customer.services@armourhome.co.uk



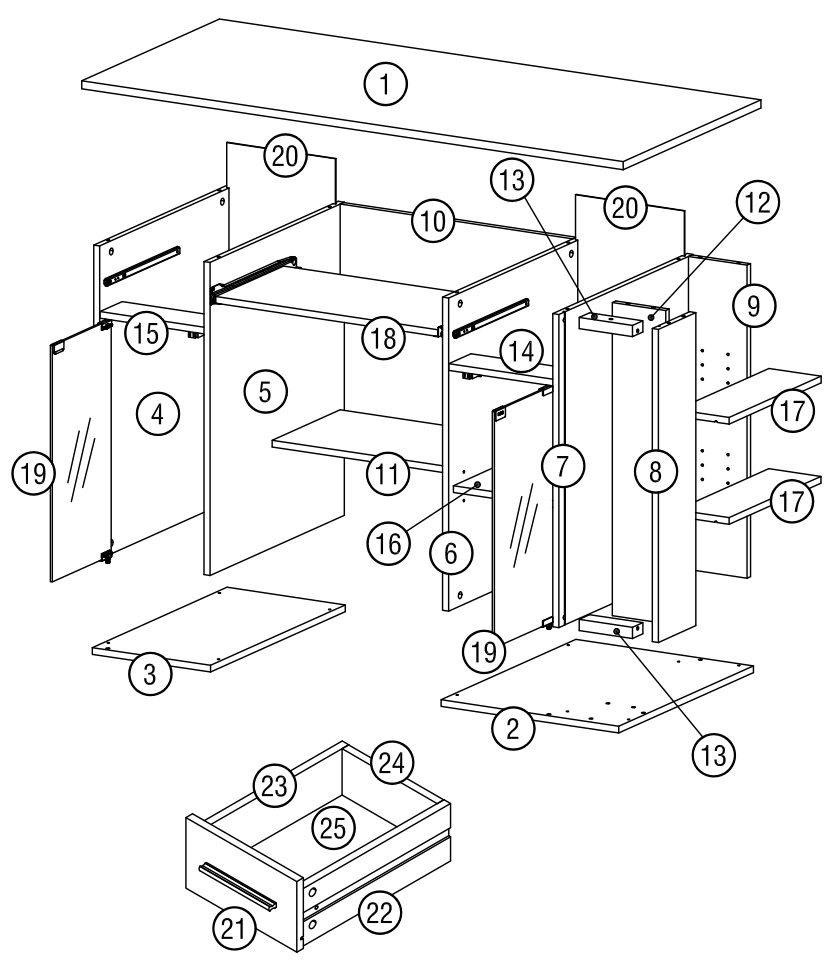
Instructions/Instrucciones/Mode d'emploi

- Do not tighten bolts completely until desk is fully assembled
- Por favor no apretar los tornillos hasta que haya ensamblado
- el escritorio completamente

PARTS LIST

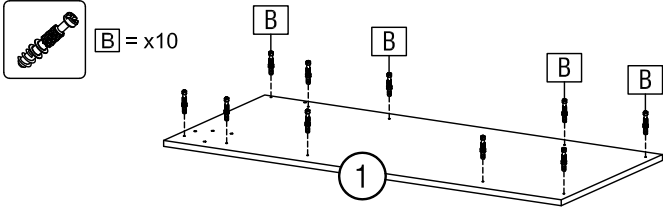
1	x1
2	x1
3	x1
4	x1
5	x1
6	x1
7	x1
8	x1
9	x1
10	x1
11	x1
12	x1
13	x2
14	x1
15	x1
16	x1

17	x1
18	x1
19	x2
20	x2
21	x2
22	x2
23	x2
24	x2
25	x2

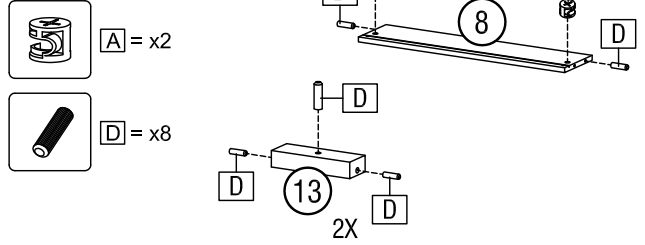


A x44	B x44	C x44	D x30	E x2	F 6 X 13 mm x8	G x8
H 4 x 22 mm x4	I x2	J x8	K 2 set	L 4 x 12 mm x4	M 1 set	N 6 X 25 mm x8
O x12	P x2	Q 2 set	R x4			

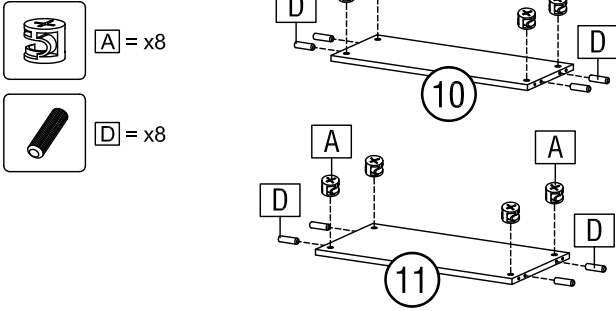
Step 1



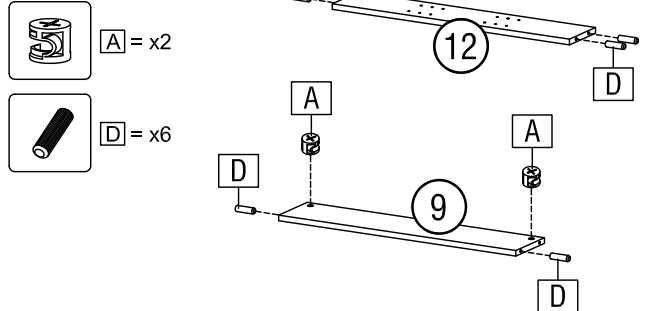
Step 2



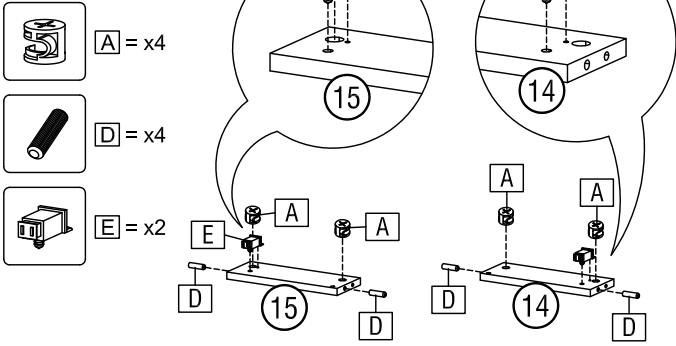
Step 3



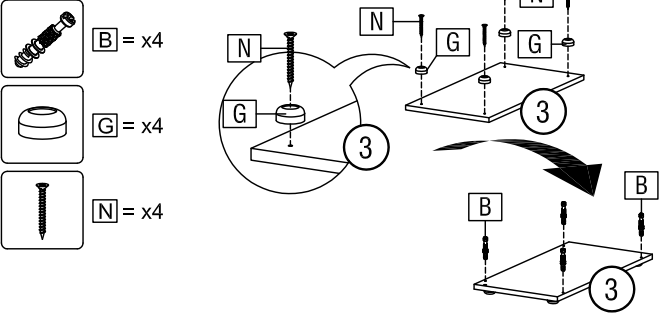
Step 4



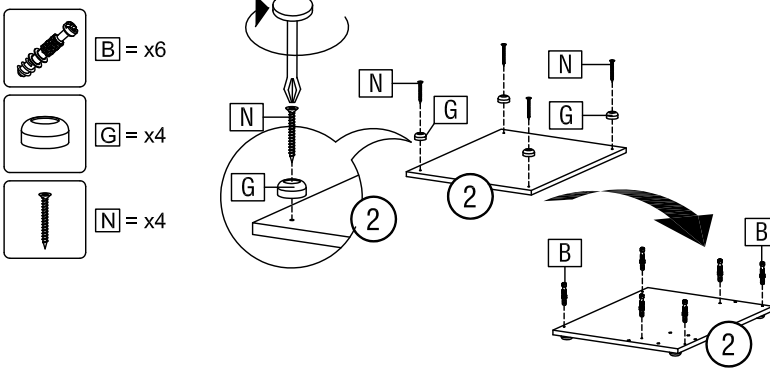
Step 5



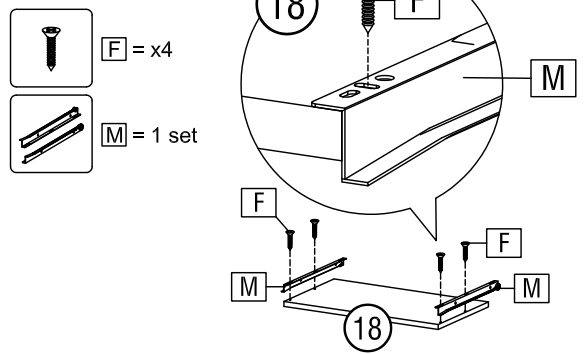
Step 6



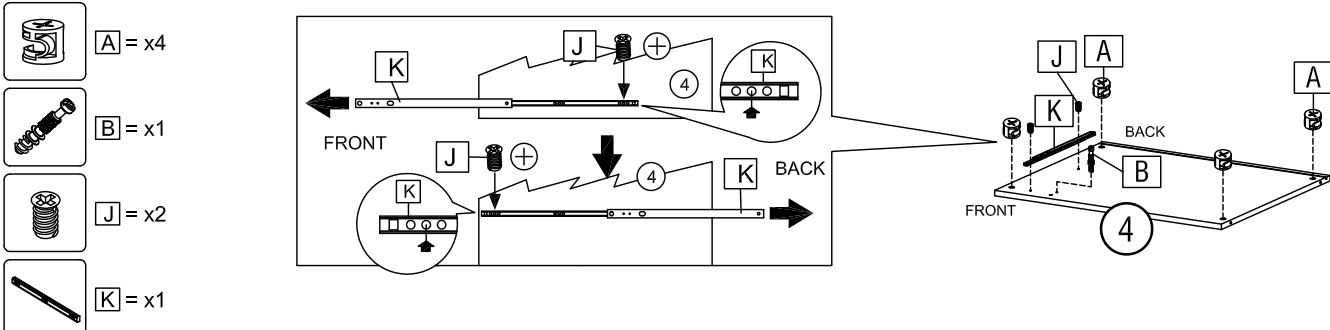
Step 7







Step 8

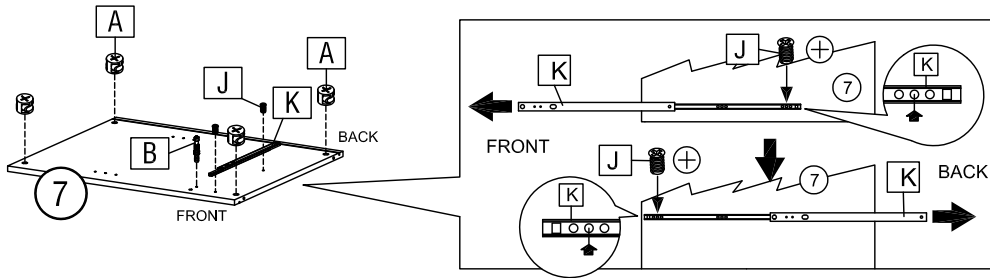


Step 9









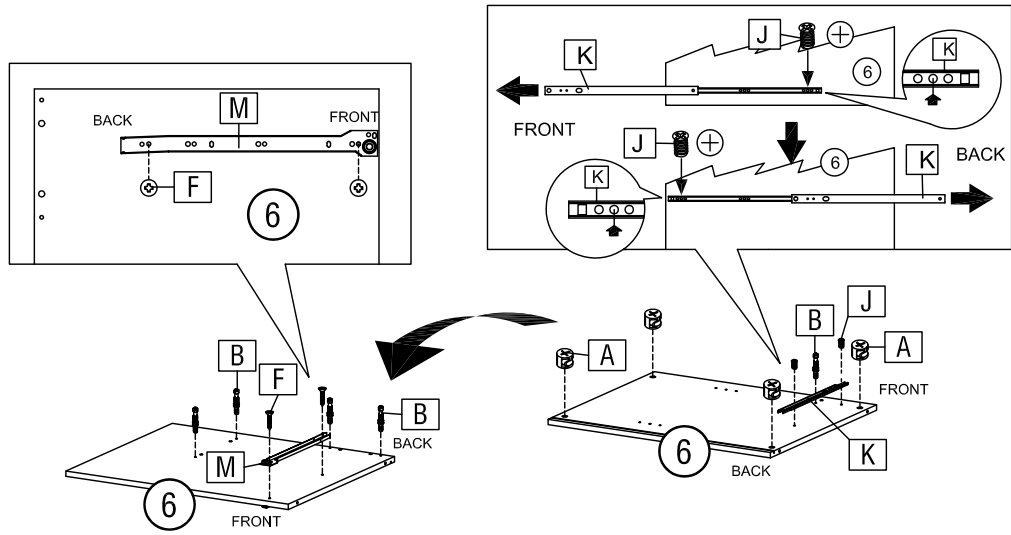
Step 10

-  A = x4
-  B = x1
-  J = x2
-  K = x1









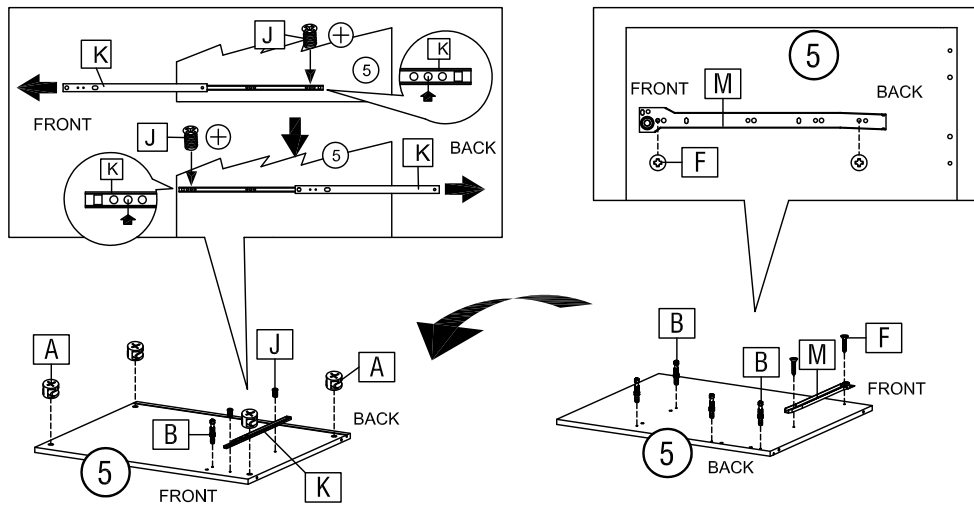
Step 11

-  A = x4
-  B = x5
-  F = x2
-  J = x2
-  K = x1
-  M = x1








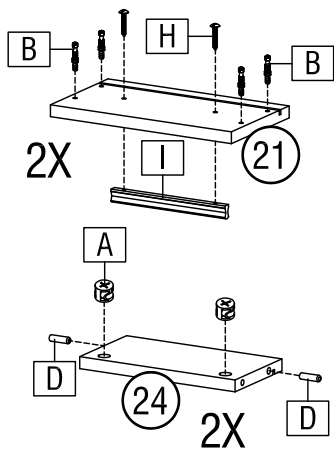
Step 12

-  A = x4
-  B = x5
-  F = x2
-  J = x2
-  K = x1
-  M = x1





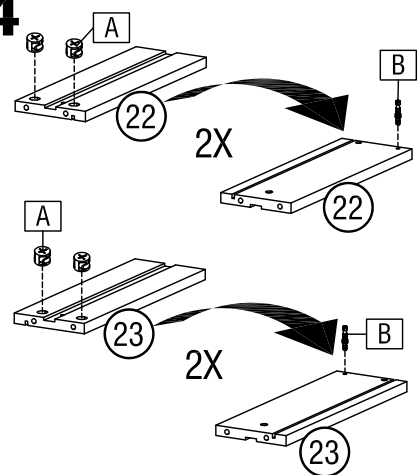
Step 13

-  A = x4
-  B = x8
-  D = x4
-  H = x4
-  I = x2




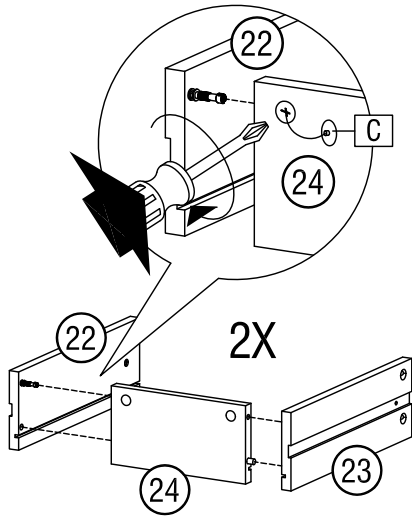
Step 14

-  A = x8
-  B = x4




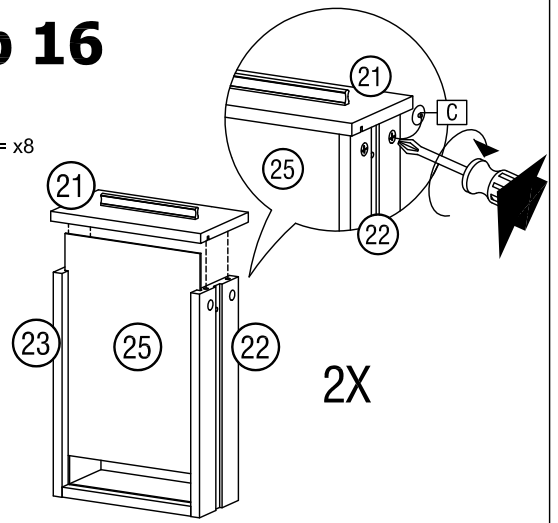
Step 15

 C = x4

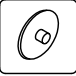


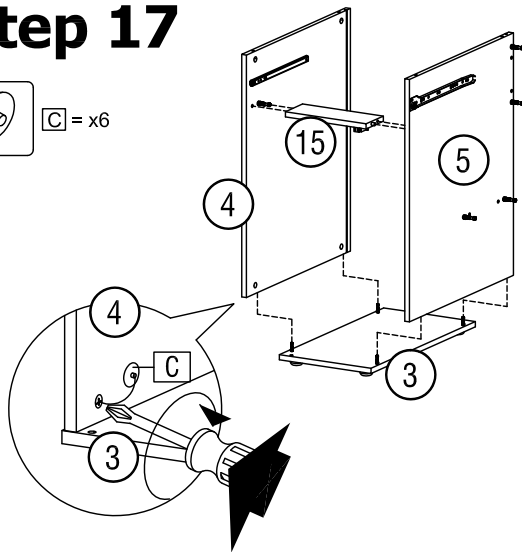
Step 16

 C = x8

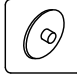


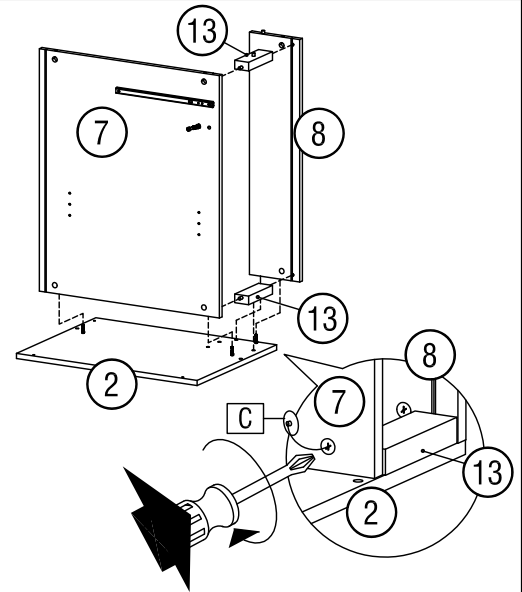
Step 17

 C = x6




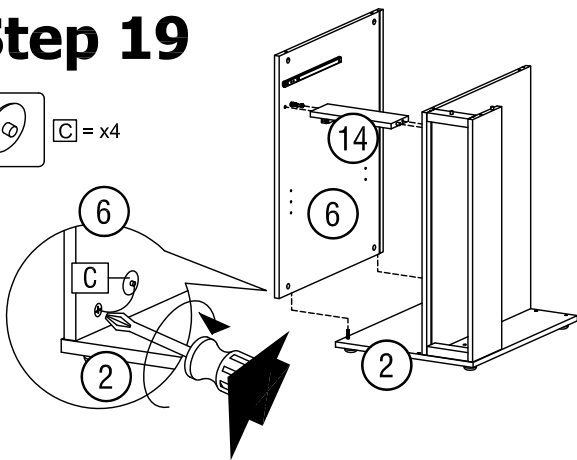
Step 18

 C = x3




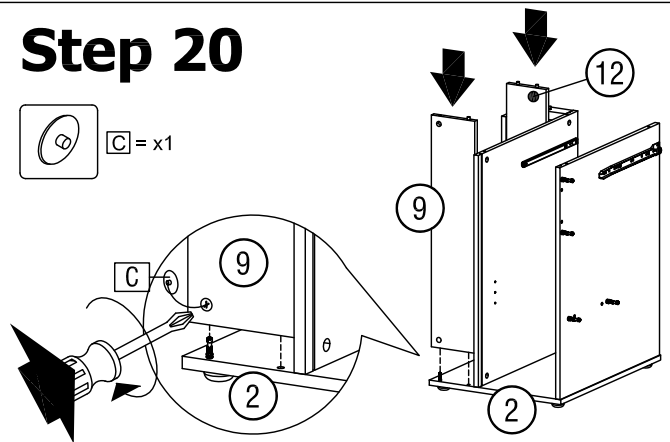
Step 19

 C = x4

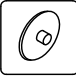


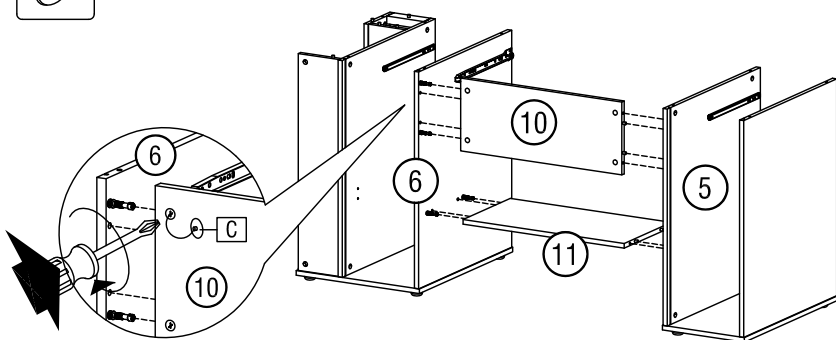
Step 20

 C = x1

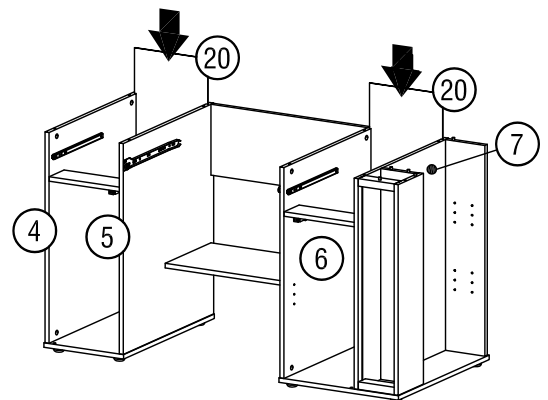


Step 21

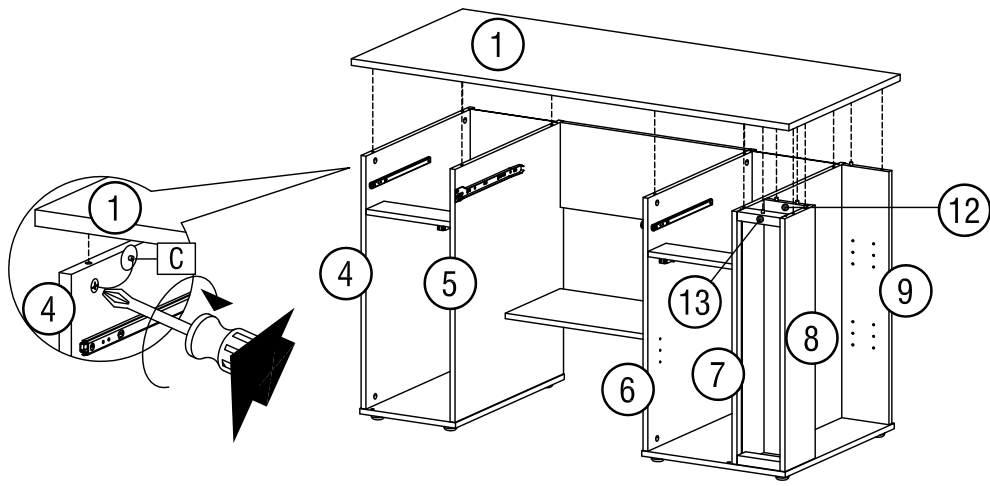
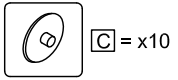
 C = x8



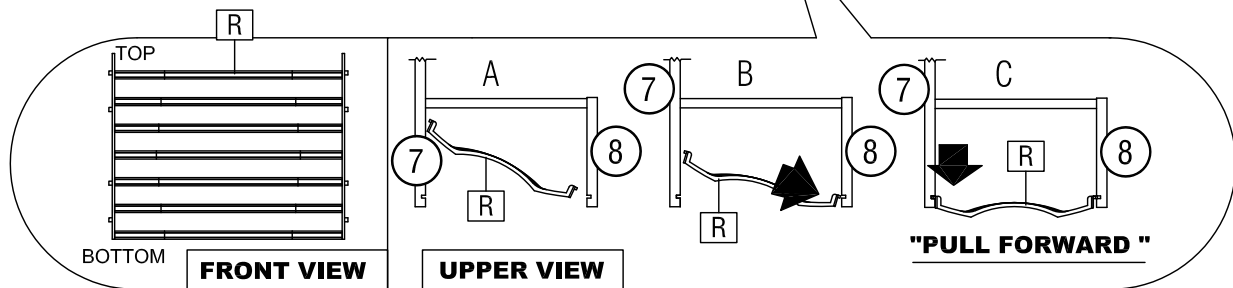
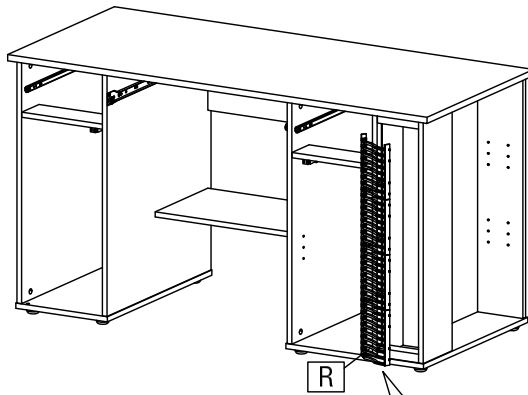
Step 22



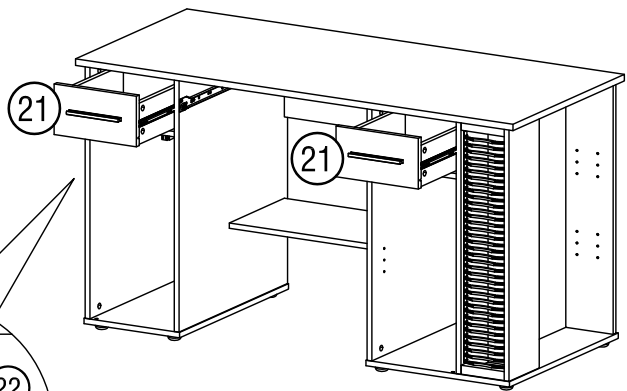
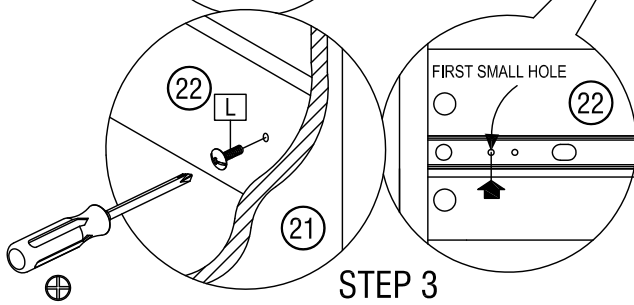
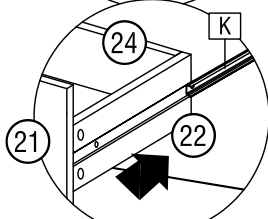
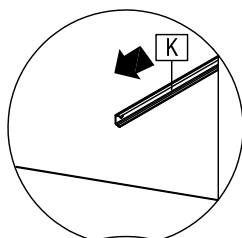
Step 23



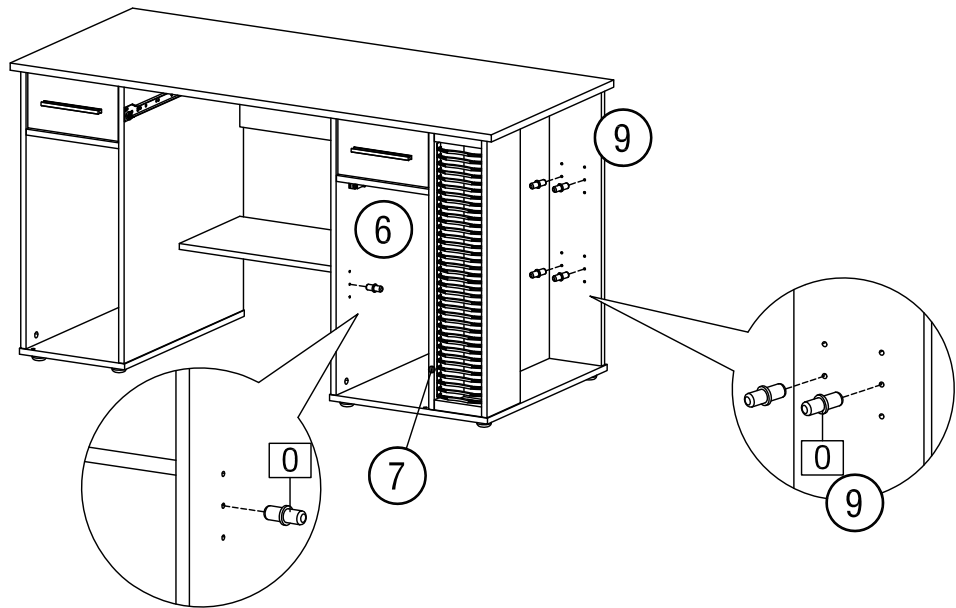
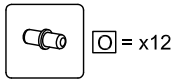
Step 24



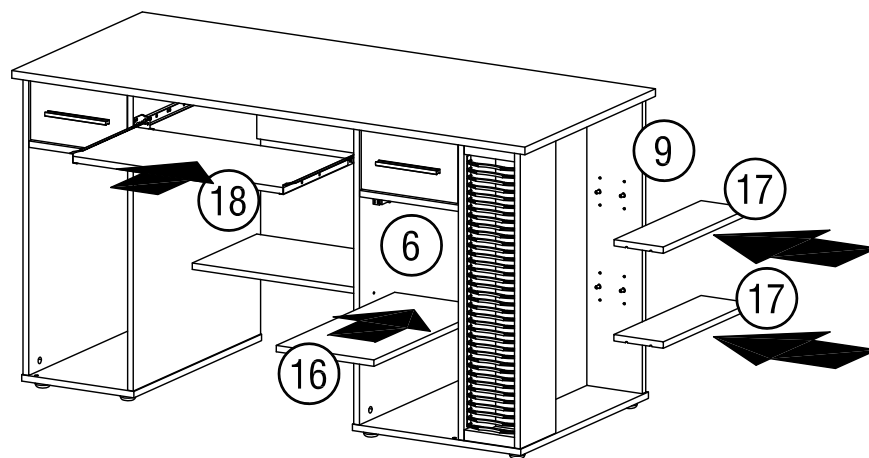
Step 25



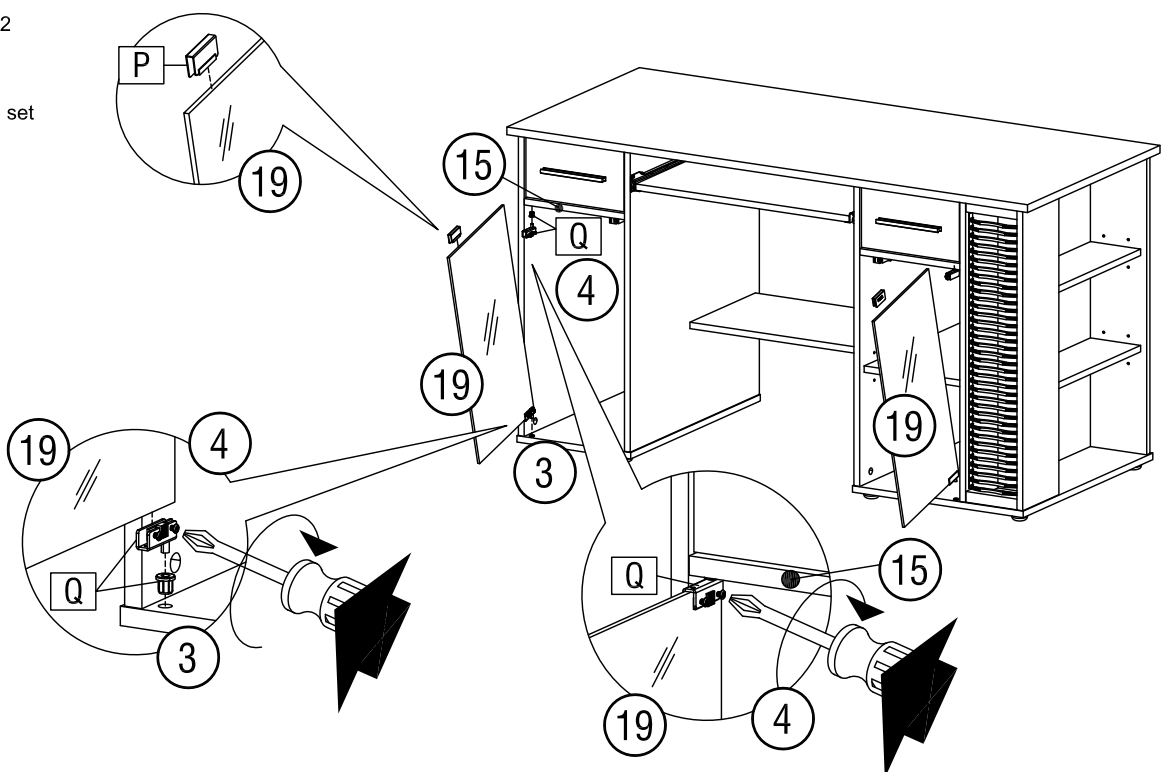
Step 26



Step 27



Step 28



San Jose

Technical Sheet

AW12007

Design Highlights

- Multifunctional work desk
- CPU cupboard and shelved storage cupboard both with push to open glass doors
- Sliding keyboard shelf
- 2 additional storage drawers with silver handles
- Large CD rack
- Working area (mm):
W 1350 x D 600
- EAN: 5030752010519



Perfectly combining traditional desks with contemporary design, the San Jose workstation has been equipped to hold a range of modern technology. Featuring a sliding shelf, large CD rack, printer shelf, 2 stationery drawers, CPU cupboard, plus 5 additional storage compartments, all finished with chrome handles and clear glass doors. The San Jose offers an unrivalled level of practicality, presented in a beautiful Beech workstation.

Beech



www.alphasondesigns.com



CSEurope@Dorel.com



01942 524100

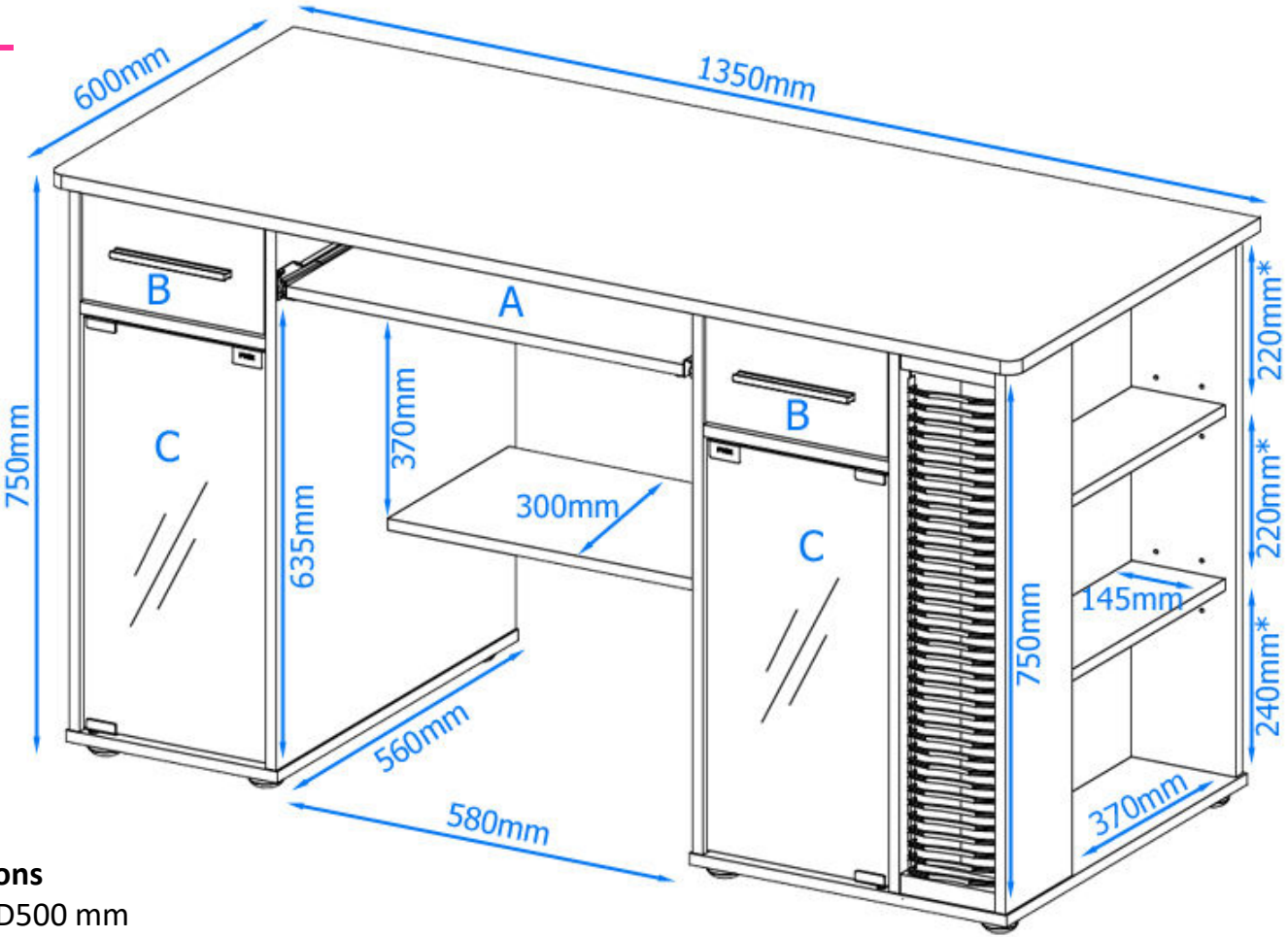


Dorel Home Furnishings Europe Ltd, 244 Swan Lane, Hindley Green, Wigan, UK, WN2 4EY

alphason

San Jose

AW12007



Internal Dimensions
 A: W550 x H65 x D500 mm
 B: W200 x H70 x D265 mm
 C: W245 x H540 x D540 mm
 *Shelves are height adjustable

SPECIFYING		
Table Top Height	(mm)	750
Leg Clearance Width	(mm)	580
Number of Drawers		2
Product Weight	(kg)	51.5
Dims: H 750 x W 1350 x D 600 (mm)		

PACKAGING		
Number of Boxes		2
Width	(mm)	Box1: 770 Box2: 1420
Height	(mm)	Box1: 138 Box2: 68
Depth	(mm)	Box1: 606 Box2: 625
Weight	(kg)	Box1: 28 Box2: 27.5