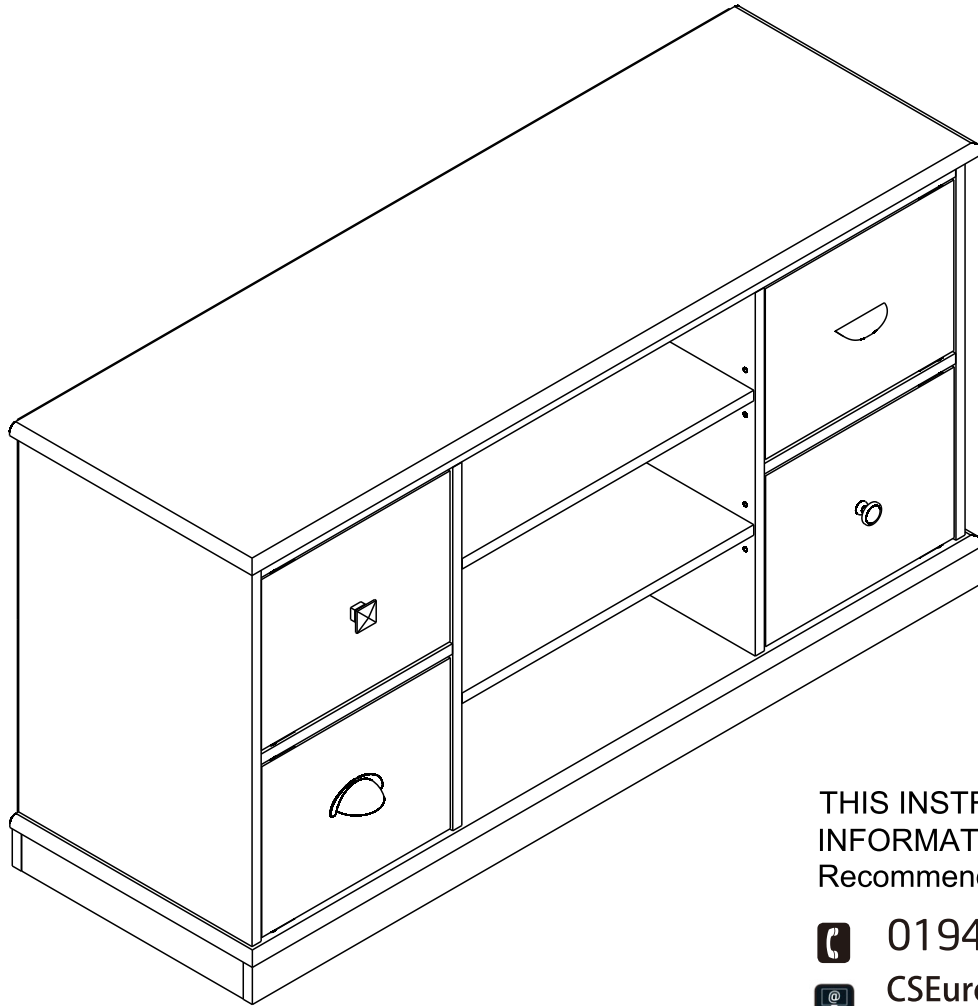


1739096UK - White 1739196PCOMUK - Black



PLACE LABEL
Q16714-SK
HERE

THIS INSTRUCTION BOOKLET CONTAINS IMPORTANT SAFETY INFORMATION. PLEASE READ AND KEEP FOR FUTURE REFERENCE.

Recommended # of people needed for assembly: 2



01942 524100



CSEurope@dorel.com



Dorel Home Furnishings Europe Ltd. Building 4, Imperial Place
Maxwell Road, Borehamwood WD6 1JN, United Kingdom

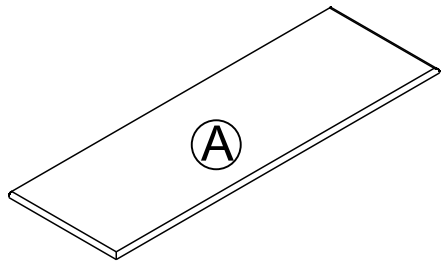
Before starting

- ❑ Read each step carefully before starting. It is very important that each step of instruction is performed in the correct order. If these steps are not followed in sequence, assembly difficulties will occur.
- ❑ Make sure all parts are included. Most board parts are labeled or stamped on the raw edge.
- ❑ Work in spacious area, preferably on a carpet, near the place the unit will be used.
- ❑ Have the following tools close at hand.
- ❑ Do not use power tools to assemble your furniture. Power tools may strip or damage the parts.

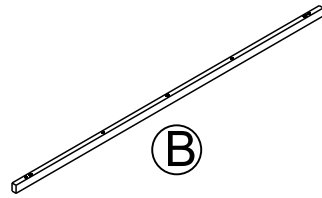
HELPFUL HINTS

- Identify, sort and count the parts before attempting assembly.
- Call our toll free number if you need assistance identifying parts.
- Compression dowels are tapped in with a hammer.
- Slides have lips only on the right side.
- Cam locks that are properly fastened on a horizontal board will face toward the center of the unit, on a vertical board the point on the lock will face the bottom.
- Back panels provide stability and support. Use all the nails provided.
- When tapping nails into a board, be sure there are equal margins on all sides to square the unit.
- Units without the back panel installed may collapse.
- Clean the product with your favorite furniture polish and a soft cloth. DO NOT USE harsh chemicals or abrasive cleaners.
- Move your new furniture carefully, with two people lift and carry the unit to it's new location.
- Never push, drag or scoot your furniture (especially on carpet).
- Your furniture can be disassembled and reassembled to move.
- Additional parts are available for a nominal fee.

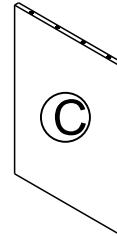
PARTS



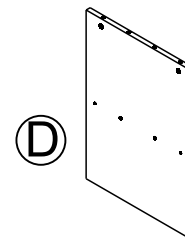
Hutch top shelf



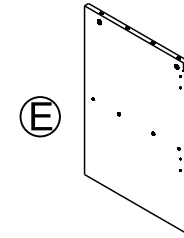
Shelf apron



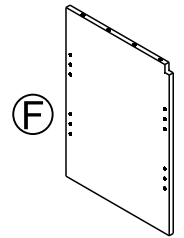
Left side panel



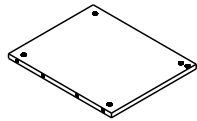
Right side panel



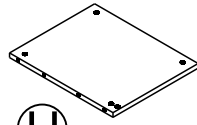
Left partition



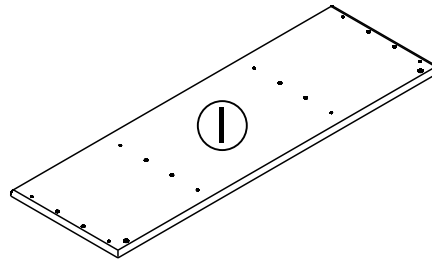
Right partition



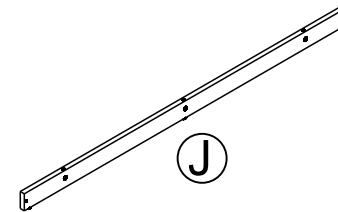
Left fixed shelf



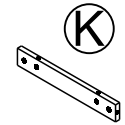
Right fixed shelf



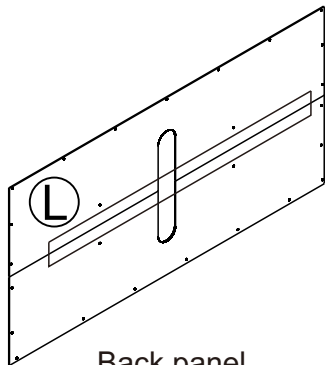
Bottom shelf



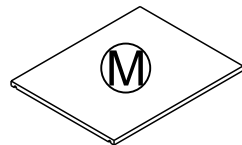
Front and back base panel (2)



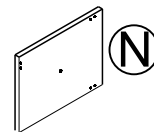
Side panel (2)



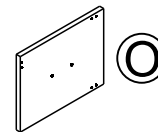
Back panel



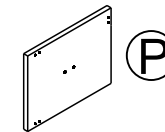
Center adjustable shelf (2)



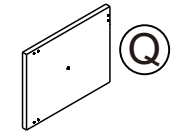
Upper left door



Lower left door

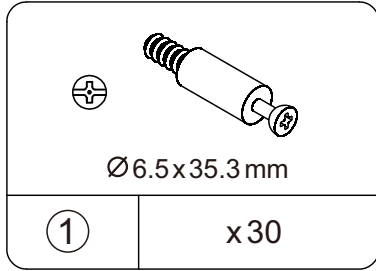


Upper right door

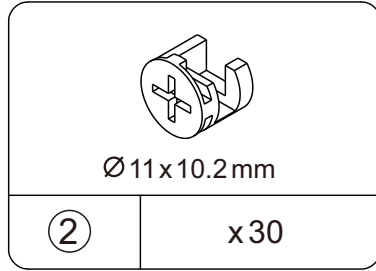


Lower right door

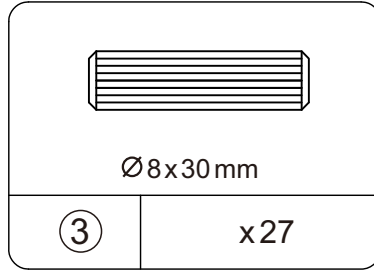
PARTS



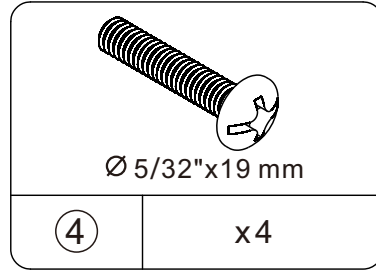
Cam bolt



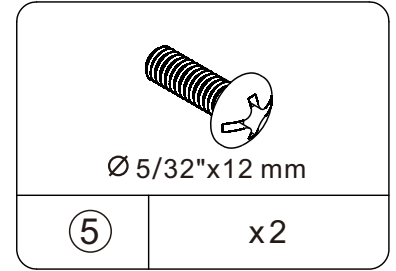
Cam lock



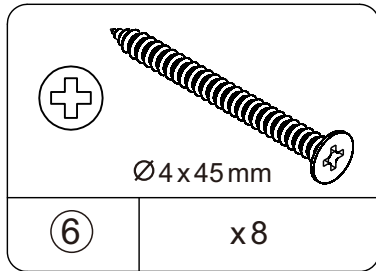
Wooden dowel



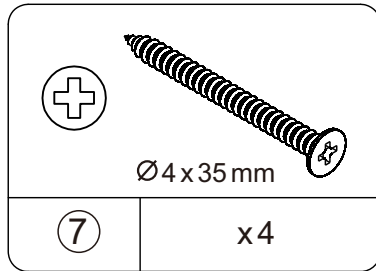
Screw



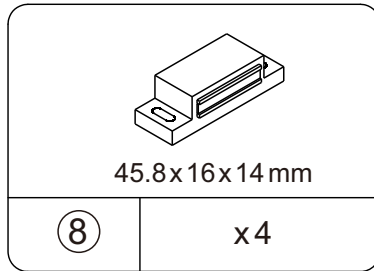
Screw



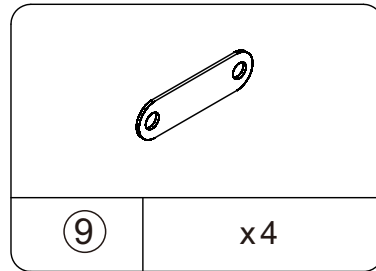
Screw



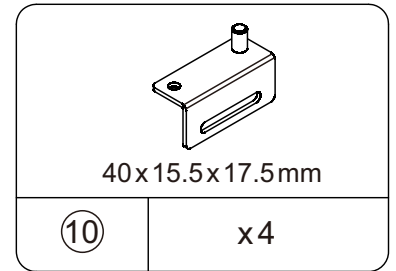
Screw



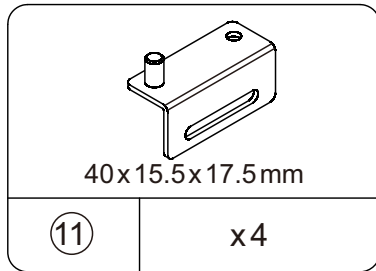
Magic catch



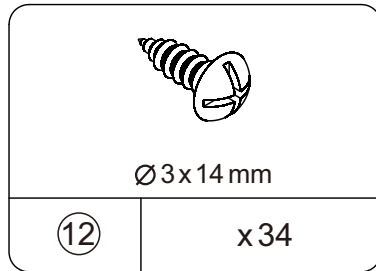
Magic catch plate



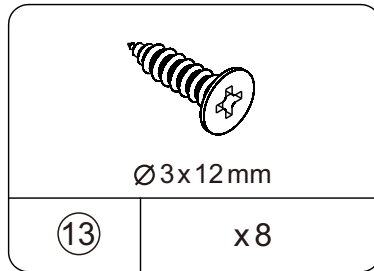
Handle



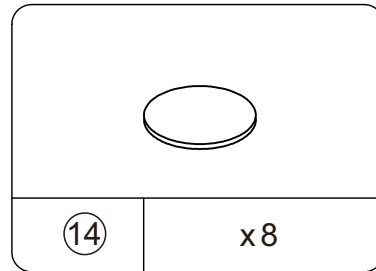
Handle



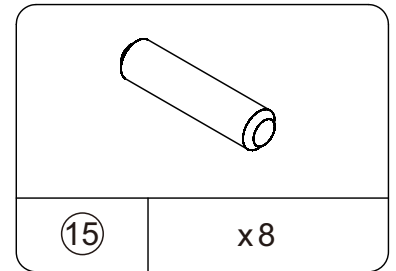
Screw



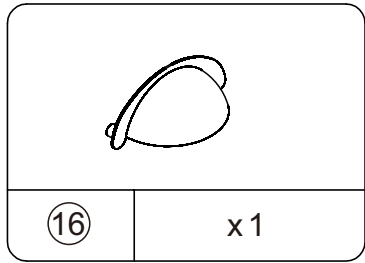
Screw



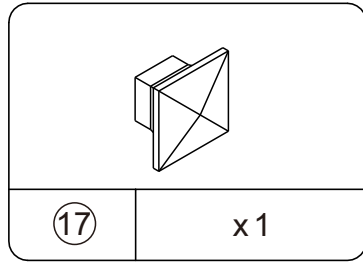
Cover cap



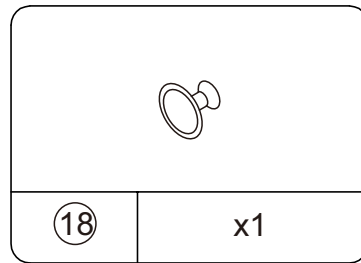
Iron dowel



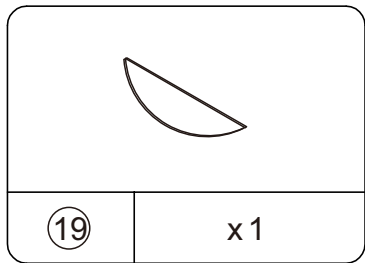
Pull



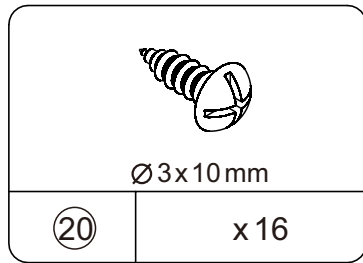
Knob



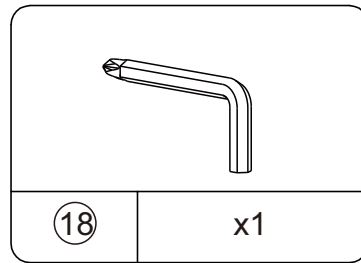
Knob



Pull

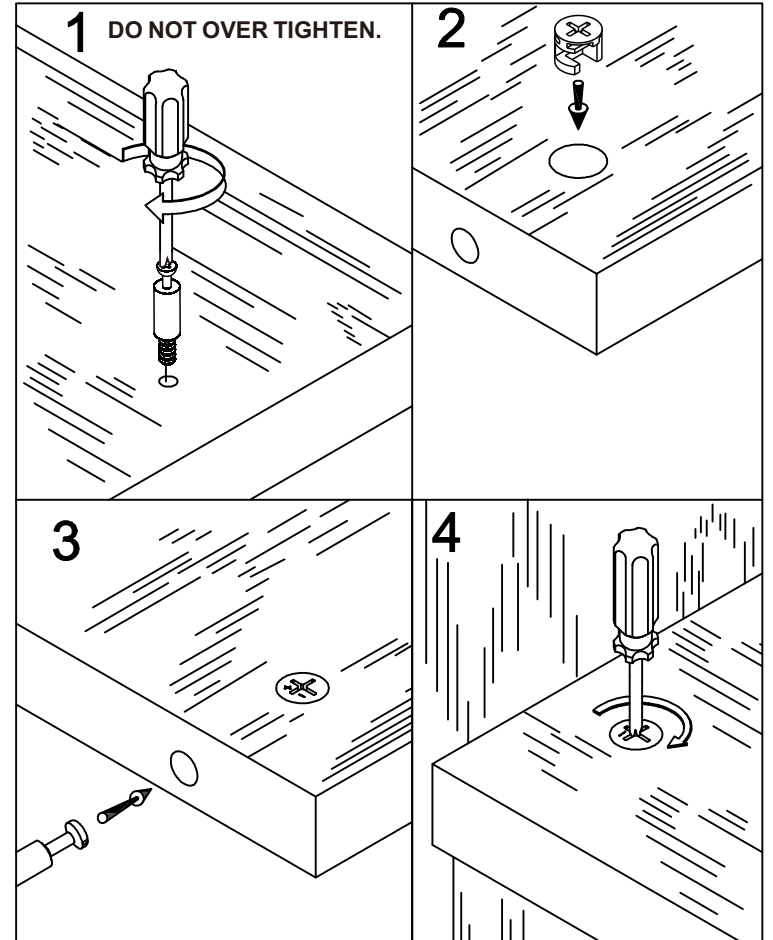


Screw

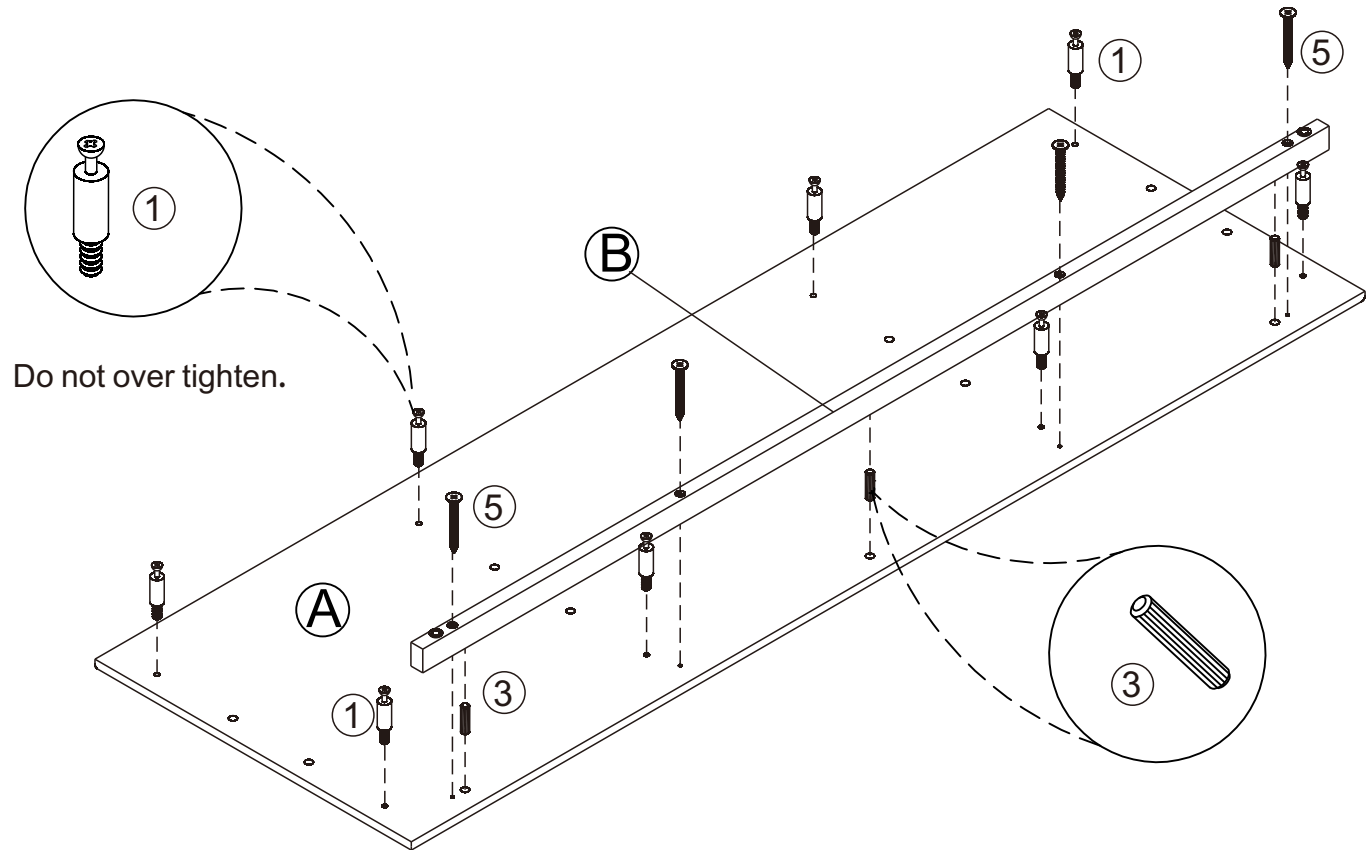
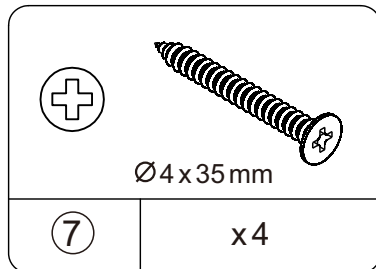
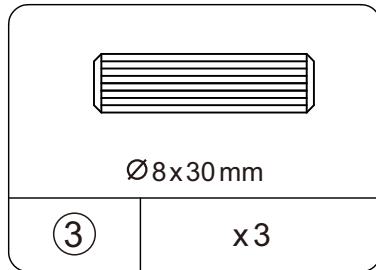
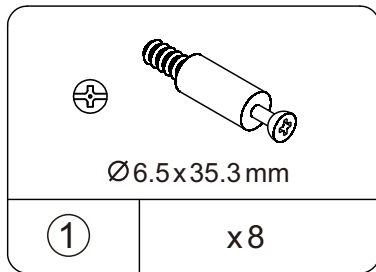


Allen key

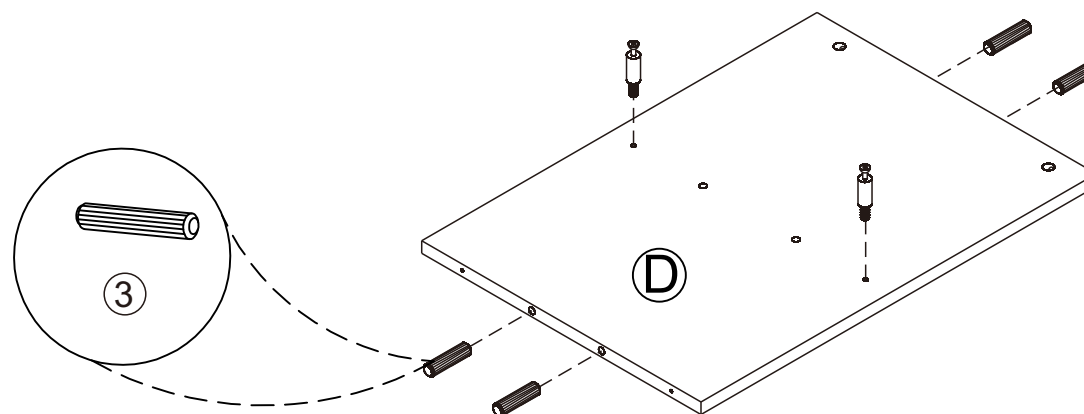
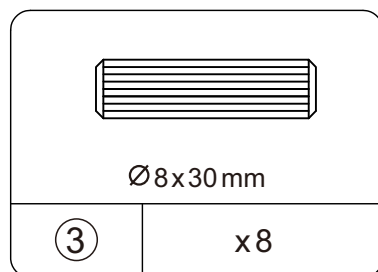
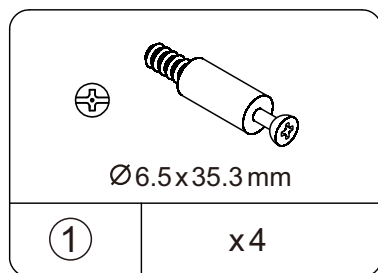
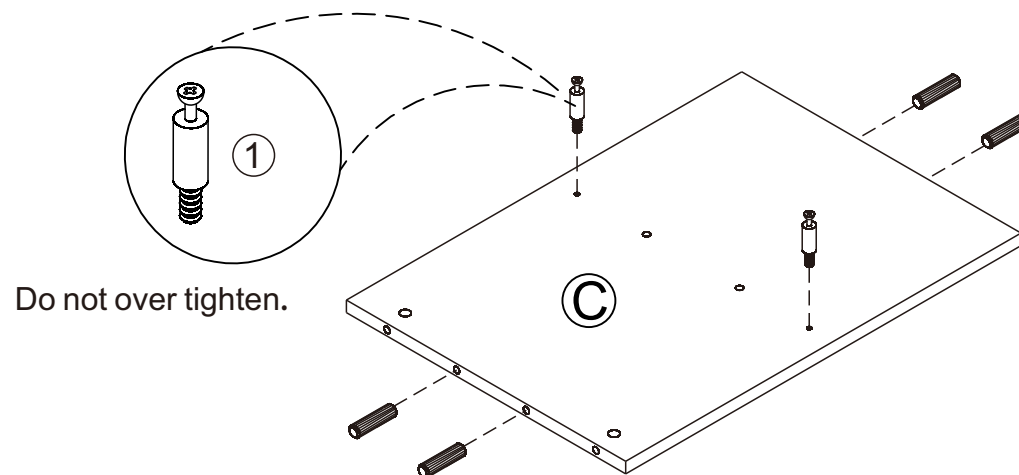
This illustration shows how the CAM fastener system works.



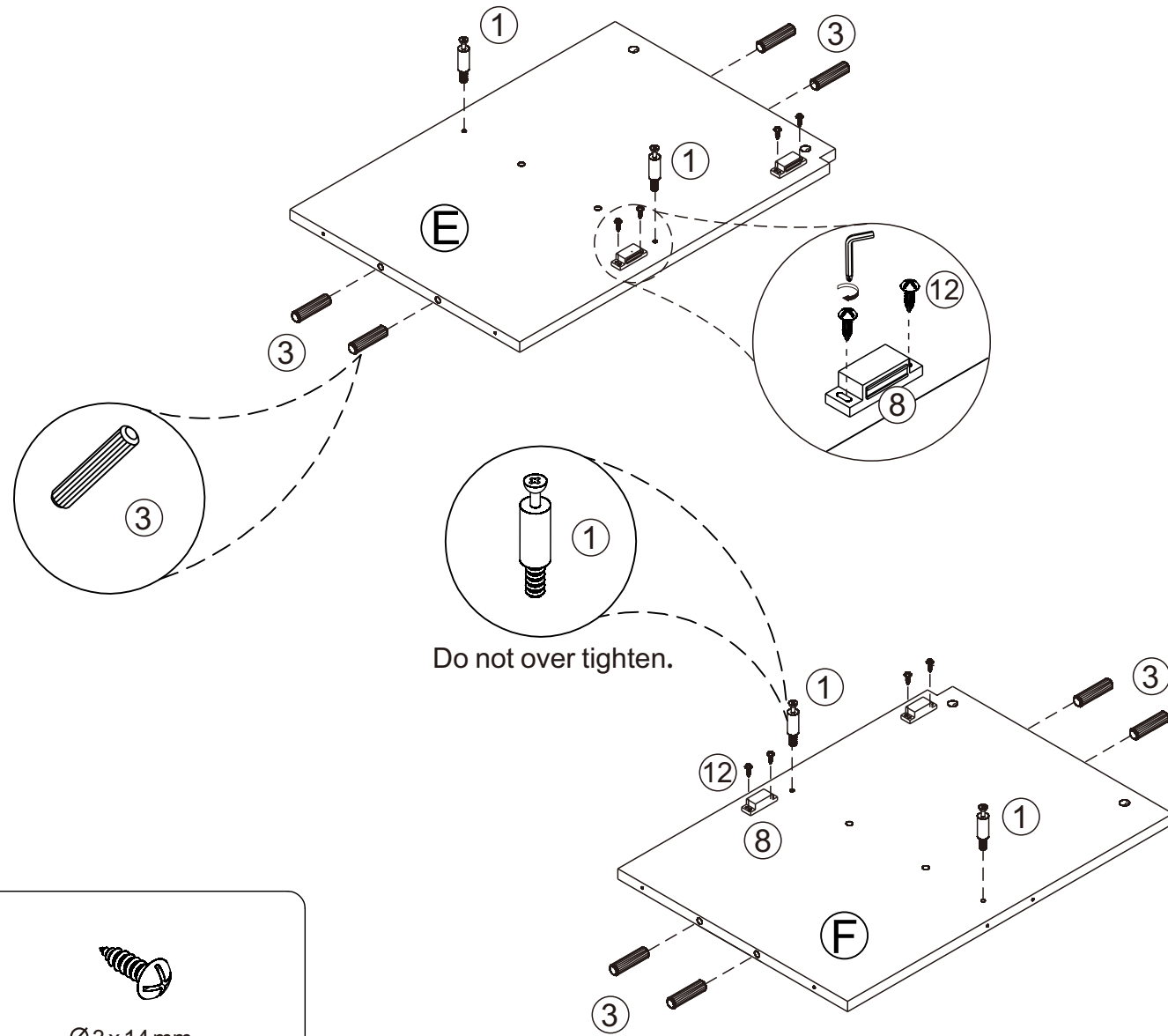
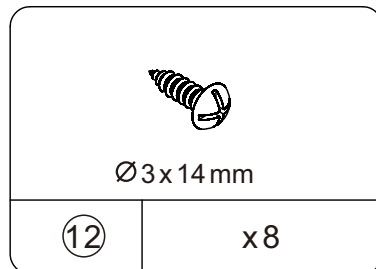
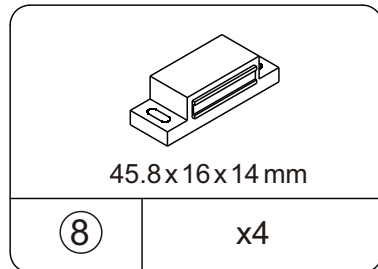
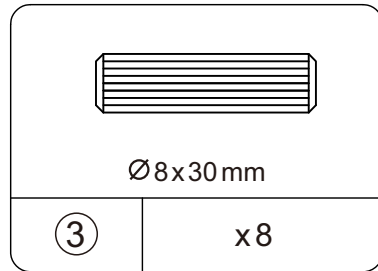
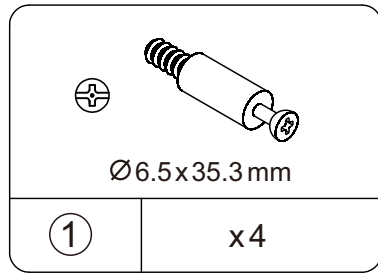
1



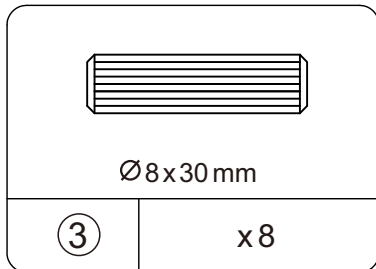
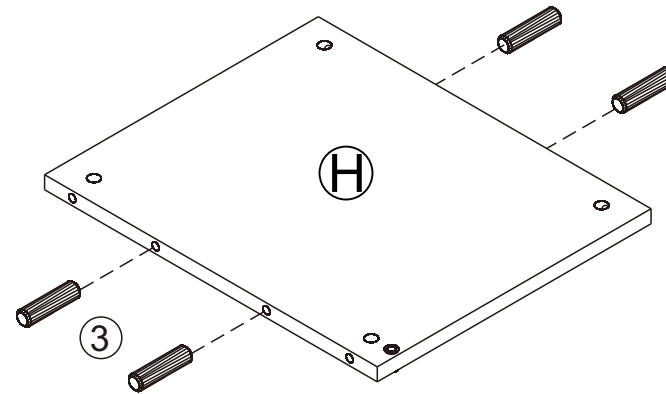
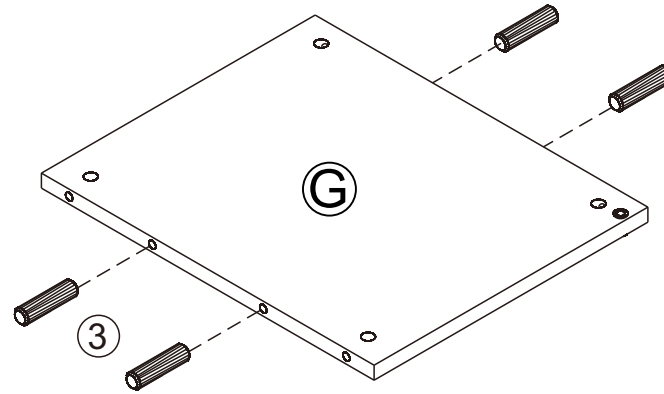
2



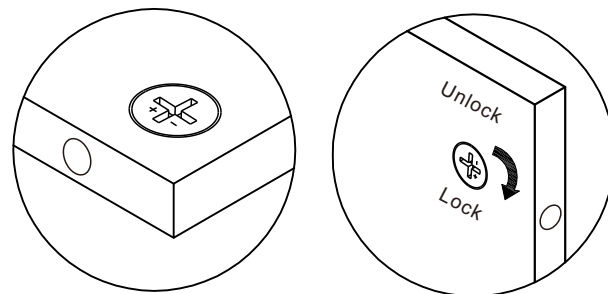
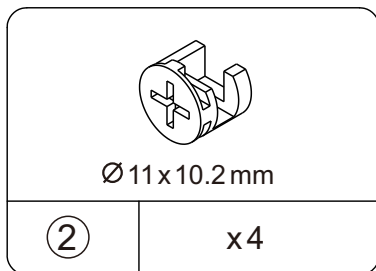
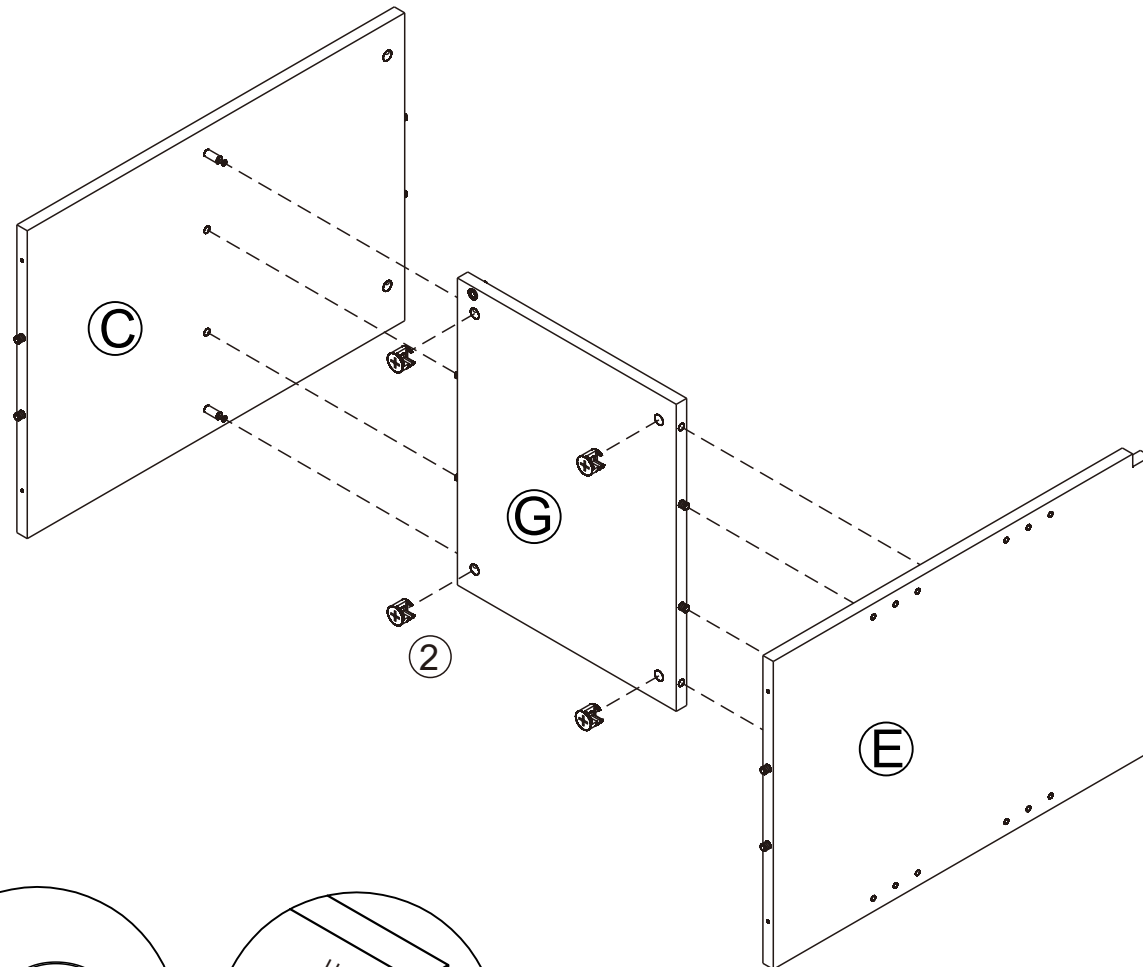
3



4

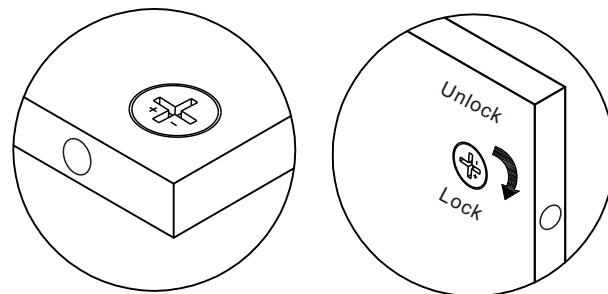
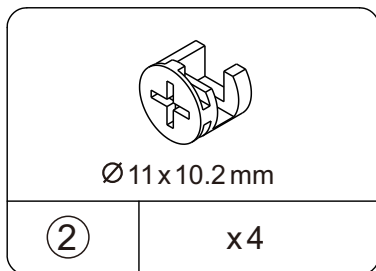
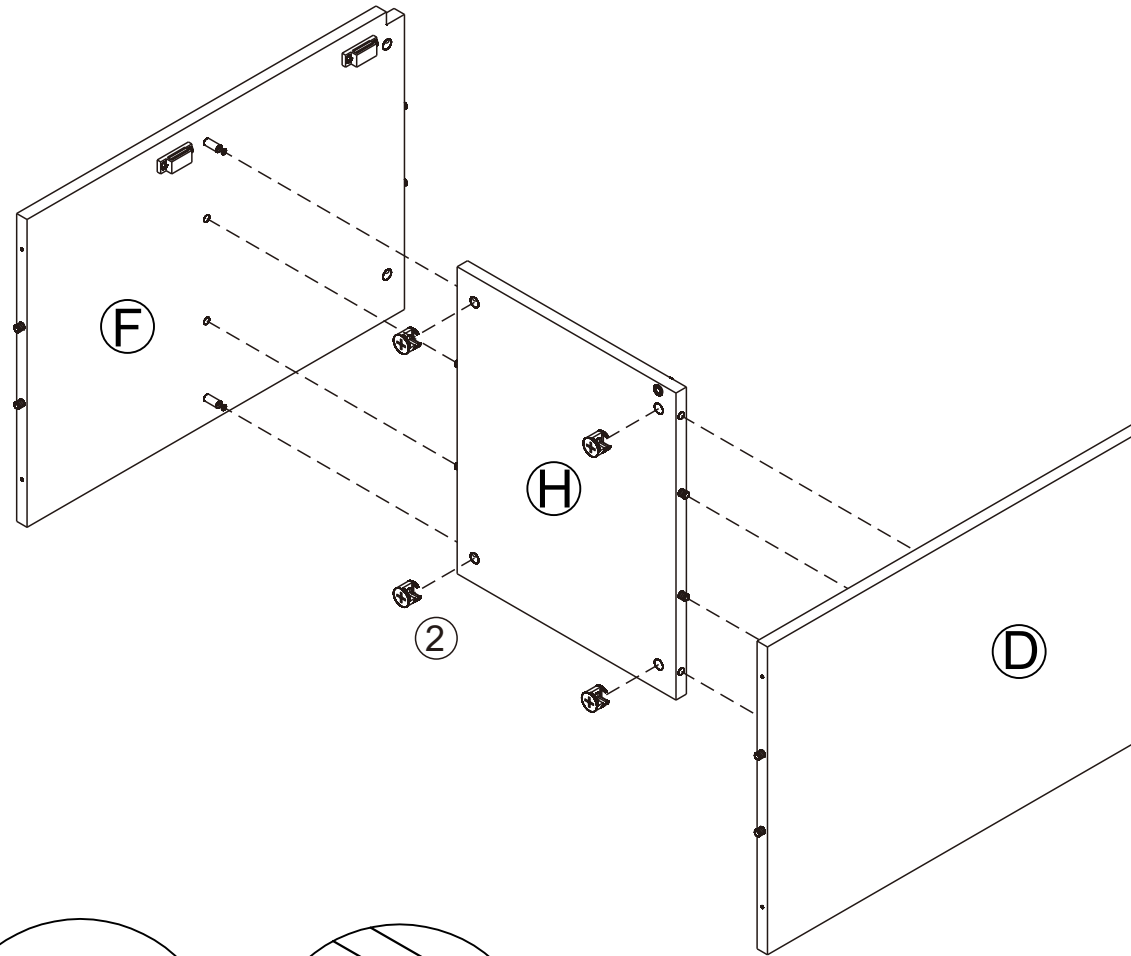


5



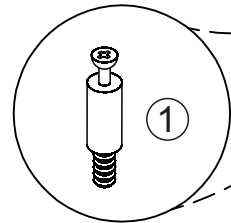
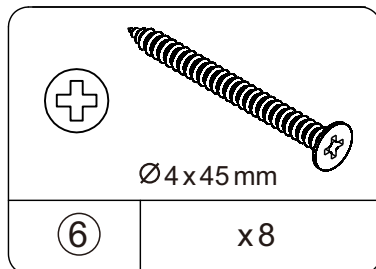
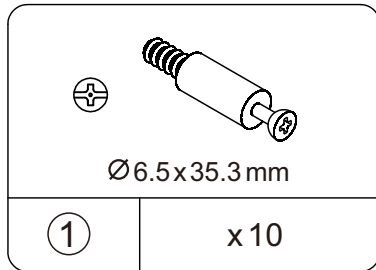
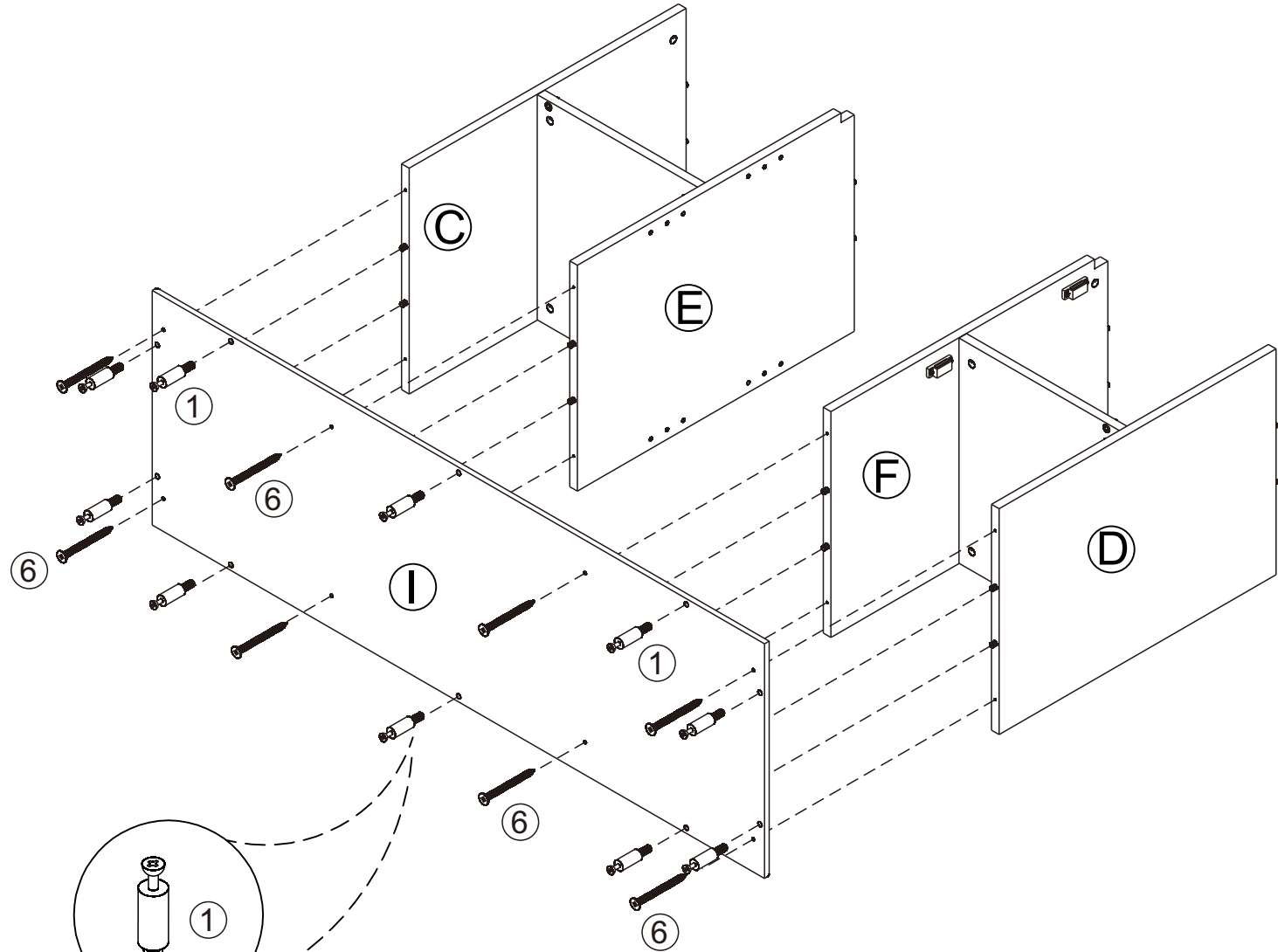
Proper orientation of cam lock.

6



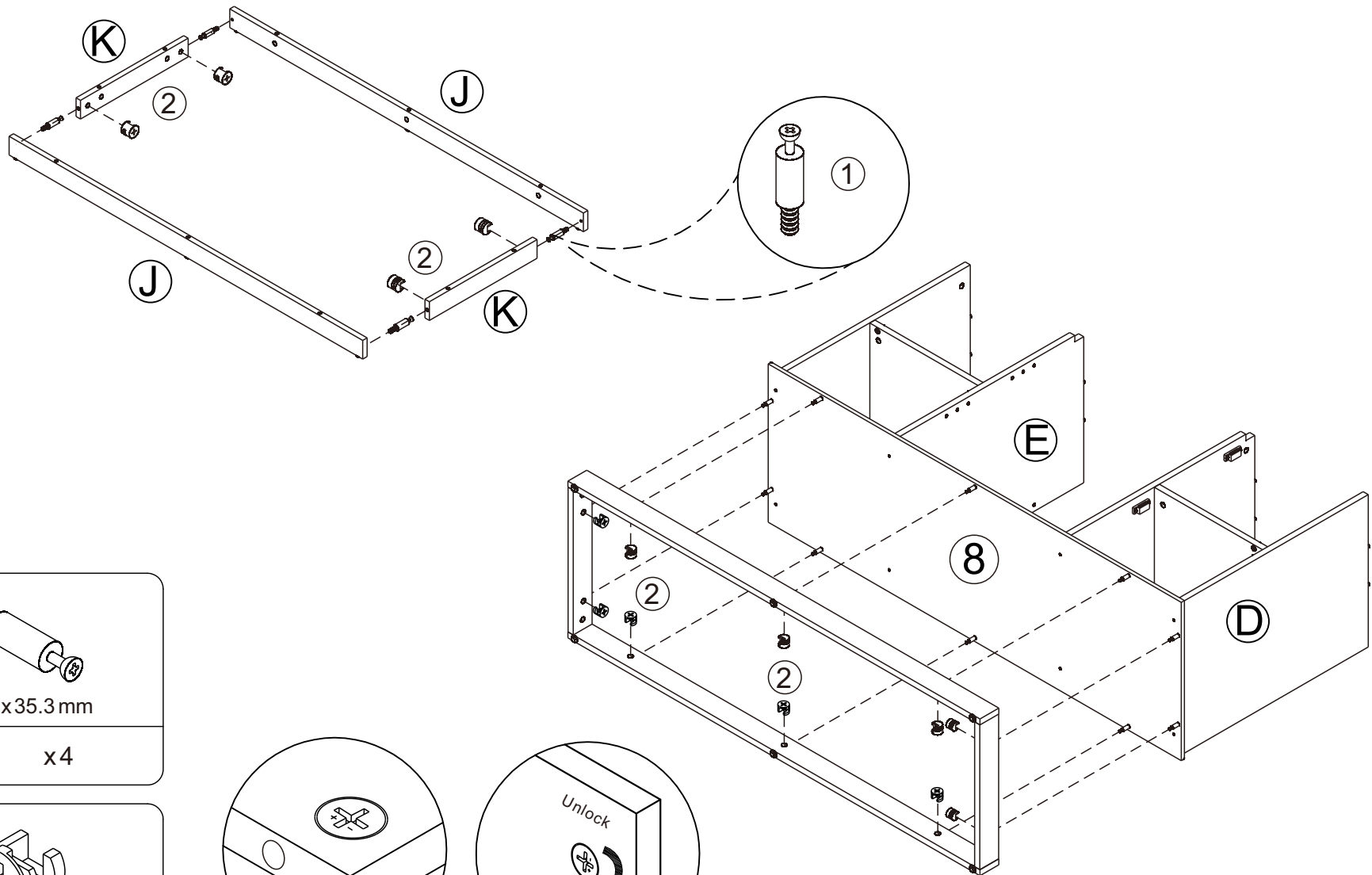
Proper orientation of cam lock.

7



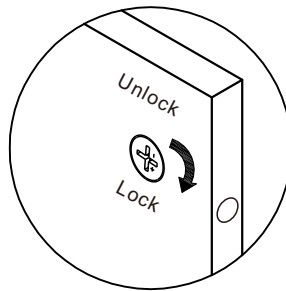
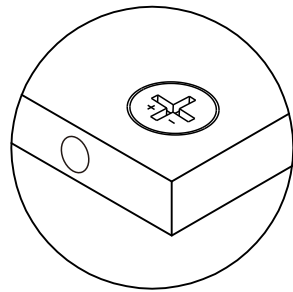
Do not over tighten.

8



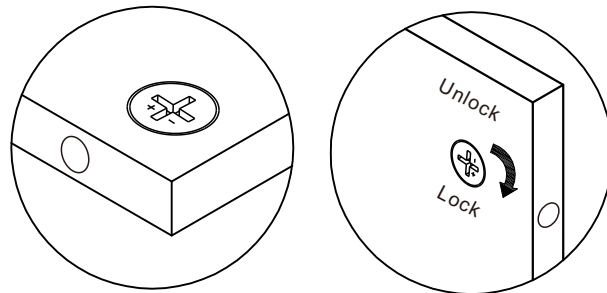
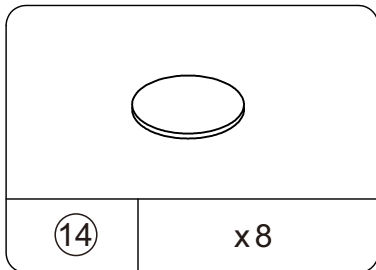
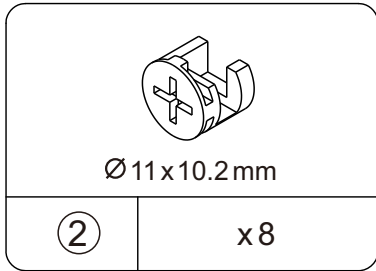
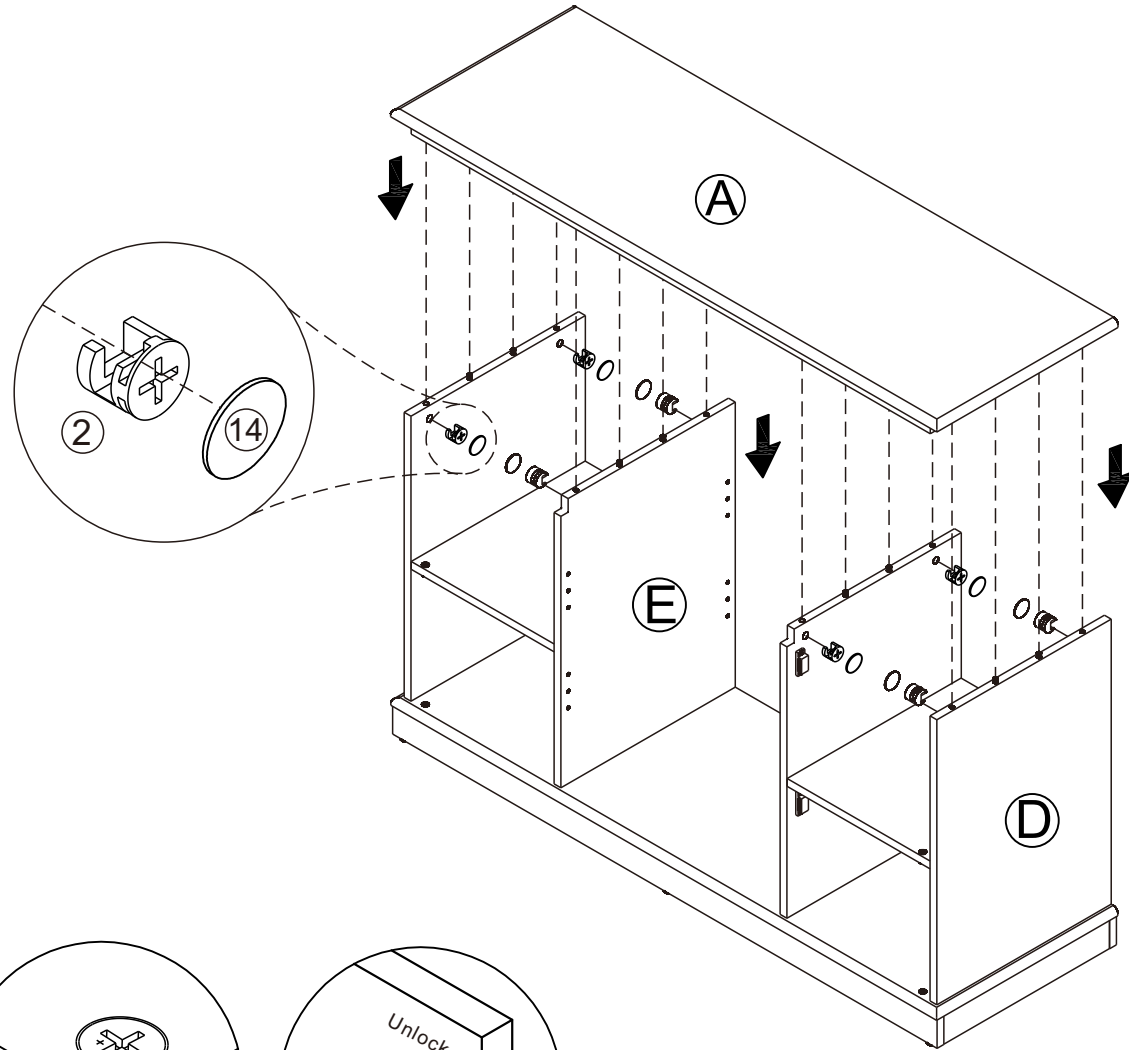
 Ø6.5x35.3mm	
①	x4

 Ø11x10.2mm	
②	x14



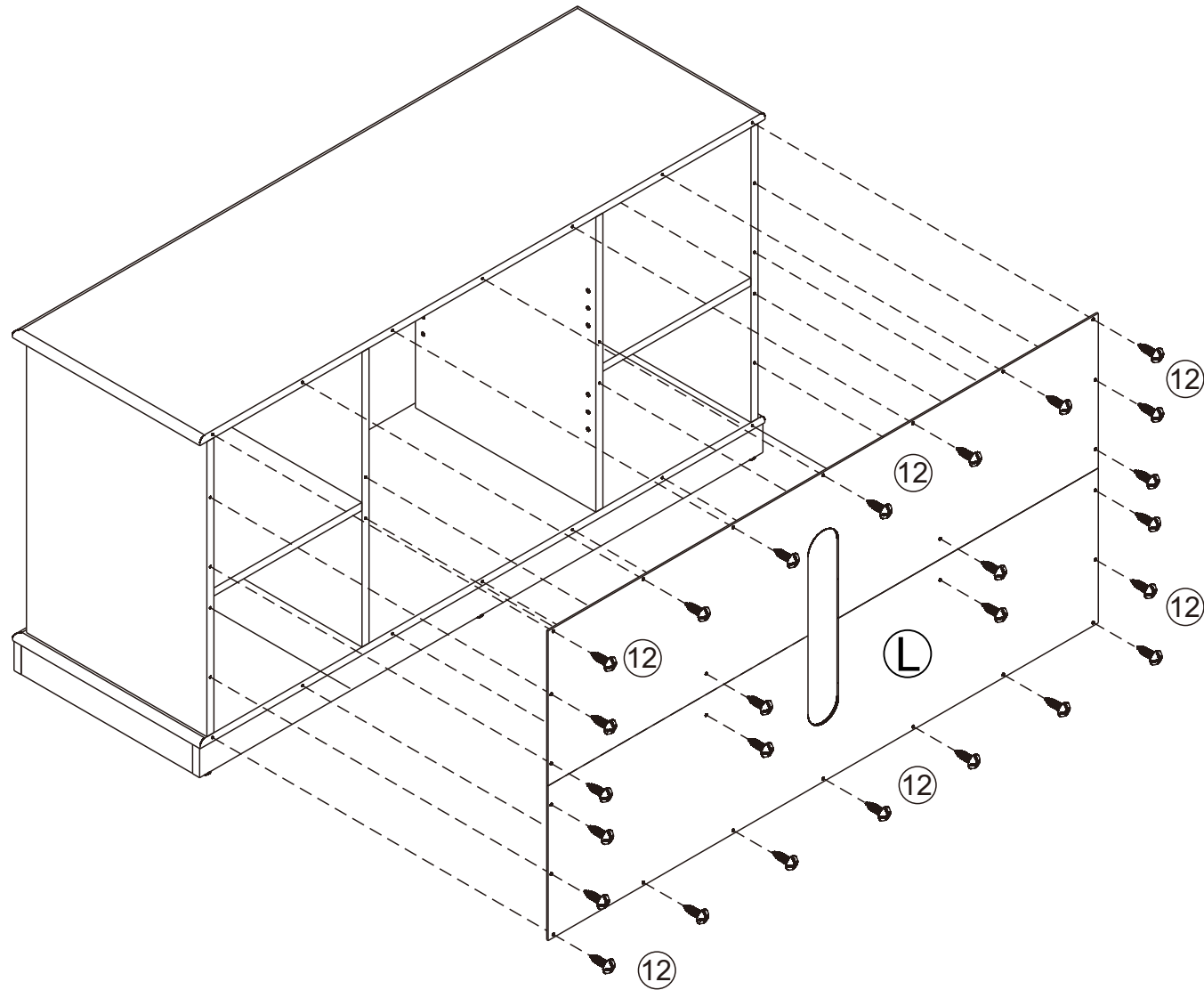
Proper orientation of cam lock.

9



Proper orientation of cam lock.

10

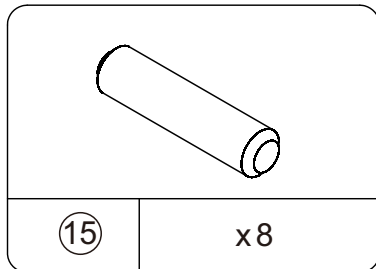
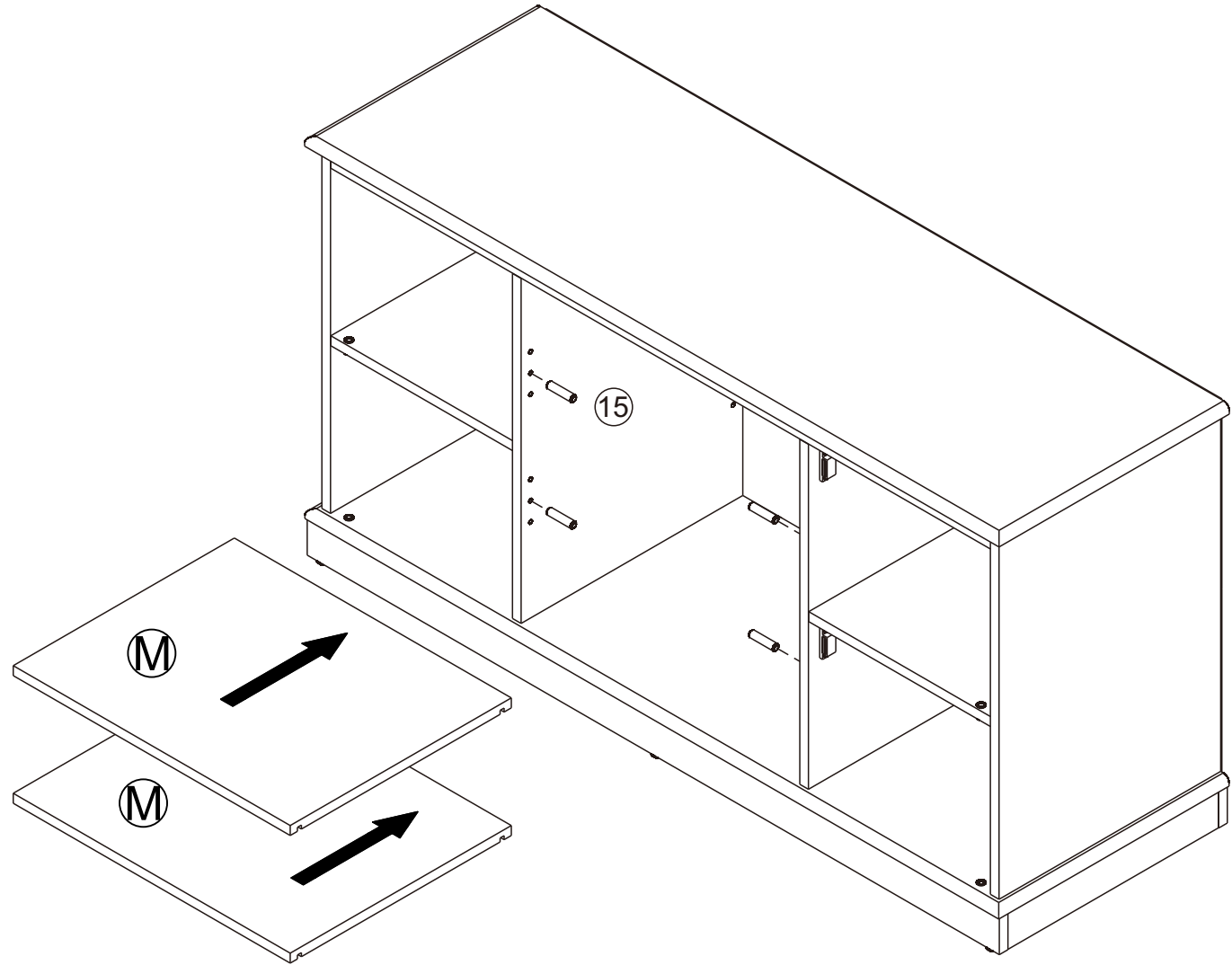


Ø3x14mm

12

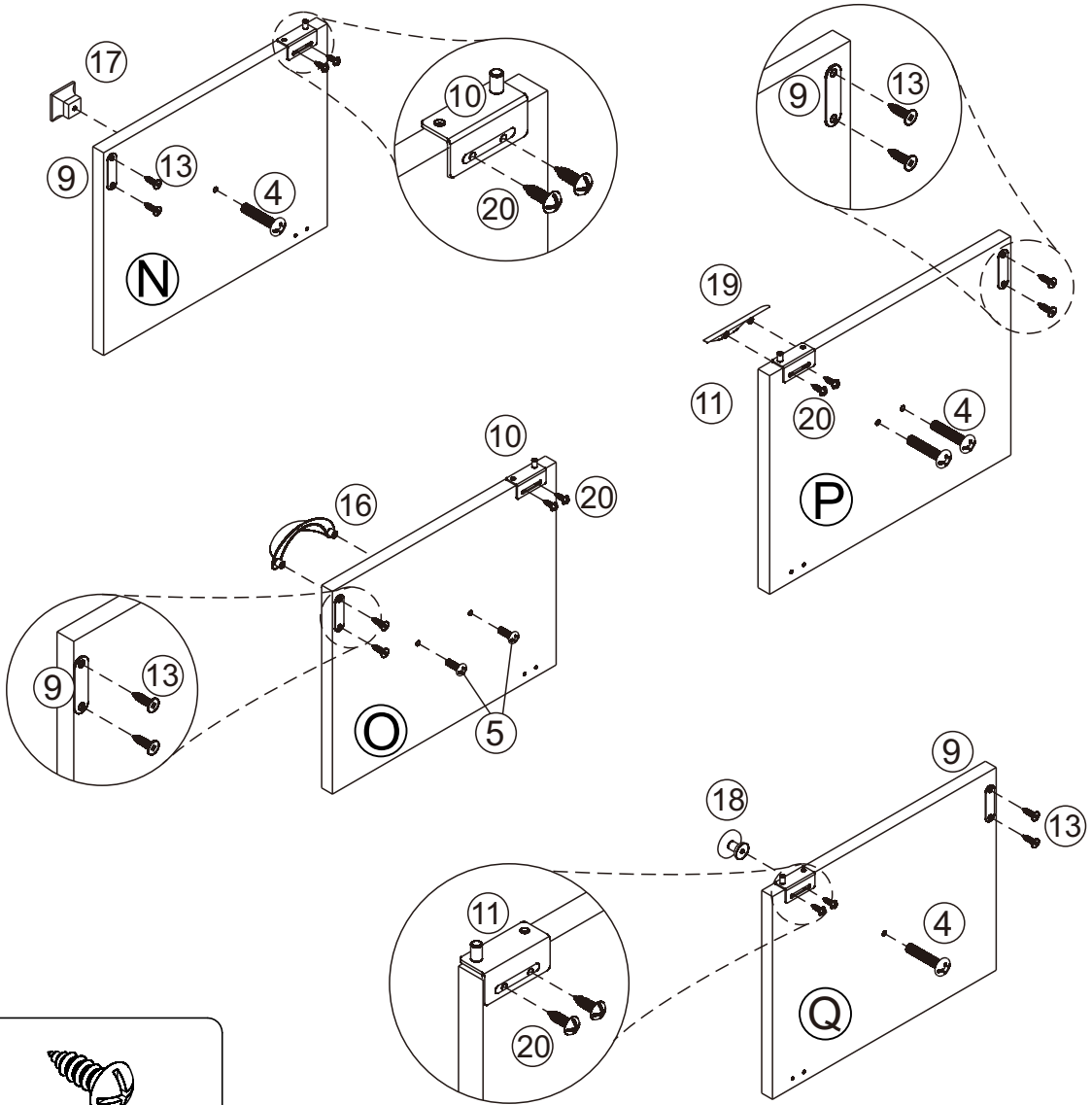
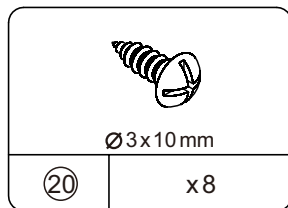
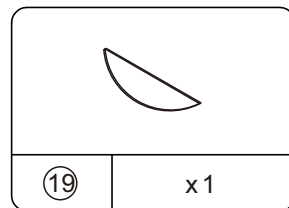
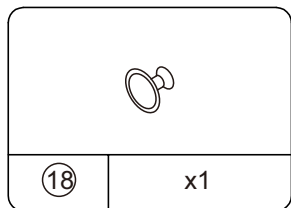
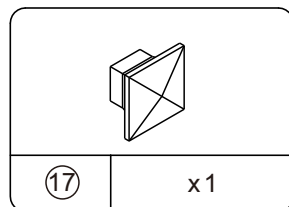
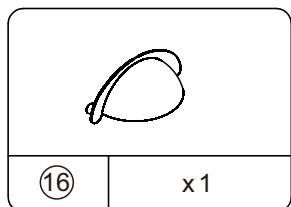
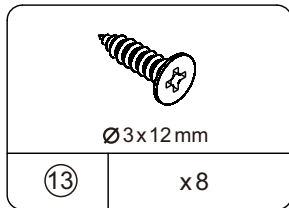
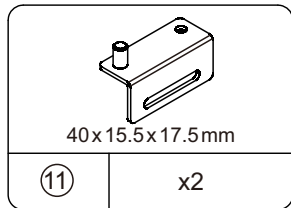
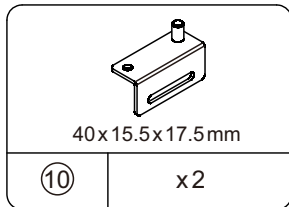
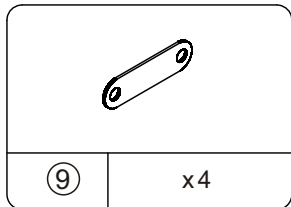
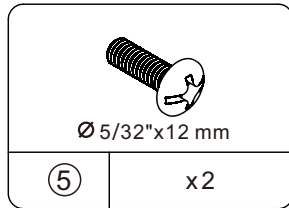
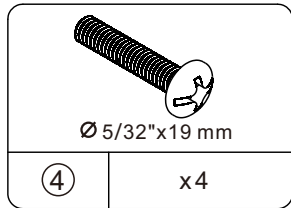
x 26

11

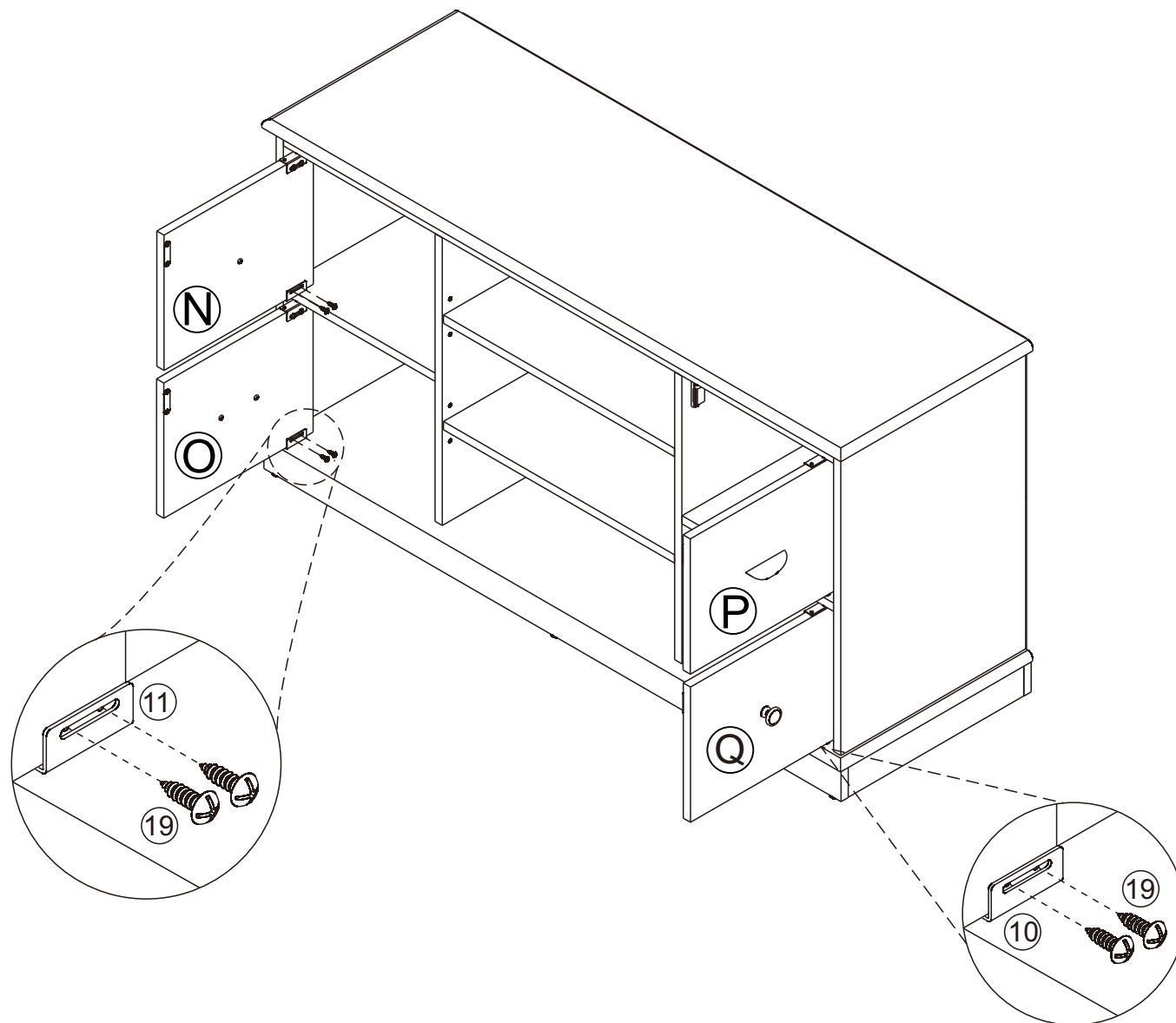
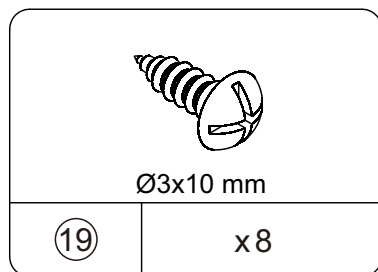
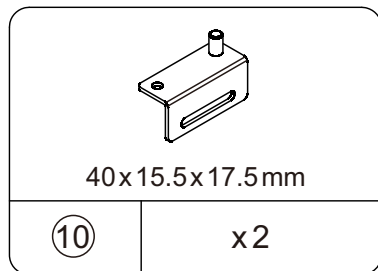
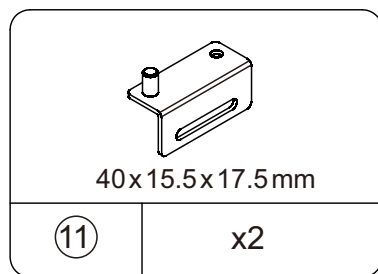


12

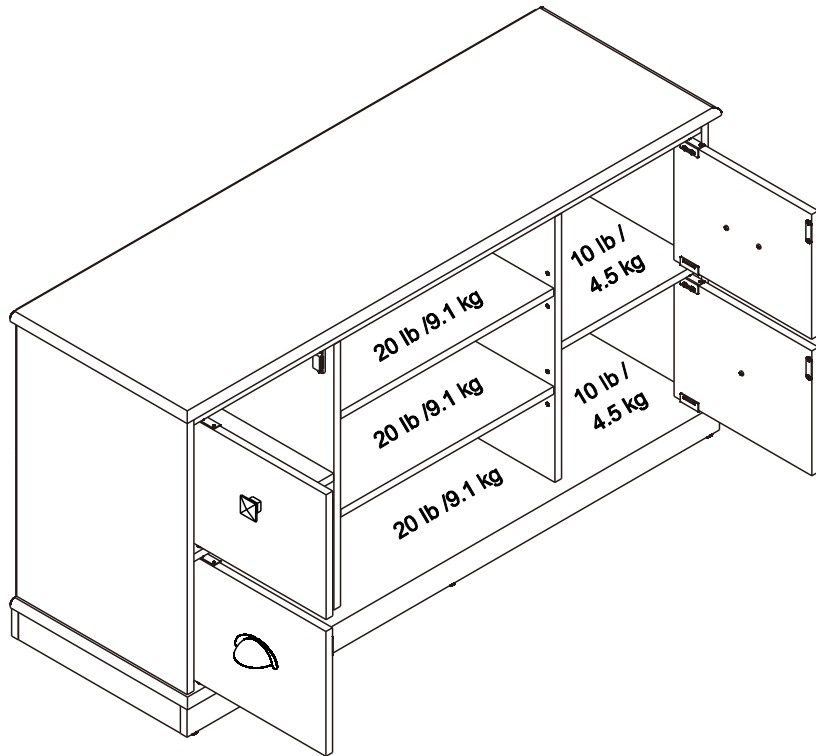
Please ensure door hinges (10&11) in proper position before you tighten the screws(20).



13



WEIGHT LIMITS:



This unit has been designed to support the maximum loads shown. Exceeding these load limits could cause sagging, instability, product collapse, and/or serious injury.

⚠ WARNING

Please make sure that all objects are removed before moving the assembled unit.

The unit must be team lifted, not dragged or pushed.

Failure to do so could cause instability, product collapse, and/or serious injury.

Enjoy Your Furniture

Mercer TV Console for TVs up to 50"



The Mercer 50" TV Console is the perfect accent piece to make your entertainment space pop while providing valuable storage space. The 3 open cubbies are ideal for media players and decor, and 4 drawers offer concealed storage for movies, games and cords.

- The Mercer 50" TV Console is a sturdy and stylish foundation for your TV that supports up to a 50" TV with a maximum weight of 80 lbs.
- The console has 3 open cubbies and 4 drawers, each with a different woodgrain finish and interchangeable knobs.
- Two people are required for assembly.
- The TV console has a white or black finish with woodgrain drawer fronts.

Mercer TV Console for TVs up to 50"



1739196PCOMUK Black EAN: 5060669110392



1739096UK White EAN: 5060669110385

Product	Height: 635mm	Shipping	Height: 134mm
	Width: 1207mm		Width: 468mm
	Depth: 399mm		Depth: 180mm
	Weight: 36 kg		Weight: 38.5 kg