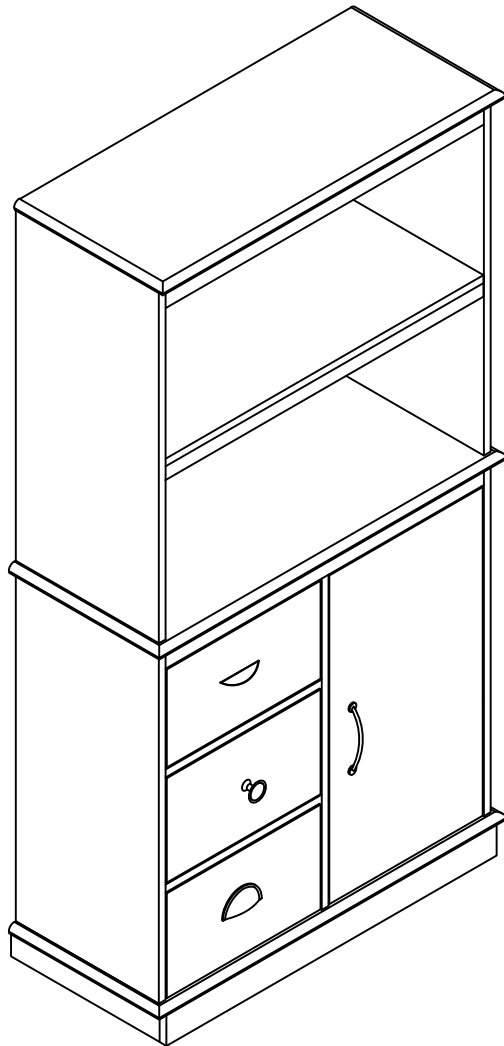


9634096UK-White 9634196PCOMUK-Black



PLACE LABEL
Q16714-SK
HERE

THIS INSTRUCTION BOOKLET CONTAINS IMPORTANT SAFETY INFORMATION. PLEASE READ AND KEEP FOR FUTURE REFERENCE.
Recommended # of people needed for assembly: 2



01942 524100



CSEurope@dorel.com



Dorel Home Furnishings Europe Ltd. Building 4, Imperial Place
Maxwell Road, Borehamwood WD6 1JN, United Kingdom

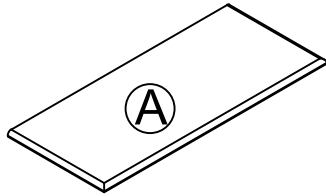
B34963409601

Before starting

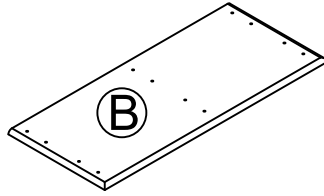
- ❑ Read each step carefully before starting. It is very important that each step of instruction is performed in the correct order. If these steps are not followed in sequence, assembly difficulties will occur.
- ❑ Make sure all parts are included. Most board parts are labeled or stamped on the raw edge.
- ❑ Work in spacious area, preferably on a carpet, near the place the unit will be used.
- ❑ Have the following tools close at hand.
- ❑ Do not use power tools to assemble your furniture. Power tools may strip or damage the parts.

HELPFUL HINTS

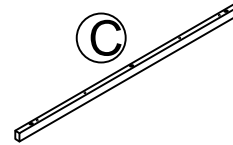
- Identify, sort and count the parts before attempting assembly.
- Call our toll free number if you need assistance identifying parts.
- Compression dowels are tapped in with a hammer.
- Slides have lips only on the right side.
- Cam locks that are properly fastened on a horizontal board will face toward the center of the unit, on a vertical board the point on the lock will face the bottom.
- Back panels provide stability and support. Use all the nails provided.
- When tapping nails into a board, be sure there are equal margins on all sides to square the unit.
- Units without the back panel installed may collapse.
- Clean the product with your favorite furniture polish and a soft cloth. DO NOT USE harsh chemicals or abrasive cleaners.
- Move your new furniture carefully, with two people lift and carry the unit to it's new location.
- Never push, drag or scoot your furniture (especially on carpet).
- Your furniture can be disassembled and reassembled to move.
- Additional parts are available for a nominal fee.



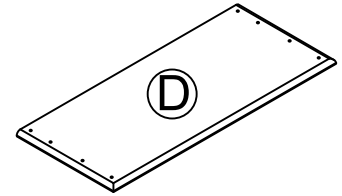
Hutch top shelf



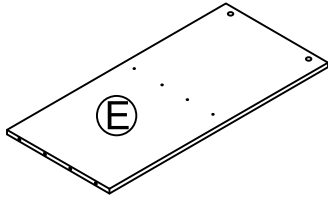
Bottom shelf



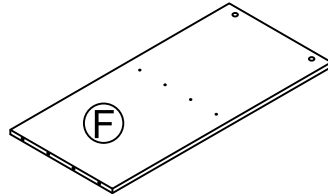
Shelf apron (3)



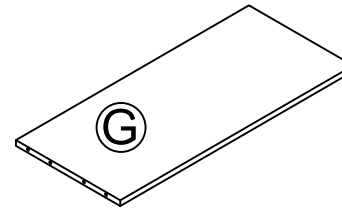
Top shelf



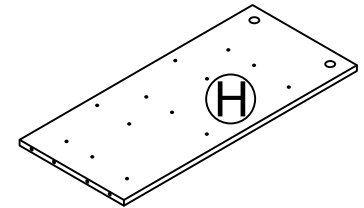
Hutch left side panel



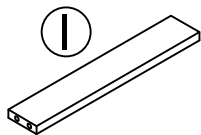
Hutch right side panel



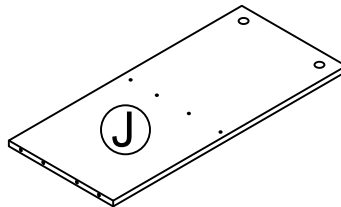
Hutch fixed shelf



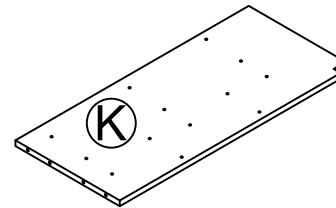
Left side panel



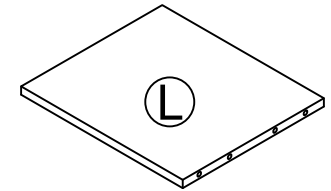
Support panel(2)



Right side panel

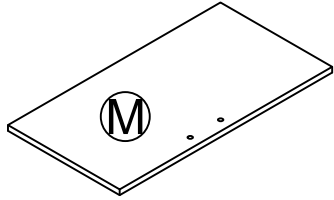


Partition panel

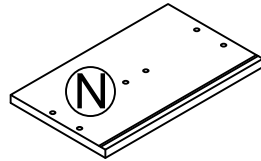


Fixed shelf

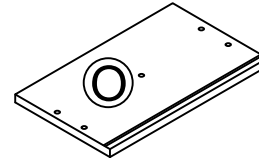
PARTS



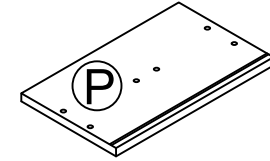
Door



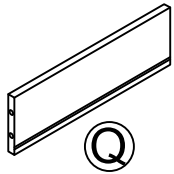
Upper drawer front



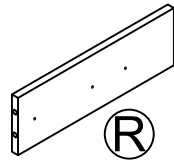
Middle drawer front



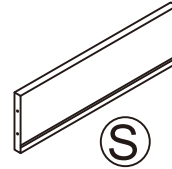
Lower drawer front



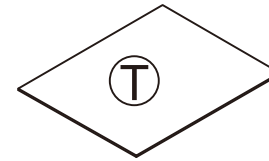
Left drawer side (3)



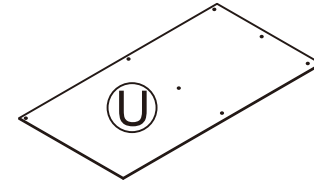
Right drawer side (3)



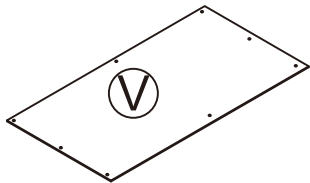
Drawer back (3)



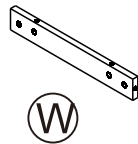
Drawer bottom (3)



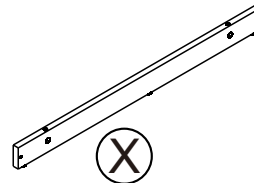
Back panel (2)



Back panel (2)

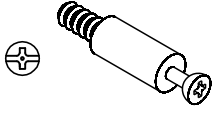


Side panel(2)



Front and back base panel(2)

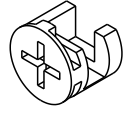
PARTS



Ø6.5x35.3 mm

①	x 46
---	------


Cam bolt



Ø11x10.2 mm

②	x 46
---	------

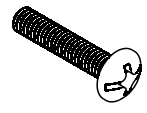
Cam lock



Ø8x30 mm

③	x 41
---	------

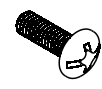
Wooden dowel



Ø 5/32"x19 mm

④	x 5
---	-----

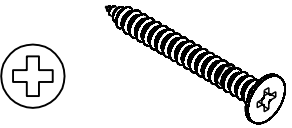
Screw



Ø 5/32"x12 mm

⑤	x 2
---	-----


Screw



Ø4 x 35 mm

⑥	x 24
---	------

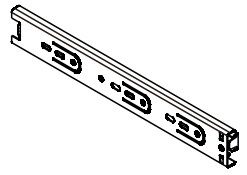
Screw



Ø4 x 45 mm

⑦	x 10
---	------


Screw



Ø8x30 mm

⑧	x 6
---	-----


Drawerrunner



Ø3.5 x 10 mm

⑨	x 36
---	------


Screw



Ø10x5 mm

⑩	x 34
---	------

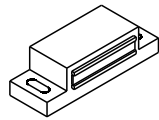
Cover cap



Ø3 x 14 mm

⑪	x 2
---	-----

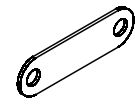
Screw



45.8x16x14 mm

⑫	x 1
---	-----

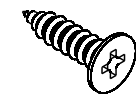
Magic catch



Ø10x16 mm

⑬	x 1
---	-----


Magic catch plate



Ø3 x 12 mm

⑭	x 2
---	-----

Screw

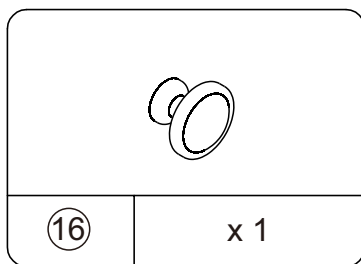


Ø10x5 mm

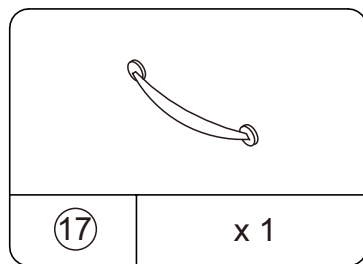
⑮	x 1
---	-----

Pull

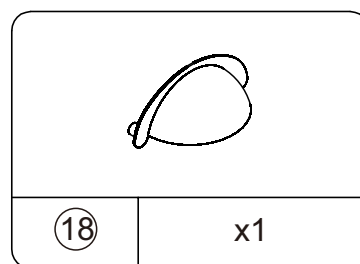
PARTS



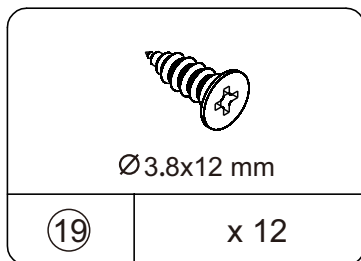
Knob



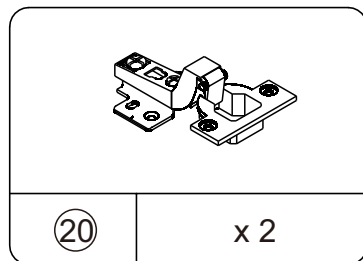
Handle



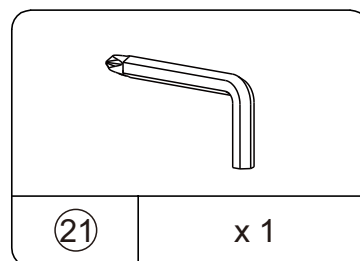
Pull



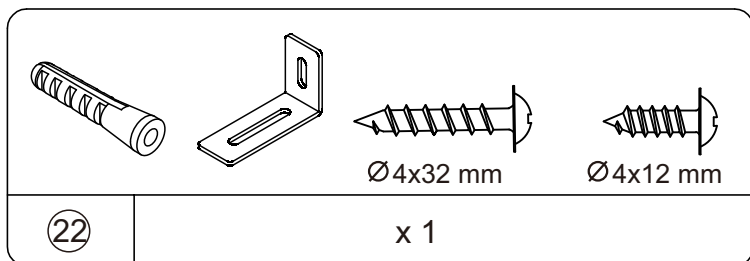
Screw



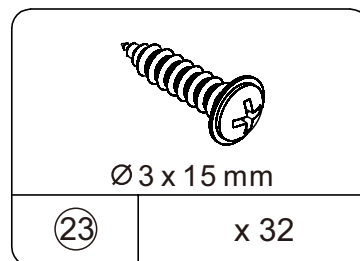
Hinge



Allen key

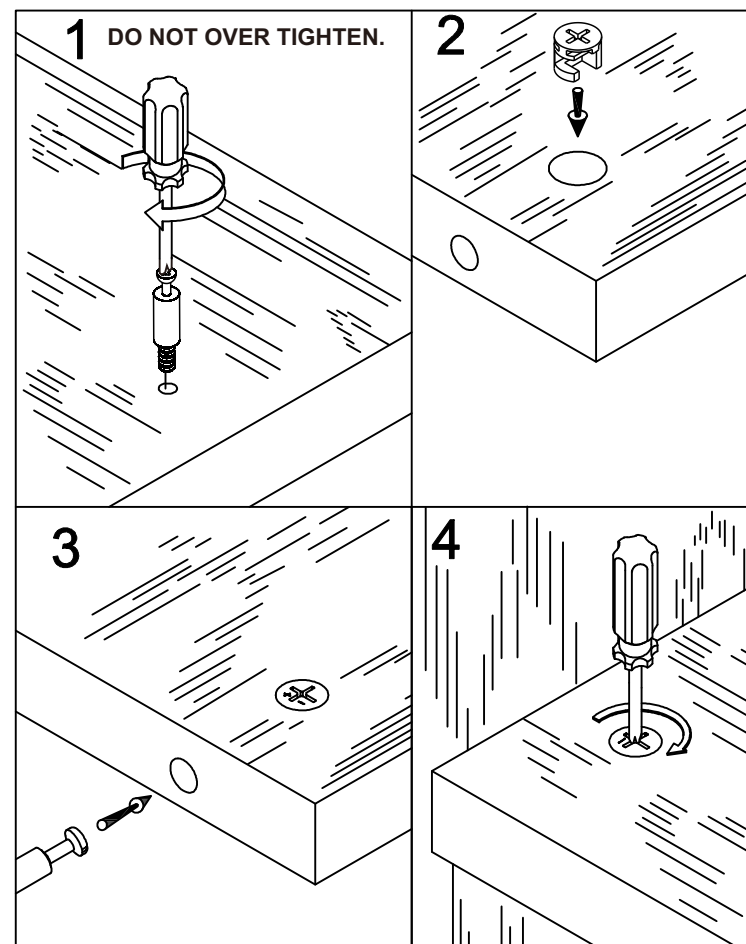


Anti dumping device

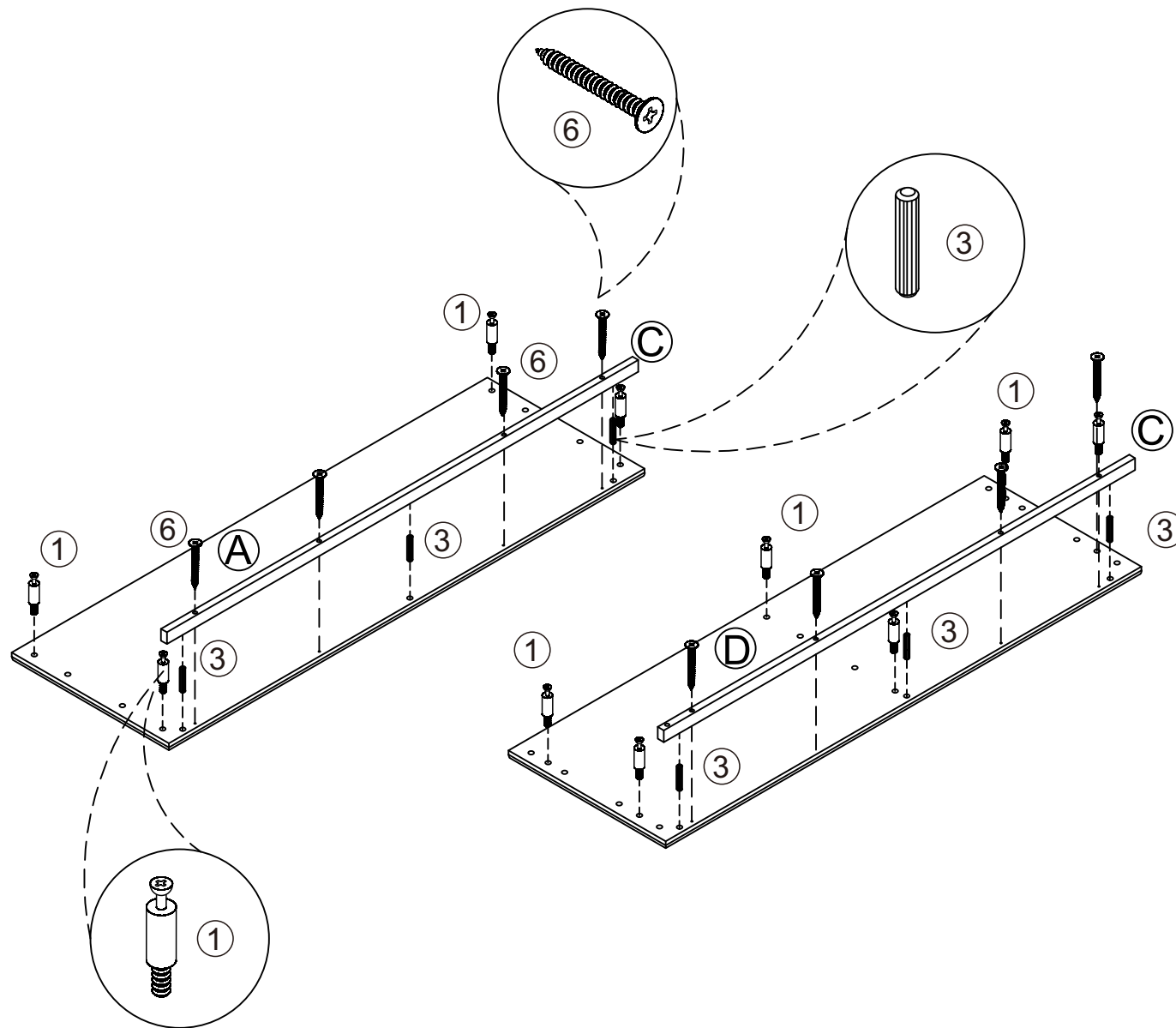
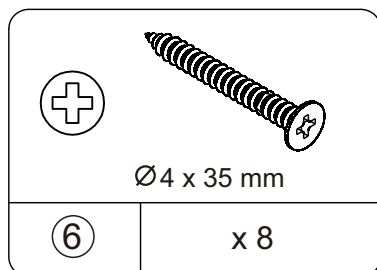
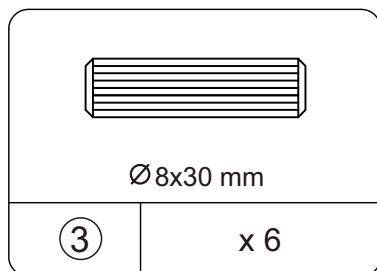
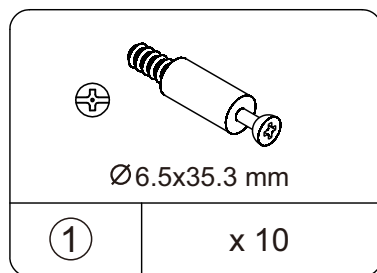


Screw

This illustration shows how the CAM fastener system works.

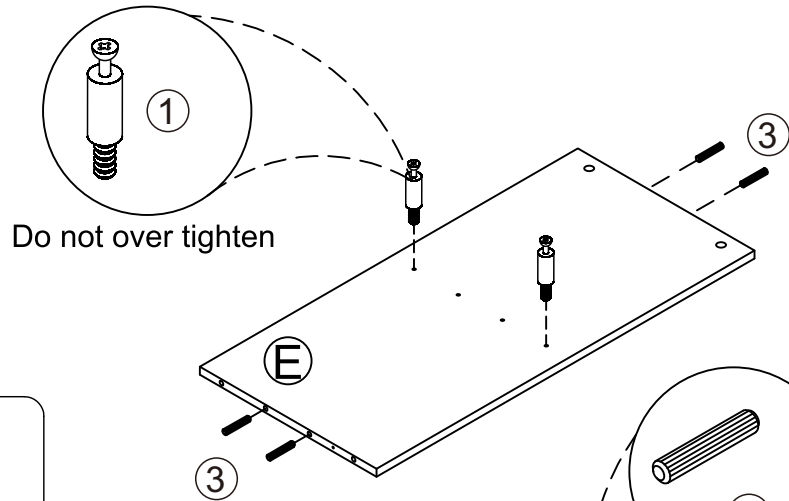


1

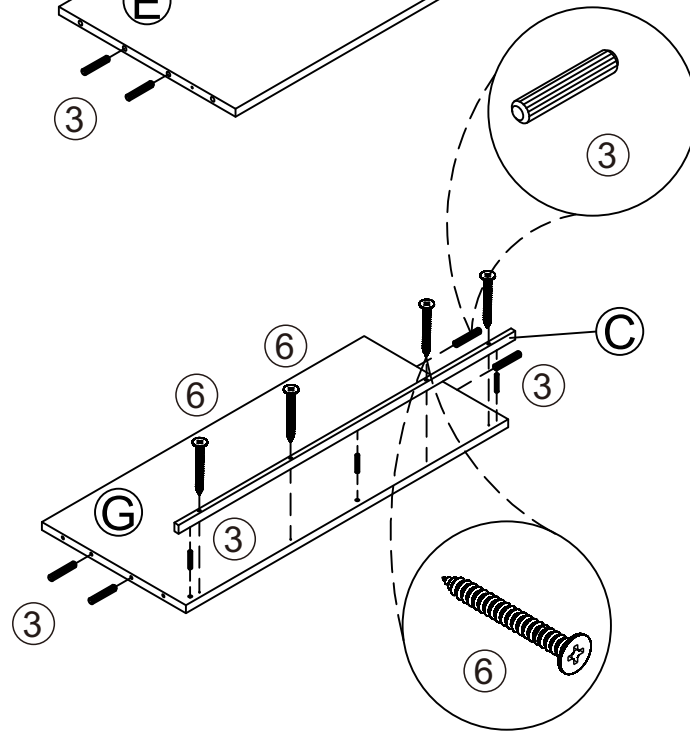
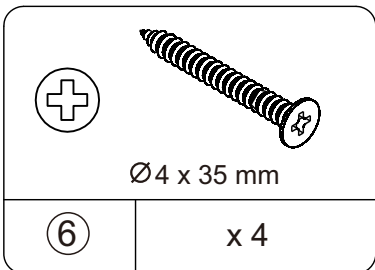
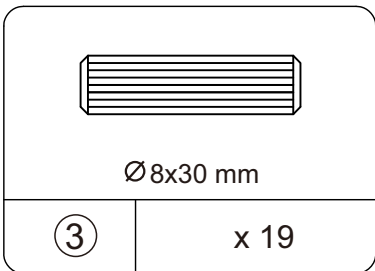
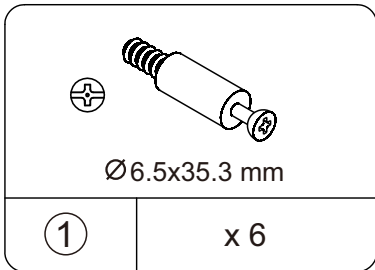
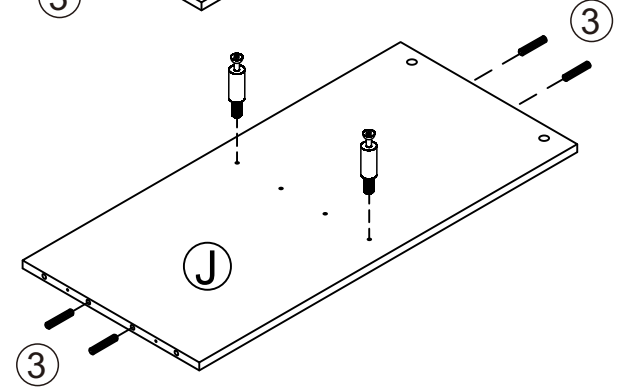
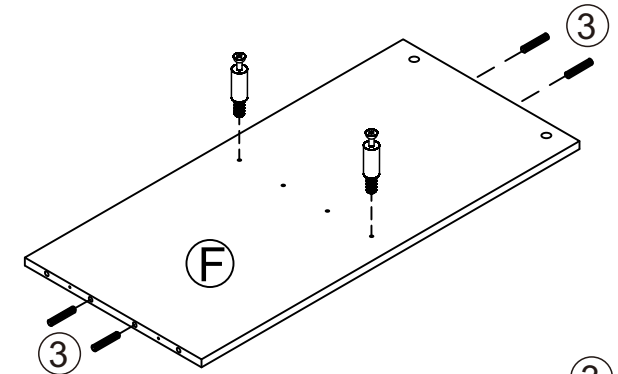


Donot overtigten.

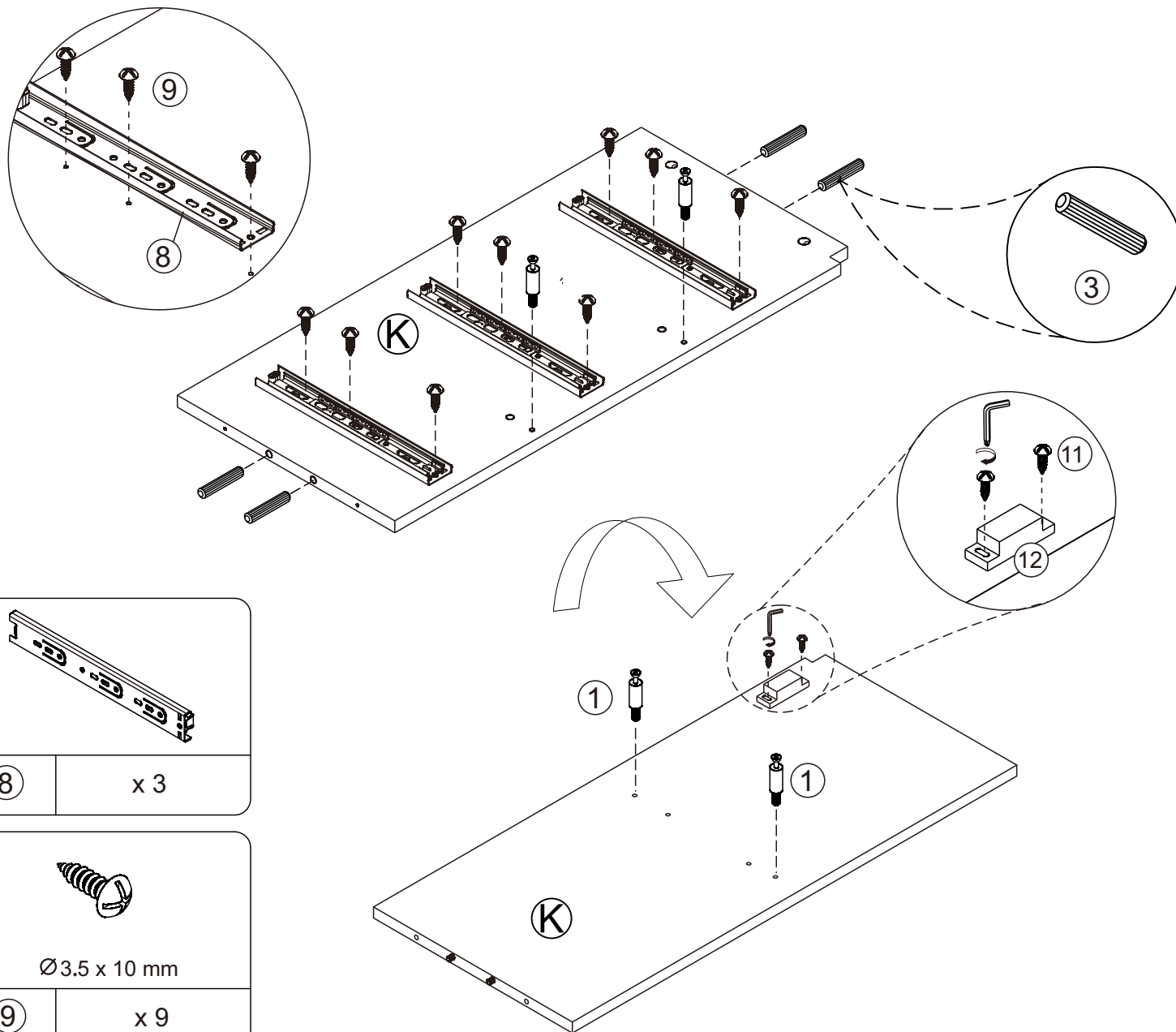
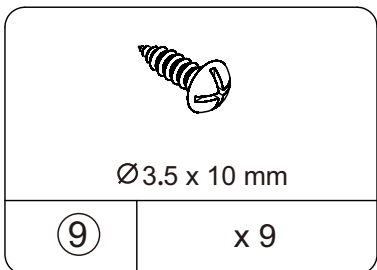
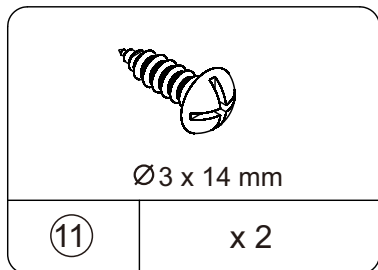
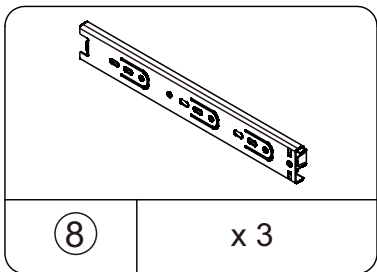
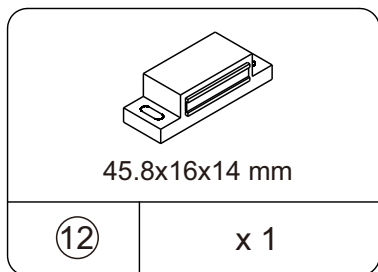
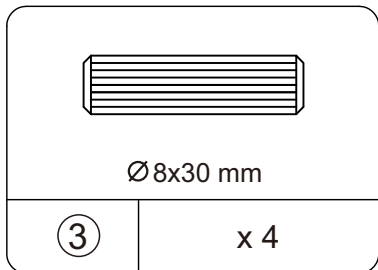
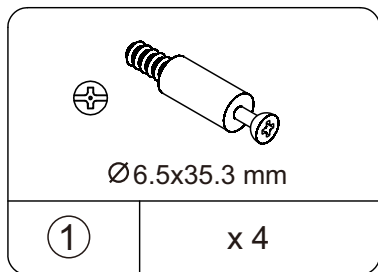
2



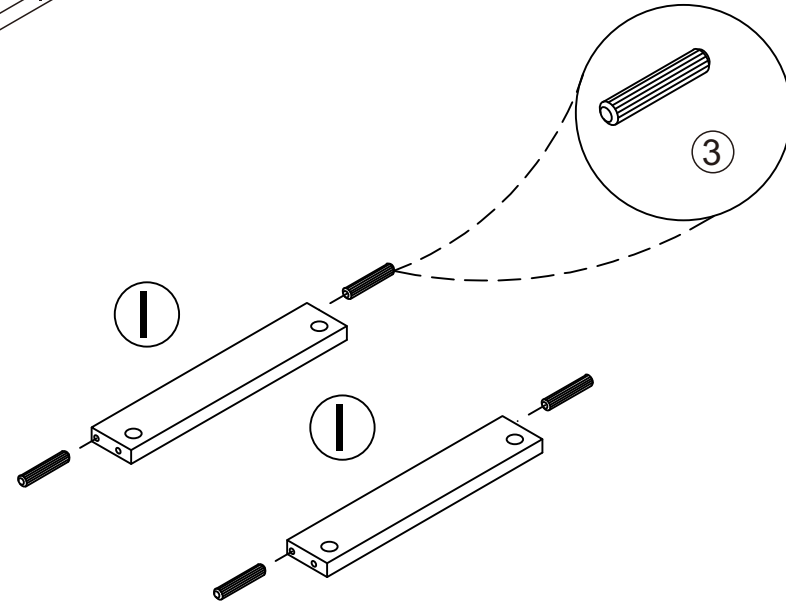
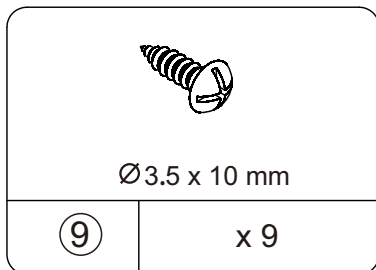
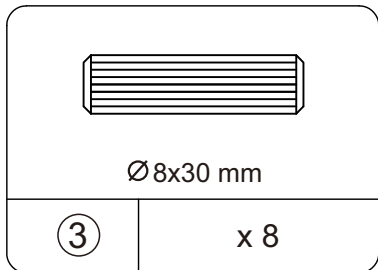
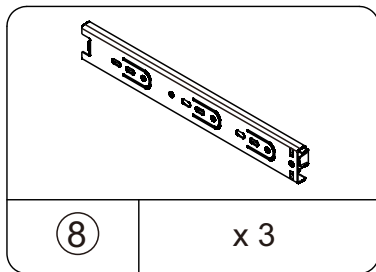
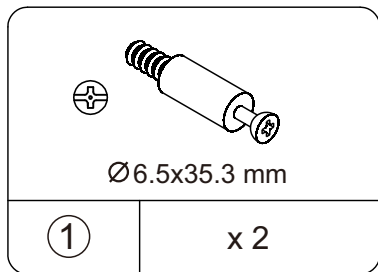
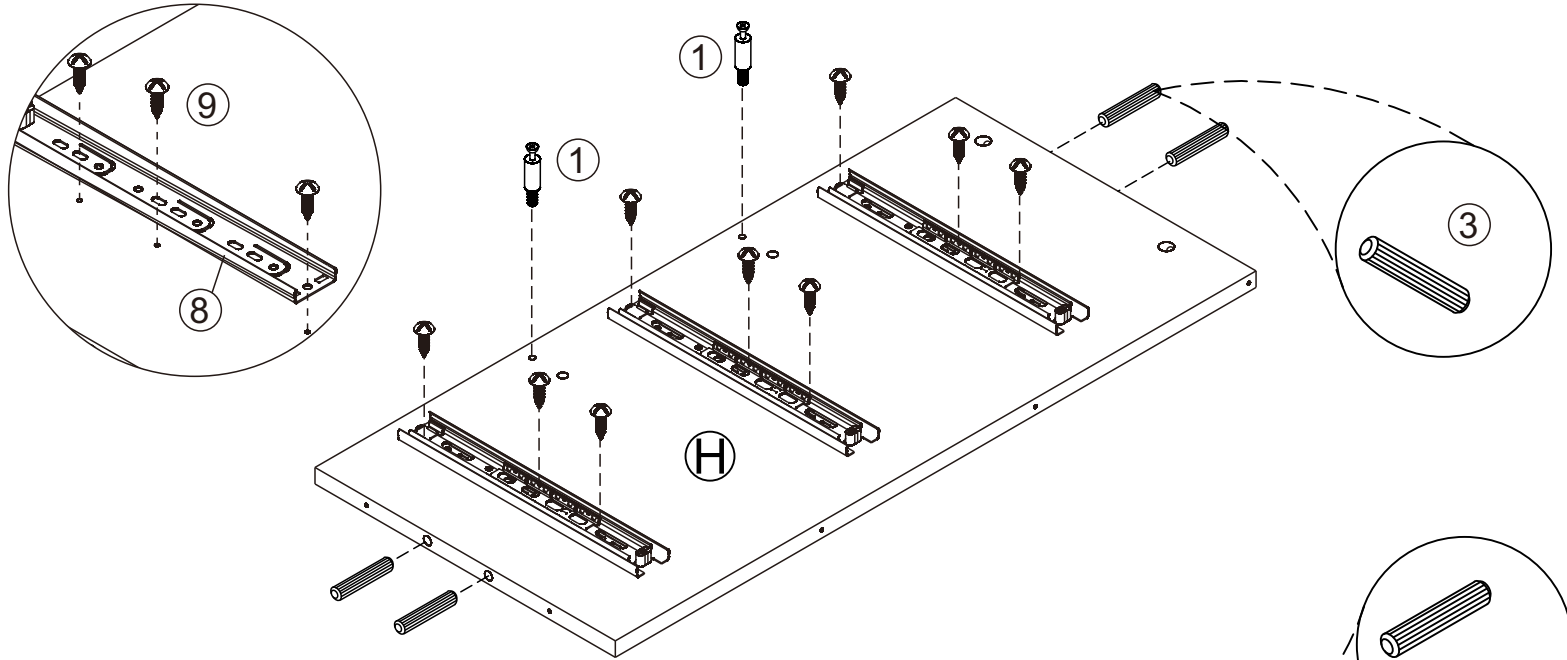
Do not over tighten



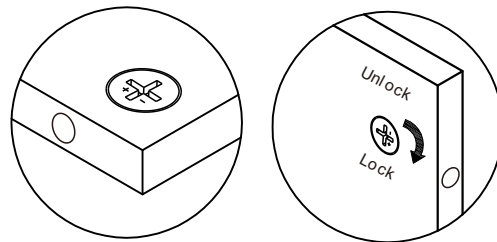
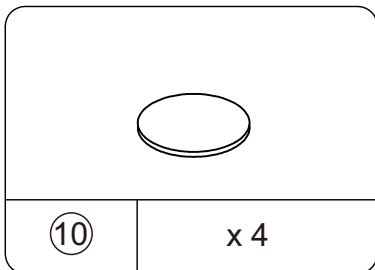
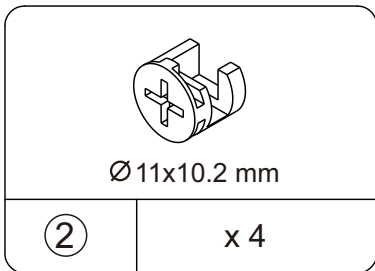
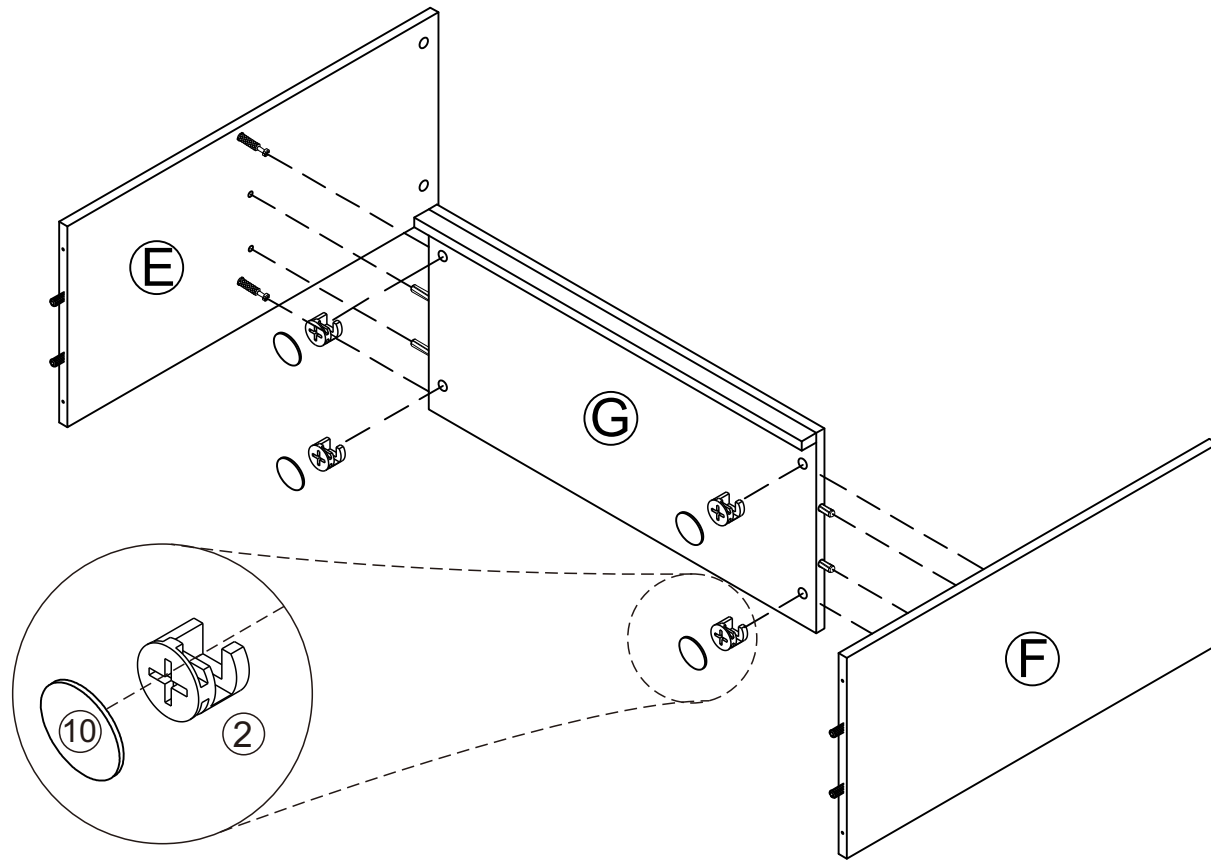
3



4

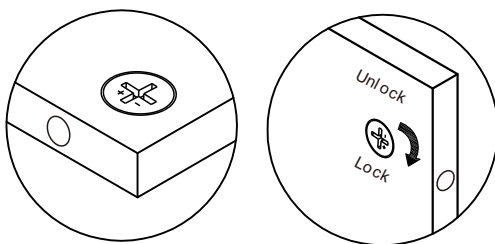
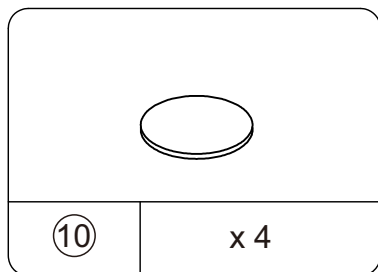
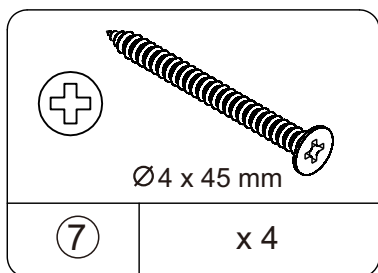
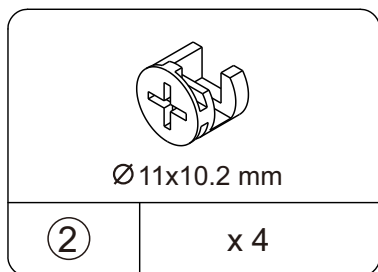
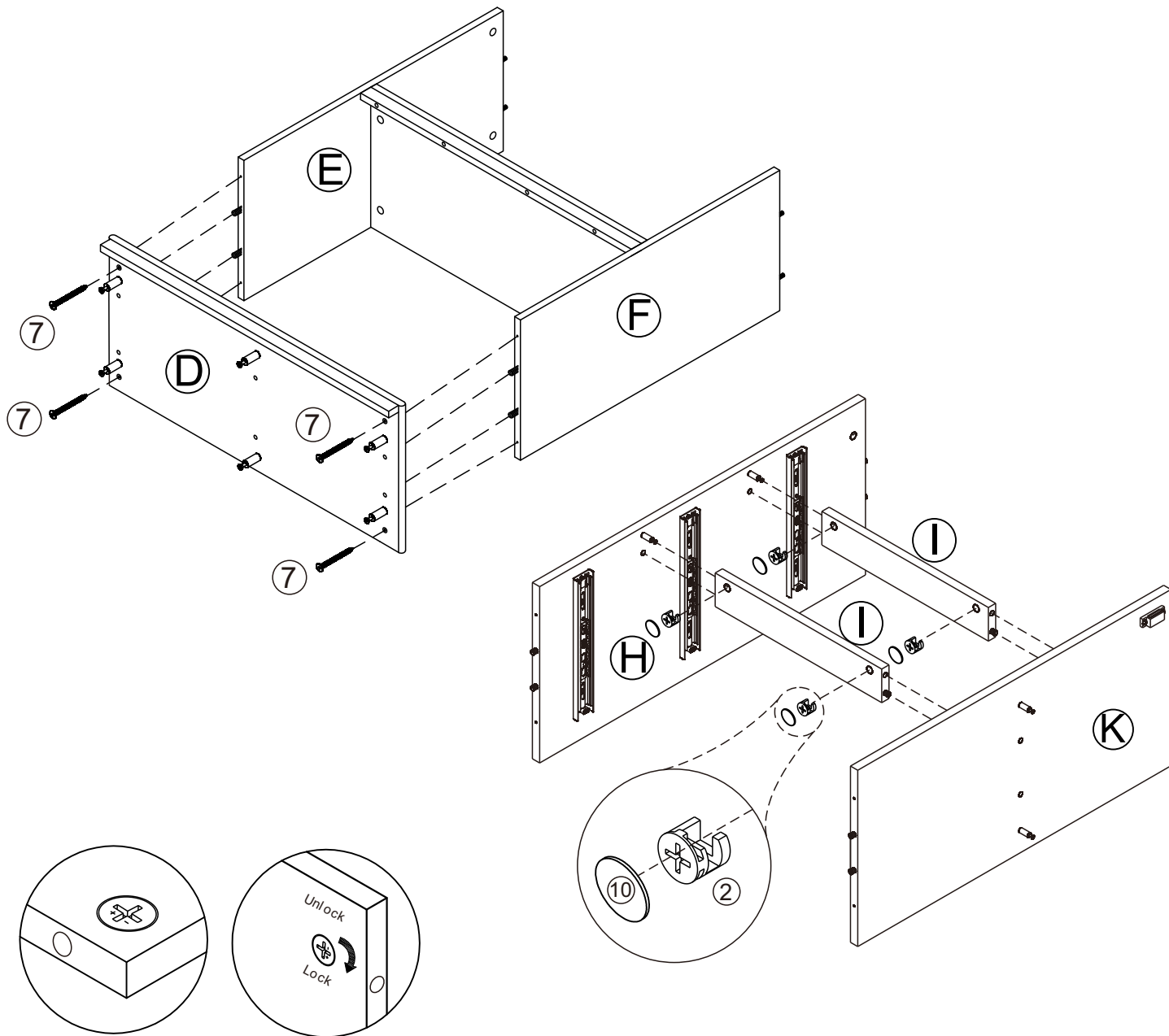


5



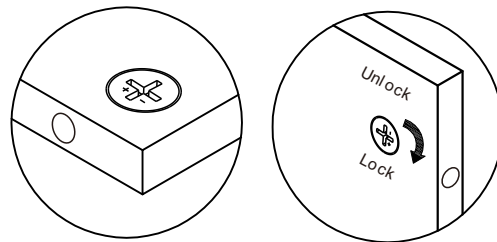
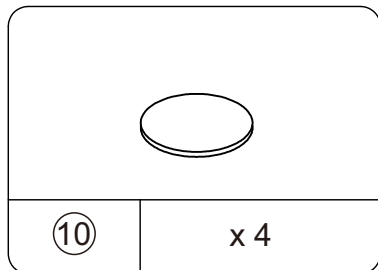
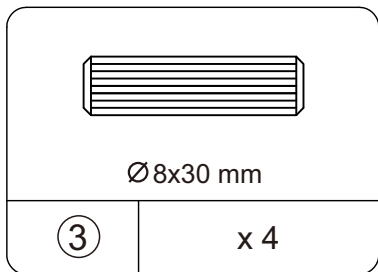
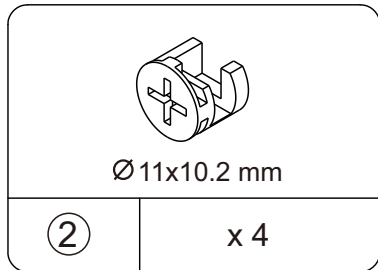
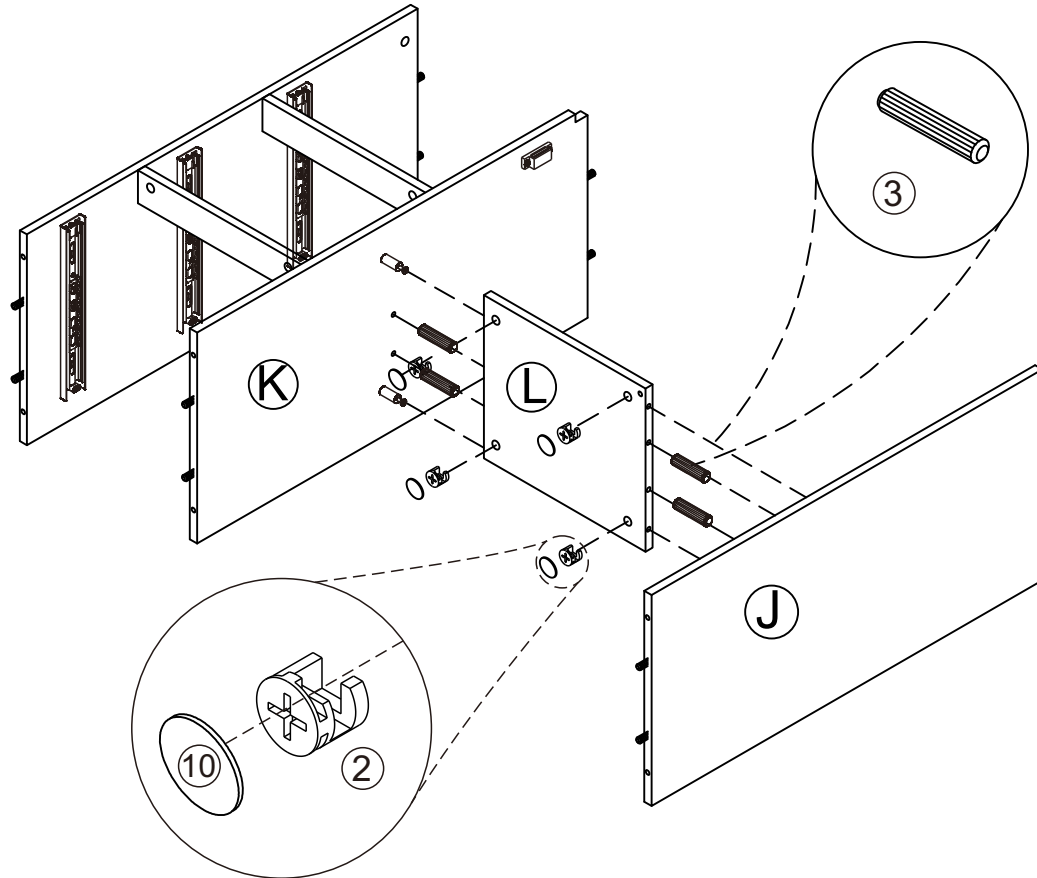
Proper orientation of cam lock.

6



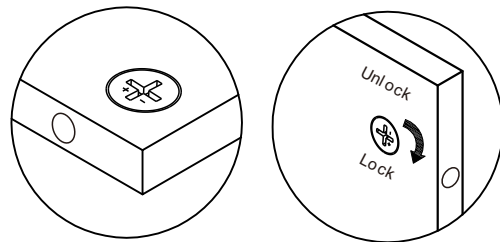
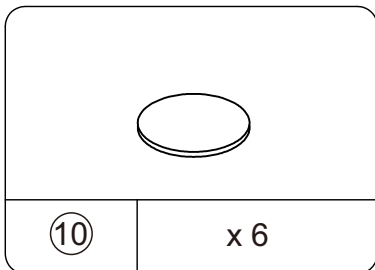
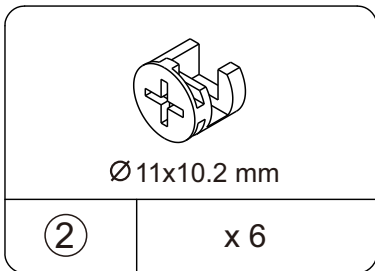
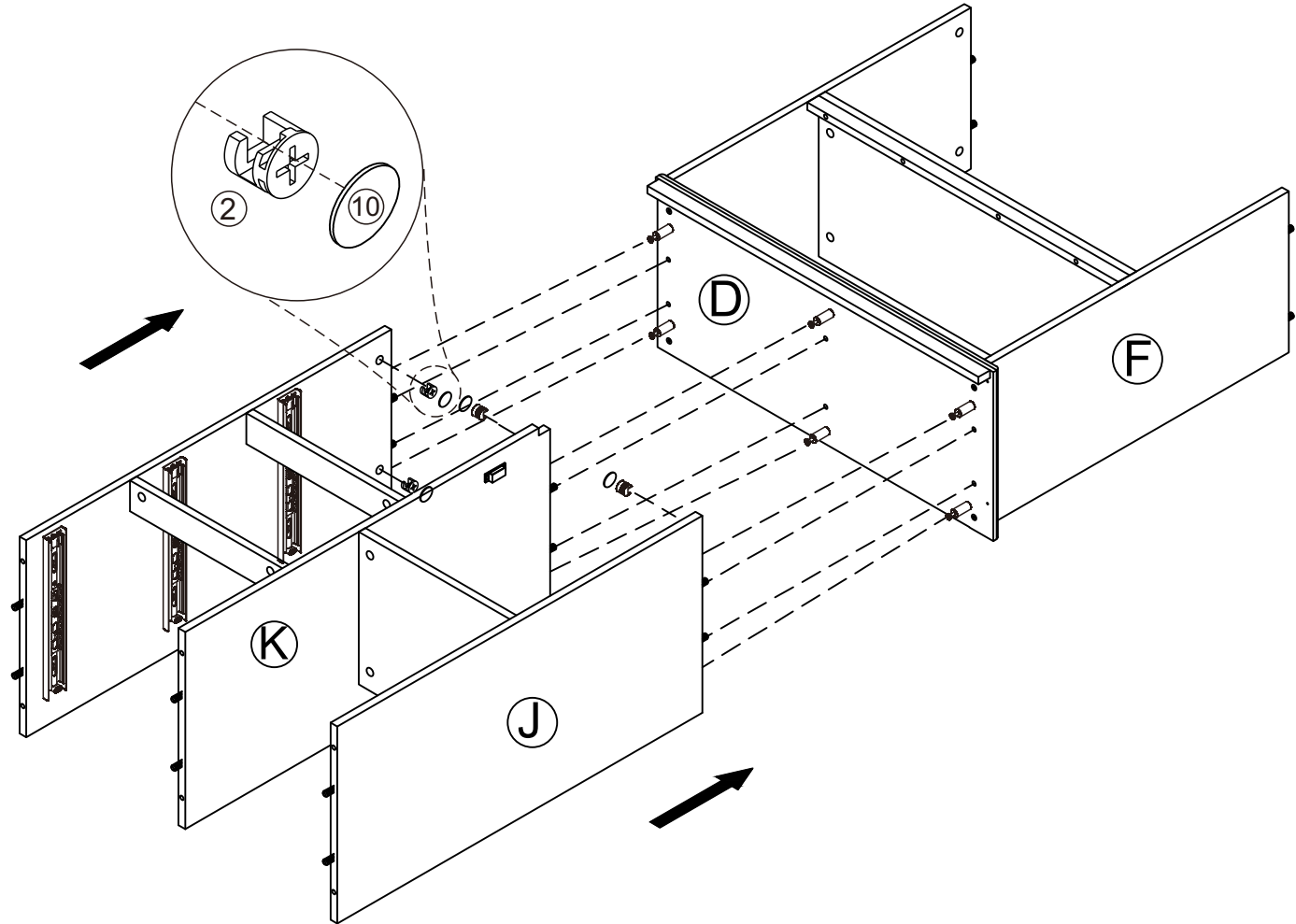
Proper orientation of cam lock.

7



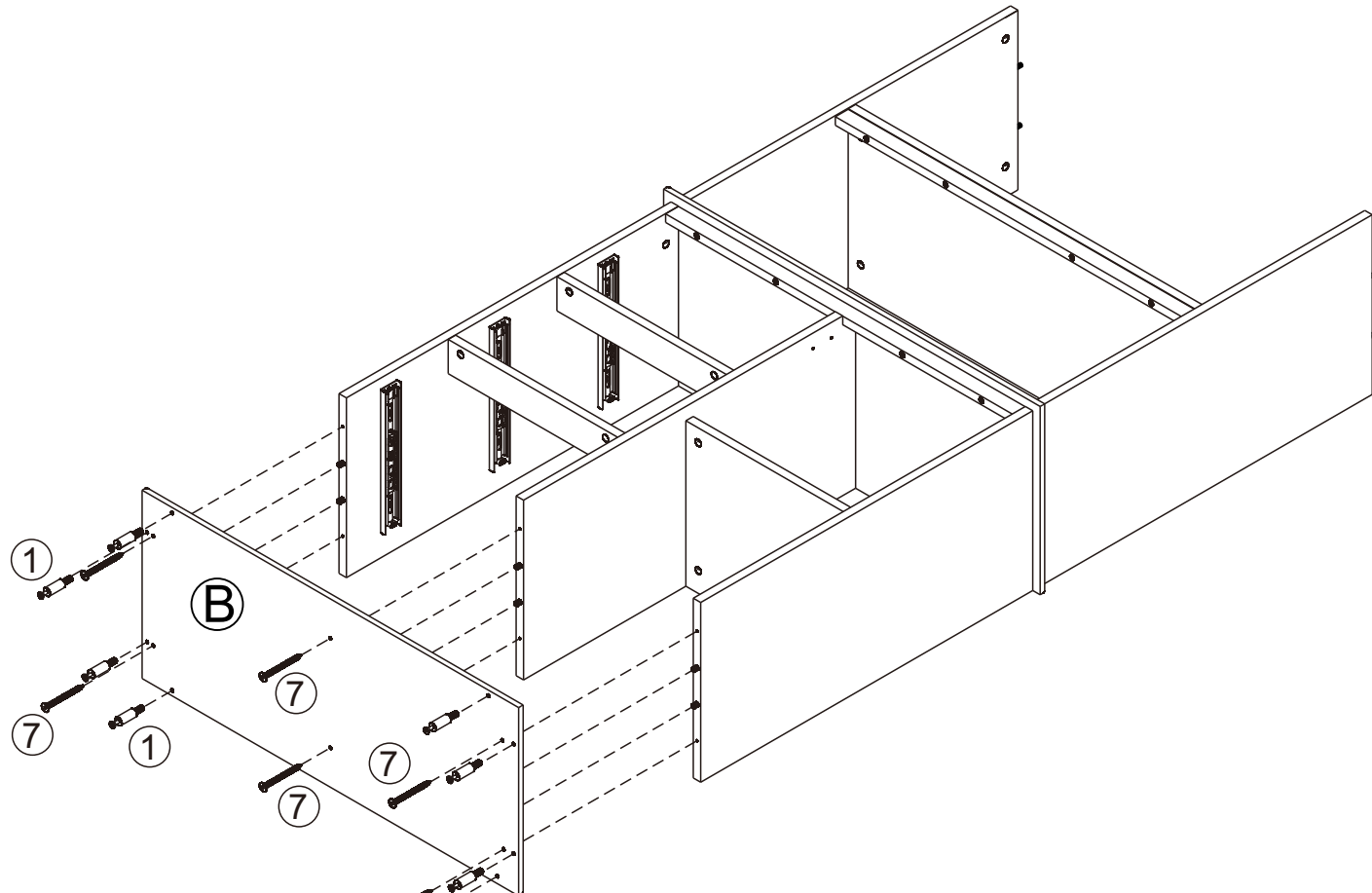
Proper orientation of cam lock.

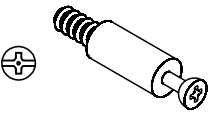
8




Proper orientation of cam lock.

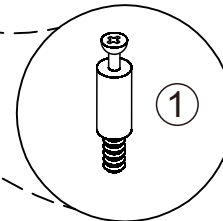
9



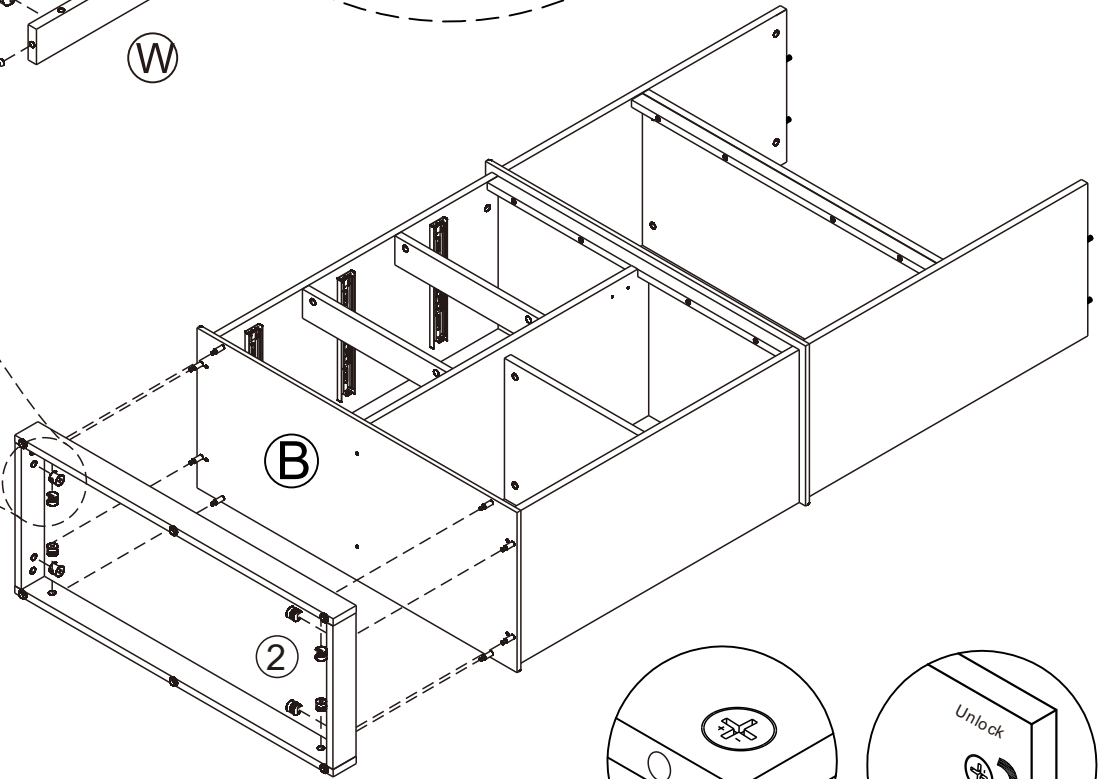
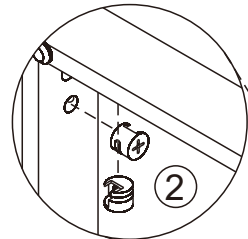
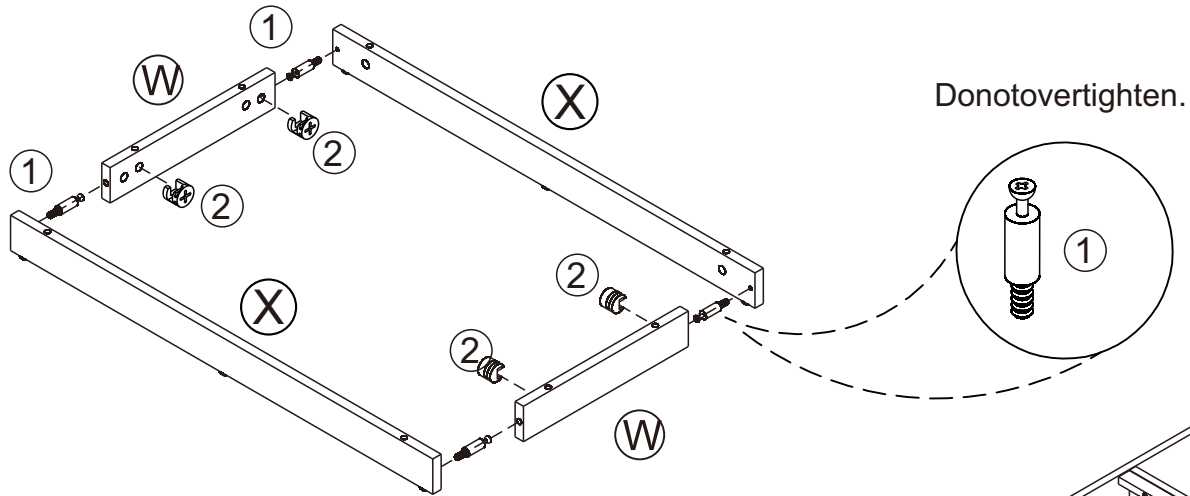
 Ø6.5x35.3 mm	
1	x 8

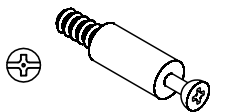
 Ø4 x 45 mm	
7	x 6

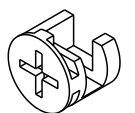
Donot overtigten.

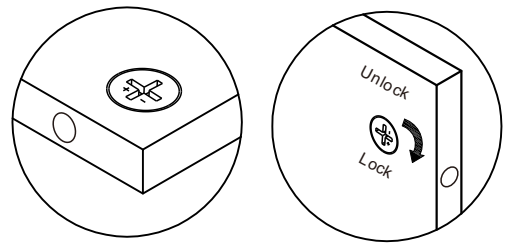


10



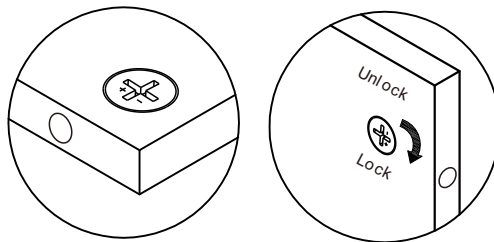
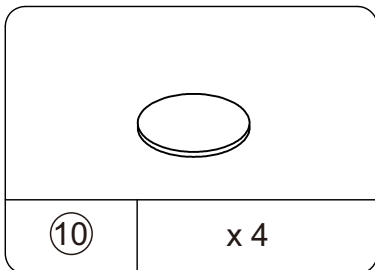
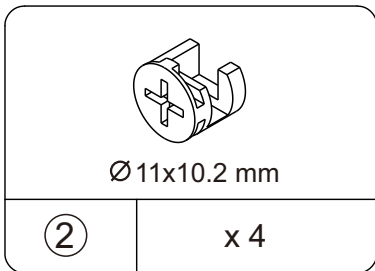
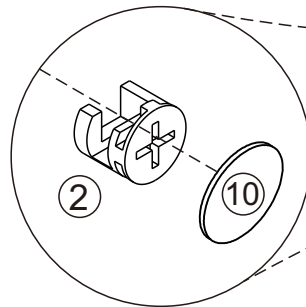
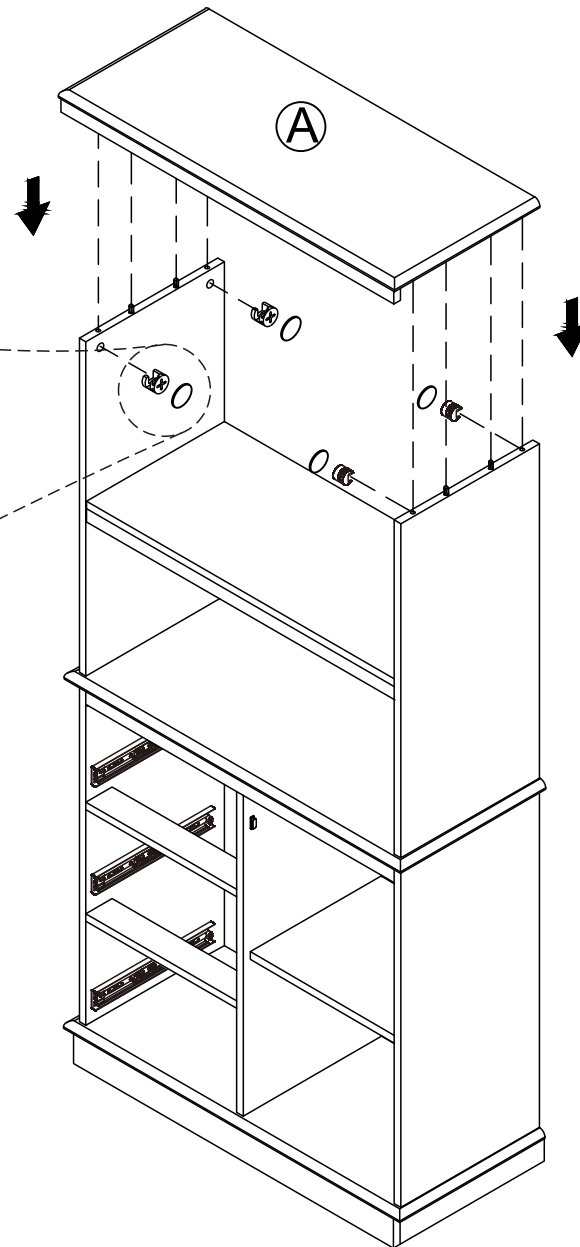
 Ø6.5x35.3 mm	
①	x 4

 Ø11x10.2 mm	
②	x 12



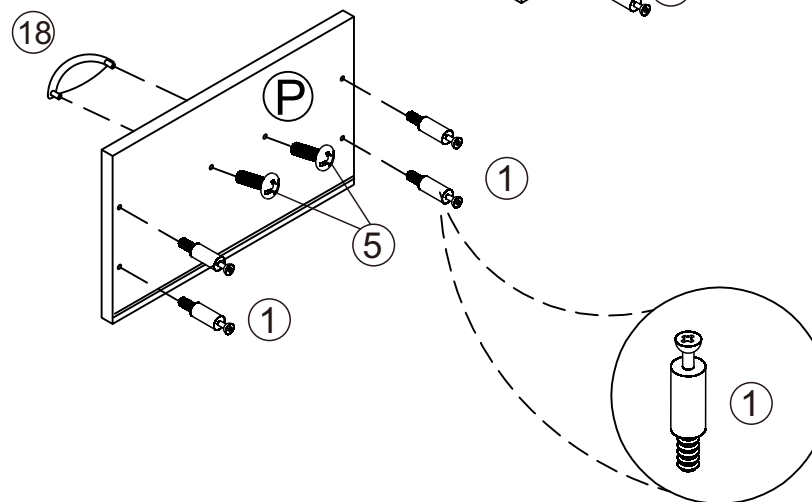
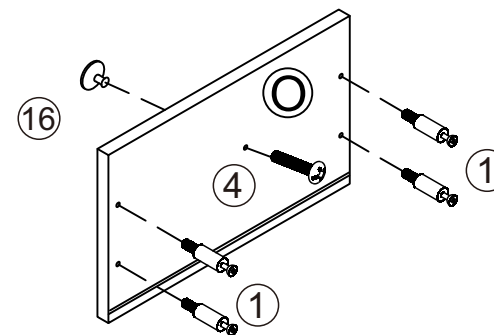
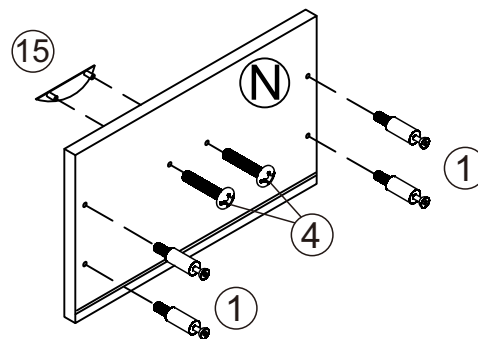
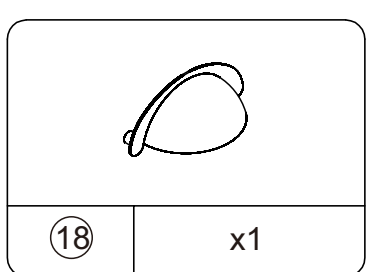
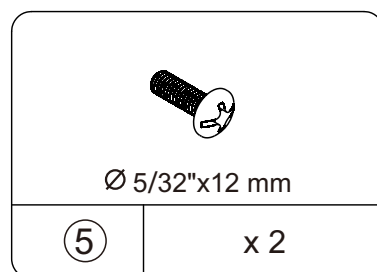
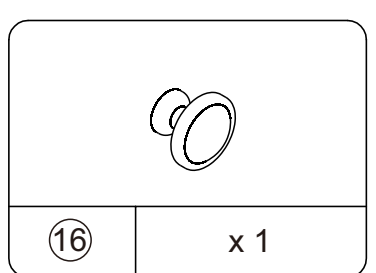
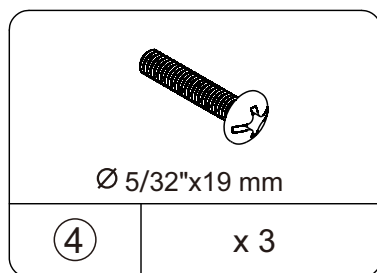
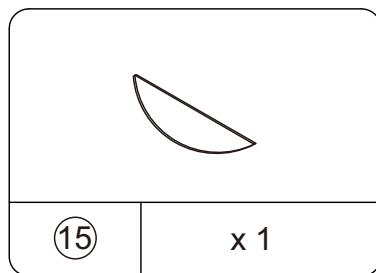
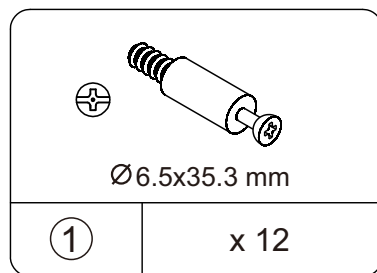
Proper orientation of cam lock.

11



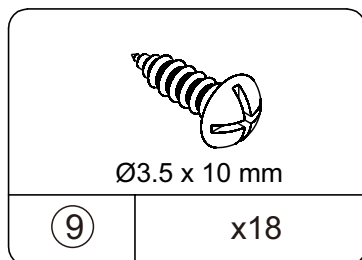
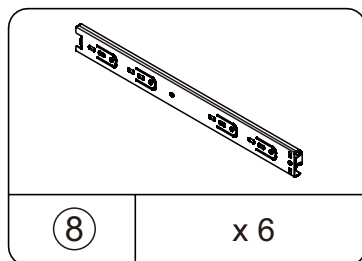
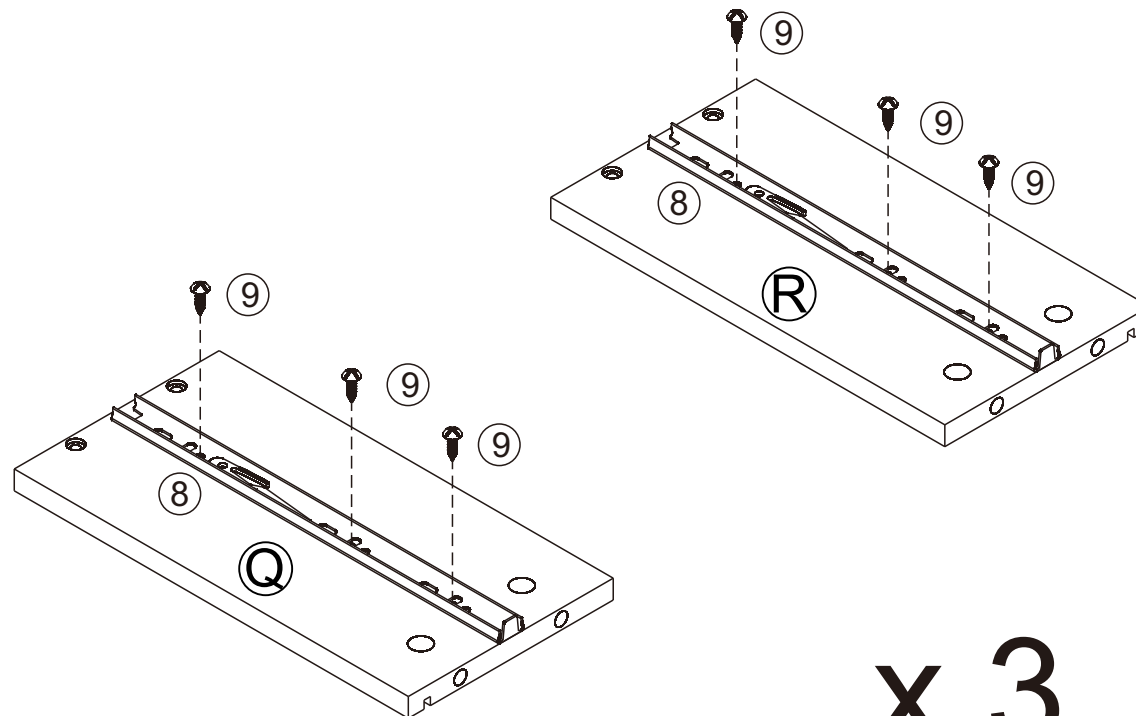
Proper orientation of cam lock.

12

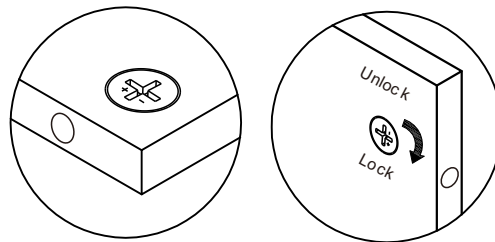
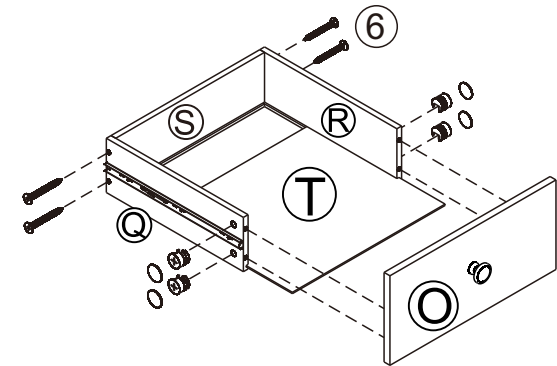
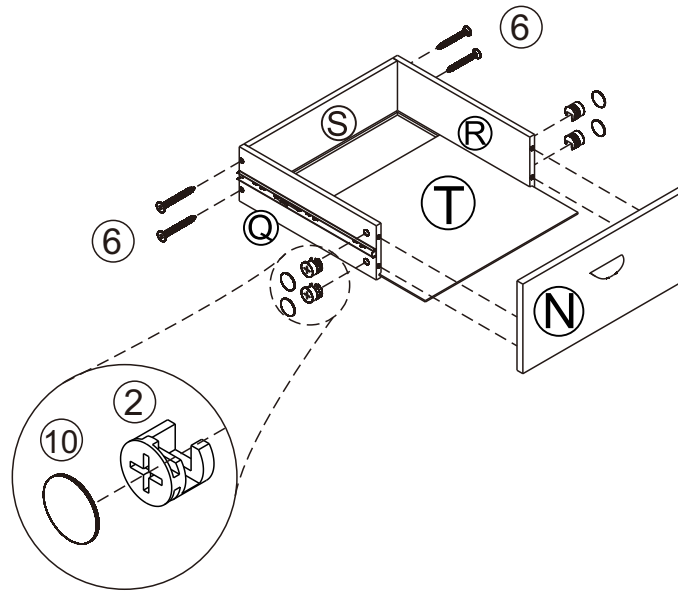
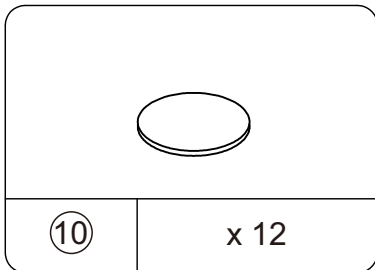
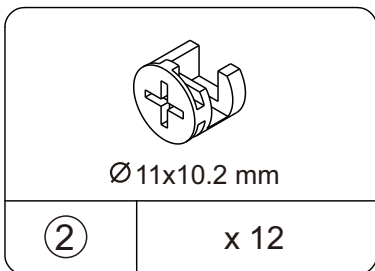
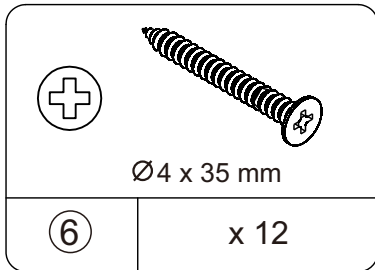


Donot overtigten.

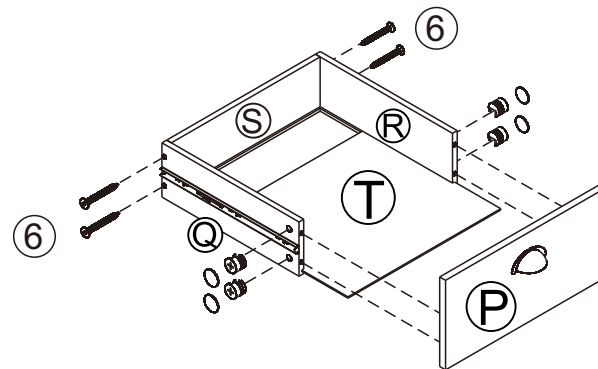
13



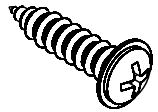
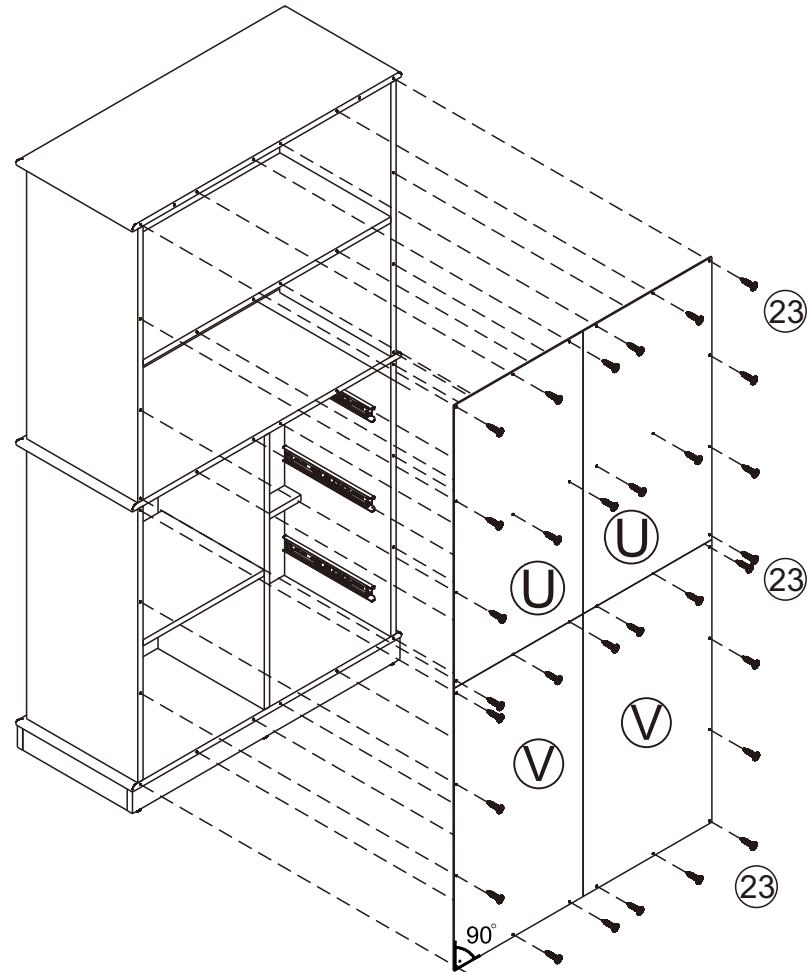
14



Proper orientation of cam lock.



15



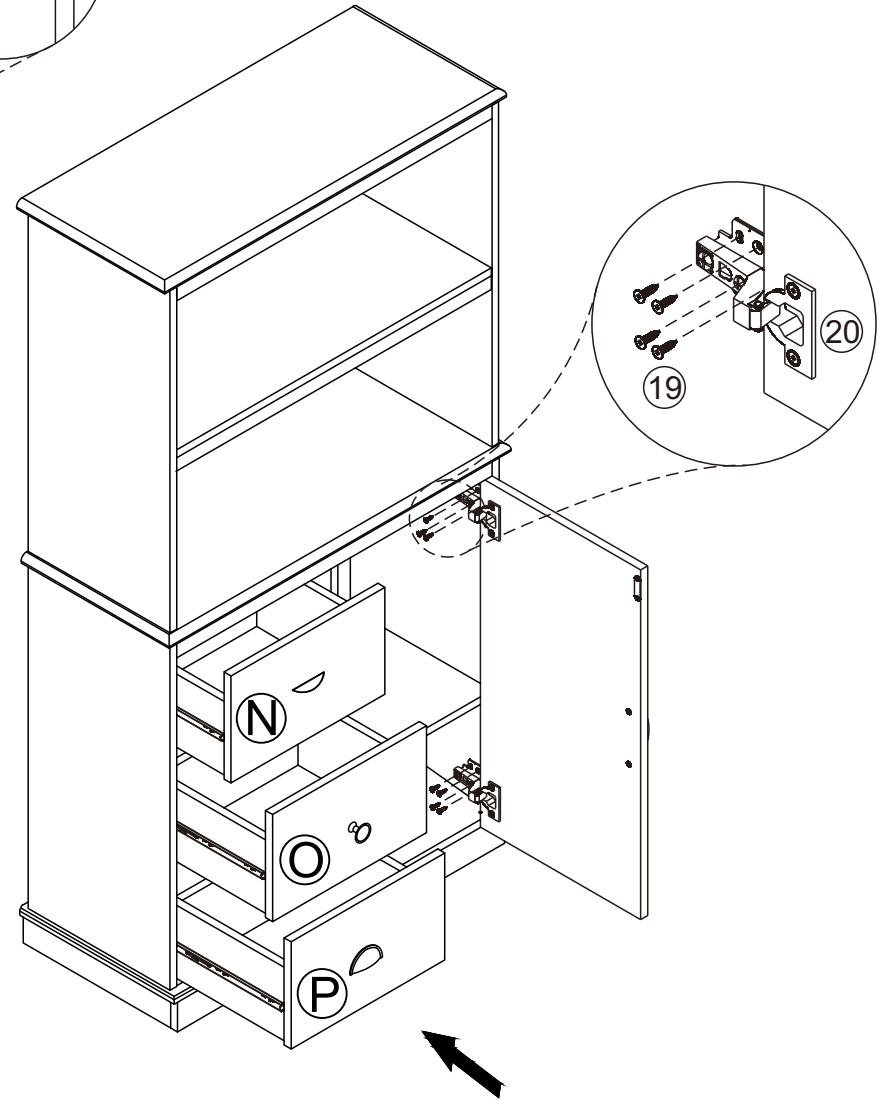
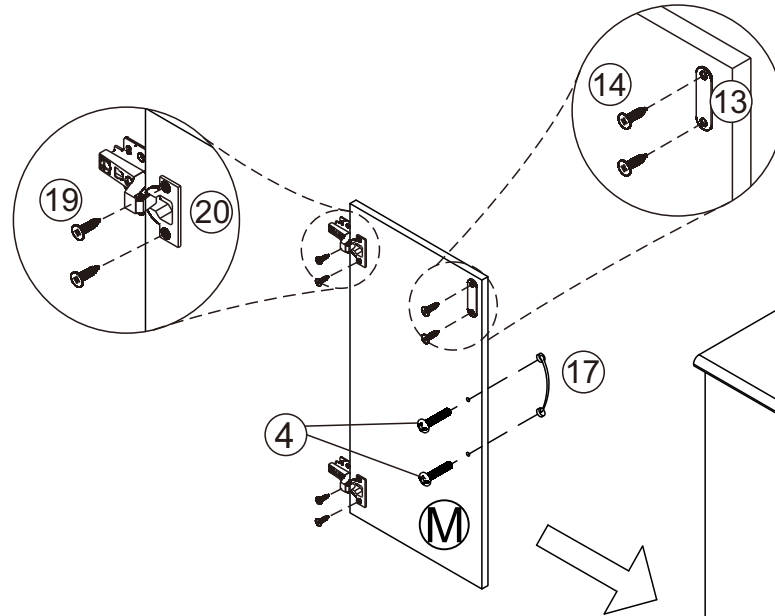
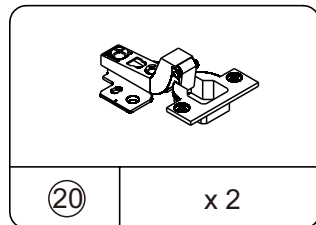
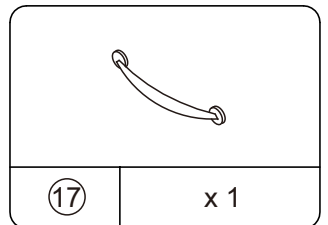
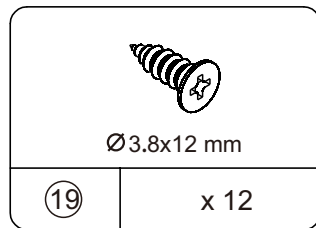
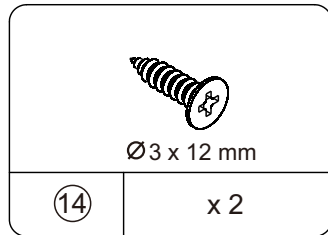
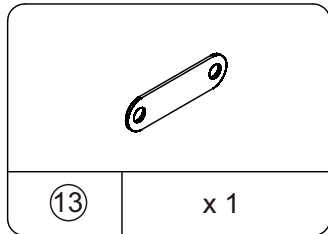
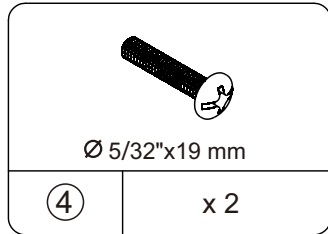
Ø 3 x 15 mm

23

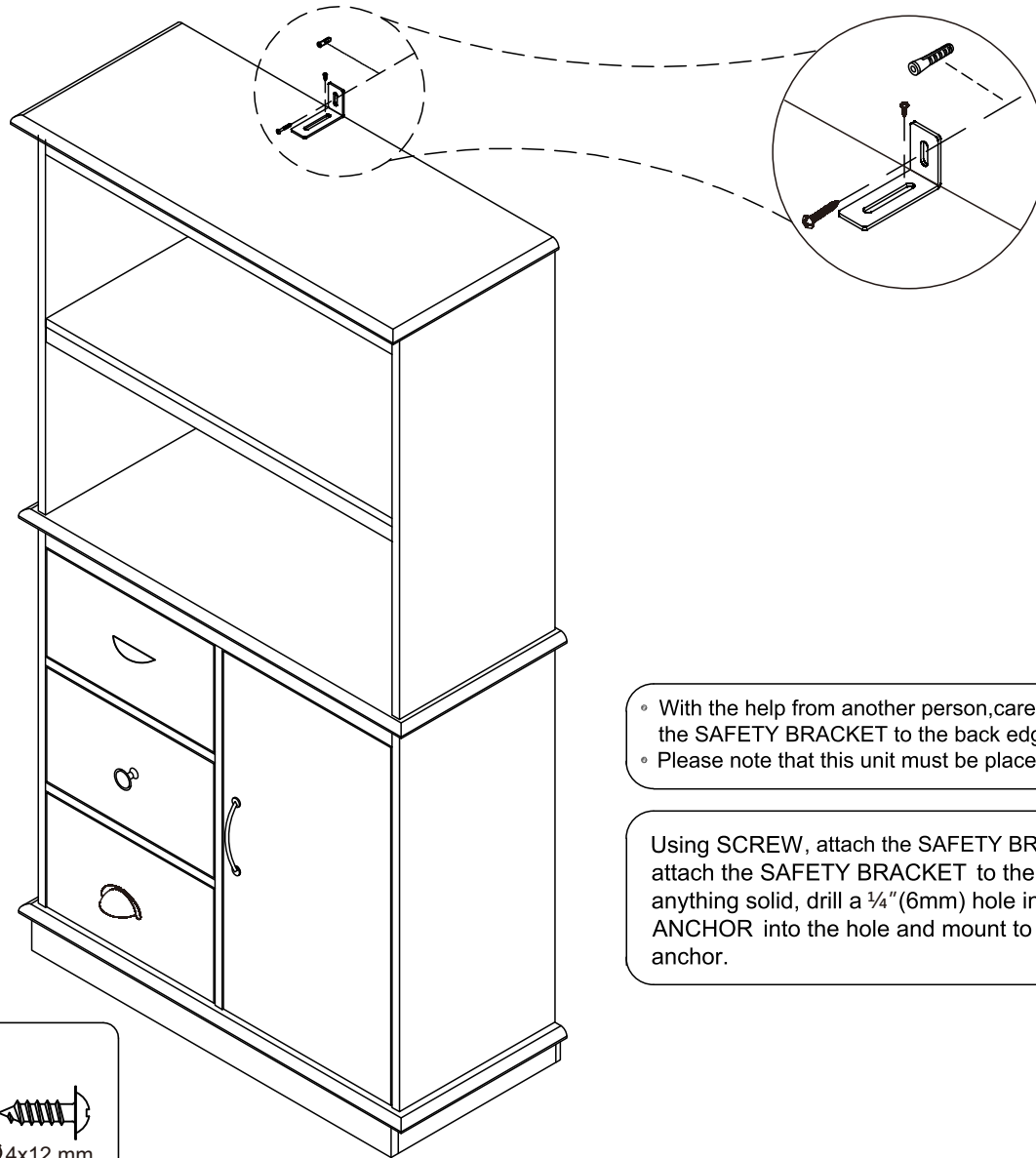
x 32

Before attaching the back panel, be sure that the unit is at 90°.

16


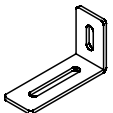
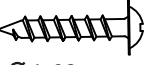
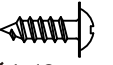


17

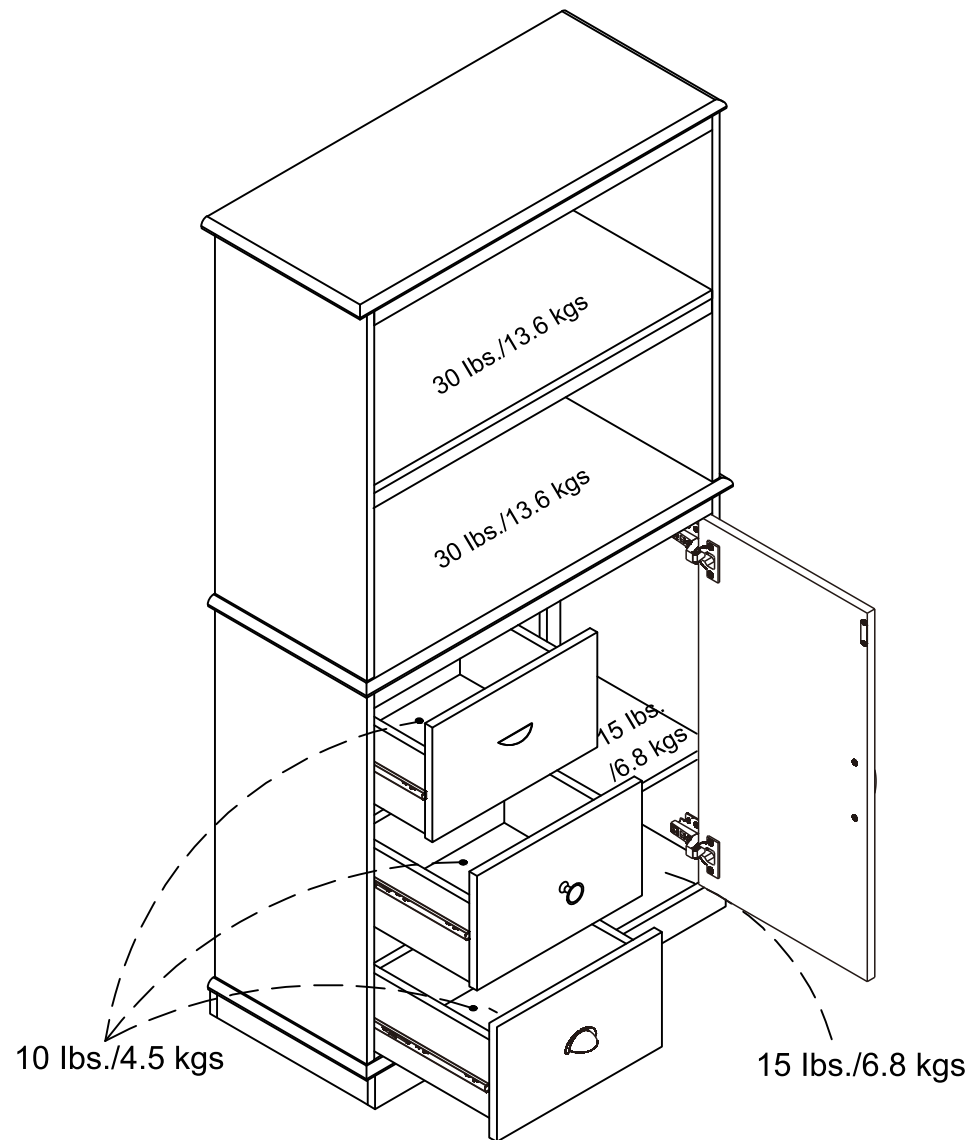


- With the help from another person, carefully stand the unit upright and attach the SAFETY BRACKET to the back edge of the top as shown.
- Please note that this unit must be placed against a wall.

Using SCREW, attach the SAFETY BRACKET. Using SCREW, attach the SAFETY BRACKET to the wall. If you do not screw into anything solid, drill a ¼" (6mm) hole in the screw location, tap the WALL ANCHOR into the hole and mount to the wall by screwing into the wall anchor.

			
		Ø4x32 mm	Ø4x12 mm
22	x 1		

WEIGHT LIMITS:



Enjoy Your Furniture

This unit has been designed to support the maximum loads shown. Exceeding these load limits could cause sagging, instability, product collapse, and/or serious injury.

▲ WARNING

Please make sure that all objects are removed before moving the assembled unit. The unit must be team lifted, not dragged or pushed. Failure to do so could cause instability, product collapse, and/or serious injury.

Mercer Storage Bookcase



Give any room a design boost with the Mercer Storage Bookcase. The bookcase comes with multicolored drawer fronts with a woodgrain appearance and 4 interchangeable knobs that bring a unique aesthetic to the room.

- The Mercer Storage Bookcase brings stylish storage to any room.
- Each drawer front has a different woodgrain finish with interchangeable knobs, allowing you to customize the bookcase's appearance.
- Two people are required for assembly.
- The bookcase has a black or white finish with multicolored woodgrain drawer fronts.
- The bookcase is constructed of laminated MDF and particleboard

Mercer Storage Bookcase



9634096UK Blue EAN: 5060669111085



9634196PCOMUK Black EAN: 5060669111078

Product
Height: 1450mm
Width: 762mm
Depth: 330mm
Weight: 35 kg

Shipping
Height: 860mm
Width: 430mm
Depth: 280mm
Weight: 39 kg