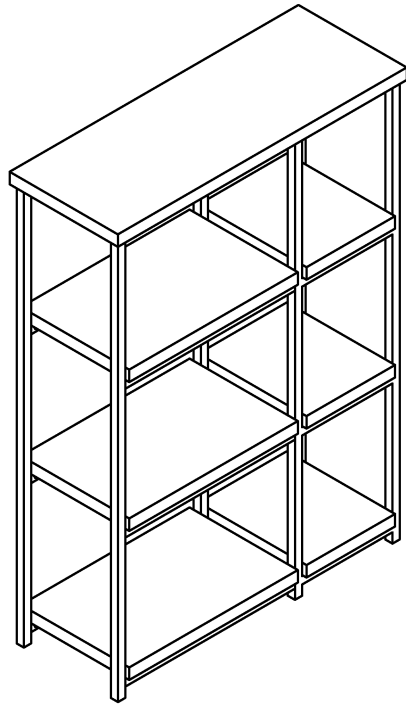


9650096PCOM UK



THIS INSTRUCTION BOOKLET CONTAINS **IMPORTANT** SAFETY INFORMATION. PLEASE READ IT CAREFULLY AND KEEP FOR FUTURE REFERENCE.

Do Not Return This Product!

Contact our customer service team for help first.

Call: 01942 524100

Visit: CSEurope@dorel.com

Dorel Home Furnishings Europe Ltd.
Building 4, Imperial Place, Maxwell Road
Borehamwood WD6 IJN United Kingdom

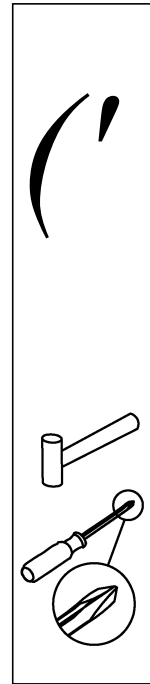
WARNING

- Unit can tip over causing severe injury or death.
- Anchor unit to stud in wall (if instructed to).
- Do Not allow children to climb on unit.
- Put heavy items on lower shelves or drawers.

Recommended no. of people needed for assembly : 2

Before starting

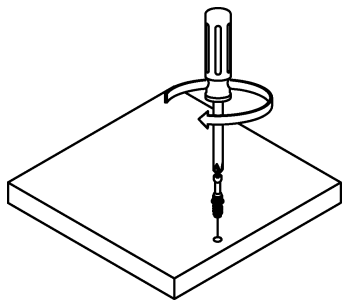
- D** Read each section carefully before starting. It is very important that each step is performed in the correct order. If these steps are not followed in sequence, assembly difficulties will occur.
- D** Make sure all parts are included. Most board parts are labeled or stamped on the raw edge.
- D** Work in spacious area, preferably on a carpet, near the place the unit will be located.
- D** Have the following tools close at hand.
- D** Do not use power tools to assemble your furniture. Power tools may strip or damage the parts.



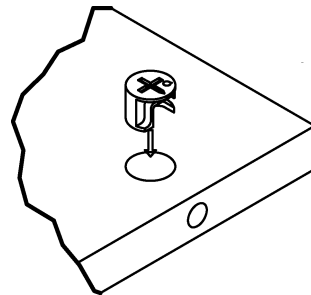
HELPFUL HINTS

- Identify, sort and count the parts before beginning assembly.
- Compression dowels should be tapped in with a rubber mallet.
- Slides have a lip on the right side only.
- Back panels provide stability and support.
- Unit may collapse without the back panel installed.
- Clean the product with your choice of furniture polish and a soft cloth. **DO NOT USE** harsh chemicals or abrasive cleaners.
- Move your new furniture carefully. Two people are needed to lift and carry the unit to its new location.
- Never push, drag or scoot your furniture (especially on a carpet).

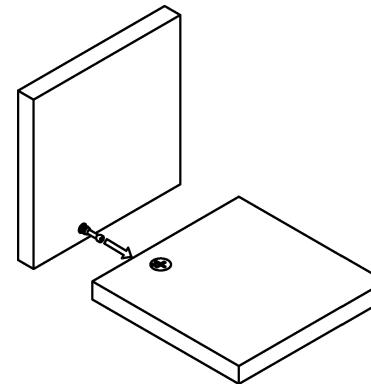
Cam Lock Fastening System



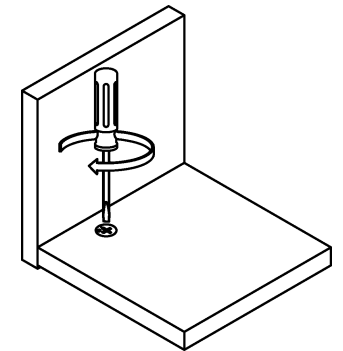
1



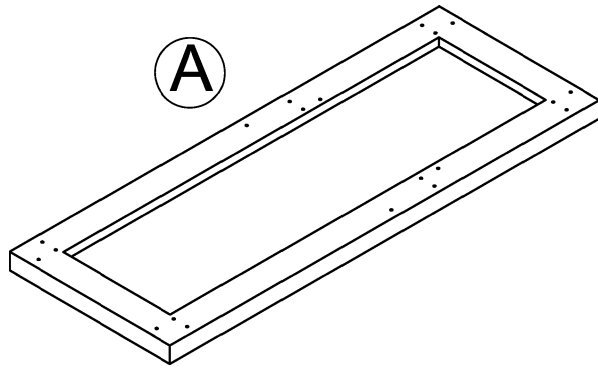
2



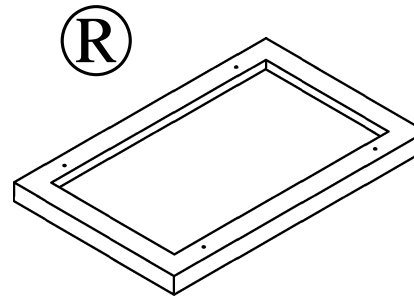
3



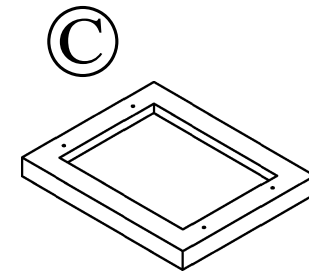
4



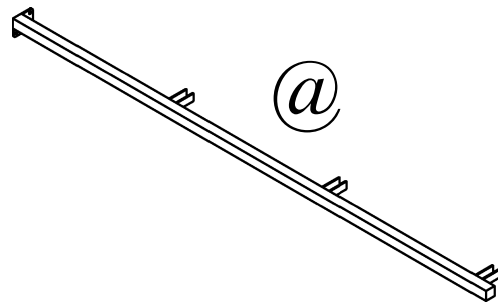
Top panel
T965009601 0CS



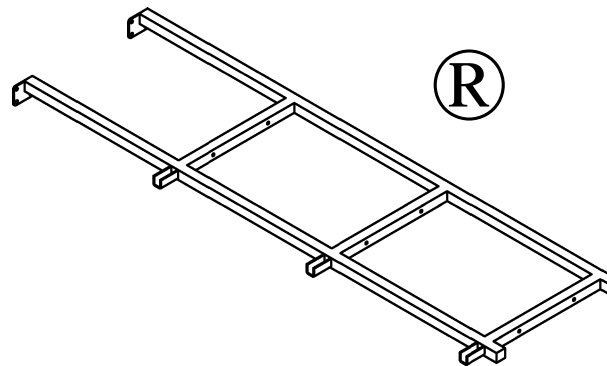
Fixed shelf
T9650096020CS
QTY: 3PCS



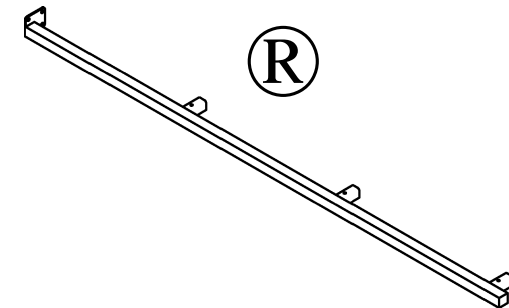
Fixed shelf
T9650096030CS
QTY: 3PCS



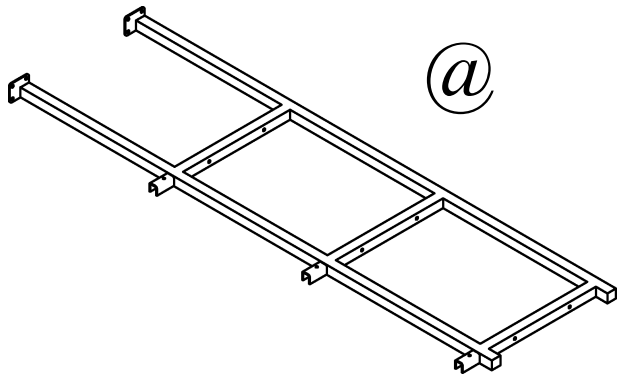
Front left leg
T9650096040CS



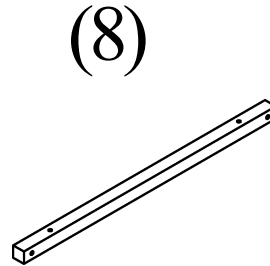
Front right leg
T9650096050CS



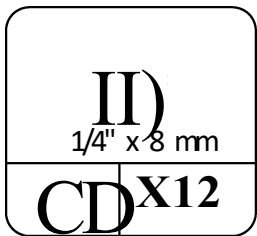
Rear left leg
T9650096060CS



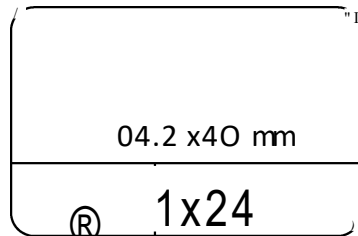
Rear right leg
T9650096070CS



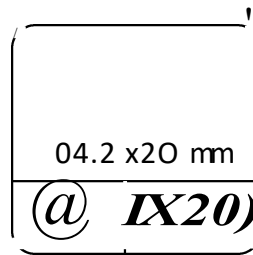
Metal tube
T9650096080CS
QTY: 6 PCS



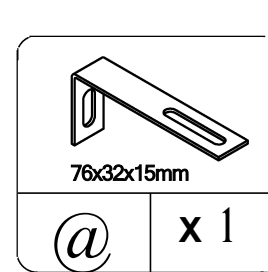
Bolt
TCS1103



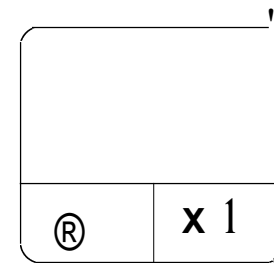
Screw
TCS1059



Screw
TCS1074

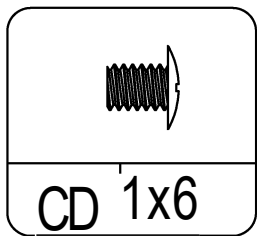
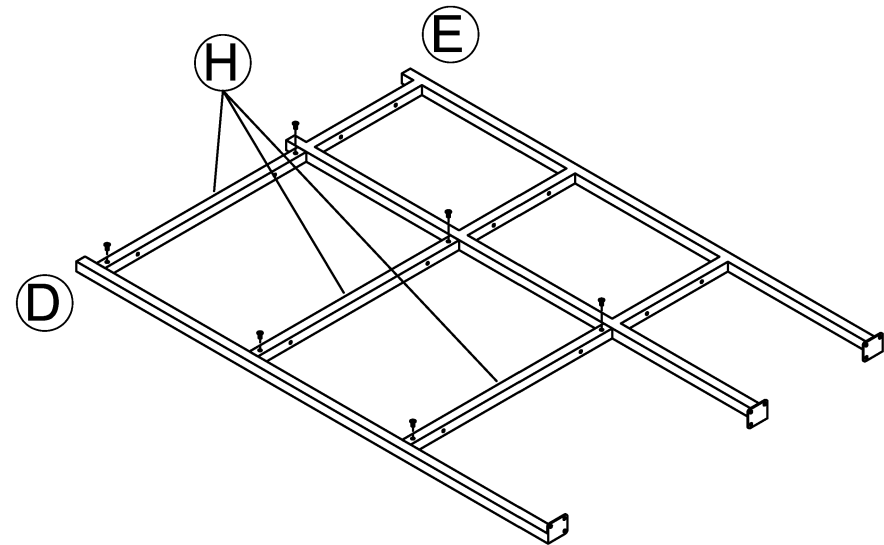
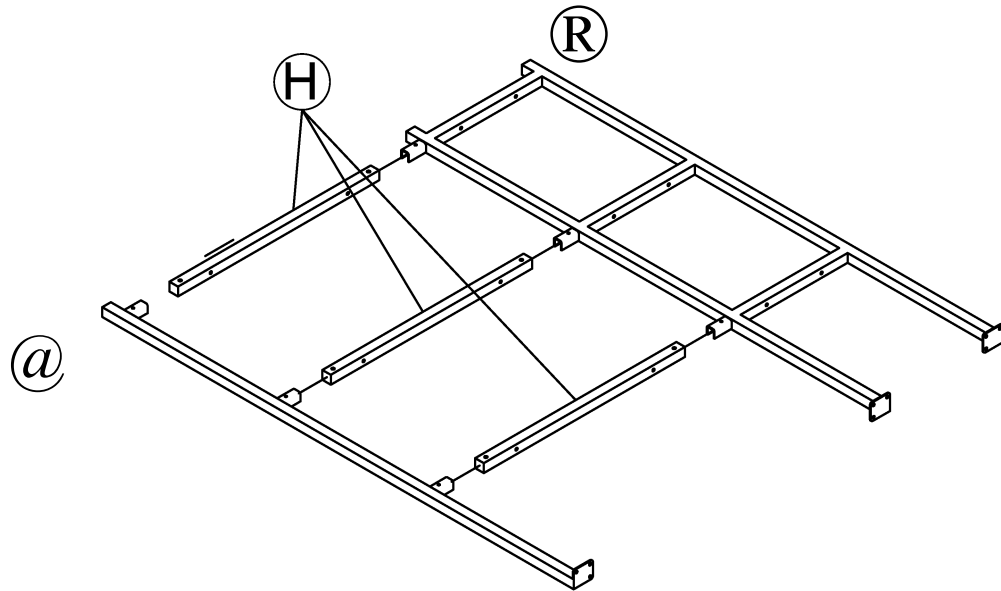


Wall bracket
TCS4004

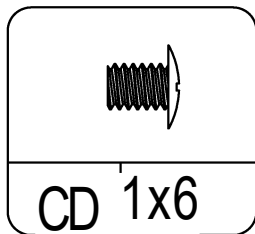
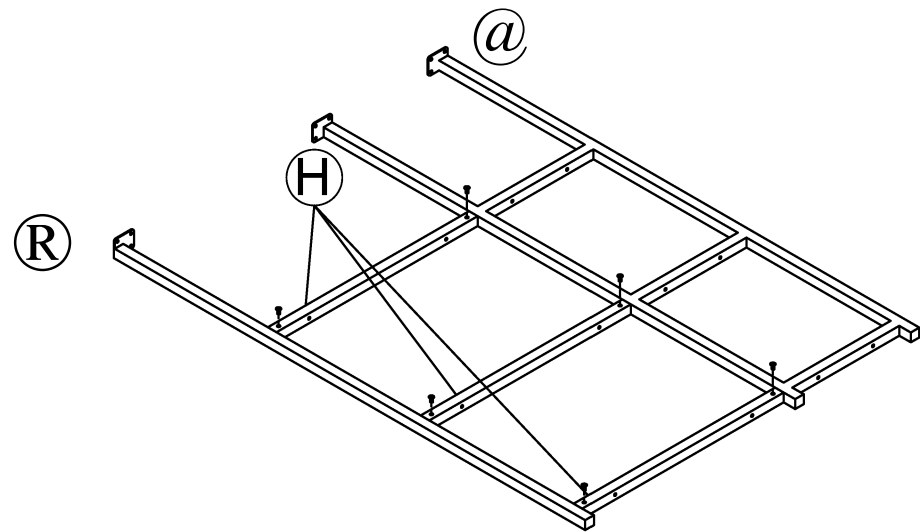
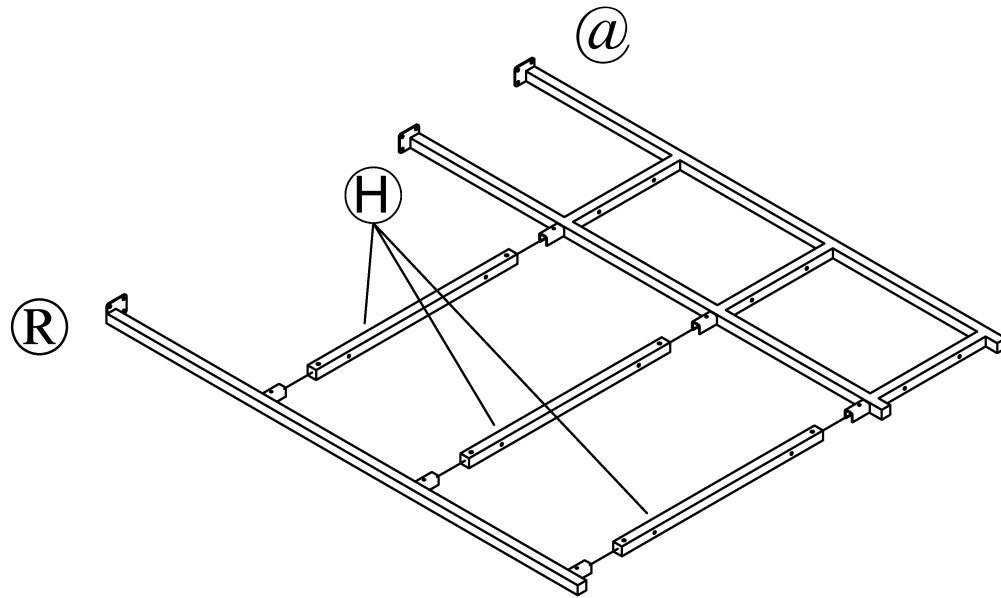


Wall anchor
TCS4005

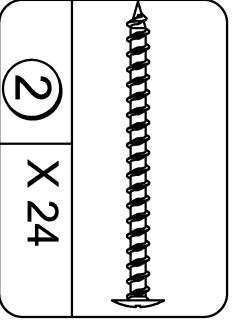
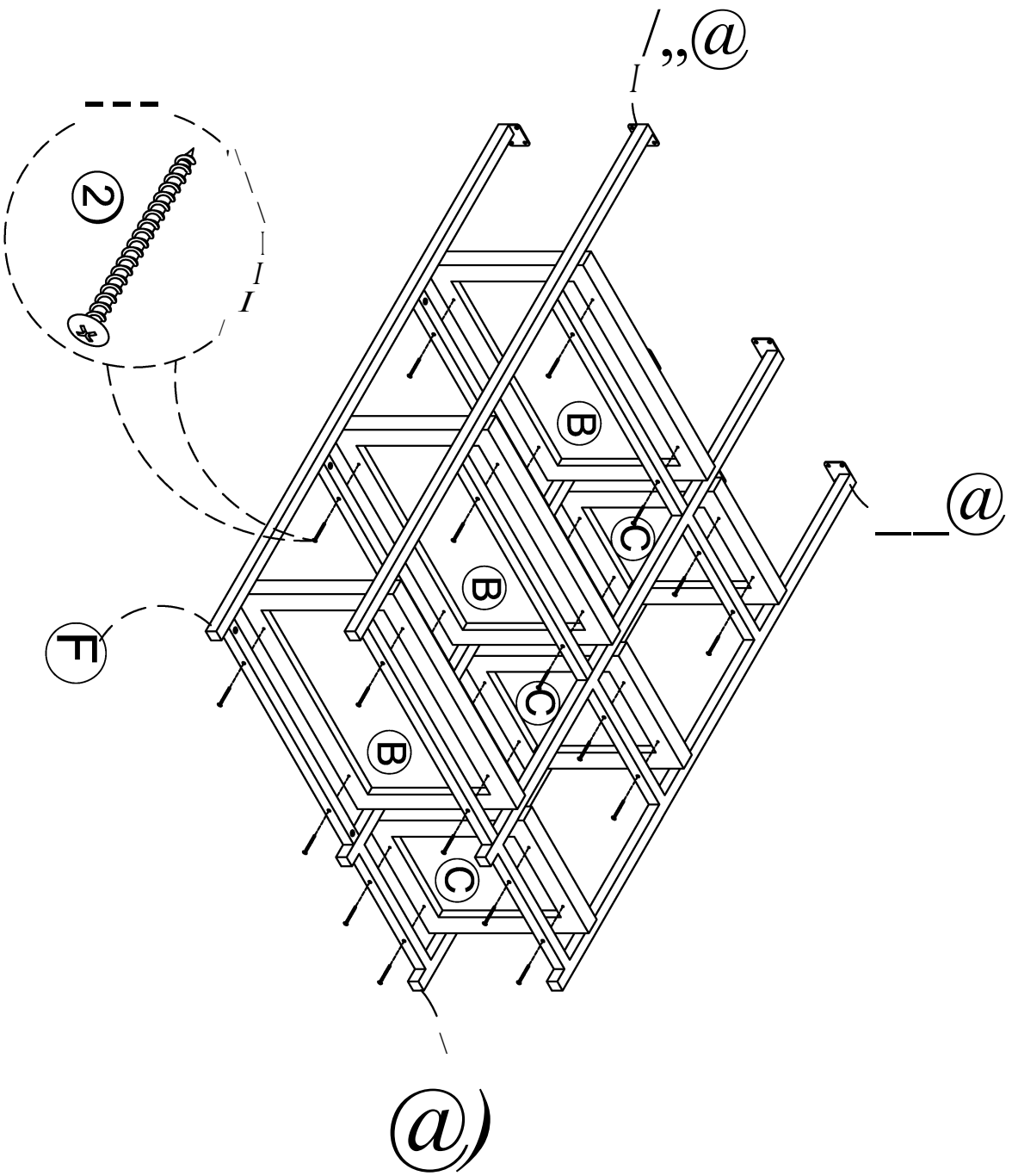
1



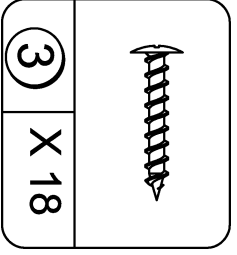
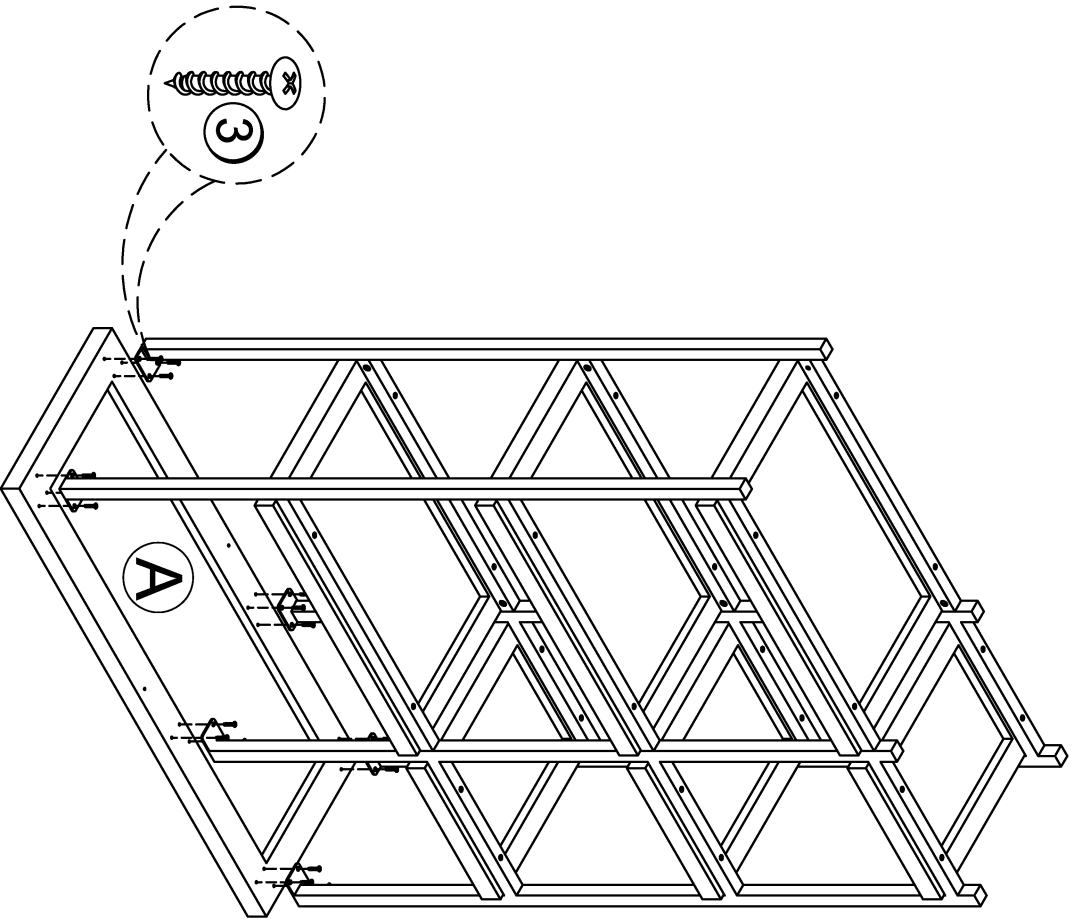
2



3

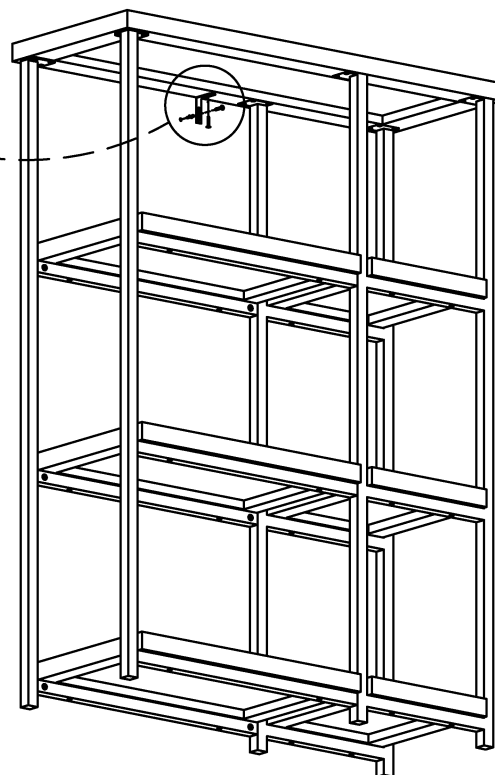
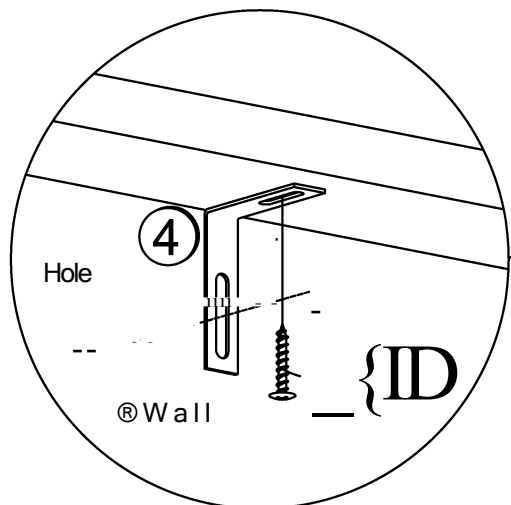


4



Note: Tighten all the bolts and screws to secure the unit.

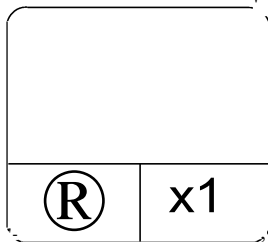
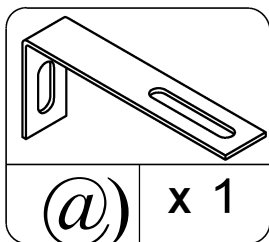
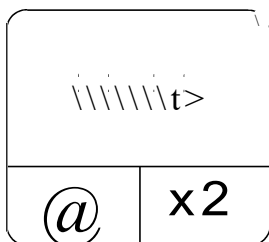
5



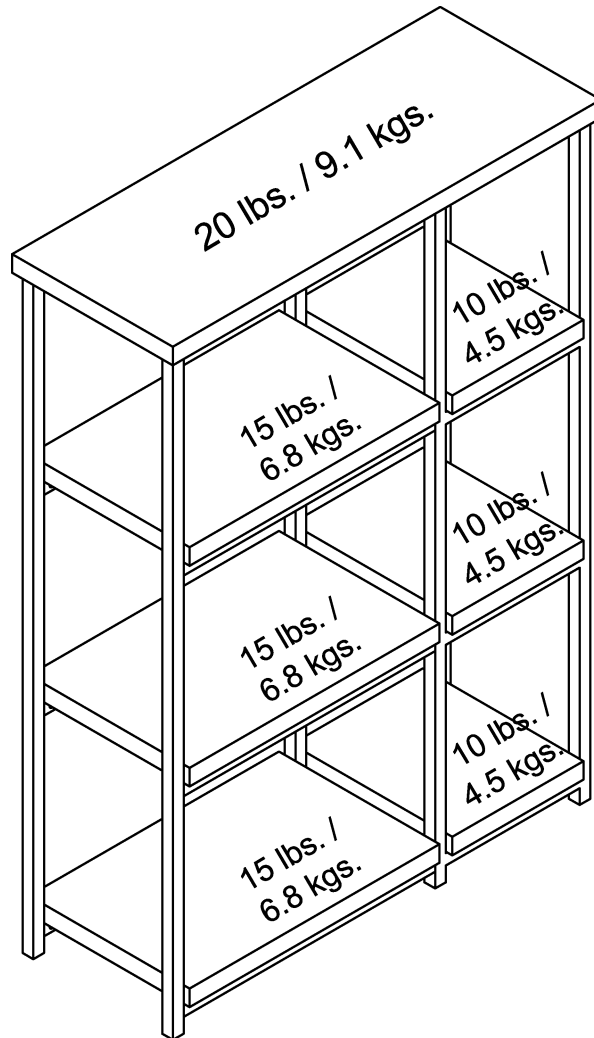
Drill a 3/16" (5 mm) diameter hole in the wall. Tap the wall anchor (5) into the hole until it is flush .

.A. Warning

This unit must be anchored to a stud or wall, as shown. Failure to do so could cause severe injury.



WEIGHT LIMITS :



.A. WARNING

Please make sure that all the objects are removed before moving the assembled unit. The unit must be lifted by more than one person, not dragged or pushed. Failure to do so will cause product damage, instability, product collapse, and/or serious injury.

This unit has been designed to support the maximum loads shown. Exceeding these load limits could cause sagging, instability, product collapse, and/or serious injury.