

# SMART Board® MX (V4) Pro series with iQ

SBID-MX255-V4-PW  
 SBID-MX265-V4-PW  
 SBID-MX275-V4-PW  
 SBID-MX286-V4-PW



Display	
<b>Screen sizes (diagonal)</b>	55", 65", 75", 86"
<b>Backlight</b>	LED
<b>Aspect ratio</b>	16:9
<b>Maximum display resolution</b>	4K UHD (3840 × 2160)
<b>Refresh rate</b>	60 Hz
<b>Lifespan</b>	≥ 50,000 hours
<b>Brightness (maximum)</b>	55": ≥ 300 cd/m <sup>2</sup> 65", 75", 86": ≥ 400 cd/m <sup>2</sup>
<b>Response time</b>	≤ 8 ms
<b>Viewing angle</b>	178°
<b>Glass</b>	55": Fully heat-tempered, anti-glare glass 65", 75", 86": Fully heat-tempered, anti-glare, bonded glass
<b>Frame color</b>	White
<b>Convenience buttons</b>	Home, power, volume, input select, screen shade, freeze frame
<b>Sensors</b>	Ambient light, infrared
<b>Audio</b>	55": 2 integrated 15 W speakers 65", 75", 86": 2 integrated 20 W speakers Integrated linear six-microphone array with support for on-board acoustic echo cancellation

<b>NFC</b>	Integrated RFID NFC reader/writer CCID (chip card interface device) when used with a native driver for operating systems (Windows, Linux, and/or Mac) Supported protocols: ISO 14443A/B, ISO 15693, NFC Tag 1-4
------------	---

Interactive experience	
<b>Touch technology</b>	HyPr Touch™ with Advanced IR
<b>Touch features</b>	Simultaneous Tool Differentiation™ Object Awareness™ Silktouch™
<b>Typical response time</b>	≤ 5 ms
<b>Frame rate</b>	≥ 200 Hz
<b>Accuracy</b>	1 mm
<b>Minimum object size</b>	2 mm
<b>Multitouch capabilities</b>	20 – Windows®, Mac, and Android™ 10 – Chrome OS™
<b>Tools included</b>	Pens (x2)
<b>Tool holders</b>	Magnetic, frame-mounted

[smarttech.com](http://smarttech.com)  
[smarttech.com/contact](http://smarttech.com/contact)

© 2023 SMART Technologies ULC. All rights reserved. SMART Board, SMART Notebook, SMART Ink, HyPr Touch, Simultaneous Tool Differentiation, Object Awareness, Silktouch, smarttech, the SMART logo and all SMART taglines are trademarks or registered trademarks of SMART Technologies ULC in the U.S. and/or other countries. The Adopted Trademarks HDMI, HDMI High-Definition Multimedia Interface, and the HDMI Logo are trademarks or registered trademarks of HDMI Licensing Administrator, Inc. in the United States and other countries. All other third-party product and company names may be trademarks of their respective owners. This product and/or use thereof is covered by one or more of the following U.S. patents: [www.smarttech.com/patents](http://www.smarttech.com/patents). Models and specifications may vary by region. Please contact your local representative for details. Contents are subject to change without notice. January 26, 2023.

Software	
<b>iQ built-in Android experience</b>	Included
<b>SMART Meeting Pro® Room license</b>	Included
<b>SMART Meeting Pro Personal licenses (×10)</b>	Included
<b>SMART Ink® and SMART Product Drivers</b>	Included
<b>SMART Remote Management</b>	Subscription for length of the included warranty

iQ built-in Android experience	
<b>Operating system</b>	Android version 11.0
<b>Memory</b>	8 GB DDR
<b>Storage</b>	32 GB (up to 544 GB)
<b>Digital whiteboard</b>	✓
<b>Web browser</b>	✓
<b>Screen sharing</b>	✓
<b>Other features</b>	Customizable home screen Live input preview File and app libraries Google Drive™ and OneDrive™ access
<b>Object Awareness supported</b>	✓
<b>Ability to run third-party applications</b>	✓
<b>Cloud storage access</b>	✓
<b>NFC sign in to a SMART Account</b>	✓
<b>Languages supported</b>	Basque, Catalan/Valencian, Chinese (simplified), Chinese (traditional), Czech, Danish, Dutch, English, Estonian, Finnish, French, Galician, German, Greek, Hungarian, Italian, Japanese, Korean, Latvian, Lithuanian, Norwegian, Polish, Portuguese, Romanian, Russian, Slovak, Slovenian, Spanish, Swedish, Ukrainian, Vietnamese, Welsh
<b>Updates</b>	Automatic over-the-air (OTA)

PC computing	
<b>OPS support</b>	✓
<b>OPS-C support</b>	✓
<b>PC module power supported OPS</b>	60 W
<b>Optional computing module</b>	SMART OPS PC with Windows 11 Pro

Inputs	Front	Back
OPS PC accessory slot (60 W devices)	–	1
MicroSD slot	–	1
HDMI® 2.1 with HDCP 1.4 and HDCP 2.3 support	1	2
VGA video	–	1
Stereo 3.5 mm (variable)	–	1
RS-232 (DB-9 connector)	–	1
RJ45 (LAN IN)	–	1
USB Type-C 4K @ 60Hz Display Port 1.2, USB 2.0 (UFP) for touch and digital audio, USB 3.2 Gen 1 (DFP) for peripherals; 15 W power delivery	1	–
USB Type-C 4K @ 60Hz Display Port 1.2, USB 2.0 (UFP) for touch and digital audio, USB 3.2 Gen 1 (DFP) for peripherals; 65 W power delivery	–	1
USB 2.0 Type-A	–	1
USB 3.2 Type-A	2	2
USB 3.2 Gen 1 Type-B	1	3

Outputs	Front	Back
HDMI 2.0 with HDCP 2.2 support	–	1
Stereo 3.5 mm (variable)	–	1
S/PDIF optical (fixed)	–	1
RJ45 (LAN OUT)	–	1

Included cables and accessories	Qty
Country-specific power cable	1
16' 5" (5 m) USB 2.0 A to B cable	1
Pens	2
External dual-band Wi-Fi antenna (2.4 and 5 GHz) and External Bluetooth antenna (2.4 GHz)	3
Remote control	1
AAA batteries	2
SMART ID cards (for NFC sign in to a SMART account)	2
Illustrated installation instructions	1
Important information document	1

### Connectivity

<b>Wired</b>	RJ45 (x2) 1000baseT
<b>Wi-Fi</b>	IEEE 802.11ax (Wi-Fi 6) supporting WEP, WPA, WPA2, WPA3 PSK, and 802.1X EAP authentication protocols
<b>Bluetooth</b>	5.2 dual mode

### Storage and operating requirements

<b>Power requirements</b>	100V to 240V AC, 50 Hz to 60 Hz
<b>Operating temperature</b>	41–95°F (5–35°C)
<b>Storage temperature</b>	–4–140°F (–20–60°C)
<b>Humidity</b>	5–80% relative humidity, non-condensing

### Power consumption

<b>Typical</b>	55": 88 W 65": 124 W 75": 142 W 86": 177 W
<b>Standby</b>	<0.5 W

### Certification and compliance<sup>1</sup>

<b>US / Canada</b>	UL, FCC, ISED, TSCA, CONEG Packaging, Proposition 65
<b>EU / EEA / EFTA / UK</b>	CE, UKCA, LVD, CB, EMCD, RED, REACH, RoHS, Battery, WEEE, Packaging, POP, Ecodesign
<b>Australia / New Zealand</b>	RCM
<b>Performance standards</b>	ENERGY STAR®, HDMI, HDCP

### Purchasing information

#### Order numbers

<b>Order number:</b> <b>SBID-MX255-V4-PW</b>	SMART Board MX055-V4 interactive display with iQ
<b>Order number:</b> <b>SBID-MX265-V4-PW</b>	SMART Board MX065-V4 interactive display with iQ
<b>Order number:</b> <b>SBID-MX275-V4-PW</b>	SMART Board MX075-V4 interactive display with iQ
<b>Order number:</b> <b>SBID-MX286-V4-PW</b>	SMART Board MX086-V4 interactive display with iQ

#### Optional accessories

<b>Order number:</b> <b>WM-SBID-200</b>	SMART Wall Mount for SMART MX series interactive displays
<b>Optional accessories</b>	See <a href="https://smarttech.com/accessories">smarttech.com/accessories</a>

### Warranty

<b>SMART Assure warranty</b>	Terms and conditions and warranty upgrade options vary by region. Visit <a href="https://smarttech.com/warranty">smarttech.com/warranty</a> or contact your reseller for information
------------------------------	--

### Cable requirements

<b>HDMI</b>	Certified premium high speed HDMI (18 Gbps) Maximum length: 23' (7 m)
<b>USB 2.0</b>	USB 2.0 certified Hi-Speed (480 Mbps) support Maximum length: 16' (5 m)
<b>USB 3.0</b>	USB 3.0 certified SuperSpeed (5 Gbps) support Maximum length: 9' (3 m)
<b>USB Type-C</b>	USB 3.2 Gen 1 certified SuperSpeed (5 Gbps) support Maximum length: 6' (2 m)
<b>More information</b>	See <a href="https://smarttech.com/kb/171555">smarttech.com/kb/171555</a>

<sup>1</sup>Product availability may vary by region.

This product has received additional certifications not listed here.

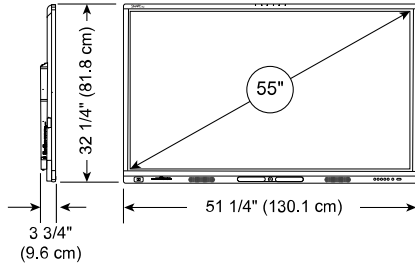
## Installation, dimensions, and weights

### Notes

- All dimensions  $\pm 1/8"$  (0.3 cm). All weights  $\pm 2$  lb. (0.9 kg).
- Product ships upright.
- Leave space around the display to ensure adequate ventilation. See *SMART Board MX series interactive displays installation and maintenance guide* ([smarttech.com/kb/171257](http://smarttech.com/kb/171257)) for the specific space requirements.

### SBID-MX255-V4-PW

#### Dimensions



#### Weight

71 lb. (32 kg)

#### Shipping dimensions (including pallet)

56.1"  $\times$  43.7"  $\times$  6.3"  
(142.5 cm  $\times$  111 cm  $\times$  16 cm)

#### Shipping weight (including pallet)

103 lb. (47 kg)

#### VESA mount

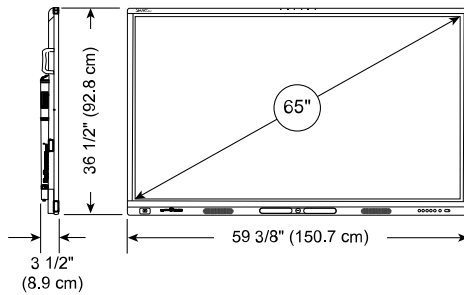
M8, 400  $\times$  400 mm

#### Handles

0

### SBID-MX265-V4-PW

#### Dimensions



#### Weight

89 lb. (40 kg)

#### Shipping dimensions (including pallet)

63.8"  $\times$  45.9"  $\times$  6.3"  
(162 cm  $\times$  116.5 cm  $\times$  16 cm)

#### Shipping weight

124 lb. (56 kg)

#### VESA mount

M8, 600  $\times$  400 mm

#### Handles

2

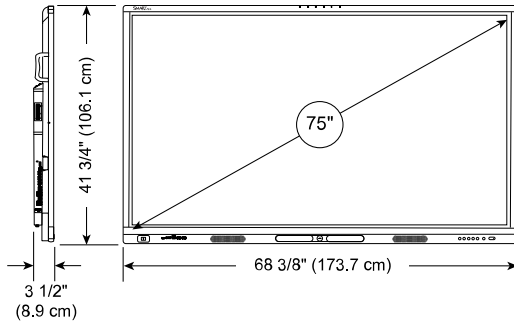
### Installation, dimensions, and weights (continued)

#### Notes

- All dimensions  $\pm 1/8"$  (0.3 cm). All weights  $\pm 2$  lb. (0.9 kg).
- Product ships upright.

### SBID-MX275-V4-PW

#### Dimensions



#### Weight

119 lb. (54 kg)

#### Shipping dimensions (including pallet)

71.7" x 50.6" x 6.3"  
(182 cm x 128.5 cm x 16 cm)

#### Shipping weight

159 lb. (72 kg)

#### VESA mount

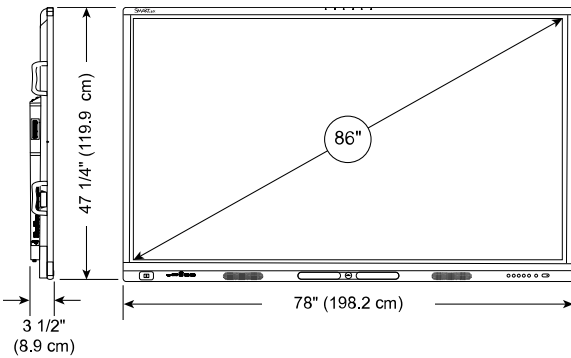
M8, 800 x 400 mm

#### Handles

2

### SBID-MX286-V4-PW

#### Dimensions



#### Weight

150 lb. (68 kg)

#### Shipping dimensions (including pallet)

85.2" x 59.6" x 6.3"  
(216.5 cm x 144.5 cm x 16 cm)

#### Shipping weight

207 lb. (94 kg)

#### VESA mount

M8, 800 x 600 mm

#### Handles

4