

USB-C Multiport Mini Dock with Power Pass-Through

UH3239

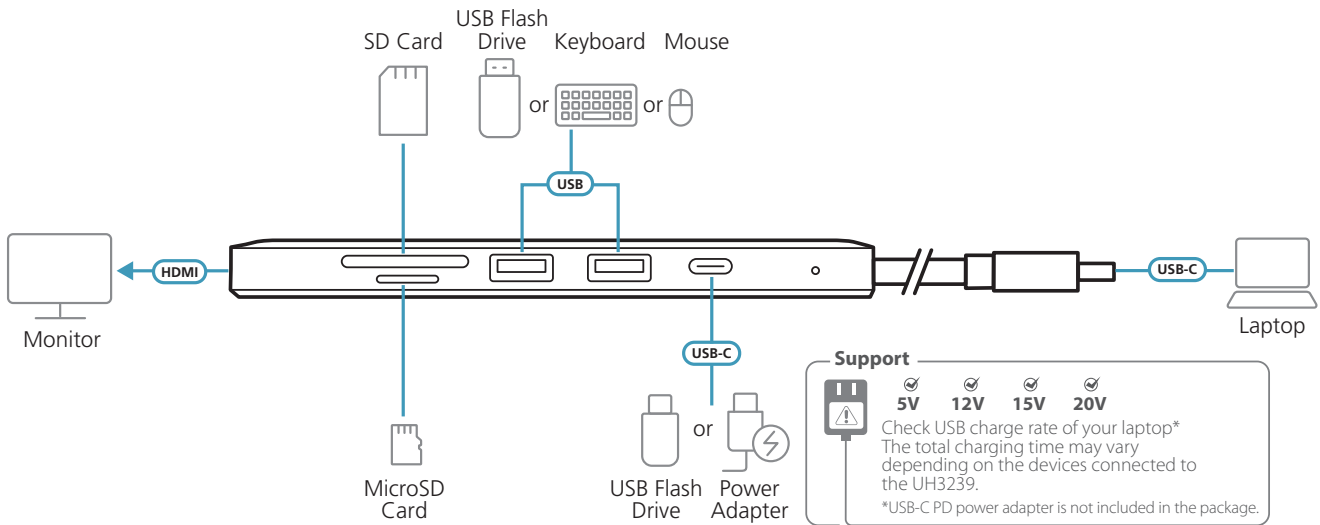
The UH3239 USB-C Multiport Mini Dock with Power Pass-Through is a portable, versatile and flexible 6-in-1 adapter for USB-C PCs or laptops. The durable aluminum enclosure ships with dual USB 3.2 Type-A ports, a USB-C PD port, an HDMI port along with an SD card and a MicroSD card slots. It covers users' peripheral connectivity demands while allowing power delivery to the connected USB-C device. It supports resolutions up to 4K HDMI (3840 x 2160 @ 30 Hz) to ensure that every detail of the video is displayed in the crisp and sharp UHD resolution on the 4K graphics-supported laptop. Besides, its 2 USB 3.2 Gen 1 Type-A ports guarantee effective communication with peripherals at a decent 5 Gbps transmission speed. Thanks to the USB-C PD port, the UH3239 can provide power or charge the external devices, and hence, there will be no more tangled data cables on the desk.

The UH3239 is a plug-and-play device compatible with all major operating systems (Windows®, macOS X and iPadOS). It is a compact, yet competent, data and power transmission solution for on-the-go professionals when it comes to building a mobile workstation ecosystem.



Features

- 6-in-1 multi-function dock that includes 1x HDMI, 1x SD / MicroSD card reader, 1x USB-C PD port and 2x USB 3.2 Gen 1 Type-A ports
- Supports USB PD 2.0 for laptop charging up to 60 W via USB-C PD power adapter - power profiles include 5V, 12V, 15V, 20V
- Supports resolutions up to 4K (3840 x 2160 @ 30 Hz) for superior video distribution
- Plug and Play — no drivers needed
- Works with all major operating systems: Windows®, macOS X and iPadOS
- Compatible with Thunderbolt™ 3 (USB-C)



Specifications

UH3239	
Computer Connections	1
Cable Length	55 cm
Connectors	
Computer	1 x USB-C 3.2 Gen 1 Male Cable
Device	2 x USB 3.2 Gen 1 Type-A Female (Max. output 5V, 4.5W each) 1 x USB-C 3.2 Gen 1 Female (Max. output 5V, 12W) Note: 2 x USB Type-A and 1 x USB-C ports share total of 5V, 12W power output when the UH3239 is powered by PC via USB-C (@ 5V, 3A bus-powered).
Power	1 x USB-C Female (supports USB-C 3.2 Gen1 port data transfer) Supports Power Delivery 2.0 for laptop charging up to 60W Note: Supported power profiles include 5V, 12V, 15V, 20V (additional USB-C power adapter needed).
Video Output	1 x HDMI Female (Black)
Performance	
Flash Memory	Supports SD V1.0 / v1.1 / v2.0 / V3.01 and V5.0 SD (Capacity up to 2 GB) SDHC (Capacity up to 32 GB) SDXC (Capacity up to 2 TB)
Video Resolution	3840 x 2160 @ 30 Hz
Power Consumption	5V, 15W
System Requirements	Windows® 10 or later, USB-C enabled computer with DP Alt Mode* *With Intel 7 th -Generation Core Processor (Kaby-Lake) or above. More info about CPU generation, please find: https://www.intel.com/content/www/us/en/processors/processor-numbers.html macOS X 10.12 or later, USB-C enabled computer iPadOS 13.1 or later, iPad Pro (USB-C)
Environmental	
Operating Temperature	0 – 40 °C
Storage Temperature	-20 – 60 °C
Humidity	0 – 80% RH, Non-condensing
Physical Properties	
Housing	Aluminum
Weight	0.078 Kg
Dimensions (L x W x H)	13.30 x 3.60 x 1.10 cm

ATEN International Co., Ltd.

3F, No.125, Sec. 2, Datung Rd., Sijhih District., New Taipei City 221, Taiwan
Phone: 886-2-8692-6789 Fax: 886-2-8692-6767
www.aten.com E-mail: marketing@aten.com

Product information is subject to change without prior notice.

Released: 10/2022 V2.0

© Copyright 2022 ATEN® International Co. Ltd.
ATEN and the ATEN logo are registered trademarks of ATEN International Co., Ltd.
All rights reserved. All other trademarks are the property of their respective owners.
The terms HDMI, HDMI High-Definition Multimedia Interface, and the HDMI Logo are trademarks or registered trademarks of HDMI Licensing Administrator, Inc.

