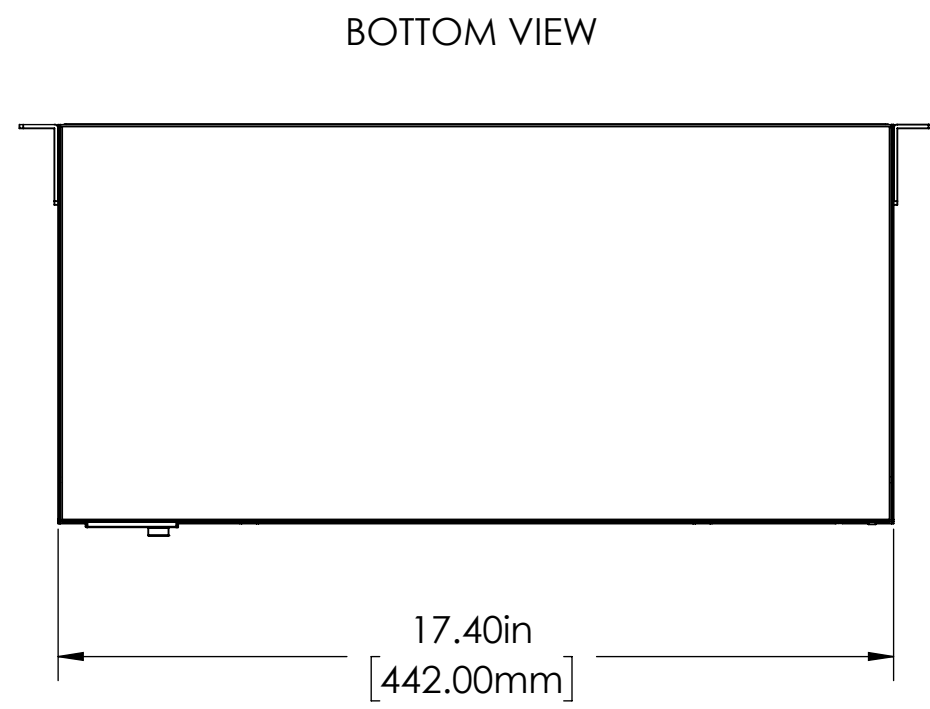
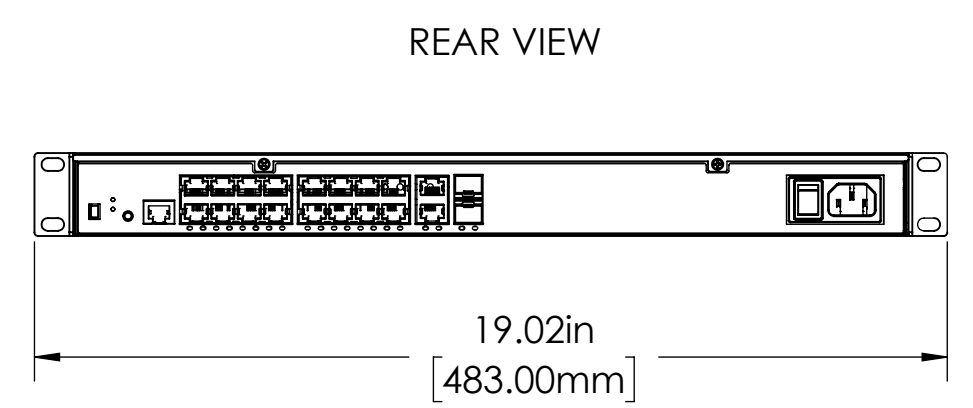
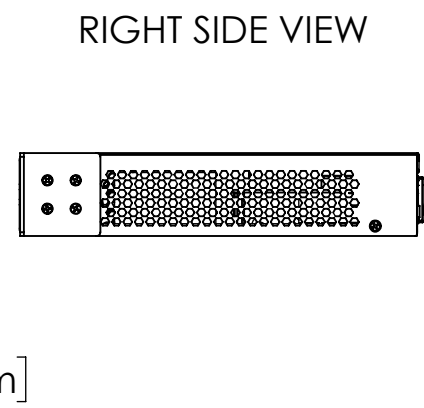
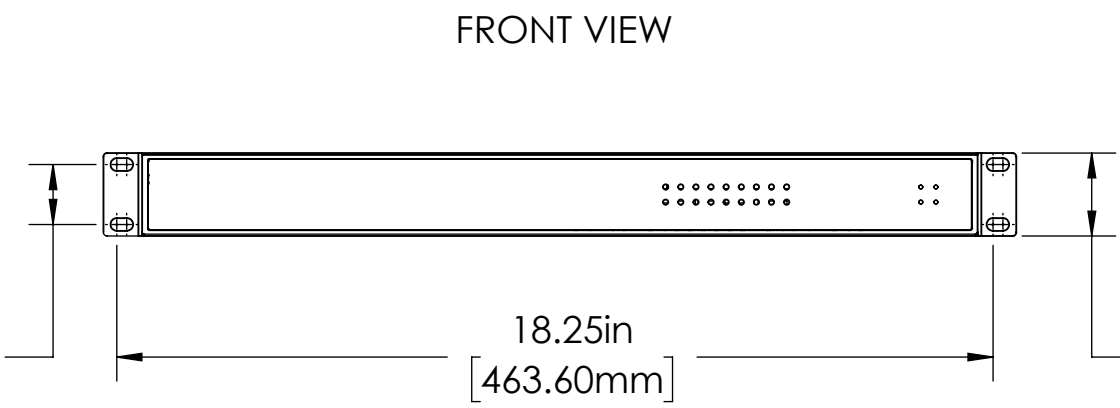


1.25in
[31.70mm]



UNLESS OTHERWISE NOTED: DIMENSIONS ARE IN INCHES DIMENSIONAL LIMITS APPLY AFTER FINISH MACHINED SURFACES 125 EDGES & FILLETS R .005/.015 FRACTIONS ± 1/32 ANGLES ± 1° DEC. XX = ± .015 .XXX = ± .005 .XXXX = ± .0002		THIS DRAWING, INCLUDING ALL SUBJECT MATTERS INDICATED THEREON OR DERIVED THEREFROM, COMPRISES PROPRIETARY INFORMATION AND IS THE EXPRESS PROPERTY OF VADDIO LLC. EMPLOYMENT, REPRODUCTION OR DISSEMINATION OF THIS DRAWING, IN WHOLE OR IN PART, WITHOUT WRITTEN PERMISSION OF VADDIO LLC IS STRICTLY FORBIDDEN.			
<p>LUXUL</p>		DRAWN	CHECKED	APPROVED	DATE
		CPM			4-27-20
MATERIAL		FINISH		SCALE	SIZE
VARIOUS		NONE		1:4	C
TITLE	SHEET	DRAWING NO.	REV.		
	1 OF 1	AMS-1816P			