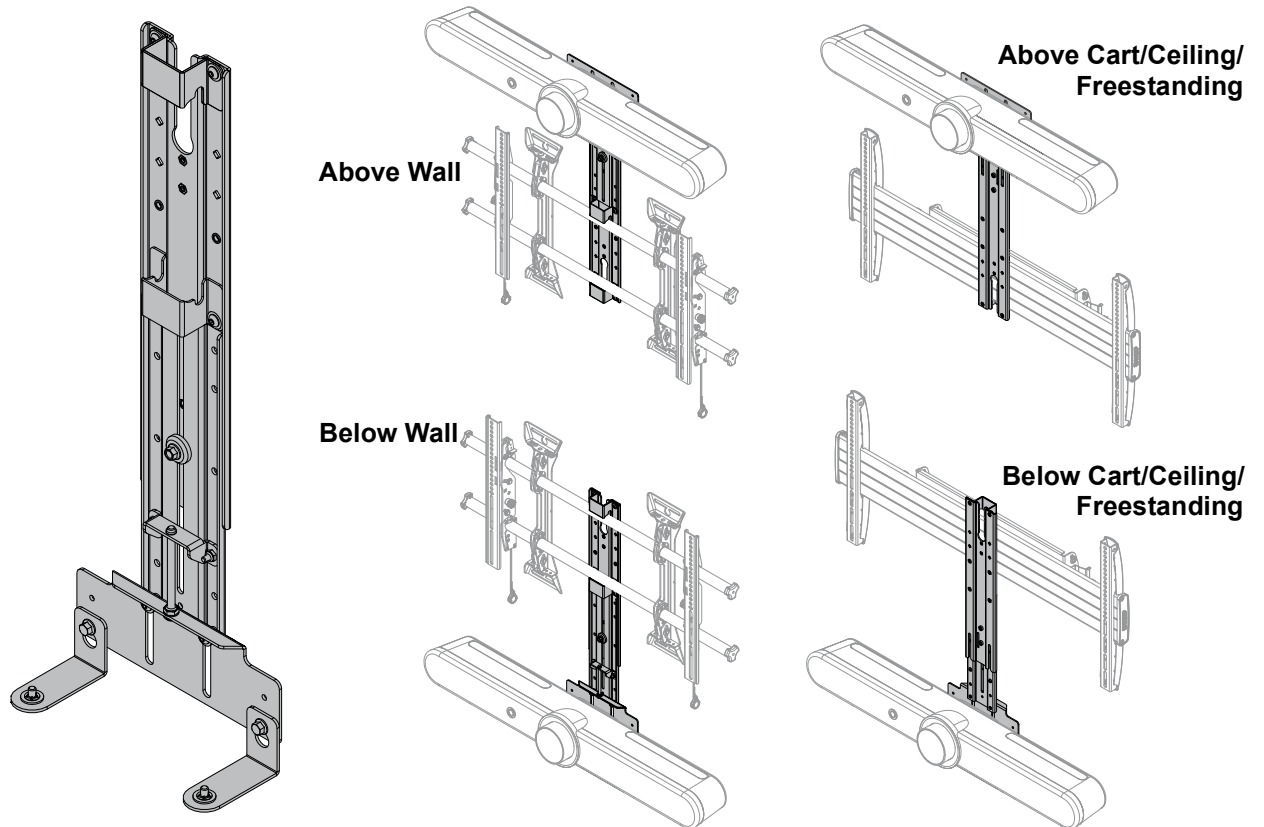


INSTALLATION INSTRUCTIONS



Fusion® Display Mount Accessory For Logitech® Rally Bar/Rally Bar Mini

DISCLAIMER

Legrand | AV and its affiliated corporations and subsidiaries (collectively "Legrand | AV"), intend to make this manual accurate and complete. However, Legrand | AV makes no claim that the information contained herein covers all details, conditions or variations, nor does it provide for every possible contingency in connection with the installation or use of this product. The information contained in this document is subject to change without notice or obligation of any kind. Legrand | AV makes no representation of warranty, expressed or implied, regarding the information contained herein. Legrand | AV assumes no responsibility for accuracy, completeness or sufficiency of the information contained in this document.

Chief® is a registered trademark of Legrand AV Inc.

DEFINITIONS

WARNING: A WARNING alerts you to the possibility of serious injury or death if you do not follow the instructions.

CAUTION: A CAUTION alerts you to the possibility of damage or destruction of equipment if you do not follow the corresponding instructions.

MOUNTING SYSTEM: A MOUNTING SYSTEM is the primary product designed to mount the projector or display.

ACCESSORY: An ACCESSORY is any product designed by Chief® to complement the primary mounting system either by mounting any supporting components or enhancing the mounting capabilities of the primary mounting system.

COMPONENT: A COMPONENT is any secondary product designed to be used with the accessory, i.e. speakers, CPU's, cameras, tablets, additional displays.

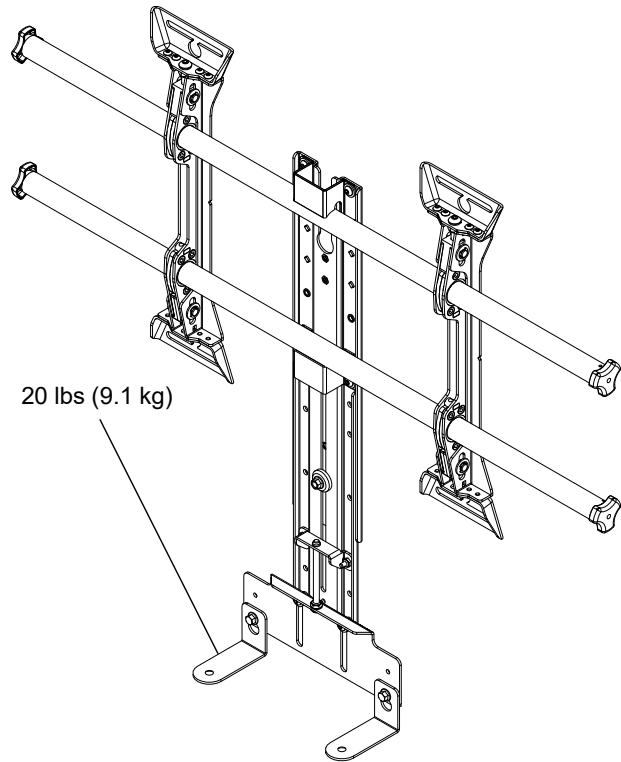
! IMPORTANT SAFETY INSTRUCTIONS

! WARNING: Failure to read, thoroughly understand, and follow all instructions can result in serious personal injury, damage to equipment, or voiding of factory warranty! It is the installer's responsibility to make sure all components are properly assembled and installed using the instructions provided.

! WARNING: Exceeding the weight capacity can result in serious personal injury or damage to equipment! It is the installer's responsibility to make sure the weight mounted to the FCALRB1 shelf does not exceed 20 lbs (9.1 kg).

! WARNING: Use of this accessory will decrease the weight capacity of the mounting system to which it is attached by the combined weight of the accessory and all components supported by this accessory! See Figure below for reference.

Subtract the combined weight of the FCALRB1 accessory and attached camera from the standard weight limit of the mounting system being used



! WARNING: Use this accessory only for its intended use as described in these instructions. Do not use attachments not recommended by the manufacturer.

! WARNING: Never operate this accessory if it is damaged. Return the accessory to a service center for examination and repair.

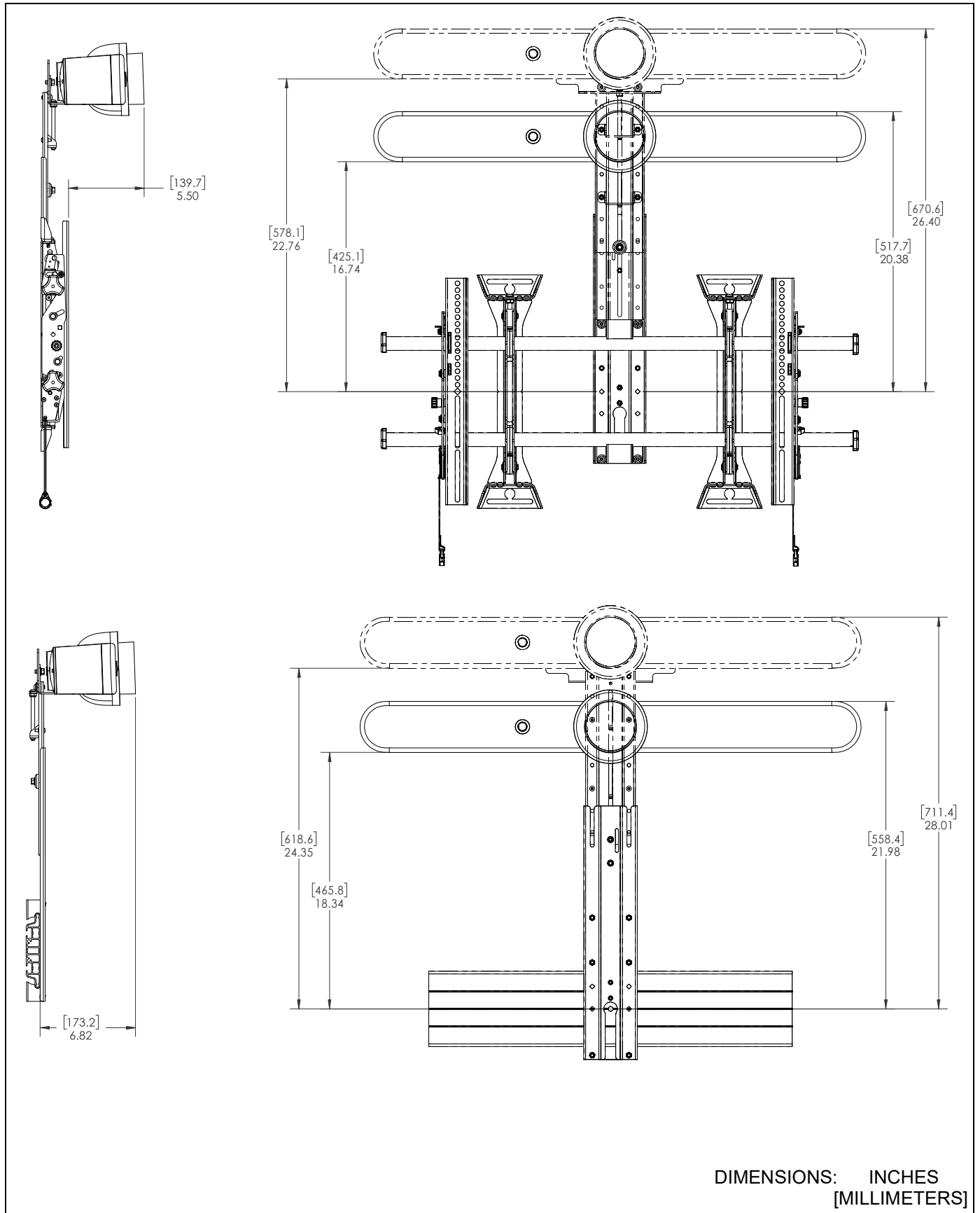
! WARNING: Do not use this product outdoors.

! WARNING: RISK OF INJURY TO PERSONS! Do not use this accessory to support video equipment such as televisions or computer monitors.

IMPORTANT ! : The FCALRB1 accessory is designed for use with displays between 55" and 84".

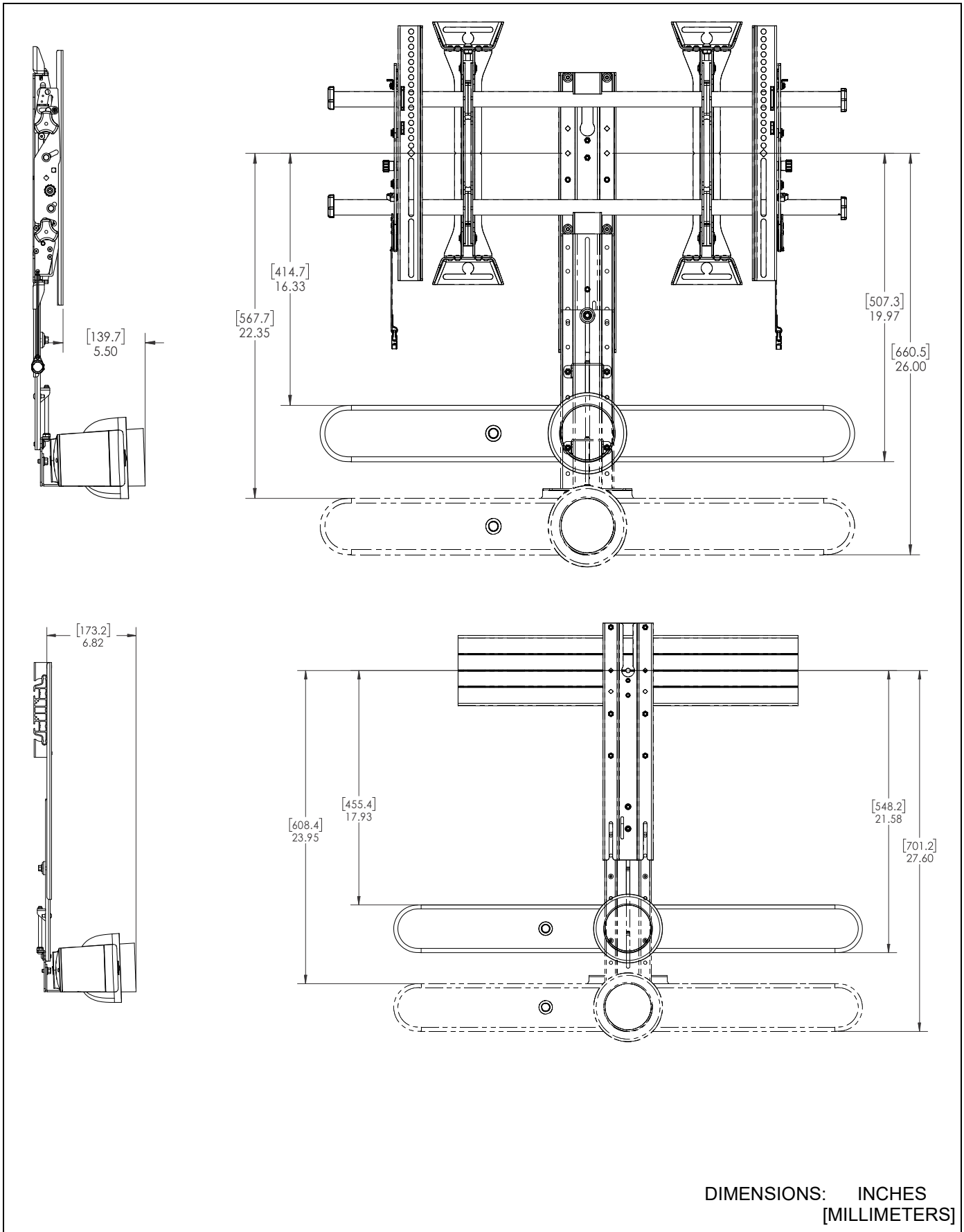
--SAVE THESE INSTRUCTIONS--

DIMENSIONS

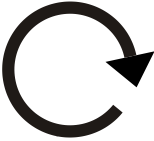

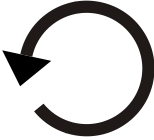





DIMENSIONS: INCHES
[MILLIMETERS]

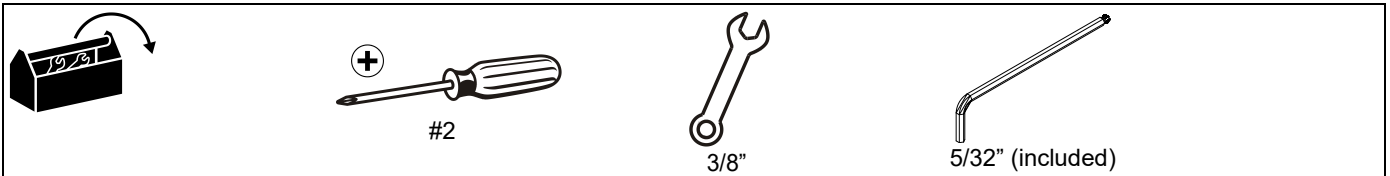
DIMENSIONS (CONTINUED)



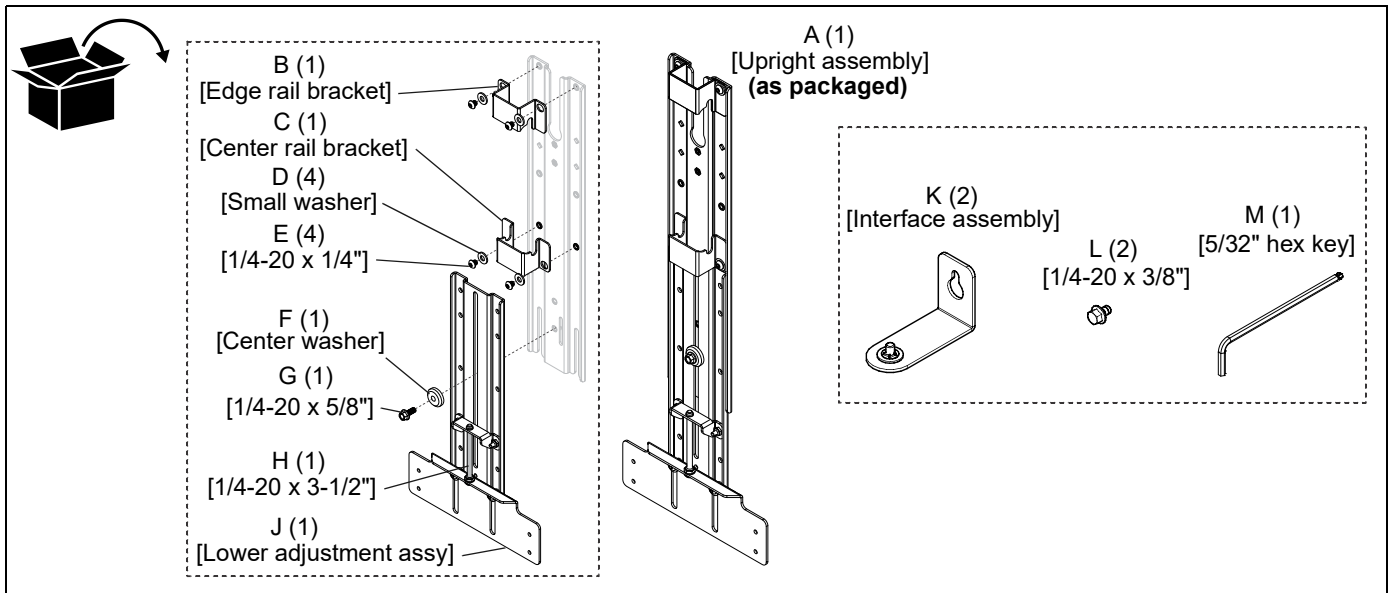
LEGEND

	<p>Tighten Fastener</p> <p>Apretar elemento de fijación</p> <p>Befestigungsteil festziehen</p> <p>Apertar fixador</p> <p>Serrare il fissaggio</p> <p>Bevestiging vastdraaien</p> <p>Serrez les fixations</p>		<p>Phillips Screwdriver</p> <p>Destornillador Phillips</p> <p>Kreuzschlitzschraubendreher</p> <p>Chave de fendas Phillips</p> <p>Cacciavite a stella</p> <p>Kruiskopschroevendraaier</p> <p>Tournevis à pointe cruciforme</p>
	<p>Loosen Fastener</p> <p>Aflojar elemento de fijación</p> <p>Befestigungsteil lösen</p> <p>Desapertar fixador</p> <p>Allentare il fissaggio</p> <p>Bevestiging losdraaien</p> <p>Desserrez les fixations</p>		<p>Open-Ended Wrench</p> <p>Llave de boca</p> <p>Gabelschlüssel</p> <p>Chave de bocas</p> <p>Chiave a punte aperte</p> <p>Steeksleutel</p> <p>Clé à fourche</p>
	<p>Hex-Head Wrench</p> <p>Llave de cabeza hexagonal</p> <p>Sechskantschlüssel</p> <p>Chave de cabeça sextavada</p> <p>Chiave esagonale</p> <p>Zeskantsleutel</p> <p>Clé à tête hexagonale</p>		<p>Optional</p> <p>Opcional</p> <p>Optional</p> <p>Opcional</p> <p>Opzionale</p> <p>Optie</p> <p>En option</p>

TOOLS REQUIRED FOR INSTALLATION



PARTS



ASSEMBLY AND INSTALLATION

Pre-Installation

1. Remove the lower adjustment assembly (H) from the upright assembly (A) and set aside. (See Figure 1)

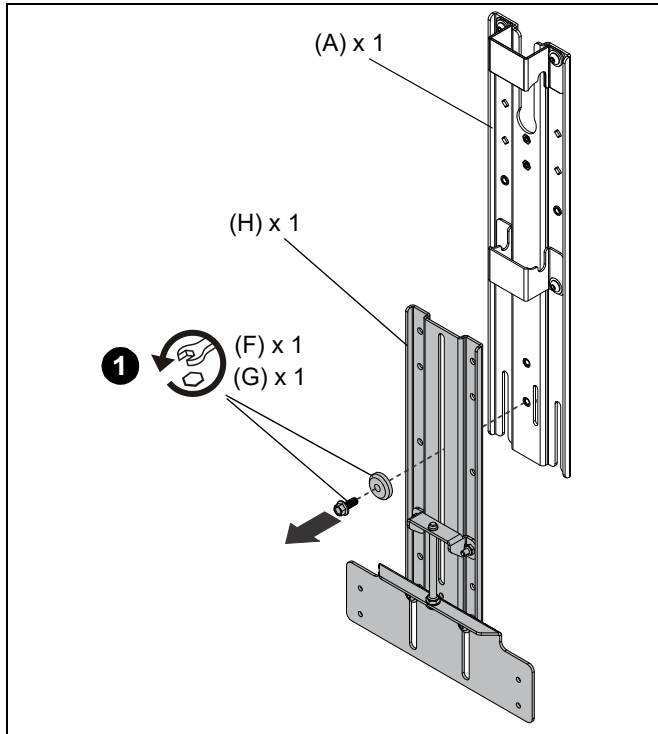


Figure 1

2. **Below monitor:** Remove the center rail bracket (C) from the lower adjustment assembly (H). (See Figure 2)
3. **Above monitor:** Remove the edge rail bracket (B) from lower adjustment assembly (H). (See Figure 2)

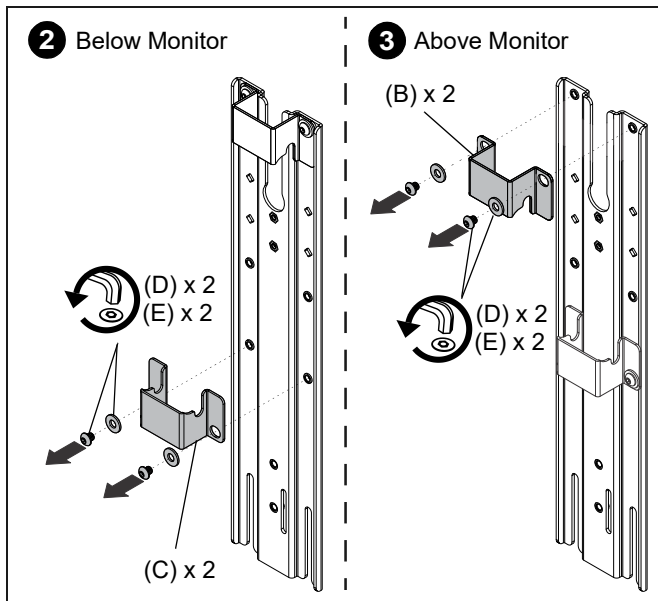


Figure 2

Below Installation

NOTE: The Rally Bar may be installed above or below displays between 55" and 84". To install above display, proceed to **Above Installation** section.

Attaching to Wall Mount

NOTE: If attaching to cart or ceiling mount, proceed to **Attach to Cart/Ceiling/Freestanding Section**.



CAUTION: Slide bracket with caution so that the bracket does not scratch or damage the wall!

1. Slide upright assembly (A) behind wall mount rails until rail bracket rests on top of wall mount rail. (See Figure 3)

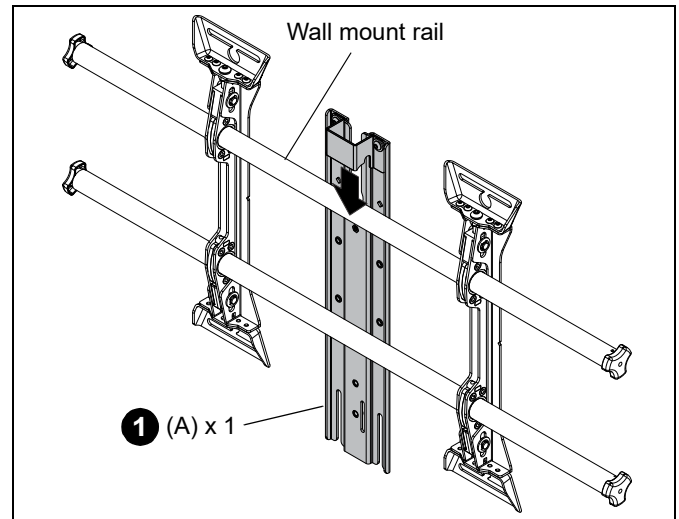


Figure 3

2. Slide center rail bracket (C) underneath lower rail on wall mount, lining up holes on rail bracket to upright assembly (B). (See Figure 4)
3. Reinstall two 1/4-20 x 1/4" button head cap screws (E) and two small washers (D) to secure center rail bracket (C) to upright assembly (A). (See Figure 4)

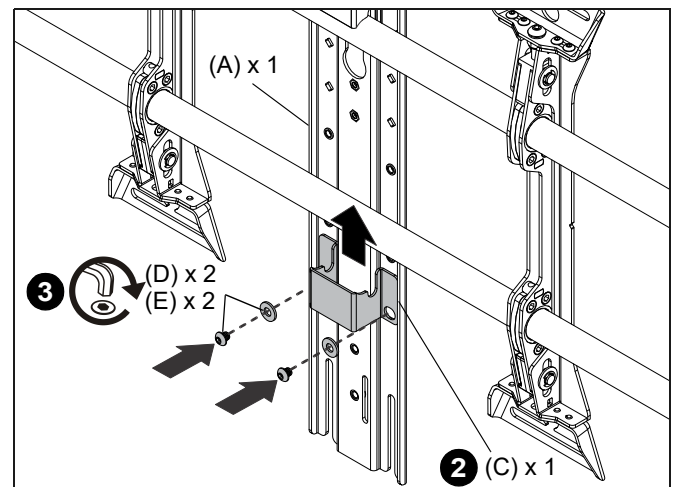


Figure 4

4. Use 1/4-20 x 5/8" hex head flange screw (G) and center washer (F) to secure lower adjustment assembly (J) to upright assembly (A).
 - **(Maximum macro extension)** Slide lower adjustment assembly (J) until top of channel stops against 1/4-20 x 5/8" screw. (See Figure 5)
 - **(Minimum macro extension)** Slide lower adjustment assembly (J) until top of bracket stops against bottom of rail bracket. (See Figure 5)

NOTE: Full macro adjustment range is 4.92". Several intermediate configurations are possible between the minimum and maximum macro positions.

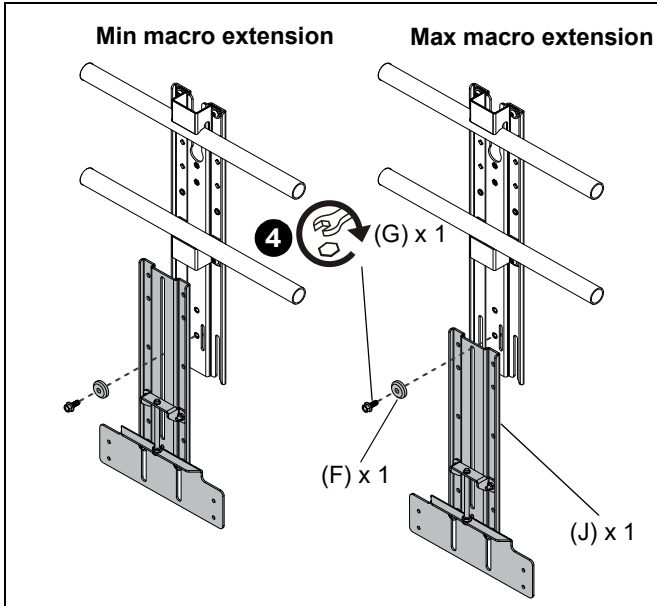


Figure 5

5. Install two interface assemblies (K) to the bottom of lower adjustment assembly (J) using two 1/4-20 x 3/8" hex head screws (L). (See Figure 6)

NOTE: Interface assemblies (K) can be installed into either set of holes in lower adjustment assembly (J).

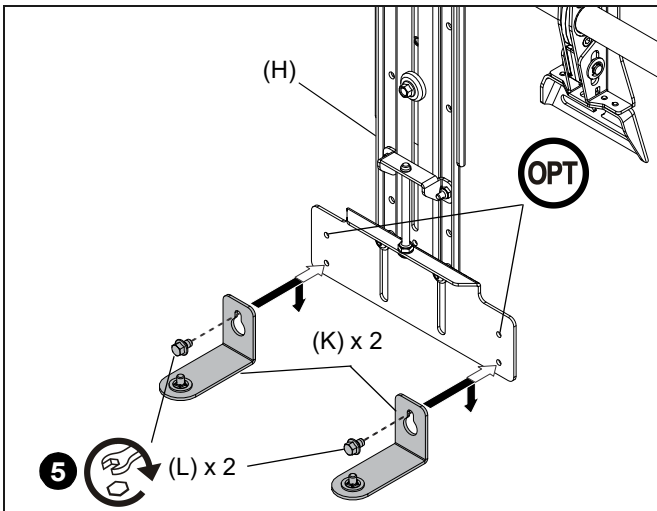


Figure 6

Attaching to Cart/Ceiling/Freestanding Mount

1. Slide upright bracket (A) onto front of cart/ceiling/freestanding mount head assembly until edge rail bracket (B) rests on top of head assembly. (See Figure 7)

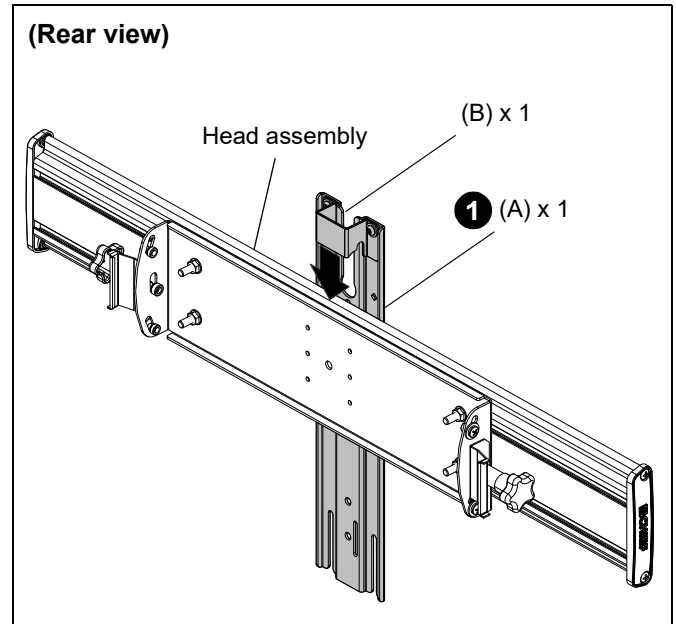


Figure 7

2. Slide center rail bracket (C) underneath head assembly, lining up holes on rail bracket to holes on upright assembly (A). (See Figure 8)
3. Reinstall two 1/4-20 x 1/4" button head cap screws (E) and two small washers (D) to secure center rail bracket (C) to upright assembly (A). (See Figure 8)

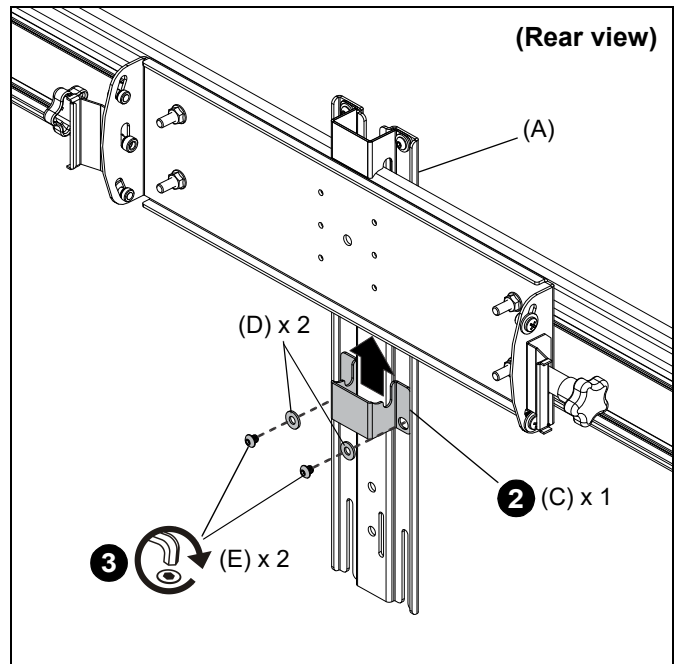


Figure 8

4. Use 1/4-20 x 5/8" hex head flange screw (F) and center washer (G) to secure lower adjustment assembly (J) to upright assembly (A).
 - **(Maximum macro extension)** Slide lower adjustment assembly (J) until top of channel stops against 1/4-20 x 5/8" screw. (See Figure 9)
 - **(Minimum macro extension)** Slide lower adjustment assembly (J) until top of bracket stops against bottom of rail bracket. (See Figure 9)

NOTE: Full macro adjustment range is 4.92". Several intermediate configurations are possible between the minimum and maximum position.

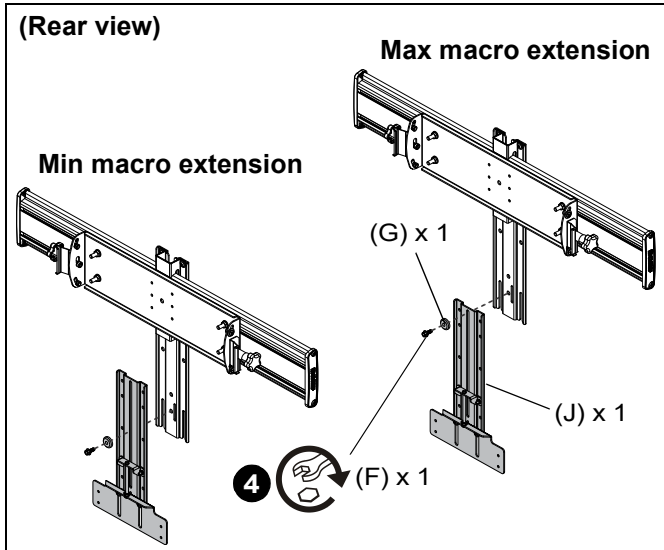


Figure 9

5. Install two interface assemblies (K) to the bottom of lower adjustment assembly (J) using two 1/4-20 x 3/8" hex head screws (L). (See Figure 10)

NOTE: Interface assemblies (K) can be installed into either set of holes in lower adjustment assembly (J).

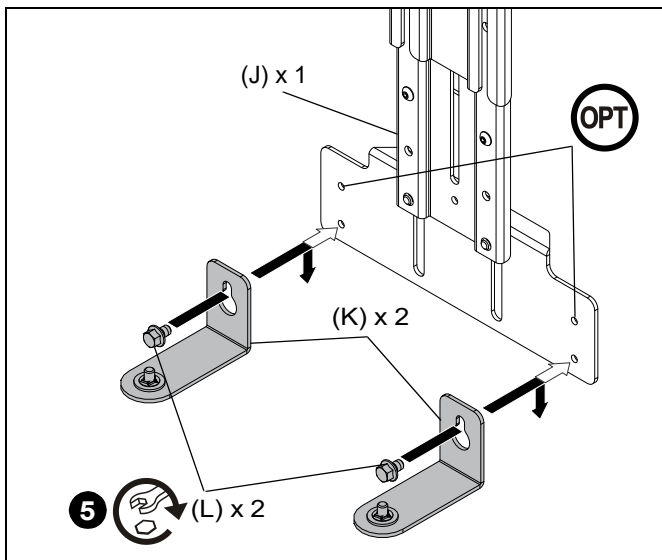


Figure 10

Above Installation

Attaching to Wall Mount



CAUTION: Slide bracket with caution so that the bracket does not scratch or damage the wall!

1. Slide upright assembly (A) behind wall mount rails until rail bracket (C) rests on top wall mount rail. (See Figure 11)

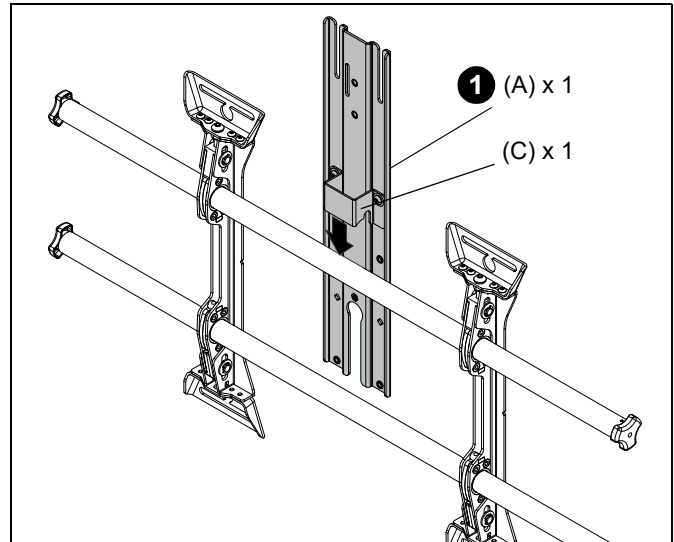


Figure 11

2. Slide edge rail bracket (B) underneath lower rail on wall mount, lining up holes on rail bracket with holes in upright assembly (A). (See Figure 12)
3. Reinstall two 1/4-20 x 1/4" button head cap screws (E) and two small washers (D) to secure edge rail bracket (B) to upright assembly (A). (See Figure 12)

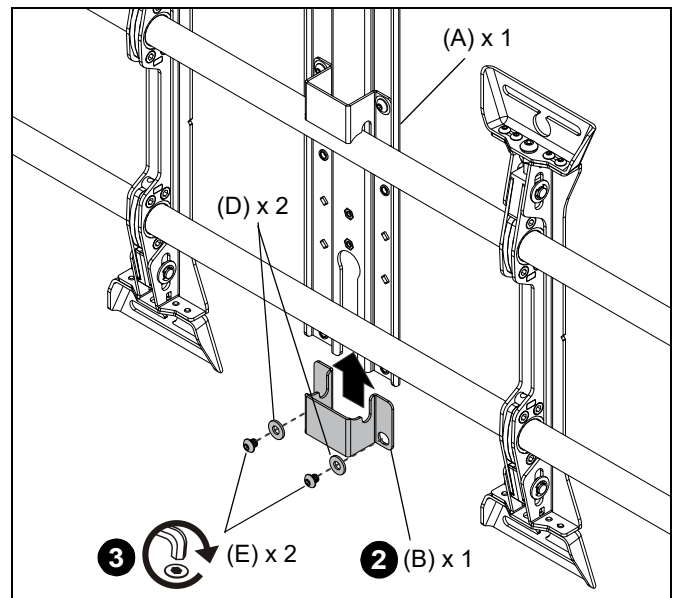


Figure 12

4. Use 1/4-20 x 5/8" hex head flange screw (G) and center washer (F) to secure lower adjustment assembly (J) to upright assembly (A).
 - **(Maximum macro extension)** Slide lower adjustment assembly until bottom of channel rests against 1/4-20 x 5/8" screw. (See Figure 13)
 - **(Minimum macro extension)** Slide lower adjustment assembly until bottom of bracket rests against top of rail bracket. (See Figure 13)

NOTE: Full macro adjustment range is 4.92". Several intermediate configurations are possible between the minimum and maximum positions.

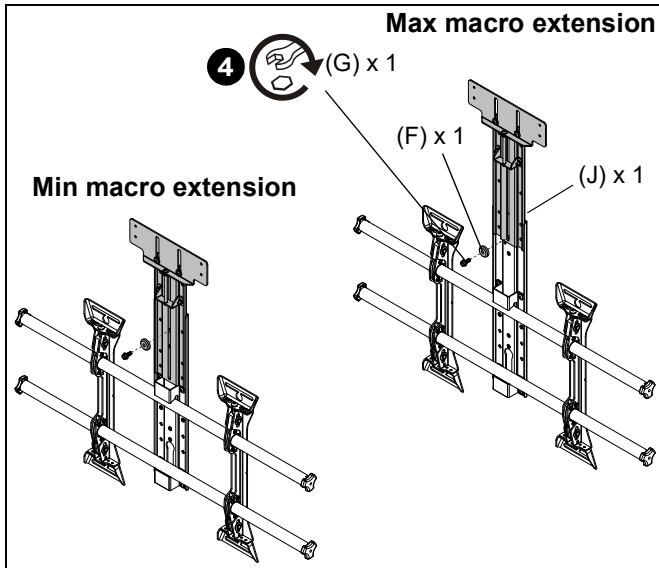


Figure 13

5. Install two interface brackets (K) to the lower adjustment assembly using two 1/4-20 x 3/8" hex head screws (L). (See Figure 14)

NOTE: Interface assemblies (K) can be installed into either set of holes in lower adjustment assembly (J).

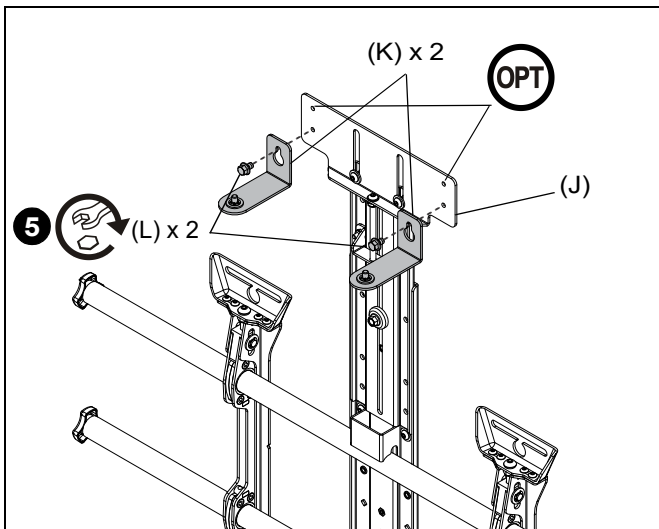


Figure 14

Attaching to Cart/Ceiling/Freestanding Mount

1. Slide upright assembly (A) onto front of cart/ceiling/freestanding mount head assembly until center rail bracket (C) rests on top of head assembly. (See Figure 15)

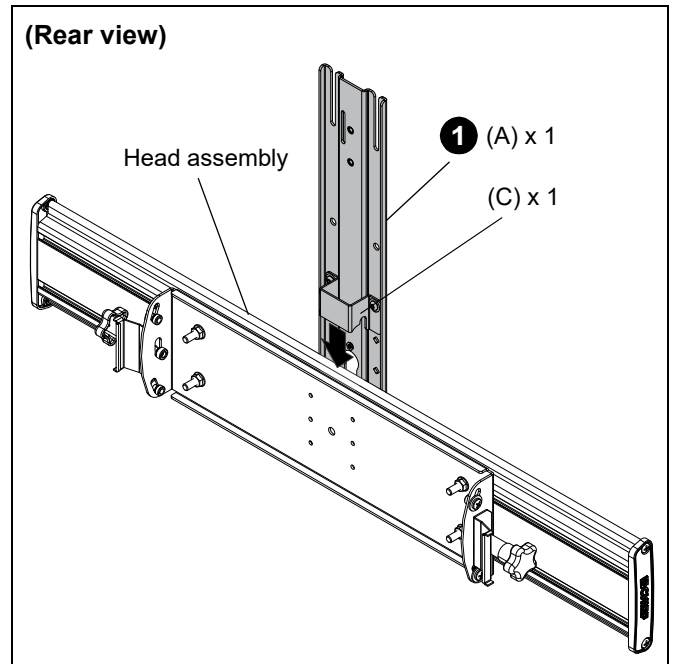


Figure 15

2. Slide edge rail bracket (B) underneath head assembly, lining up holes on edge bracket to holes on upright assembly (A). (See Figure 16)
3. Use two 1/4-20 x 1/4" button head cap screws (E) and two small washers (D) to secure edge rail bracket (B) to upright assembly (A). (See Figure 16)

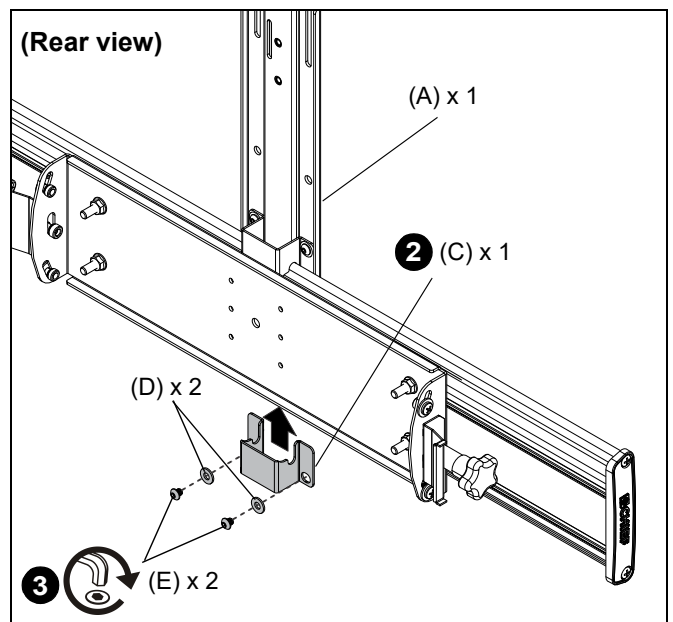


Figure 16

4. Use 1/4-20 x 5/8" hex head flange screw (G) and center washer (F) to secure lower adjustment assembly (J) to upright assembly (A).
 - **(Maximum macro extension)** Slide lower adjustment assembly (J) until bottom of channel rests against 1/4-20 x 5/8" screw. (See Figure 17)
 - **(Minimum macro extension)** Slide lower adjustment assembly (J) until bottom of bracket rests against top of rail bracket. (See Figure 17)

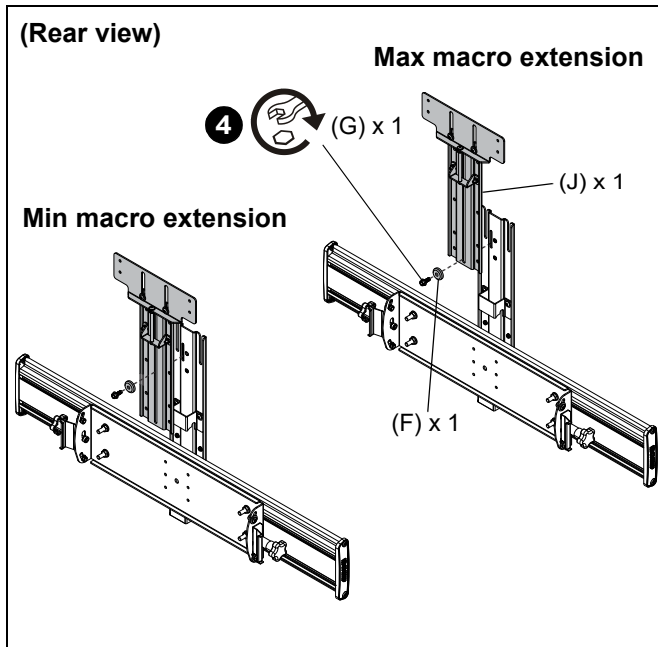


Figure 17

NOTE: Full macro adjustment range is 4.92". Several intermediate configurations are possible between the minimum and maximum positions.

5. Install two interface assemblies (K) to the lower adjustment assembly (J) using two 1/4-20 x 3/8" hex head screws (L). (See Figure 18)

NOTE: Interface assemblies (K) can be installed into either set of holes in lower adjustment assembly (J).

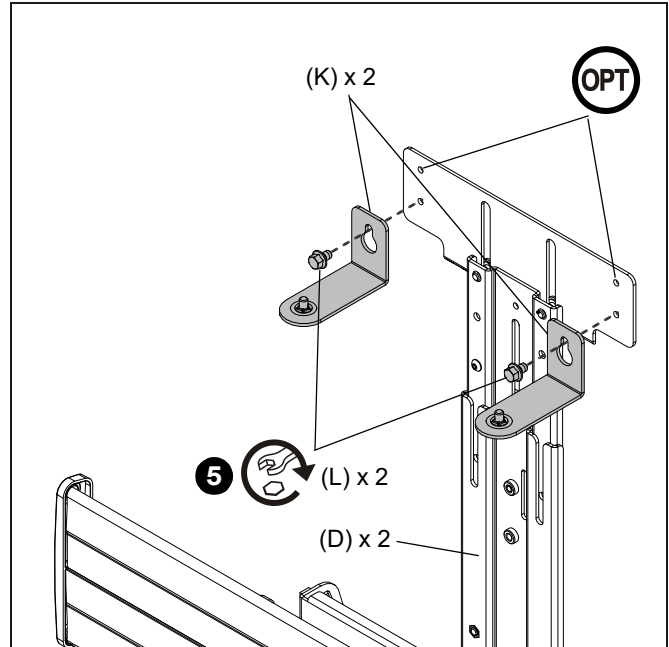


Figure 18

Installing Camera (not included)

WARNING: Exceeding the weight capacity can result in serious personal injury or damage to equipment! It is the installer's responsibility to make sure the combined weight mounted on the FCALRB1 does not exceed 20 lbs (9.1 kg).

WARNING: Failure to securely mount camera may result in serious personal injury or damage to equipment!

1. Place Rally Bar/Rally Bar Mini camera over interface assemblies (K) and thread screws into base of camera. (See Figure 19)

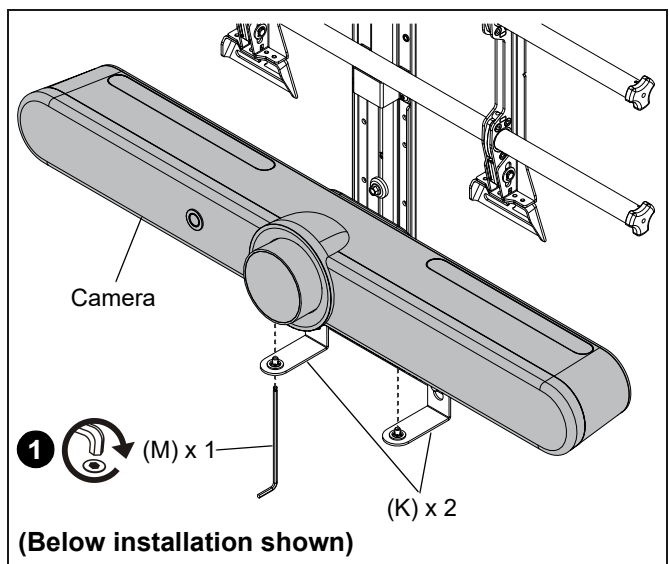


Figure 19

Alternative Camera Installation Method

NOTE: The interface assemblies (K) can be installed to the camera prior to being installed to the lower adjustment assembly if desired.

1. Remove interface assemblies (K) from lower adjustment assembly (J) and install to underside of Rally Bar camera.

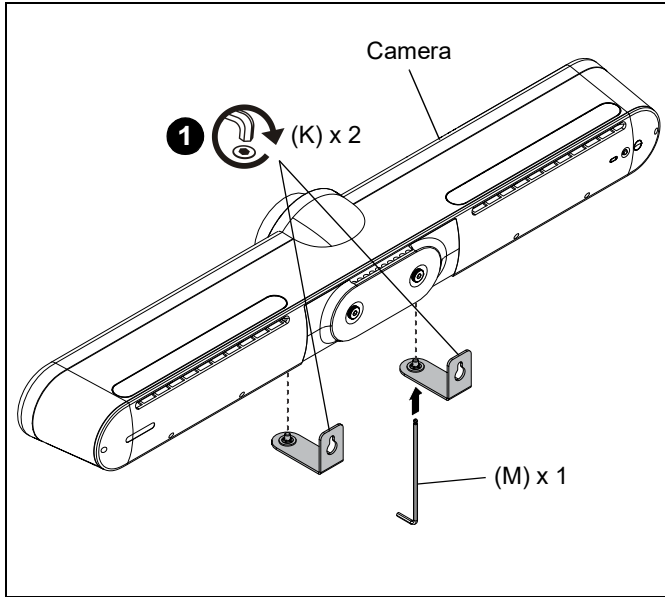


Figure 20

2. Reinstall two 1/4-20 x 3/8" hex head screws (L) to lower holes in lower adjustment assembly (J) leaving approximately 1/8" of the threads exposed. (See Figure 21)
3. Hang interface brackets (K) on camera onto exposed screws on lower adjustment assembly (H).
4. Tighten both 1/4-20 x 3/8" hex head screws (L) to secure camera to lower adjustment assembly (J). (See Figure 21)

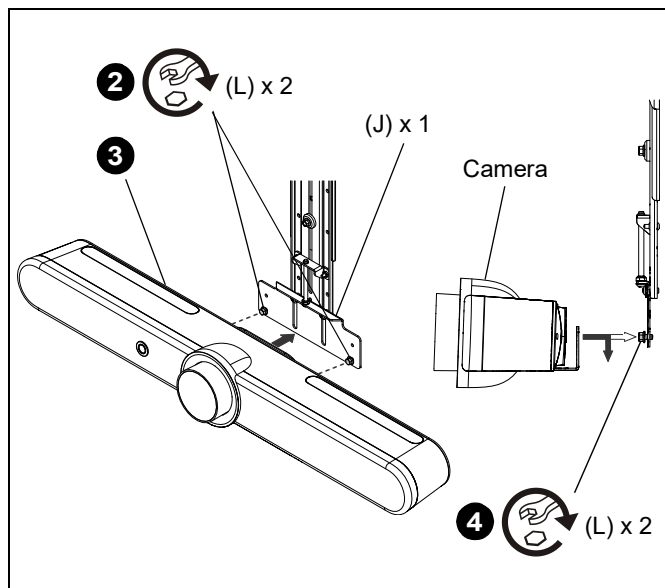


Figure 21

Micro Adjustment

IMPORTANT ! : Make sure all macro adjustments have been made prior to making micro adjustments. Full adjustment range is 4.92" macro adjustment and 2.23" micro adjustment.

1. Use the 1/4-20 x 3-1/2" button head cap screw (H) on the lower adjustment assembly (J) to adjust the level of the interface assemblies (K) up or down.
 - **Tighten** 1/4-20 x 3-1/2" button head cap screw (H) to raise interface assemblies (K).
 - **Loosen** 1/4-20 x 3-1/2" button head cap screw (H) to lower interface assemblies (K).

NOTE: Micro adjustments can be made with or without the camera installed to the upright assembly.

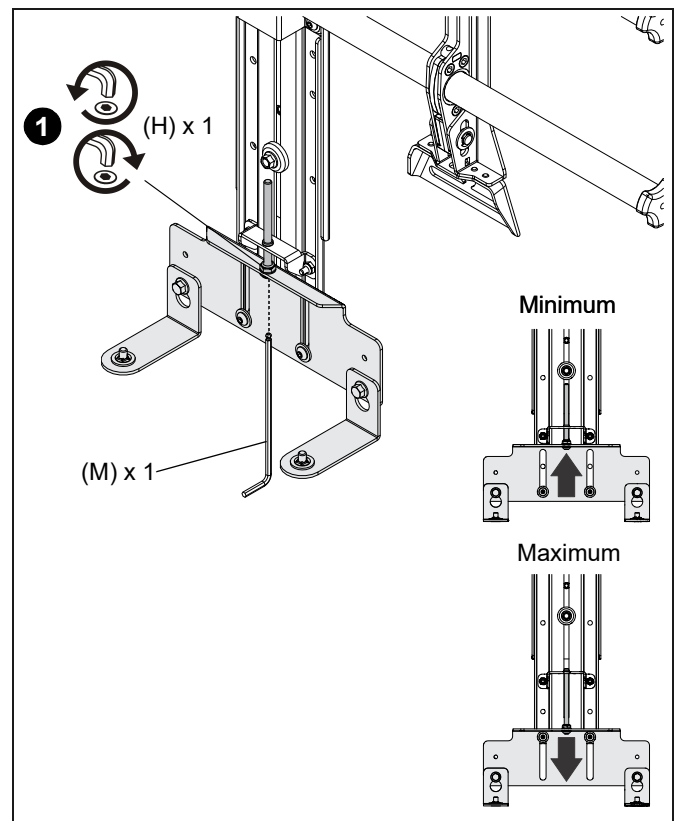


Figure 22

CHIEF®

A brand of  **legrand**

8800-003387 Rev00
©2023 Legrand | AV
www.legrandav.com
05/2023

USA/International	A 6436 City West Parkway, Eden Prairie, MN 55344 P 800.582.6480 / 952.225.6000 F 877.894.6918 / 952.894.6918
Europe	A Franklinstraat 14, 6003 DK Weert, Netherlands P +31 (0) 495 580 852 F +31 (0) 495 580 845
Asia Pacific	A Office No. 918 on 9/F, Shatin Galleria 18-24 Shan Mei Street Fotan, Shatin, Hong Kong P 852 2145 4099 F 852 2145 4477

