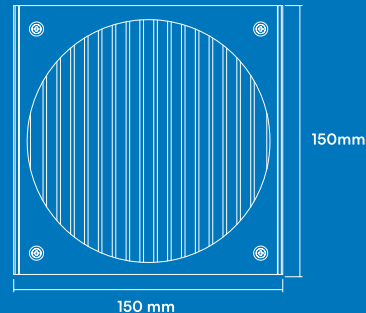


# Ion Gold User guide

Anwenderleitfaden / Guide de l'utilisateur /  
Guía del usuario / Användarguide /  
Руководство пользователя / ユーザーガイド /  
用户指导 / 使用者指南







For more information and product specifications, visit  
[fractal-design.com](http://fractal-design.com)

Introduction

General  
Specification

Connectors & Outputs

Connectors  
Outputs

Safety Information,  
Installation & Troubleshooting,  
Support

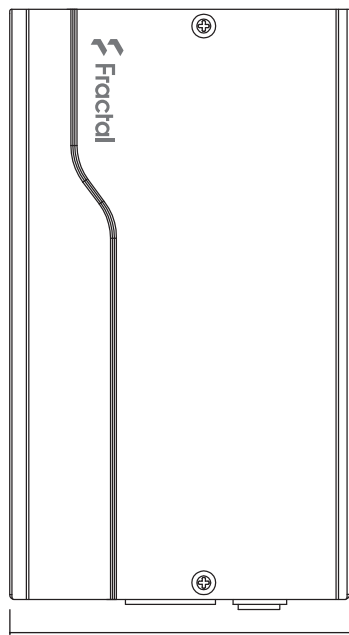
EN  
DE  
FR  
ES  
JP  
TC  
SC  
SE  
RU  
CZ  
RO  
BG  
HU  
HR  
IT  
PT  
KO  
TR  
RS  
PL

# General Specification

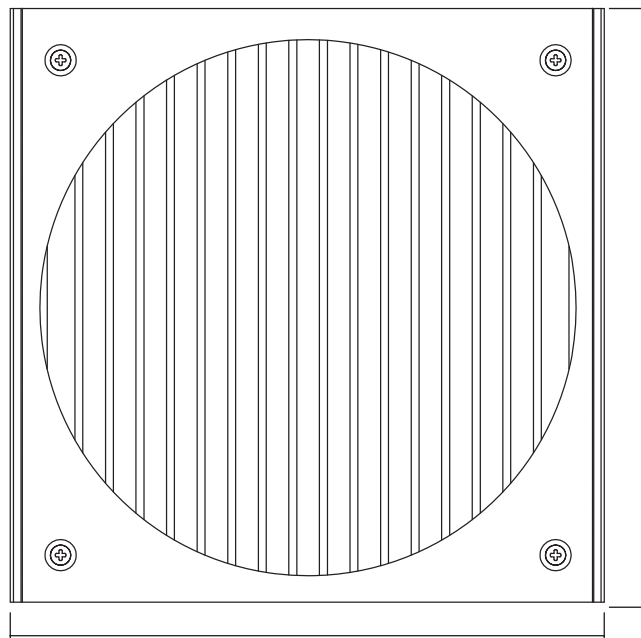
Allgemeine Spezifikation / Spécification générale / Especificaciones generales / Allmän specifikation / Общая спецификация / 一般仕様 / 一般规格 / 一般規格

|   |  |
|---|--|
| Life expectancy (MTBF) at maximum output load | 100 000 hours  |
| Power factor correction (PFC)                 | Active   |
| Fan type                                      | Dynamic X2 GP-14 Power Supply Edition  |
| Operating temperature                         | 0°C – 40°C, up to 50°C at 80% of full load   |
| Operating humidity                            | 20% - 90%  |
| Protected against                             | Over power<br>Over voltage<br>Under voltage<br>Short circuit<br>Over current<br>Over temperature |
| Efficiency                                    | 80PLUS® Gold Certified   |
| Standby power consumption                     | ErP 2013 (<0.45W @ 230 VAC, 45mA load on +5Vsb)  |





86 mm

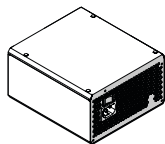


150 mm

150mm

# Package Contents

Packungsinhalt / Contenu de l'emballage / Contenido de la caja / Förpackningsinnehåll / Комплект поставки / パッケージ内容 / 包装内容 / 包装内容



Power supply / Netzteil / Alimentation électrique / Fuente de alimentación /  
Nättaggregat / Источник питания / 電源 / 电源 / 電源



Modular cable kit / Modulares Kabelset / Kit de câble modulaire /  
Kit de cableado modular / Modulärkablage /  
Комплект отстегивающихся кабелей / モジュール式ケーブルキット /  
模块化电缆套件 / 模組化纜線套件



User guide (this booklet) / Benutzerleitfaden (diese Broschüre) /  
Guide de l'utilisateur (ce livret) / Guía del usuario (este folleto) /  
Användarguide (denna broschyr) / Руководство пользователя (этот буклет) /  
ユーザーガイド (本ドキュメント) /  
用户指南 (本手册) / 使用者指南 (本手册)



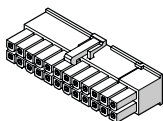
AC Power Cord (localized) / AC-Stromkabel (lokalisiert) /  
Cordon d'alimentation CA (localisé) / Cable de alimentación de CA (localizado) /  
Ström kabel (lokalitetsanpassad) /  
Шнур питания перем. тока (локализованный) /  
AC電源コード(地域別) / 交流电源线 (本地化) / AC 電源線 (本地化)



Velcro cable ties and mounting screw pack /  
Klettbandverschlüsse und Montageschrauben-Set /  
Attaches de câble velcro et paquet de vis de montage /  
Sujetacables de velcro y paquete de tornillos de montaje /  
Kardborreband och monteringskruvar /  
Кабельные стяжки на липучках и комплект монтажных винтов /  
マジックテープ製のケーブルタイと取付ネジのパック /  
Velcro 电缆扎带和安装螺丝包 / Velcro 纜線紮帶和安裝螺絲包

# DC Connectors and Pinout

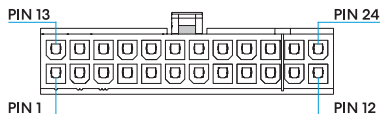
DC Stecker und Pins / Connecteurs CC et brochage / Conectores de CC y disposición de las patillas / Likströmskablar och anslutningsschema / Разъемы постоянного тока и схема расположения выводов / DCコネクタとピン出力 / 直流连接器 and 引脚排列 / DC 连接器 and 引脚排列



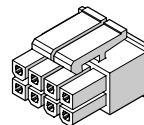
## ATX 24-pin [20+4]

Provides power to the motherboard – can be split into 20-pin and 4-pin connectors, for compatibility with older ATX motherboards.

**WARNING:** Do not use the 4-pin connector of this cable as an ATX 12V 4-pin connector – they are incompatible.



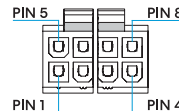
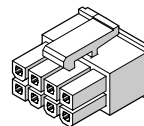
| Pin | Signal   | Pin | Signal       |
|-----|----------|-----|--------------|
| 1   | +3.3 VDC | 13  | +3.3 VDC     |
| 2   | +3.3 VDC | 14  | -12 VDC      |
| 3   | COM      | 15  | COM          |
| 4   | +5 VDC   | 16  | PS_ON        |
| 5   | COM      | 17  | COM          |
| 6   | +5 VDC   | 18  | COM          |
| 7   | COM      | 19  | COM          |
| 8   | PWR OK   | 20  | Reserved N/C |
| 9   | +5 VSB   | 21  | +5 VDC       |
| 10  | +12 VDC  | 22  | +5 VDC       |
| 11  | +12 VDC  | 23  | +5 VDC       |
| 12  | +3.3 VDC | 24  | COM          |



## ATX12V [4+4] / EPS12V 8-pin [8]

Provides power to modern CPUs – can be split into two 4-pin connectors, for compatibility with older motherboards and systems with limited power consumption.

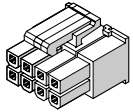
**Note:** Some motherboards, typically dual processor systems, may require a secondary 12V connector – refer to the motherboard manual for details and connector locations.



| Pin | Signal | Pin | Signal  |
|-----|--------|-----|---------|
| 1   | COM    | 5   | +12 VDC |
| 2   | COM    | 6   | +12 VDC |
| 3   | COM    | 7   | +12 VDC |
| 4   | COM    | 8   | +12 VDC |

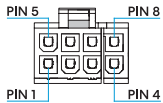
# DC Connectors and Pinout

DC Stecker und Pins / Connecteurs CC et brochage / Conectores de CC y disposición de las patillas / Likströmskablar och anslutningsschema / Разъемы постоянного тока и схема расположения выводов / DCコネクタとピン出力 / 直流连接器 and 引脚排列 / DC 连接器 and 引脚排列

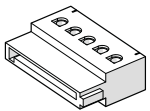


## PCI-E 8-pin [6+2]

Provides power to high-performance graphics cards – can be split into 6-pin and 2-pin connectors for use with graphics cards that require 6-pin connectors, or used together for graphics cards that require 8-pin connectors.



| Pin | Signal  | Pin | Signal |
|-----|---------|-----|--------|
| 1   | +12 VDC | 5   | COM    |
| 2   | +12 VDC | 6   | COM    |
| 3   | +12 VDC | 7   | COM    |
| 4   | COM     | 8   | COM    |

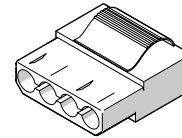


## SATA

Provides power to modern hard drives, optical drives and other devices that require a SATA power cable.

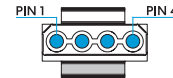


| Pin | Signal   |
|-----|----------|
| 1   | +3.3 VDC |
| 2   | COM      |
| 3   | +5 VDC   |
| 4   | COM      |
| 5   | +12 VDC  |



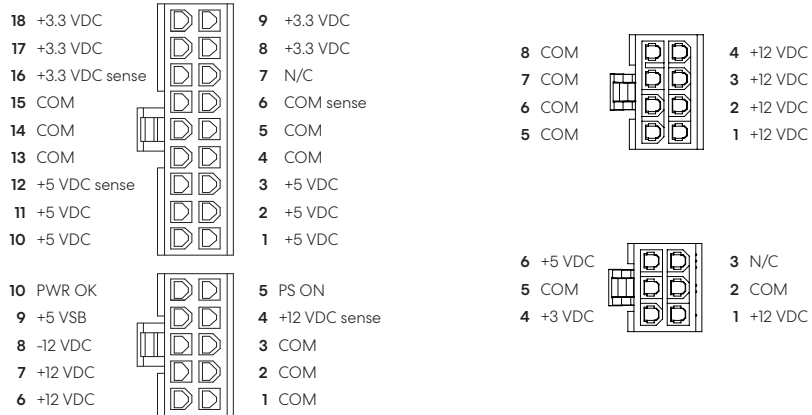
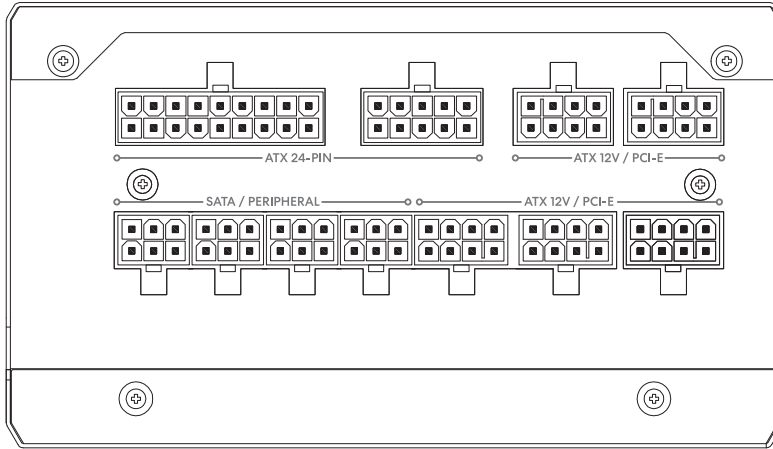
## Peripheral

Provides power to older hard drives, optical drives and other non-SATA devices.



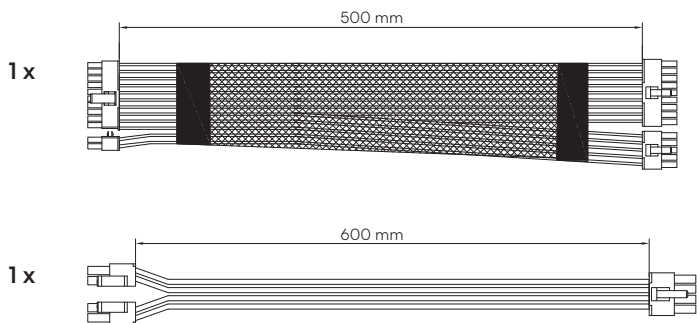
| Pin | Signal  |
|-----|---------|
| 1   | +12 VDC |
| 2   | COM     |
| 3   | COM     |
| 4   | +5 VDC  |





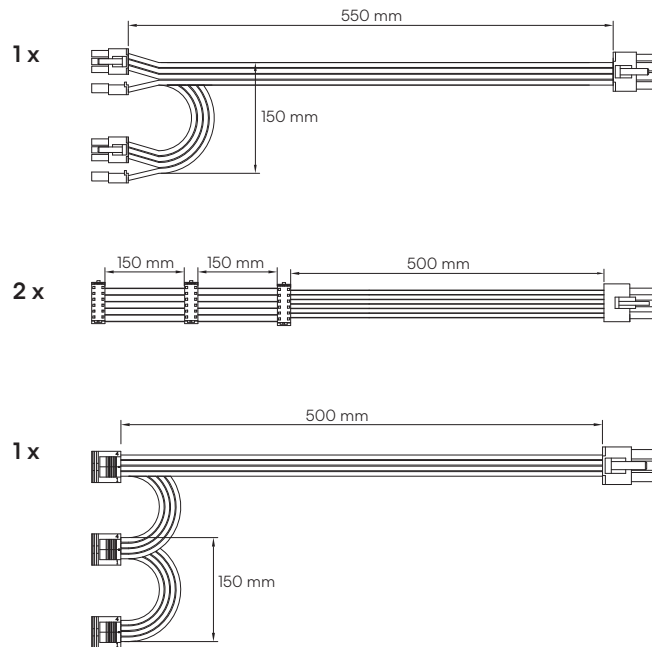
# Ion Gold 550W

## Cable Specification



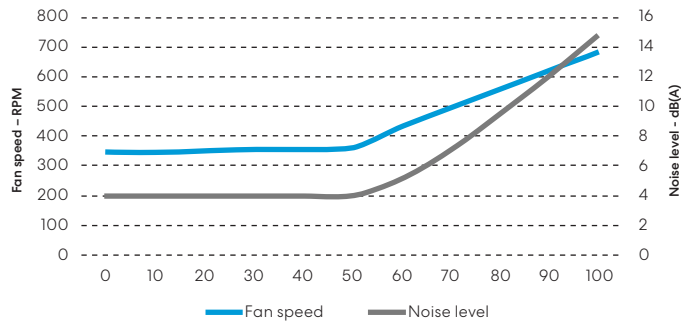
## Power Specification

| AC INPUT  | 交流电输入  | 交流電輸入  | AC 입력    | 100-240V AC, 10-5A, 50-60 Hz |      |       |      |       |
|-----------|--------|--------|----------|------------------------------|------|-------|------|-------|
| DC OUTPUT | 直流输出   | 直流出力   | DC 출력    | +3.3V                        | +5V  | +12V  | -12V | +5Vsb |
| MAX. A    | 最大输出电流 | 最大輸出電流 | 최대 출력 전류 | 20A                          | 20A  | 45.8A | 0.3A | 3A    |
| COMBINED  | 最大功率   | 最大功率   | 최대 출력    | 110W                         | 550W | 3.6W  | 15W  |       |
| TOTAL     | 总输出功率  | 總輸出功率  | 총 출력     | 550W                         |      |       |      |       |

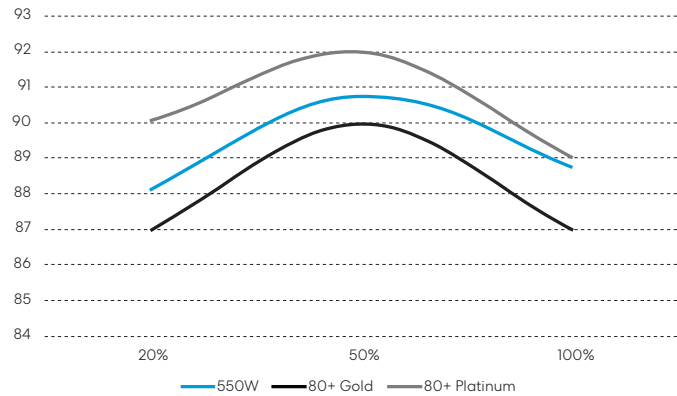


### Fan speed and noise level

Ion Gold 550W (115V input, 25°C ambient temperature)

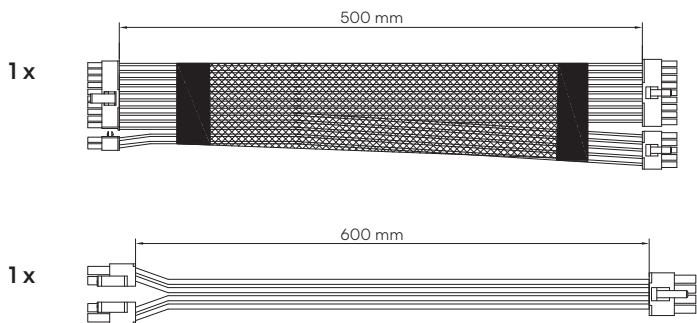


### Efficiency



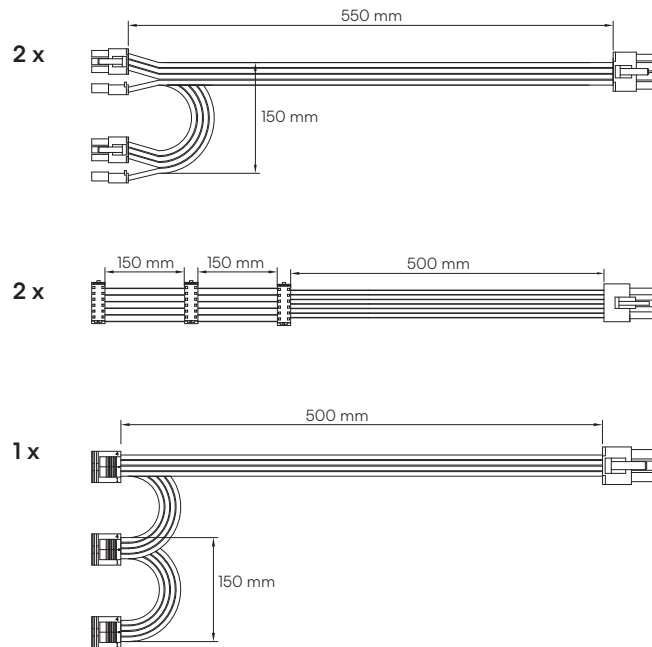
# Ion Gold 650W

## Cable Specification



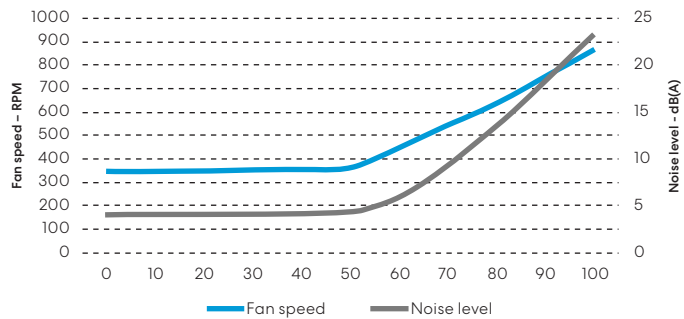
## Power Specification

| AC INPUT  | 交流电输入  | 交流電輸入  | AC 입력    | 100-240V AC, 10-5A, 50-60 Hz |      |       |      |       |
|-----------|--------|--------|----------|------------------------------|------|-------|------|-------|
| DC OUTPUT | 直流输出   | 直流出力   | DC 출력    | +3.3V                        | +5V  | +12V  | -12V | +5Vsb |
| MAX. A    | 最大输出电流 | 最大輸出電流 | 최대 출력 전류 | 20A                          | 20A  | 54.1A | 0.3A | 3A    |
| COMBINED  | 最大功率   | 最大功率   | 최대 출력    | 110W                         | 650W | 3.6W  | 15W  |       |
| TOTAL     | 总输出功率  | 總輸出功率  | 총 출력     | 650W                         |      |       |      |       |

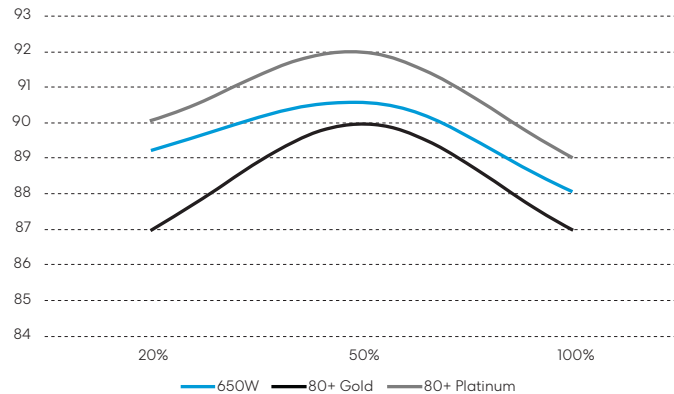


### Fan speed and noise level

Ion Gold 650W (115V input, 25°C ambient temperature)

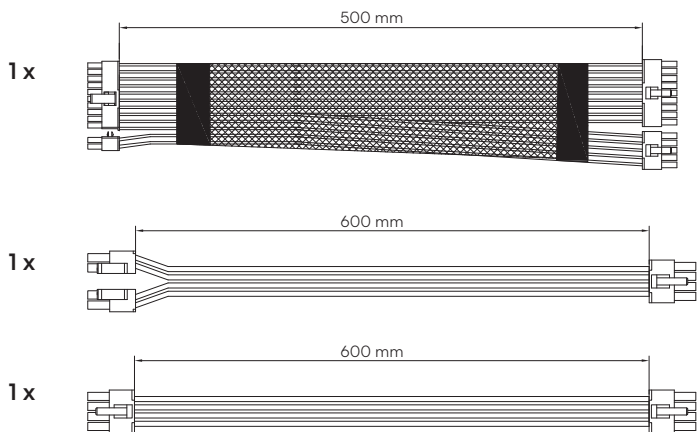


### Efficiency



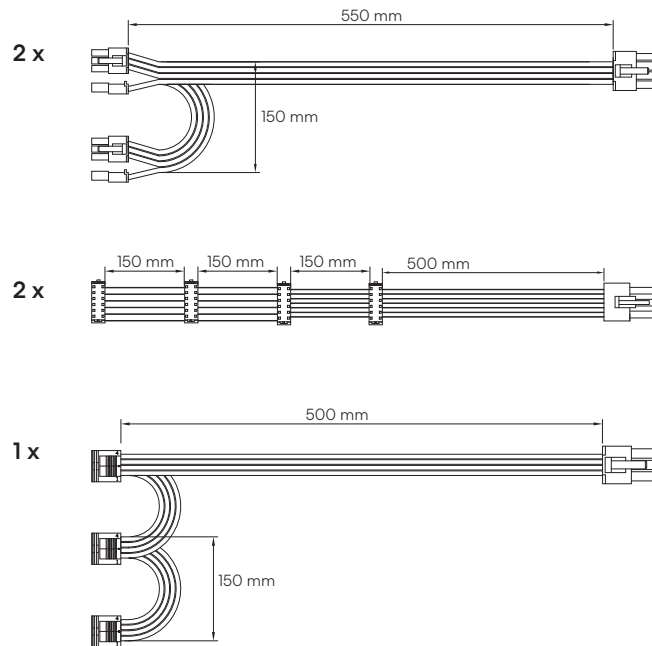
# Ion Gold 750W

## Cable Specification



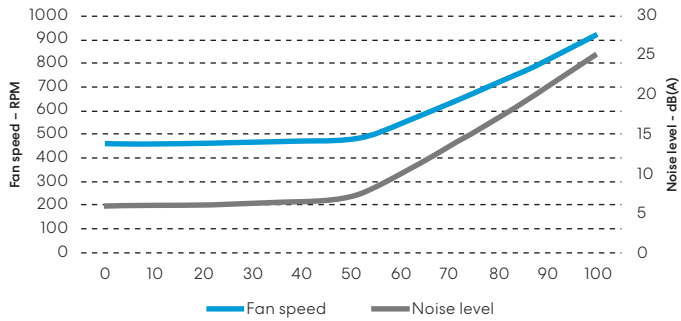
## Power Specification

| AC INPUT  | 交流电输入  | 交流電輸入  | AC 입력    | 100-240V AC, 10-5A, 50-60 Hz |      |       |      |       |
|-----------|--------|--------|----------|------------------------------|------|-------|------|-------|
| DC OUTPUT | 直流输出   | 直流通출   | DC 출력    | +3.3V                        | +5V  | +12V  | -12V | +5Vsb |
| MAX. A    | 最大输出电流 | 最大輸出電流 | 최대 출력 전류 | 22A                          | 22A  | 62.5A | 0.3A | 3A    |
| COMBINED  | 最大功率   | 最大功率   | 최대 출력    | 120W                         | 750W | 3.6W  | 15W  |       |
| TOTAL     | 总输出功率  | 總輸出功率  | 총 출력     | 750W                         |      |       |      |       |

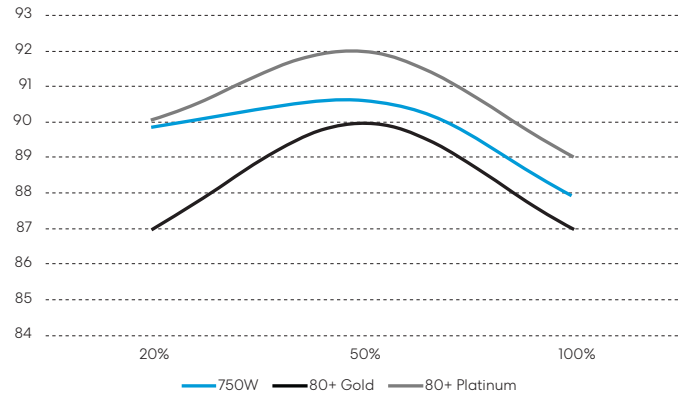


### Fan speed and noise level

Ion Gold 750W (115V input, 25°C ambient temperature)

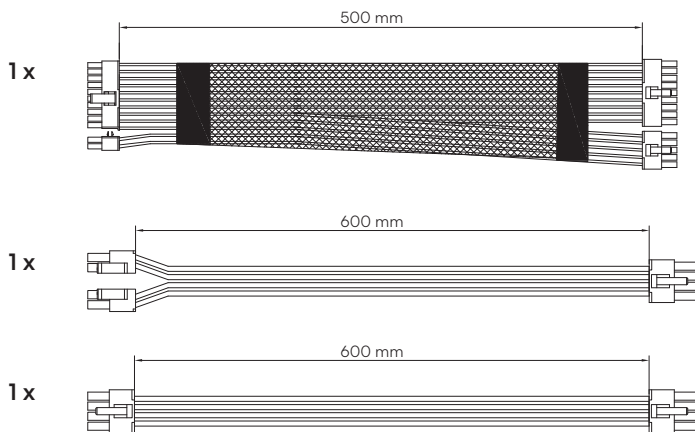


### Efficiency



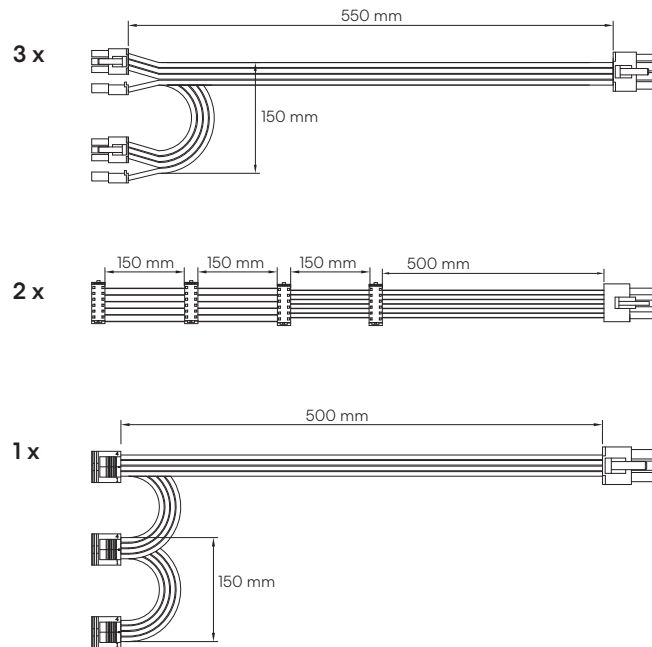
# Ion Gold 850W

## Cable Specification



## Power Specification

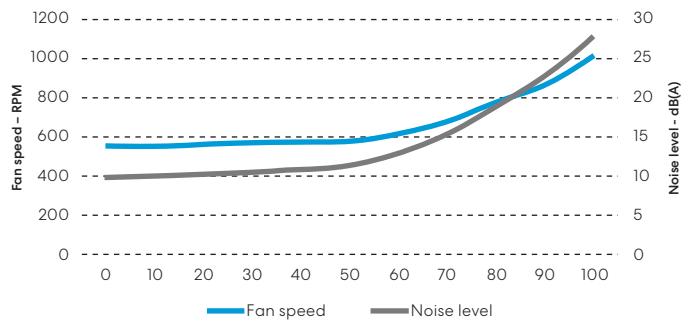
| AC INPUT  | 交流电输入  | 交流電輸入  | AC 입력    | 100-240V AC, 10-5A, 50-60 Hz |      |       |      |       |
|-----------|--------|--------|----------|------------------------------|------|-------|------|-------|
| DC OUTPUT | 直流输出   | 直流通출   | DC 출력    | +3.3V                        | +5V  | +12V  | -12V | +5Vsb |
| MAX. A    | 最大输出电流 | 最大輸出電流 | 최대 출력 전류 | 22A                          | 22A  | 70.8A | 0.3A | 3A    |
| COMBINED  | 最大功率   | 最大功率   | 최대 출력    | 120W                         | 850W | 3.6W  | 15W  |       |
| TOTAL     | 总输出功率  | 總輸出功率  | 총 출력     | 850W                         |      |       |      |       |



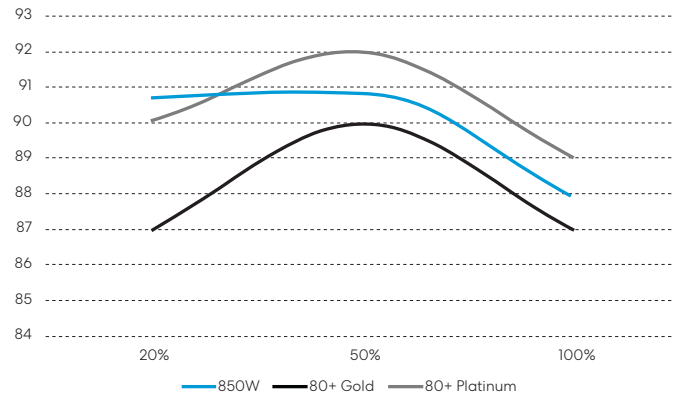


## Fan speed and noise level

Ion Gold 850W (115V input, 25°C ambient temperature)



## Efficiency



## Safety Information

The following information is provided for personal safety, component safety and the correct operation of the PSU:

- Never open the PSU enclosure. The unit can discharge hazardous voltages and there are no user-serviceable components inside.
- Only operate the PSU in safe and dry environments.
- Never insert objects into the fan grille or the open ventilation areas of the PSU.
- Do not modify PSU cables and/or connectors.
- Do not force the connectors. Each connector is shaped to only fit when inserted into the correct socket. Using excessive force to insert a connector into an incompatible socket will cause damage to both the PSU and the attached device.

## Installation

If replacing an existing power supply, continue with Section A; if not, skip to Section B.

### Part A: Removing the existing PSU

1. Disconnect the power cord from the computer and power outlet.
2. Open the computer case and disconnect the power cables from all devices.
3. Remove the existing PSU from the case.
4. Continue with Section B.

### Part B: Installing the new Fractal Design PSU

Do not connect the AC power cord to the new PSU before completing steps 1 through 5.

1. Mount the PSU in the computer case – refer to the case manual for further instructions.
2. Connect the ATX 24-pin cable to the motherboard.
3. Connect the ATX12V cable(s) to the CPU.
4. Connect all other devices such as graphics cards and storage devices using the appropriate modular power cable(s).
5. Connect all modular power cables to the PSU using the appropriately labeled connectors with the matching number of pins.

**Note:** Only use the included cables or cables explicitly approved for use with your PSU. Mixing cables or forcing connectors into incompatible sockets may result in permanent damage.

6. Close the computer case.
7. Connect the AC power cord and switch the button on the back of the PSU to the ON position.

Congratulations! You have successfully installed your new PSU.

The PSU is now in standby mode and ready to power on via motherboard control.

## Troubleshooting

### Computer does not start

First, open the computer case and check if the standby LED on the motherboard is lit.

**Note:** The LED can be in various shapes and in different positions on the motherboard – refer to the motherboard manual for more details.

#### Motherboard LED is ON

In this case, the PSU is supplying the motherboard with standby power. Several common issues can cause it not to turn on. Please check the following before returning the PSU to the reseller:

1. Ensure that the ATX12V cable(s) are connected correctly – consult the motherboard manual for more details.
2. Ensure that the case's power button cable is correctly connected to the motherboard – consult the motherboard manual for more details.  
*As a test, connect the two "Power Button" pins on the motherboard to the reset button cable from the case, then push the reset button. This will confirm whether or not the case's power button is working correctly.*
3. Disconnect all non-essential devices. Leave the PSU, system memory (RAM), CPU and CPU-cooler connected to the motherboard.  
If the computer starts in this configuration, reconnect the other components one by one to identify the faulty device.
4. If possible, connect the PSU to a different PC or hardware set to confirm whether the problem persists.

#### Motherboard LED is OFF

In this case, the motherboard may be faulty or not receiving standby power from the PSU. Please check the following before assuming that the PSU is faulty and returning it to the reseller:

1. Ensure that the main power cord is connected to both the PSU and to a live power source. Check the power outlet with another electric device, such as a lamp, to ensure that it provides power.
2. Ensure that the switch on the back of the PSU is in the ON position (marked "I").
3. Disconnect and reconnect the ATX power cables attached to the motherboard.
4. If possible, connect the PSU to a different motherboard to try and confirm whether the PSU or the motherboard is faulty.

#### Computer powers on but then immediately turns off

Refer to the same troubleshooting steps as for the "Motherboard LED is ON" section above.

## Power supply is noisy

All Fractal Design power supplies have been developed with low noise levels as a high priority. PSUs are typically never completely silent, however PSU noise should be barely perceptible with the computer case closed.

### Mechanical noise / Fan noise

Fans generally get louder with time and wear, and this is not typically cause for a warranty claim. However, if the fan is excessively noisy on a brand-new power supply, please contact the reseller.

**Note:** *Over time dust can accumulate on the fan grille and produce excessive noise - clear the accumulation using a can of compressed air.*

### Electrical noise / humming / coil whine

Typically, electrical noise is caused by the sum of interference from interactions between several components, such as between the power supply and the VRM modules on a graphics card. However, this noise may occur only at certain load combinations and can often be mitigated by making slight changes to the power load.

Please try altering the following settings before returning your power supply to your reseller:

- Power saving features of the CPU and motherboard, such as C1E (Enhanced Halt State) and EIST (Enhanced Intel SpeedStep® Technology) – refer to the motherboard manual for more details on which features the motherboard supports and how to change their settings.
- Graphics card driver options, including the “vsync” option – refer to the graphics card manual for instructions on how to change these settings.

If the noise level is not reduced after adjusting power load settings, Fractal Design considers loud electrical noise an acceptable cause for a warranty claim.

## Limited Warranty and Limitation of Liability

This product is guaranteed for **84 months** from the date of delivery to end-user, against defects in materials and/or workmanship. Within this limited warranty period, the product will either be repaired or replaced at Fractal Design’s discretion.

Warranty claims must be returned to the agent who sold the product, shipping prepaid.

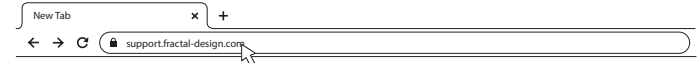
This warranty does not cover:

- Products which have been used for rental purposes, misused, handled carelessly or applied in such a way that is not in accordance with its stated intended use.
- Products damaged from an Act of Nature including, but not limited to, lightning, fire, flood and earthquake.
- Products whose serial number sticker has been tampered with or removed.
- Products which have not been installed in accordance to the user manual.
- Products that have been operated above or below the nominal voltage.
- Products damaged by wear and tear from normal use.

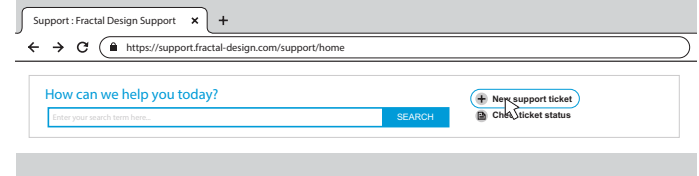
Fractal Design’s maximum liability is limited to the current market value of the product (depreciated value, excluding shipping, handling, and other fees). Fractal Design shall not be liable for any other damage or loss, including but not limited to loss of profit, revenue, or data, or incidental or consequential damage, even if Fractal Design has been advised of the possibility of such damages.

## For Assistance, Please Contact

### 1 Go to “support.fractal-design.com”



### 2 Click on “New support ticket”



### 3 Fill in ticket request and submit

#### Submit a ticket

|                        |   |
|------------------------|---|
| Requester              | <input type="text" value="Email"/>  |
| Type                   | <input type="text"/>  |
| Where are you from?    | <input type="text"/>  |
| Product Category       | <input type="text"/>  |
| Subject                | <input type="text"/>  |
| Description of Problem | <div><p><b>B</b> <b>I</b> <b>L</b> <b>≡</b> <b>≡</b> <b>△</b> <b>□</b> <b>↺</b></p><input type="text"/></div> |

## Sicherheitshinweise

Die folgenden Hinweise dienen dazu, die persönliche Sicherheit des Nutzers und der Komponenten sicherzustellen und einen fehlerfreien Betrieb des Netzteils zu gewährleisten:

- Öffnen Sie niemals das Gehäuse des Netzteils. Das Netzteil kann Stromschläge verursachen und birgt im Inneren keine Komponenten, die durch den Nutzer gewartet werden müssen oder können.
- Betreiben Sie das Netzteil nur in einer sicheren und trockenen Umgebung.
- Stecken Sie keine Objekte in die Lüftungsschlitze des Lüfters oder andere Lüftungsöffnungen des Netzteils.
- Nehmen Sie keine Modifikationen der Kabel oder Anschlüsse vor.
- Versuchen Sie nicht, die Kabel gewaltsam anzuschließen. Jeder Anschluss ist so geformt, dass nur ein Kabel mit passenden Konnektoren eingesteckt werden kann. Das Anwenden übermäßiger Kraft kann in der Deformierung des Anschlusses bzw. der Beschädigung von Netzteil oder angeschlossenen Gerät resultieren.

## Installation

Wenn Sie ein vorhandenes Netzteil ersetzen, beachten Sie bitte Abschnitt A; falls nicht, fahren Sie mit Abschnitt B fort.

### Abschnitt A: Entfernen des bisherigen Netzteils

1. Trennen Sie das Netzkabel vom Computer und der Stromquelle.
2. Öffnen Sie das Computer-Gehäuse und trennen Sie die Kabel aller verbundenen Geräte vom Netzteil.
3. Nehmen Sie nun das Netzteil aus dem Computer-Gehäuse.
4. Fahren Sie mit Abschnitt B fort.

### Abschnitt B: Inbetriebnahme des neuen Fractal Design Netzteils

Schließen Sie das Netzkabel erst NACH den Schritten 1-5 an Netzteil und Stromquelle an.

1. Montieren Sie das Netzteil im Computer-Gehäuse. Beachten Sie dazu die Anweisungen in der Bedienungsanleitung Ihres Gehäuses.
2. Verbinden Sie das ATX 24-pin Kabel mit Ihrem Motherboard.
3. Verbinden Sie das/die ATX12V Kabel mit der CPU.
4. Verbinden Sie alle weiteren Geräte wie Grafikkarten oder Speichermedien mit den entsprechenden Kabeln.
5. Verbinden Sie nun sämtliche Kabel mit den entsprechenden Anschlüssen am Netzteil.  
**Hinweis:** Nutzen Sie nur die im Lieferumfang enthaltenen oder explizit kompatible Kabel mit unserem Netzteil. Die Verwendung falscher Kabel oder das Verbinden mit nicht dafür vorgesehenen Anschlüssen kann zu irreparablen Schäden führen.
6. Schließen Sie das Computer-Gehäuse.
7. Schließen Sie das Netzkabel ordnungsgemäß an und stellen Sie den Einschaltknopf auf der Rückseite des Netzteils auf EIN.

Herzlichen Glückwunsch! Sie haben ihr neues Netzteil nun erfolgreich installiert. Das Netzteil befindet sich im Standby-Betrieb und versorgt das System mit Strom, sowie der Systemstart angestoßen wird.

## Fehlerbehebung

### Der Computer startet nicht

Öffnen Sie zunächst das Computer-Gehäuse und prüfen Sie, ob die Standby-LED des Motherboards leuchtet.

**Hinweis:** Form und Position der LED variieren je nach Motherboard. Beachten Sie daher für weitere Informationen auch die Bedienungsanleitung Ihres Motherboards.

### Die Motherboard LED leuchtet

In diesem Fall versorgt das Netzteil das Motherboard mit Strom. Es gibt zahlreiche mögliche Gründe, warum das System dennoch nicht startet. Prüfen Sie vor einer Reklamation des Netzteils daher unbedingt die folgenden Punkte:

1. Stellen Sie sicher, dass das ATX12V Kabel korrekt angeschlossen ist. Beachten Sie dazu auch die Bedienungsanleitung des Motherboards.
2. Stellen Sie sicher, dass das Kabel des Einschaltknopfes am Gehäuse korrekt am Motherboard angeschlossen ist. Beachten Sie dazu auch die Bedienungsanleitung des Motherboards.  
*Um zu prüfen, ob der Einschaltknopf des Gehäuses korrekt funktioniert, können Sie testweise das Kabel des Reset-Knopfs mit dem Anschluss für den Einschaltknopf am Motherboard verbinden. Startet das System nun korrekt, liegt ein Defekt des Einschaltknopfs vor.*
3. Trennen Sie alle nicht für den Systemstart benötigten Geräte. Lassen Sie jedoch Netzteil, RAM, CPU und CPU-Kühler verbunden. Startet das System nun korrekt hoch, können Sie einzeln das fehlerhafte Geräte diagnostizieren.
4. Schließen Sie nach Möglichkeit das Netzteil an einen anderen PC an, um festzustellen, ob das Problem weiterhin besteht.

### Die Motherboard LED leuchtet nicht

In diesem Fall kann der Fehler auf das Motherboard oder das Netzteil eingegrenzt werden. Bitte prüfen Sie vor einer Reklamation des Netzteils die folgenden Punkte:

1. Stellen Sie sicher, dass das Netzkabel sowohl mit dem Netzteil als auch der Stromquelle verbunden ist. Testen Sie, ob die Stromquelle mit anderen Geräten wie etwa einer Lampe funktioniert.
2. Stellen Sie sicher, dass der Einschaltknopf auf der Rückseite des Netzteils auf EIN (dargestellt „I“) steht.
3. Trennen Sie die ATX Kabel von Netzteil und Motherboard und verbinden Sie diese anschließend wieder.
4. Schließen Sie nach Möglichkeit das Netzteil an ein anderes Motherboard an, um festzustellen, ob das Netzteil oder das Motherboard defekt ist.

### Das System schaltet sich ein, fährt aber sofort wieder herunter

Folgen Sie den Hinweisen im Abschnitt „Die Motherboard LED leuchtet“ weiter oben.

## Das Netzteil ist zu laut

Alle Fractal Design Netzteile wurden mit einem Fokus auf eine möglichst geringe Betriebslautstärke entwickelt. Netzteile sind üblicherweise nie komplett lautlos, allerdings sollte das Netzteil bei geschlossenem Gehäuse kaum bemerkbar sein.

### Mechanische Geräusche

Die Lautstärke von Lüftern nimmt generell im Laufe der Zeit mit zunehmendem Verschleiß zu und ist daher kein typischer Garantiefall. Sollte der Lüfter Ihres neuen Netzteils jedoch übermäßig laut sein oder mechanische Geräusche von sich geben, wenden Sie sich bitte an Ihren Händler.

**Hinweis:** Im Laufe der Zeit kann eine Ansammlung von Staub zur erheblichen Steigerung der Betriebslautstärke führen. Zur Reinigung des Netzteils von Staub nutzen Sie Druckluft.

### Elektrische Geräusche/ Brummen / Spulenfiepen

Üblicherweise entstehen elektrische Geräusche durch Interferenzen zwischen mehreren Komponenten wie etwa dem Netzteil und VRM Modulen der Grafikkarte. Diese Geräusche treten jedoch nur bei bestimmten Auslastungen auf und können durch minimale Anpassungen der Auslastung gemindert werden.

Bitte versuchen Sie vor der Reklamation des Netzteils folgende Anpassungen der Einstellungen aus:

- Aktivieren Sie die Energiesparoptionen Ihrer CPU bzw. Ihres Motherboards wie C1E (Enhanced Halt State) und EIST (Enhanced Intel SpeedStep® Technology). Bitte beachten Sie dazu auch die Bedienungsanleitung Ihres Motherboards, um zu erfahren, welche Funktionen von Ihrem Motherboard unterstützt werden und wie Sie diese ändern können.
- Ändern Sie die Treiberoptionen der Grafikkarte wie etwa die „vsync“ Funktion. Bitte beachten Sie dazu auch die Bedienungsanleitung Ihrer Grafikkarte, um zu erfahren, welche Funktionen von Ihrer Grafikkarte unterstützt werden und wie Sie diese ändern können.

Sollte das Problem mit der Lautstärke nach den Änderungen weiterhin bestehen, akzeptiert Fractal Design laute elektrische Geräusche als akzeptablen Grund für eine Reklamation.

## Eingeschränkte Gewährleistung und Haftungsbeschränkung

Es wird für einen Zeitraum von **84 Monaten** nach Erhalt des Produkts durch den Kunden garantiert, dass das Produkt frei von Material- und Verarbeitungsfehlern ist. Innerhalb dieser Garantiezeit werden defekte Produkte nach dem Ermessen von Fractal Design entweder repariert oder ersetzt. Garantiefälle sind bei dem Händler zu retournieren, bei dem das Produkt erworben wurde. Der Absender trägt die Versandkosten.

Die Garantie gilt nicht für:

- Produkte, die entweder vermietet, falsch genutzt, fahrlässig behandelt oder für einen nicht vorgesehenen Verwendungszweck genutzt wurden.
- Produkte, die durch höhere Gewalt beschädigt wurden. Dies umfasst unter anderem, aber nicht ausschließlich, Blitzschlag, Feuer, Überschwemmungen und Erdbeben.
- Produkte, deren Aufkleber mit der Seriennummer verändert oder entfernt wurde.
- Produkte, die nicht wie in der Bedienungsanleitung beschrieben, installiert wurden.
- Produkte, die unterhalb oder oberhalb der angegebenen Nennspannung betrieben wurden.
- Verschleiß durch normalen Gebrauch des Produkts.

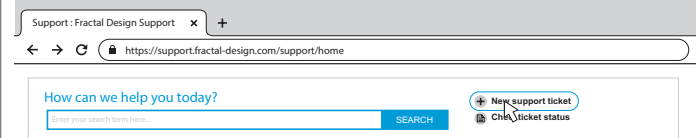
Die Haftung von Fractal Design beschränkt sich auf den aktuellen Marktwert des Produkts (Wertminderung, ohne Versand, Bearbeitung oder andere Gebühren). Fractal Design haftet nicht für sonstige Schäden und Verluste, wie etwa, aber nicht ausschließlich, Verdienstausfälle, Verlust von Daten, Folgeschäden, selbst wenn Fractal Design über die Möglichkeit solcher Schäden oder Verlust informiert wurde.

## Gerne können Sie sich für weitere Hilfe an unseren Support Wenden

### 1 Besuchen Sie "support.fractal-design.com"



### 2 Klicken Sie auf "New support ticket"



### 3 Schildern Sie Ihre Frage oder Ihr Problem im Ticket und schicken Sie dieses ab

#### Submit a ticket

Requester

Type

Where are you from?

Product Category

Subject

Description of Problem   
 **B** *I* U

## Informations de sécurité

Les informations suivantes sont fournies afin de garantir la sécurité personnelle, la sécurité des composants et le bon fonctionnement du bloc d'alimentation:

- N'ouvrez en aucun cas le boîtier du bloc d'alimentation. L'unité peut décharger des tensions dangereuses et aucun composant interne ne peut être réparé par l'utilisateur.
- N'utilisez le bloc d'alimentation que dans des environnements sûrs et secs.
- N'insérez jamais d'objets dans la grille du ventilateur ou dans les zones de ventilation ouvertes du bloc d'alimentation.
- Ne modifiez pas les câbles et/ou connecteurs du bloc d'alimentation.
- Ne forcez pas sur les connecteurs. Chaque connecteur est conçu pour s'adapter uniquement à la prise adéquate. L'utilisation d'une force excessive pour insérer un connecteur dans une prise incompatible endommagera à la fois le bloc d'alimentation et le périphérique connecté.

## Installation

Si vous remplacez une alimentation électrique existante, passez à la section A ; sinon, passez à la section B.

### Partie A : Dépose de l'alimentation existante

1. Débranchez le cordon d'alimentation de l'ordinateur et de la prise électrique.
2. Ouvrez le boîtier de l'ordinateur et déconnectez les câbles d'alimentation de tous les appareils.
3. Retirez le bloc d'alimentation existant du boîtier.
4. Passez à la Section B.

### Partie B : Installation du nouveau bloc d'alimentation Fractal Design

Ne connectez pas le cordon d'alimentation secteur au nouveau bloc d'alimentation avant d'avoir terminé les étapes 1 à 5.

1. Montez le bloc d'alimentation dans le boîtier de l'ordinateur - reportez-vous au manuel du boîtier pour plus d'instructions.
2. Connectez le câble ATX 24 broches à la carte mère.
3. Connectez le ou les câbles ATX12V à la CPU.
4. Connectez tous les autres périphériques tels que les cartes graphiques et les périphériques de stockage à l'aide du ou des câbles d'alimentation modulaires appropriés.
5. Branchez tous les câbles d'alimentation modulaires au bloc d'alimentation à l'aide des connecteurs correctement étiquetés avec le nombre de broches correspondant.

**Remarque:** Utilisez uniquement les câbles inclus ou des câbles explicitement approuvés pour une utilisation avec votre bloc d'alimentation. Mélanger les câbles ou forcer les connecteurs dans des prises incompatibles peut entraîner des dommages permanents.

6. Fermez le boîtier de l'ordinateur.
7. Branchez le cordon d'alimentation secteur et placez le bouton à l'arrière du bloc d'alimentation en position ON.

Félicitations ! Vous avez correctement installé votre nouveau bloc d'alimentation. Le bloc d'alimentation est maintenant en mode veille et prêt à être allumé via la commande de la carte mère.

## Dépannage

### L'ordinateur ne démarre pas

D'abord, ouvrez le boîtier de l'ordinateur et vérifiez si la LED de veille de la carte mère est allumée.

**Remarque:** La LED peut être de différentes formes et dans différentes positions sur la carte mère - reportez-vous au manuel de la carte mère pour plus de détails.

#### La LED de la carte mère est allumée

Dans ce cas, le bloc d'alimentation alimente la carte mère en tension de veille. Plusieurs problèmes courants peuvent l'empêcher de s'allumer. Vérifiez les points suivants avant de retourner le bloc d'alimentation au revendeur:

1. Assurez-vous que le ou les câbles ATX12V sont correctement connectés - consultez le manuel de la carte mère pour plus de détails.
2. Assurez-vous que le câble du bouton d'alimentation du boîtier est correctement raccordé à la carte mère - consultez le manuel de la carte mère pour plus de détails.  
*Pour tester, connectez les deux broches « Power Button » de la carte mère au câble du bouton de réinitialisation du boîtier, puis appuyez sur le bouton de réinitialisation. Cela confirmera ou non que le bouton d'alimentation du boîtier fonctionne correctement.*
3. Déconnectez tous les appareils non essentiels. Laissez le bloc d'alimentation, la mémoire système (RAM), le processeur et le refroidisseur de processeur connectés à la carte mère. Si l'ordinateur démarre dans cette configuration, reconnectez les autres composants un par un pour identifier le périphérique défectueux.
4. Le cas échéant, connectez le bloc d'alimentation à un autre PC ou ensemble de matériel pour voir si le problème persiste.

#### La LED de la carte mère est éteinte

Dans ce cas, la carte mère peut être défectueuse ou ne reçoit pas l'alimentation de secours du bloc d'alimentation. Vérifiez les points suivants avant de supposer un défaut du bloc d'alimentation et de le renvoyer au revendeur:

1. Assurez-vous que le cordon d'alimentation principal est connecté à la fois à l'alimentation et à une source d'alimentation sous tension. Vérifiez la prise de courant avec un autre appareil électrique, comme une lampe, pour vous assurer qu'elle fournit de l'énergie.
2. Assurez-vous que l'interrupteur à l'arrière du bloc d'alimentation est en position ON (marqué « I »).
3. Débranchez et rebranchez les câbles d'alimentation ATX branchés à la carte mère.
4. Le cas échéant, connectez le bloc d'alimentation à une autre carte mère pour essayer de voir si le bloc d'alimentation ou la carte mère est défectueux.

#### L'ordinateur s'allume mais s'éteint immédiatement

Reportez-vous aux mêmes étapes de dépannage que pour la section « La LED de la carte mère est allumée » ci-dessus.

## L'alimentation est bruyante

Toutes les alimentations Fractal Design ont été développées avec un faible niveau de bruit en priorité. Les blocs d'alimentation ne sont généralement jamais complètement silencieux, mais le bruit des blocs d'alimentation est à peine perceptible lorsque le boîtier de l'ordinateur est fermé.

### Bruit mécanique / bruit du ventilateur

Les ventilateurs deviennent généralement plus bruyants avec le temps et l'usure, ce qui n'est généralement pas une cause de réclamation dans le cadre de la garantie. Cependant, il convient de contacter le revendeur si le ventilateur est excessivement bruyant sur une alimentation électrique neuve.

**Remarque:** *Au fil du temps, de la poussière peut s'accumuler sur la grille du ventilateur et produire un bruit excessif - éliminez l'accumulation à l'aide d'une bombe aérosol d'air comprimé.*

### Bruit électrique / ronflement / grincement de la bobine

En règle générale, le bruit électrique est causé par la somme des interférences dues aux interactions entre plusieurs composants, comme entre l'alimentation et les modules VRM sur une carte graphique. Cependant, ce bruit peut se produire uniquement à certaines combinaisons de charges et peut souvent être atténué en apportant de légères modifications à la charge électrique.

Veillez essayer de modifier les paramètres suivants avant de retourner votre alimentation électrique à votre revendeur:

- Les fonctions d'économie d'énergie du processeur et de la carte mère, telles que C1E (Enhanced Halt State) et EIST (Enhanced Intel SpeedStep® Technology) - reportez-vous au manuel de la carte mère pour plus de détails sur les fonctions prises en charge par la carte mère et comment modifier leurs paramètres
- Les options du pilote de carte graphique, notamment l'option « vsync » - reportez-vous au manuel de la carte graphique pour savoir comment modifier ces paramètres.

Si le niveau de bruit n'est pas réduit après avoir ajusté les paramètres de charge électrique, Fractal Design considère que le bruit électrique important est une cause légitime de réclamation sous garantie.

## Garantie limitée et limitation de responsabilité

Ce produit est garanti contre les vices de matériau et/ou de fabrication **84 mois** à compter de la date de livraison à l'utilisateur final. Au cours de cette période de garantie limitée, le produit sera, à la discrétion de Fractal Design, soit réparé soit remplacé. Les réclamations au titre de la garantie doivent être retournées, avec port payé, au vendeur du produit.

La garantie ne couvre pas:

- Les produits qui ont été utilisés à des fins de location, de manière erronée, manipulés avec négligence ou appliqués d'une manière qui n'est pas conforme à l'utilisation prévue.
- Les produits endommagés par une calamité naturelle, notamment, mais sans s'y limiter, la foudre, le feu, les inondations et les tremblements de terre.
- Les produits dont le numéro de série a été altéré ou enlevé.
- Les produits qui n'ont pas été installés conformément au manuel d'utilisation.
- Les produits qui ont fonctionné sous une tension supérieure ou inférieure à la tension nominale.
- Les produits endommagés par une usure normale

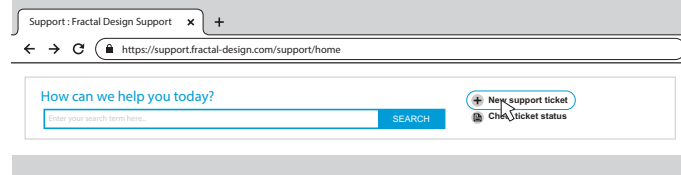
La responsabilité maximale de Fractal Design se limite à la valeur marchande actuelle du produit (valeur dépréciée, hors frais d'expédition, de manutention et autres frais). Fractal Design ne sera pas responsable de tout autre dommage ou perte, notamment, mais sans s'y limiter, la perte de profit, de revenus, de données ou les dommages accessoires ou consécutifs, même si Fractal Design a été informé de la possibilité de tels dommages.

## Pour assistance, veuillez contacter

### 1 Allez sur « support.fractal-design.com »



### 2 Cliquez sur « New support ticket »



### 3 Remplissez un ticket d'assistance et soumettez-le

#### Submit a ticket

|                        |   |
|------------------------|---|
| Requester              | <input type="text" value="Email"/>                                |
| Type                   | <input type="text" value=""/>                                     |
| Where are you from?    | <input type="text" value=""/>                                     |
| Product Category       | <input type="text" value=""/>                                     |
| Subject                | <input type="text" value=""/>                                     |
| Description of Problem | <p><b>B</b> / <u>U</u> /  /  /  /  /  / </p> <input type="text"/> |

## Información de seguridad

La siguiente información se proporciona para garantizar la seguridad personal, la seguridad de los componentes y el correcto funcionamiento de la fuente de alimentación.

- Nunca abra la caja de la fuente de alimentación. La unidad puede descargar voltajes peligrosos y no hay componentes que el usuario pueda reparar en su interior.
- Utilice la fuente de alimentación únicamente en entornos seguros y secos.
- No introduzca nunca objetos en la rejilla del ventilador o en las áreas de ventilación abiertas de la fuente de alimentación.
- No modifique los cables y/o conectores de la fuente de alimentación.
- No fuerce los conectores. Cada conector tiene una forma que solamente encaja cuando se inserta en la toma correcta. El uso de fuerza excesiva para insertar un conector en una toma incompatible causaría daños tanto a la fuente de alimentación como al dispositivo conectado.

## Instalación

Si va a sustituir una fuente de alimentación existente, continúe con la Sección A; de lo contrario, vaya a la Sección B.

### Sección A: Extraer la fuente de alimentación existente

1. Desconecte el cable de alimentación del ordenador y de la toma de corriente.
2. Abra la caja del ordenador y desconecte los cables de alimentación de todos los dispositivos.
3. Extraiga la fuente de alimentación de la caja.
4. Continúe con la Sección B.

### Sección B: Instalar la nueva fuente de alimentación Fractal Design

No conecte el cable de alimentación de CA a la nueva fuente de alimentación hasta que no haya completado los pasos 1 al 5.

1. Acople la fuente de alimentación en la caja del ordenador (consulte el manual de la caja para obtener instrucciones detalladas).
2. Conecte el cable ATX de 24 pines a la placa base.
3. Conecte el cable o los cables ATX12V a la CPU.
4. Conecte todos los demás dispositivos, como tarjetas gráficas y dispositivos de almacenamiento, con los cables de alimentación modulares adecuados.
5. Conecte todos los cables de alimentación modulares a la fuente de alimentación utilizando los conectores debidamente etiquetados con el número de pines correspondiente.  
**Nota:** Utilice únicamente los cables incluidos o los cables aprobados específicamente para su fuente de alimentación. Mezclar cables o forzar conectores en tomas incompatibles puede provocar daños permanentes.
6. Cierre la caja del ordenador.
7. Conecte el cable de alimentación de CA y coloque el botón en la parte posterior de la fuente de alimentación en la posición de encendido.

¡Enhorabuena! Ha completado la instalación de su fuente de alimentación. La fuente de alimentación está ahora en modo de espera y lista para ser encendida mediante el control de la placa base.

## Solución de problemas

### El ordenador no se enciende

Primero, abra la caja del ordenador y compruebe si el LED de espera en la placa base está encendido.

**Nota:** El LED puede tener distintas formas y diferentes posiciones en la placa base. Consulte el manual de la placa base para obtener más información.

### El LED de la placa base está encendido

En este caso, la fuente de alimentación está suministrando energía de reserva a la placa base. El ordenador podría no encenderse por varios problemas: Compruebe lo siguiente antes de devolver la fuente de alimentación al revendedor:

1. Asegúrese de que el cable o los cables ATX12V estén conectados correctamente (consulte el manual de la placa base para obtener más información).
2. Asegúrese de que el cable del botón de encendido/apagado de la caja esté conectado correctamente a la placa base (consulte el manual de la placa base para obtener más información).  
*Para comprobar, conecte los dos pines del "Botón de encendido/apagado" en la placa base al cable del botón de reinicio de la caja y pulse el botón de reinicio. Esto confirmará si el botón de encendido/apagado de la carcasa funciona correctamente.*
3. Desconecte todos los dispositivos no esenciales. Deje la fuente de alimentación, la memoria del sistema (RAM), la CPU y la unidad de refrigeración de la CPU conectadas a la placa base. Si el ordenador se inicia con esta configuración, vuelva a conectar los otros componentes uno por uno para identificar el dispositivo que da problemas.
4. Si es posible, conecte la fuente de alimentación a otro PC o conjunto de hardware para confirmar si el problema persiste.

### El LED de la placa base está apagado

En este caso, es posible que la placa base no funcione o que no reciba energía de reserva de la fuente de alimentación. Compruebe lo siguiente antes de asumir que existe un problema con la fuente de alimentación y devuelva al revendedor:

1. Asegúrese de que el cable de alimentación principal esté conectado tanto a la fuente de alimentación como a una fuente de alimentación activa. Compruebe la toma de corriente con otro dispositivo eléctrico, como una lámpara, para asegurarse de que suministra energía.
2. Asegúrese de que el interruptor en la parte posterior de la fuente de alimentación esté en la posición de encendido (marcada con "I").
3. Desconecte y vuelva a conectar los cables de alimentación ATX conectados a la placa base.
4. Si es posible, conecte la fuente de alimentación a una placa base diferente para intentar confirmar si la fuente de alimentación o la placa base fallan.

### El ordenador se enciende, pero se apaga de inmediato

Consulte los mismos pasos de solución de problemas que para la sección anterior "El LED de la placa base está encendido".



## La fuente de alimentación hace ruido

Todas las fuentes de alimentación de Fractal Design se desarrollan con bajos niveles de ruido. Las fuentes de alimentación no suelen ser completamente silenciosas; sin embargo, el ruido de la fuente de alimentación apenas debería escucharse con la caja cerrada.

### Ruido mecánico / Ruido del ventilador

Los ventiladores suelen hacer más ruido con el tiempo y el desgaste, lo que no suele constituir un motivo de reclamación de garantía. Sin embargo, póngase en contacto con el distribuidor si el ventilador hace un ruido excesivo en una fuente de alimentación nueva.

**Nota:** Con el tiempo, se puede acumular polvo en la rejilla del ventilador, lo que puede producir un ruido excesivo. Limpie la acumulación de polvo con un dispositivo de aire comprimido.

### Ruido eléctrico / Zumbido / Chirrido de la bobina

Por lo general, el ruido eléctrico es causado por la suma de interferencias de las interacciones entre varios componentes, como entre la fuente de alimentación y los módulos VRM en una tarjeta gráfica. Sin embargo, este ruido suele ocurrir solamente con ciertas combinaciones de carga y, a menudo, puede mitigarse realizando ligeros cambios en la carga de potencia.

Intente modificar la siguiente configuración antes de devolver la fuente de alimentación a su distribuidor:

- Funciones de ahorro de energía de la CPU y la placa base, como C1E (Estado de detención mejorado) y EIST (Tecnología Intel SpeedStep® mejorada). Consulte el manual de la placa base para obtener más detalles sobre qué características admite la placa base y cómo cambiar su configuración.
- Opciones del controlador de la tarjeta gráfica, incluida la opción "vsync". Consulte el manual de la tarjeta gráfica para obtener instrucciones sobre cómo cambiar esta configuración.

Si el nivel de ruido no se reduce después de ajustar la configuración de carga de energía, Fractal Design considera que el ruido eléctrico fuerte es una causa aceptable de reclamación de garantía.

## Garantía limitada y limitación de responsabilidad

Este producto tiene una garantía de **84 meses** contra defectos de material y/o mano de obra a partir de la fecha de entrega al usuario final. Dentro de este período de garantía limitada, Fractal Design reparará o sustituirá el producto a su discreción. Para hacer efectiva la reclamación de garantía, el usuario debe devolver el producto al agente que le vendió el producto con envío prepagado.

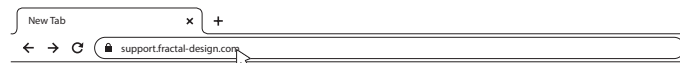
Esta garantía no cubre lo siguiente:

- Productos que han sido alquilados, mal utilizados, tratados con descuido o utilizados de un modo distinto a su uso previsto.
- Productos dañados por fuerzas de la naturaleza, como relámpagos, incendios, inundaciones y terremotos.
- Productos en los que se haya manipulado o eliminado la etiqueta de número de serie.
- Productos que no se hayan instalado de acuerdo con las instrucciones proporcionadas en el manual del usuario.
- Productos que se hayan utilizado con una tensión nominal diferente a la especificada.
- Productos dañados por el desgaste del uso normal.

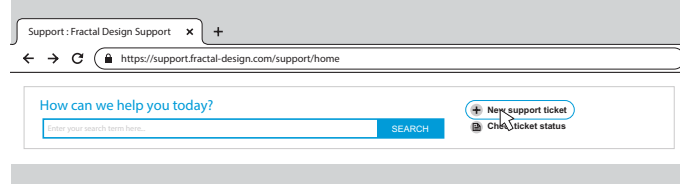
La responsabilidad máxima de Fractal Design se limita al valor de mercado actual del producto (valor depreciado, excluyendo gastos de envío, manipulación y otras tarifas). Fractal Design no será responsable de ningún otro daño o pérdida, incluidas, entre otras, la pérdida de ganancias, ingresos o datos, ni daños incidentales o consecuentes, incluso aunque Fractal Design hubiera sido advertido de la posibilidad de tales daños.

## Para solicitar asistencia, póngase en contacto con nosotros

### 1 Vaya a "support.fractal-design.com"



### 2 Haga clic en "New support ticket"



### 3 Complete la solicitud de asistencia y envíela

#### Submit a ticket

Requester

Type

Where are you from?

Product Category

Subject

Description of Problem   
 **B** *I* U **≡** **≡** **△** **X** **↺**

## 安全情報

以下の情報はお客様の安全、コンポーネントの安全、電源ユニットの正しい使用の目的で提供されています：

- 電源ユニットには高電圧の箇所がございます。感電の恐れがあるため分解、改造は行わないでください。また製品内部をお客様ご自身で点検、修理することはお止めください。
- 電源ユニットを安全にお使い頂くため適切な温湿度環境下で使用してください。
- 電源ユニットのファンのグリルや換気用の開口部へ異物を挿入することはお止めください。
- 電源ユニットのケーブルおよび/またはコネクタは改造しないでください。
- コネクタへ強い力を加えないでください。各コネクタは各コンポーネントの端子に対してご挿入を防ぐ形状となっています。間違った端子へ力任せにコネクタを挿入すると、電源ユニットとコンポーネントのどちらか、もしくは両方が損傷する原因となります。

## インストール

既存の電源ユニットと交換する場合は、セクションAをお読みください。新しく取り付けする場合は、セクションBをお読みください。

### セクションA：既存の電源ユニットの取り外し

- コンピューターとコンセントから電源コードを外します。
- コンピューターケースを開き、すべてのデバイスから電源ケーブルを外します。
- 既存の電源ユニットをケースから取り外します。
- 続いてセクションBの指示に従ってください。

### セクションB：新しいFractal Design製電源ユニットの取り付け

ステップ1～5を完了させない限り、新しい電源ユニットへAC電源コードを接続してはなりません。

- 電源ユニットをコンピューターケースに取り付けます。詳細はケースのマニュアルを参照してください。
- ATX 24ピンケーブルをマザーボードのATX24ピンコネクタへ接続します。
- ATX 12VケーブルをマザーボードのATX12Vコネクタへ接続します。
- グラフィックカードやストレージデバイスなど、他のデバイスすべてに、モジュラー電源ケーブルのコネクタ接続します。
- ピン数が一致し、ラベル表示が正しいコネクタを使用し、すべてのモジュラー電源ケーブルを電源ユニットへ接続します。  
**注意：**付属ケーブルを使用するか、お使いのPSUで明確に承認されているケーブルのみを使用してください。異なる種類のケーブルを混在させたり、間違ったソケットへコネクタを強引に接続すると、故障の原因となります。
- コンピューターケースを開きます。
- AC電源コードを接続して、電源ユニット背面のボタンを「|」と表示されている位置へ切り替えます。

おめでとうございます！新しい電源ユニットが取り付けできました。

電源ユニットはスタンバイモードに入っており、マザーボードからの制御信号を受けて電源オンに入る準備ができています。

## トラブルシューティング

### コンピューターが起動しない

まず、コンピューターケースを開いて、マザーボードのスタンバイLEDが点灯していることを確かめてください。

**注意：**LEDは様々な形状を持っていたり、マザーボードごとに異なる場所に配置されています。詳細はマザーボードのマニュアルを参照してください。

#### マザーボードのLEDがオンの場合

この場合、電源ユニットはマザーボードにスタンバイ電源を供給しています。コンピューターの電源が入らない理由はいくつか考えられます。電源ユニットを販売店へ返品する前に、以下の項目を検査してください。

- ATX 12Vコネクタへケーブルが正しく接続されているか確かめてください。詳細はマザーボードのマニュアルを参照してください。
- ケースの電源ボタンケーブルが正しくマザーボードに接続されているか確かめてください。詳細はマザーボードのマニュアルを参照してください。  
テストする方法：マザーボードにある2つの「電源ボタン」ピンをケースのリセットボタンケーブルへ接続し、リセットボタンを押してみてください。これで、ケースの電源ボタンが正しく動作しているか、確かめられます。
- 最低限必要なケーブル以外はすべて外してください。電源ユニット、システムメモリ (RAM)、CPU、CPUクーラー、必要であればグラフィックスカードはマザーボードに接続したままにしてください。  
この状態でコンピューターが起動する場合は、他のコンポーネントを1つずつ接続しなおして、故障のあるデバイスを突き止めてください。
- 可能であれば、電源ユニットを他のPCやハードウェアへ接続して、問題が継続するか確かめてください。

#### マザーボードのLEDがオフの場合

この場合、マザーボードに故障の原因があるか、または電源ユニットからマザーボードへスタンバイ電源が供給されていません。電源ユニットが故障していると判断して販売店へ返品する前に、以下の項目を検査してください。

- AC電源コードが電源ユニットと電源コンセントの両方へ接続されているか確かめてください。ランプなどほかの電気機器をコンセントに接続して、電源が通じているか確かめてください。
- 電源ユニット背面のスイッチが「ON」(「|」と表示されています)になっているか確かめてください。
- マザーボードへ接続されているATX電源ケーブルを外し、再度接続してみてください。
- 可能であれば、電源ユニットを別のマザーボードへ接続し、電源ユニットまたはマザーボードのどちらかが故障しているか確かめてください。

#### コンピューターが起動するが、すぐにオフになる場合

上記の「マザーボードのLEDがオンの場合」に記載されたトラブルシューティングの手順に従ってください。



## 安全資訊

為保障你的人身安全以及零件正常運作，請務必閱讀以下如何如何正確使用電源供應器 (PSU) 的相關資訊：

- 請勿拆卸PSU的外殼。本設備可能釋放危險電壓，且內部不含可自行維修之零件。
- 請務必於安全且乾燥的環境使用PSU。
- 請勿將物品插入PSU的風扇散熱孔或通風部位。
- 請勿改裝PSU的電源線及/或排線。
- 請勿強行插入排線。每個排線均有相對應的插座。若強行以外力將排線插入不相容的插座，將對PSU及連接的設備造成損害。

## 安裝說明

若是更換現有的電源供應器，請從A部分開始；其他情況請跳至B部分。

A部分：移除現有PSU

1. 將電腦與電源插座之間的電源線移除。
2. 打開電腦主機外殼，並將所有設備的電源排線移除。
3. 將現有的PSU移除。
4. 接著進行B部分。

B部分：安裝新的Fractal Design PSU

在完成步驟1至5前，請勿將交流電源線連接至新的PSU。

1. 將PSU裝入電腦主機內 - 詳細步驟請參考機殼說明書。
2. 將ATX 24pin電源排線連接至主機板。
3. 將ATX 12V電源排線連接至CPU。
4. 將顯示卡、儲存裝置等其他設備，連接對應的電源排線。
5. 使用標示正確且接腳數正確的電源排線，將所有模組電源線連接至PSU。  
註：僅限使用本PSU隨附或確定適用的電源排線。  
混合使用電源排線或強行將連接器插入不相容的插座，恐造成永久性損壞。
6. 裝回電腦主機外殼。
7. 接上交流電源線，並將PSU背面開關切換至ON的位置。

恭喜！您已成功安裝新的PSU。

PSU目前處於待機模式，您可透過主機板啟動電源。

## 疑難排解

### 電腦無法啟動

首先請打開電腦機殼，確認主機板上的顯示待機LED燈是否亮著。

註：待機燈依照主機板不同，可能有不同形狀或在不同位置 - 詳細位置請參考主機板說明書。

### 主機板LED燈亮

在此情況下，PSU正為主機板提供備用電源。有幾個常見情況可能造成電腦無法開啟。請在將PSU退給經銷商前進行以下檢查：

1. 確認ATX 12V電源排線已正確連接 - 詳細內容請參考主機板說明書。
2. 確認外殼電源鍵的電源排線已正確連接到主機板 - 詳細內容請參考主機板說明書。  
測試時可將主機板上兩個「電源開關」接腳與機殼上的重設鍵電源線連接，然後按下重設鍵。這樣即能確認外殼的電源鍵是否正常運作。
3. 卸除所有非必要的設備，只留下PSU、記憶體、CPU及CPU散熱器連接至主機板。  
若電腦在這樣的狀態下能啟動，請逐一接回其他的零件，以辨識故障裝置。
4. 如條件允許，請將PSU連接至其他的電腦或硬體，確認是否存在同樣問題。

### 主機板LED燈不亮

在此情況下，主機板可能故障或是未能從PSU接收備用電源，請在確認PSU故障並退還商家前，進行以下檢查：

1. 確認主電源線已連接PSU及外部電源。請以其他電子設備，如檯燈等，確認外部電源正常供電。
2. 確認PSU背面的開關已切換至ON的位置（標示為「I」）。
3. 將ATX電源線從主機板卸下後重新連接。
4. 如條件允許，請將PSU連接至其他主機板，確認是PSU或主機板故障。

### 電腦電源開啟後立即關閉

請參照上方疑難排解中「主機板LED燈亮」的步驟測試。

### 電源有噪音

Fractal Design開發所有電源時，降噪可說是優先考量重點。原則上PSU運作時不會完全無聲，然而在電腦主機殼蓋上時，幾乎不會聽到PSU運作的噪音。

### 機械噪音 / 風扇噪音

一般而言，風扇運作的聲音會隨時間及磨損而變大，這通常無法申請保固賠償。然而，若是全新的PSU風扇過度嘈雜，請逕洽經銷商。

註：在長期使用的情况下，可能會有灰塵堆積在風扇葉片上，造成風扇噪音 - 建議可以用除塵空氣罐清潔。

### 機械噪音 / 嗡嗡聲 / 高頻音

通常機械噪音是因零件間（例如：電源供應器及顯示卡上的電壓調節模組）的相互作用造成。然而，這類噪音只會在特定的負載組合下出現，通常對電力負荷進行微調後即可改善。

在將電源供應器退還經銷商前，請先嘗試調整以下功能的設定：

- CPU及主機板的節能功能，例如C1E（增強型空閒電源管理狀態轉換）及EIST（增強型Intel SpeedStep® 技術）- 有關主機板支援的功能及設定方式，請參考主機板說明書。
- 顯示卡驅動選項，包含垂直同步（VSync）選項 - 有關更改設定的步驟，請參考顯示卡說明書。

若在調整以上電力負荷設定後，噪音問題仍無法改善，Fractal Design 將針對機械噪音提供保固服務。

## 產品有限保固及責任限制

本產品在消費者取得產品後提供 84 個月的保固，以防止材料及/或製造上的缺陷造成消費者權益損害。在保固期限內，Fractal Design 可決定產品需維修或是更換新產品。產品需寄回原先購買的經銷商，運費需自付。

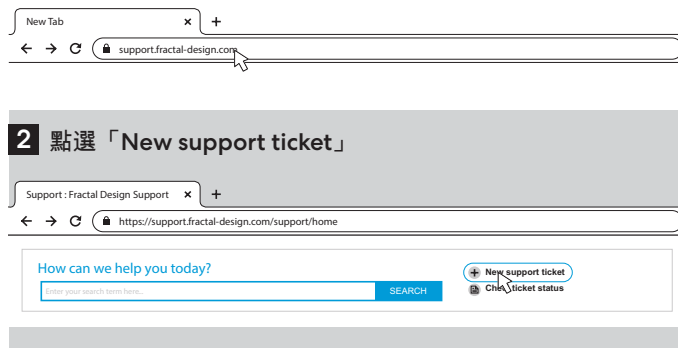
產品保固不適用以下狀況：

- 產品被租借、濫用、使用不慎或未依照原設計之用途使用。
- 產品因自然現象而損害，例如：雷擊、火災、水災及地震等。
- 產品序號標籤遭篡改或移除。
- 產品未依照使用說明安裝。
- 產品未在標準電壓下運作。
- 產品因正常磨損而損壞。

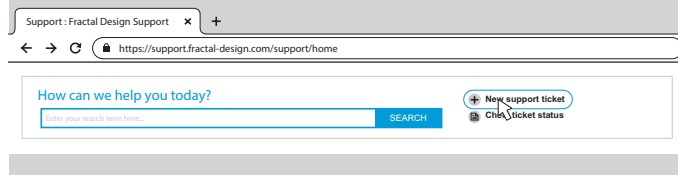
Fractal Design 的責任限制最大不超過產品目前市場價值（折舊價值，並扣除運費、手續費及其他費用）。Fractal Design 不對任何其他損害或損失負責，包含利潤及營收的損失、資料損失或附帶性及間接性損害，即使 Fractal Design 獲知此類損害產生的可能性

## 如需其他幫助，請循以下聯絡方式

### 1 請至「support.fractal-design.com」



### 2 點選「New support ticket」



### 3 填寫表單內容並送出

#### Submit a ticket

Requester

Type

Where are you from?

Product Category

Subject

Description of Problem   
 **B** / *I* / U / 

- ☰
- ☰

 / **A** / **X** / **↺** / **↻**

## 安全信息

为保护用户人身安全以及产品正常工作，请务必阅读以下如何正确使用电源供电器 (PSU) 的相关信息：

- 请勿打开PSU外壳。本设备可能会释放危险电压，电源内部没有用户可自行维修的部件与项目。
- 请务必在安全且干燥的环境中操作PSU。
- 请勿将任何物品插入PSU的风扇格栅或通风区域。
- 请勿更改PSU电缆/连接排线插头。
- 请勿强行插入连接排线插头。每个连接排线插头仅在插入与其形状相匹配的正确插座时才适用。用力将连接排线插头插入不兼容的插座，将对PSU和连接设备造成损坏。

## 安装

如果要更换现有电源，请继续执行A部分中的操作；如果不是，请跳至B部分。

### A部分：拆卸现有PSU

1. 断开电源线与电脑和电源插座的连接。
2. 打开电脑机箱，然后断开所有设备的电源线。
3. 从机箱中拆卸现有PSU。
4. 继续执行B节中的操作。

### B部分：安装新的Fractal Design PSU

在完成步骤1至5之前，请勿将交流电源线连接到新的PSU。

1. 将PSU安装在电脑机箱中 - 更多说明，请参阅机箱使用手册。
2. 将ATX 24针电缆连接到主板。
3. 将ATX12V电缆连接到CPU。
4. 使用相对应的模块化电缆连接所有其他设备，例如显卡和存储设备。
5. 使用引脚数正确且妥善标示的连接器，将所有模块化电源电缆连接到PSU。  
注释：请使用随附电缆或明确批准可用于本PSU的电缆。混用电缆或将连接器强行插入不兼容的插座，恐造成永久性损坏以及对人员造成伤害。
6. 装回机箱外壳。
7. 连接交流电源线，然后将PSU背面的开关按钮切换到“ON”（开）的位置。

恭喜！您已经成功安装新的PSU。

PSU现在处于待机模式，您可通过主板控制器启动电源。

## 故障排除

### 电脑无法启动

首先打开电脑机箱，查看主板上的待机LED灯是否点亮。

注释：主板上的LED灯的形状和位置不尽相同 - 更多有关详情，请参阅主板使用手册。

主板LED灯点亮

如果出现这种情况，则说明PSU为主板提供的是备用电源。有几个常见问题可能导致它无法启动。

将PSU退还给经销商之前，请进行以下检查：

1. 确保正确连接了ATX12V电缆 - 更多详情，请参阅主板使用手册。
2. 确保机箱的电源按钮电缆已正确连接到主板 - 有关更多详情，请参阅主板使用手册。为了测试故障，将主板上的两个“电源按钮”引脚连接到机箱的重置按钮电缆，然后按下重置按钮。这样做可以确认机箱的电源按钮是否正常工作。
3. 断开所有非必需设备的连接。仅留PSU、系统内存 (RAM)、CPU和CPU散热器与主板保持连接。如果电脑启动，请逐个重新连接其他组件，以便识别故障设备。
4. 在有条件的情况下，将PSU连接到另一台PC或硬件设备，以确认问题是否仍然存在。

主板LED灯熄灭

如果出现这种情况，则说明主板可能发生故障或从未从PSU接入备用电源。在认定PSU故障并将其退还给经销商前，请进行以下检查：

1. 确保ATX12V（主电源线）已连接到PSU。请以其他电子设备（例如台灯），检查电源是否正常供电。
2. 确保PSU背面的开关处于“ON”（开）的位置（标记为“I”）。
3. 将与主板相连的ATX电源线断开和重连。
4. 如条件允许，将PSU连接到其他主板，以确认PSU或主板是否故障。

电脑电源打开后立即关闭

请参考上述“主板LED灯亮起”部分的故障排除步骤。

### 电源有噪声

Fractal Design开发所有电源时，噪声级是高优先级考虑因素。PSU运作时通常不会完全没有声音，但是在装上电脑机箱的情况下，几乎无法察觉到PSU发出的噪声。

机械噪声 / 风扇噪声

随着使用时间累计增加和磨损程度变大，风扇的噪声通常会变大，不构成保修条件，属于正常工作标准范围。如果在使用全新电源的条件下，风扇仍发出较大的噪声，请与经销商联系。

注释：在长期使用的情况下，风扇格栅上会积聚大量灰尘，风扇可能会产生相对较大的噪声，利用一罐压缩空气清除积聚的灰尘。

电气噪声/嗡嗡声/电啸声

一般情况下，电气噪声由几个组件（例如电源和显卡上的VRM模块）之间的相互作用产生的干扰引起。但是，这种噪声可能仅在某些负载组合下才会出现，通常对功率负载稍作调整就可以减轻这种噪声。

在将电源退还给经销商之前，请尝试更改以下设置：

- CPU和主板的节能功能，例如C1E（增强型空闲电源管理状态转换）和EIST（增强型IntelSpeed-Step®技术） - 有关主板支持的功能以及如何更改其设置的详细信息，请参阅主板使用手册。
- 显卡驱动程序选项，包括垂直同步（VSync）选项 - 有关如何更改这些设置的说明，请参阅显卡使用手册。

如果在调整电源负载设置后噪声级仍未降低，则Fractal Design将针对电气噪声过大提供保修服务。

## 有限保修和责任限制

从本产品交付给最终用户之日开始，用户享有本产品84个月的保修期，保修范围包括材料和/或工艺上的缺陷。在此有限保修期内，Fractal Design将自行决定维修或更换本产品。保修服务必须退回给销售本产品的代理商，支付运费。

此保修不包括：

- 在租赁、使用不当、疏忽不慎或以与指定用途不符的情况下使用产品。
- 因自然灾害而受到破坏的产品，例如：雷击、火灾、洪水和地震。
- 序列号标签无法辨识、被修改或移除的产品。
- 未按照用户手册安装的产品。
- 在高于或低于标称电压下运行的产品。
- 因正常使用中产生的磨损而损坏的产品

Fractal Design的最大责任限于本产品当前的市场价值（折旧价值，不包括运输、装卸和其他费用），Fractal Design概不对其他损害或损失（包括但不限于利润损失、收入、数据或偶然性或间接损害）承担责任，即使Fractal Design获知此类损害产生的可能性。

产品中有害物质的名称及含量

| 部件名称 | 有害物质   |        |        |              |            |              |
|------|--------|--------|--------|--------------|------------|--------------|
|      | 铅 (Pb) | 汞 (Hg) | 镉 (Cd) | 六价铬 (Cr(VI)) | 多溴联苯 (PBB) | 多溴二苯醚 (PBDE) |
| 金属外壳 | ○      | ○      | ○      | ○            | ○          | ○            |
| 电路板  | ○      | ○      | ○      | ○            | ○          | ○            |
| 外部线材 | ○      | ○      | ○      | ○            | ○          | ○            |
| 变压器  | ○      | ○      | ○      | ○            | ○          | ○            |
| 散热片  | ○      | ○      | ○      | ○            | ○          | ○            |
| 螺丝   | ○      | ○      | ○      | ○            | ○          | ○            |
| 风扇   | ○      | ○      | ○      | ○            | ○          | ○            |
| 塑胶元件 | ○      | ○      | ○      | ○            | ○          | ○            |

本表格依据SJ/T 11364的规定编制。

○：表示该有害物质在该部件所有均质材料中的含量均在GB/T 26572规定的限量要求以下。

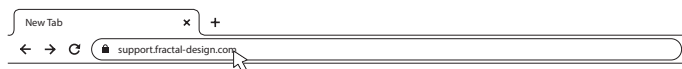
×：表示该有害物质至少在该部件的某一均质材料中的含量超出GB/T 26572规定的限量要求。

（企业可在此处，根据实际情况对表中打“×”的技术原因进行进一步说明）

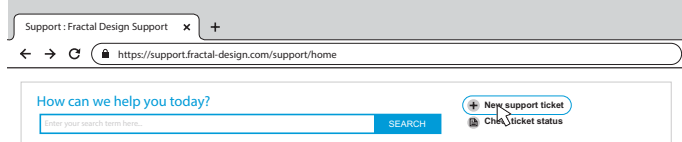


## 如需任何帮助，请通过以下方式与我们联系

### 1 访问“support.fractal-design.com”



### 2 点击“New support ticket”



### 3 请填写支持请求并提交

#### Submit a ticket

Requester

Type

Where are you from?

Product Category

Subject

Description of Problem   
 **B** / U / / / / /

## Säkerhetsföreskrifter

Läs igenom det här innan du börjar använda ditt nya nätaggregat, så minimerar du risken att något går fel.

- Öppna aldrig nätaggregatet. Dels är det förenat med livsfara och dels finns där inga komponenter du kan byta eller reparera.
- Använd endast nätaggregatet där det är torrt och säkert.
- Stoppa inte in något i fläktgrillen, ventilationen eller någon annanstans på nätaggregatet.
- Modifiera varken sladdar eller kontakter.
- Tvinga inte i kontakterna. De är konstruerade på ett sådant sätt att de bara passar in i avsett uttag. Är du hårdhänt kan du skada både nätaggregatet och enheten du försöker ansluta det till.

## Installation

Om du ersätter ett befintligt nätaggregat, fortsätt med **Sektion A**; annars, gå till **Sektion B**.

### Sektion A: Ta bort befintligt nätaggregat

1. Koppla ur alla strömsladdar från datorn och nätaggregatet.
2. Öppna chassit och koppla ur samtliga strömkablar från alla enheter.
3. Avlägsna det befintliga nätaggregatet från chassit.
4. Fortsätt med **Sektion B**.

### Sektion B: Installera nätaggregatet från Fractal Design

Anslut inte strömsladden till ditt nya nätaggregat förrän efter steg 5 nedan.

1. Följ instruktionerna i chassits manual för att montera nätaggregatet korrekt.
2. Anslut ATX 24-pin-kabeln till moderkortet.
3. Anslut ATX12V kabeln/kablarna till processor.
4. Anslut resterande enheter som grafikkort och lagringsenheter med för ändamålet avsedda kablar.
5. Anslut alla modulära strömkablar till nätaggregatet. Läs på etiketterna för att vara säkra på att koppla rätt.  
**OBS!** Använd endast de medskickade kablarna. Andra, icke godkända kablar eller ett hårdhänt handhavande kan ge upphov till permanenta skador.
6. Stäng chassit.
7. Anslut strömsladden och sätt på nätaggregatet genom att ställa POWER-knappen på baksidan i läget ON.

Grattis! Du har nu installerat ditt nya nätaggregat.

Nätaggregatet är nu i standby-läge och redo att börja arbeta när moderkortet säger till.

## Felsökning

### Datorn startar inte

Öppna chassit och kontrollera om standby-lampan på moderkortet lyser.

**OBS!** Ta hjälp av moderkortets manual för att hitta rätt LED-lampa.

### Om LED-lampan på moderkortet lyser

förser nätaggregatet moderkortet med standby-ström. Det finns flera vanliga anledningar till att datorn inte startar. Kontrollera följande innan du lämnar tillbaka nätaggregatet:

1. Sitter ATX12V-kablarna rätt? (Se moderkortets manual för hur de ska sitta.)
2. Är chassits power-knapp korrekt ansluten till moderkortet? (Se moderkortets manual.)  
*Testa att sammankoppla de två power-knapparna på moderkortet med reset-knappens kabel från chassit, och tryck på reset-knappen. Då märker du om chassits power-knapp fungerar som den ska.*
3. Koppla från allt utom nätaggregatet, systemminnet (RAM), processorn och processorkylare anslutna till moderkortet. Om datorn startar så, kan du successivt lägga till en enhet i taget och starta om för att ta reda på vilken det är som krånglar.
4. Anslut gärna nätaggregatet till en annan PC eller hårdvara för att utesluta andra fel.

### Om LED-lampan på moderkortet inte lyser

är det möjligt att moderkortet är trasigt eller att det inte får standby-ström från nätaggregatet. Kontrollera följande innan du lämnar tillbaka nätaggregatet:

1. Är strömsladden ansluten till såväl nätaggregat som ett fungerande eluttag? Kolla eluttaget med en annan enhet (en lampa, till exempel) för att säkerställa att det fungerar.
2. Är strömknappen på baksidan av nätaggregatet i ON-läget (markerat "I")?
3. Har du kopplat ur och sedan återanslutit moderkortets ATX-strömkablar?
4. Anslut härna nätaggregatet till ett annat moderkort för att vara säkra på om det är nätaggregatet eller moderkortet som inte fungerar som det ska.

### Datorn startar men stängs av direkt igen

Följ stegen i "Om LED-lampan på moderkortet lyser" ovan.



## Nätaggregatet väsnas

Alla våra nätaggregat är designade för att låta så lite som möjligt. Ett nätaggregat som är på är aldrig helt tyst, men ljudet bör nätt och jämnt kunna höras när chassit är stängt.

### Mekaniskt ljud / Fläktljud

Fläktar låter mer med tiden, och det är vanligen inte något som täcks av en garanti. Men om en fläkt är överdrivet högljud på ett nytt nätaggregat, bör du kontakta återförsäljaren omgående.

**OBS!** Med tiden kan dammansamlingar på fläktgrillen orsaka missljud – rengör gärna med komprimerad luft.

### Elektriskt brus / brummande / spoltjut

I allmänhet beror elektriskt brus på störningar mellan flera komponenter, som exempelvis nätaggregatet och VRM-modulerna på ett grafikkort. Ofta händer det bara under väldigt specifika omständigheter och kan åtgärdas av små anpassningar.

Här är några saker du kan försöka med innan du bestämmer dig för att returnera nätaggregatet till din återförsäljare:

- Energisparande åtgärder från processorn eller moderkortet, som C1E (Enhanced Halt State) och EIST (Enhanced Intel SpeedStep® Technology) kan orsaka den här typen av störningar – läs mer i moderkortsmanualen om vilka funktioner som stöds och hur du ändrar inställningarna.
- Drivrutinerna till ditt grafikkort (inklusive "vsync") kan också ligga bakom problemen. Läs i grafikkortets manual om hur du ändrar inställningarna.

Om ljudnivån fortfarande är hög efter att strömtillförseln justerats, är det ett garantiärende.

## Garantivillkor

Den här produkten har sju års (**84 månader**) garanti mot tillverkningsfel och materiella defekter. Under garantitiden kan Fractal Design välja att reparera eller byta ut produkten vid behov. Anspråk på garantin görs genom att skicka in produkten till återförsäljaren, porto betalt.

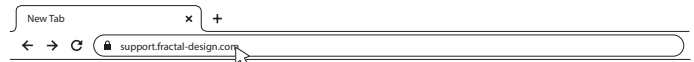
Garantin gäller inte:

- produkter som hyrts ut, hanterats ovarsamt eller använts fel.
- produkter som skadats av naturfenomen inklusive (men inte begränsat till) åsknedslag, eldscåda, översvämning eller jordbävning.
- produkter vars serienummer har skadats, ändrats eller avlägsnats.
- produkter som inte installerats som manualen föreskriver.
- produkter som använts med fel spänning.
- produkter som slutat fungera till följd av normalt slitage.

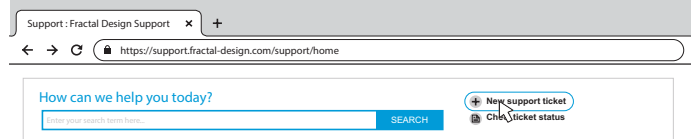
Fractal Designs garantiansvar begränsas av produktens marknadsvärde efter nedskrivningar, exklusiv frakt, hantering och andra avgifter. Fractal Design ansvarar inte för skador eller förluster som uppstått till följd av produktens nyttjande.

## För support

### 1 Gå till support.fractal-design.com



### 2 Klicka på "New support ticket"



### 3 Beskriv problemet och klicka på "Submit"

#### Submit a ticket

Requester

Type

Where are you from?

Product Category

Subject

Description of Problem   
 **B** / U

## Информация по технике безопасности

Следующая информация предоставлена для личной безопасности, безопасности компонентов и правильной работы блока питания:

- Никогда не вскрывайте корпус блока питания. Устройство может содержать опасные напряжения, и внутри нет компонентов для обслуживания пользователем.
- Используйте блок питания только в безопасной и сухой среде.
- Никогда не вставляйте предметы в решетку вентилятора или в открытые вентиляционные отверстия блока питания.
- Не модифицируйте кабели блока питания и/или разъемы.
- Не прилагайте особых усилий к разъемам. Каждый разъем имеет только ту форму, которая подходит для необходимого гнезда. Использование чрезмерной силы для подключения разъема в неподходящее гнездо приведет к повреждению как блока питания, так и подключенного устройства.

## Установка

Для замены установленного источника питания перейдите к разделу А; если нет, перейдите к разделу Б.

### Раздел А: Демонтаж существующего источника питания

1. Отсоедините шнур питания от компьютера и розетки.
2. Откройте корпус компьютера и отсоедините кабели питания от всех устройств.
3. Извлеките существующий источник питания из корпуса.
4. Ознакомьтесь с разделом Б.

### Раздел Б: Монтаж нового блока питания Fractal Design

Не подключайте шнур питания переменного тока к новому блоку питания не выполнив шаги с 1 по 5.

1. Установите блок питания в корпус компьютера – дальнейшие инструкции смотрите в руководстве к корпусу.
2. Подсоедините 24-контактный кабель ATX (ATX 24-pin) к материнской плате.
3. Подключите кабель(я) ATX12V к ЦП.
4. Подключите все оставшиеся устройства, такие как - графические карты, устройства хранения данных, с помощью соответствующего модульного кабеля(-ей) питания.
5. Подключите все модульные кабели питания к блоку питания с помощью разъемов с соответствующей маркировкой и соответствующим количеством контактов.  
**Внимание:** Используйте только кабели включенные в комплект, или кабели явно одобренные для использования с данным блоком питания. Смешивание кабелей или подключение разъемов в несовместимые гнезда может привести к необратимому повреждению.
6. Закройте корпус компьютера.
7. Подключите шнур питания переменного тока и переключите кнопку на задней панели блока питания в положение ON (ВКЛ. помечено «I»).

Поздравляем! Вы успешно установили свой новый блок питания. Блок питания теперь находится в режиме ожидания и готов к включению через управление материнской платой.

## Решение проблем Компьютер не запускается

Сначала откройте корпус компьютера и удостоверьтесь, что светится индикация режима ожидания на материнской плате.

**Замечание:** LED индикация может быть разной формы и находиться в разных местах на материнской плате - для получения более подробной информации обратитесь к руководству по материнской плате.

### Индикатор материнской платы ГОРИТ/ВКЛЮЧЕН

В этом случае блок питания обеспечивает материнскую плату необходимым питанием.

Есть несколько общих проблем, которые могут привести к тому, что он не включается. Пожалуйста, проверьте следующие пункты перед возвратом блока питания продавцу:

1. Убедитесь, что кабель(я) ATX12V подключены правильно - для получения более подробной информации обратитесь к руководству по материнской плате.
2. Убедитесь, что кабель питания для кнопки включения на корпусе правильно подключен к материнской плате - для получения более подробной информации обратитесь к руководству по материнской плате.  
*В качестве проверки можно подключить два контакта «Кнопка питания» (Power Button) на материнской плате к кабелю кнопки «Сброса» (Reset) от корпуса, затем нажмите кнопку «Сброса». Это подтвердит, работает ли кнопка питания на корпусе правильно.*
3. Отключите все второстепенные устройства. Оставьте подключенным - БП, системную память (RAM), ЦП и ЦПУ-кулер подключенными к материнской плате. Если компьютер запускается в этой конфигурации, переподключите другие компоненты один за другим, чтобы определить неисправное устройство.
4. Если возможно, подключите данный блок питания к другому ПК или набору оборудования, чтобы проверить, сохраняется ли проблема.

### Индикатор материнской платы НЕ ГОРИТ/ВЫКЛЮЧЕН

В этом случае материнская плата возможно неисправна или не получает питания при подключенном блоке питания. Пожалуйста, проверьте следующие пункты перед возвратом блока питания продавцу:

1. Убедитесь, что основной шнур питания подключен как к источнику питания и находится под напряжением. Проверьте электрическую розетку с помощью любой лампы накаливания, чтобы убедиться, что розетка обеспечивает питание.
2. Убедитесь, что переключатель на задней панели блока питания находится в положении ON (ВКЛ. помечено «I»).
3. Отсоедините и снова подключите кабели питания ATX, подключенные к материнской плате.
4. Если возможно, подключите текущий блок питания к другой материнской плате, чтобы проверить, неисправен ли блок питания или материнская плата.

### Компьютер включается, но затем сразу выключается

Смотрите действия по устранению неполадок, указанные в разделе «Индикатор материнской платы горит/включен» выше.

## Блок питания шумит

Высоким приоритетом разработки Fractal Design было создание всех источников питания с низким уровнем шума. Блоки питания, как правило, никогда не бывают полностью бесшумными, однако при закрытом корпусе компьютера шум блока питания едва заметен.

### Механический шум / шум вентилятора

Вентиляторы, как правило, становятся громче со временем использования, и это, как правило, не является причиной претензии по гарантии. Тем не менее, если вентилятор чрезмерно шумит на совершенно новом источнике питания, пожалуйста, свяжитесь с продавцом.

**Замечание:** Со временем пыль может скапливаться на решетке вентилятора и создавать помехи и шум - очистите пылевые накопления, используя баллончик со сжатым воздухом.

### Электрический шум / гудение / высокочастотный свист катушки

Как правило, электрический шум вызывается суммой помех от взаимодействия между несколькими компонентами, например, между источником питания и модулями VRM на графической карте. Однако этот шум может возникать только при определенных сочетаниях нагрузки и часто может быть уменьшен путем внесения некоторых изменений в нагрузку.

Пожалуйста, попробуйте изменить некоторые настройки, прежде чем возвращать источник питания продавцу:

- Функции энергосбережения процессора и материнской платы, такие как C1E (Enhanced Halt State) и EIST (Enhanced Intel SpeedStep® Technology) - обратитесь к руководству по материнской плате для получения дополнительной информации о том, какие функции поддерживает материнская плата и как изменить их настройки.
- Параметры драйвера графической карты, включая параметр «vsync» - обратитесь к руководству по графической карте для получения инструкций по изменению этих настроек.

Если уровень шума не снижается после изменения и настройки параметров мощности нагрузки, Fractal Design считает, что громкий электрический может являться приемлемой причиной для претензии по гарантии.

## Ограниченная гарантия и ограничение ответственности

На этот продукт предоставляется гарантия в течение **84 месяцев** с даты поставки конечному пользователю от дефектов материалов и/или изготовления. В течение этого ограниченного гарантийного срока изделие будет либо отремонтировано, либо заменено по усмотрению компании Fractal Design. Претензии по гарантии должны быть возвращены компании, которая продала продукт, с предоплатой доставки.

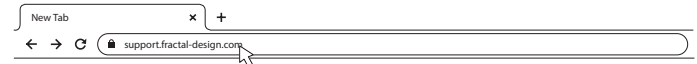
Эта гарантия не распространяется на:

- Продукты, которые использовались для сдачи в аренду, использовались ненадлежащим образом, использовались небрежно или применялись таким образом, который не соответствует предполагаемому использованию.
- Продукты, поврежденные в результате стихийного бедствия, включая, помимо прочего, молнию, пожар, наводнение и землетрясение.
- Продукты, наклейки с серийным номером которые были изменены, нарушены или удалены.
- Продукты, которые использовались и не были установлены в соответствии с руководством пользователя.
- Продукты, которые работали выше или ниже номинального напряжения.
- Изделия, поврежденные в результате износа при нормальном использовании

Максимальная ответственность Fractal Design ограничена текущей рыночной стоимостью продукта (остаточная стоимость, исключая доставку, обработку и другие сборы). Fractal Design не несет ответственности за любой другой ущерб или убытки, включая, помимо прочего, упущенную выгоду, доход, или данные, или случайный или косвенный ущерб, даже если Fractal Design был уведомлен о возможности таких убытков.

## Для получения квалифицированной помощи, пожалуйста обратитесь:

### 1 Зайдите на сайт “support.fractal-design.com”



### 2 Нажмите “New support ticket”



### 3 Заполните все необходимые поля и отправьте заявку

#### Submit a ticket

|                        |  |
|------------------------|--|
| Requester              | <input type="text" value="Email"/>             |
| Type                   | <input type="text"/>                           |
| Where are you from?    | <input type="text"/>                           |
| Product Category       | <input type="text"/>                           |
| Subject                | <input type="text"/>                           |
| Description of Problem | <input type="text" value="B / I U ≡ ≡ Δ A ↻"/> |

## Bezpečnostní informace

Následující informace jsou určeny pro osobní bezpečnost, bezpečnost komponentů a správný provoz PSU:

- Nikdy neotevírejte kryt PSU. Zdroj může vybijet nebezpečné napětí a uvnitř nejsou žádné komponenty, jejichž servis by mohl provést uživatel.
- PSU provozujte pouze v bezpečném a suchém prostředí.
- Nikdy nezasunujte předměty do mřížky ventilátoru, ani neotevírejte větrací prostory PSU.
- Neupravujte kabely a/nebo konektory zdroje.
- Konektory nezapojujte silou. Každý konektor je tvarován tak, aby ho bylo možné zasunout pouze do správné zásuvky. Použití nadměrné síly k zasunutí konektoru do nekompatibilní zásuvky způsobí poškození jak PSU, tak připojeného zařízení.

## Instalace

V případě výměny stávajícího zdroje pokračujte v části A; pokud tomu tak není, přejděte k části B.

### Část A: Vyměnění stávajícího zdroje

1. Odpojte napájecí kabel z počítače i ze zásuvky.
2. Otevřete kryt počítače a napájecí kabely odpojte od všech zařízení.
3. Vyměňte stávající zdroj ze skříně.
4. Pokračujte v části B.

### Část B: Instalace nového zdroje Fractal Design

Napájecí kabel nezapojujte do nového zdroje, dokud neprovedete kroky 1 až 5.

1. Zdroj namontujte do počítačové skříně – další pokyny viz návod k počítačové skříně.
2. Do základní desky zapojte kabel ATX 24-pin.
3. Do CPU zapojte kabel(y) ATX12V.
4. Zapojte všechna ostatní zařízení jako jsou grafické karty a disky, použijte vhodně modulární napájecí kabely.
5. Do PSU zapojte všechny modulární napájecí kabely s použitím označených konektorů a s odpovídajícím počtem kolíků.

**Poznámka:** Používejte pouze kabely, které jsou součástí balení nebo kabely výslovně schválené k použití s vaším zdrojem. Použití nevhodných kabelů nebo násilné zapojování konektorů do nekompatibilních zásuvek může mít za následek trvalé poškození.

6. Zavřete PC skříně.
7. Zapojte napájecí kabel a spínač na zadní části PSU přepněte do pozice ON (zapnuto).

Blahopřejeme! Úspěšně jste nainstalovali nový zdroj. Zdroj je nyní v pohotovostním režimu a připraven k zapnutí prostřednictvím ovládní základní desky.

## Odstraňování problémů

### Počítač se nespustí

Nejprve otevřete kryt počítače a zkontrolujte, zda na základní desce svítí kontrolka pohotovostního režimu LED.

**Poznámka:** Kontrolka LED může mít různé tvary a může být na různých místech základní desky – více informací viz návod k základní desce.

#### Kontrolka LED na základní desce je ZAPNUTÁ

V takové případě zdroj přivádí do základní desky napájení v pohotovostním režimu. To, že se nezapne, může způsobit několik běžných problémů. Než budete zdroj reklamovat u prodejce, zkontrolujte následující:

1. Ujistěte se, že je (jsou) kabel(y) ATX12V zapojeny správně – podrobnosti naleznete v návodu k použití základní desky.
2. Zkontrolujte, zda je kabel od tlačítka pro zapnutí skříně správně zapojen k základní desce – podrobnosti naleznete v návodu k použití základní desky.  
*Jako test připojte dva kolíky „napájecího tlačítka“ na základní desce ke kabelu od reset tlačítka na PC skříně, potom stiskněte tlačítko resetu. Tak se potvrdí, zda tlačítko funguje správně či ne.*
3. Odpojte všechna neúležitá zařízení. Ponechte zdroj, systémovou paměť (RAM), CPU a chladič CPU zapojený k základní desce. Pokud se počítač v této konfiguraci spustí, postupně zapojte ostatní komponenty, abyste identifikovali vadné zařízení.
4. Je-li to možné, zapojte PSU do jiného PC nebo hardwarové sadě a zkontrolujte, zda problémem přetrvává.

#### Kontrolka LED na základní desce VYPNUTÁ

V takovém případě může být základní deska vadná nebo nedostává pohotovostní napájení ze zdroje. Než budete zdroj jako vadný reklamovat prodejci, zkontrolujte prosím následující:

1. Ujistěte se, že napájecí kabel je zapojen jak ke zdroj, tak k živému zdroji napájení. Napájení vyzkoušejte pomocí jiného elektrického zařízení, například lampy.
2. Zkontrolujte, zda je spínač na zadní části zdroje v pozici ON (ZAP). (označeno „I“).
3. Odpojte a znovu zapojte napájecí kabely ATX připojené k základní desce.
4. Je-li to možné, zapojte PSU k jiné základní desce a vyzkoušejte, zda je vadný zdroj nebo základní deska.

#### Počítač se zapne, ale ihned se vypne

Viz stejné kroky odstraňování problémů jako v části „Kontrolka LED na základní desce je ZAPNUTÁ“.

## Zdroj je hlučný

Všechny napájecí zdroje Fractal Design byly vyvinuty s důrazem na nízkou úroveň hluku. Napájecí zdroje nejsou obvykle úplně tiché, ale hluk ze zdroje by měl být při uzavření počítačové skříně sotva patrný.

### Mechanický hluk/Hluk ventilátoru

V průběhu času se ventilátory zpravidla stávají hlučnějšími, a není to důvod pro uplatnění záruky. Nicméně v případě hluku u nového zdroje, kontaktujte prosím prodejce.

**Poznámka:** V průběhu času může dojít k hromadění prachu na mřížce ventilátoru, a tím ke vzniku nadměrného hluku – nahromaděný prach odstraňte pomocí stlačeného vzduchu.

### Elektrický šum / bzučení / pískání cívky

Obvykle je elektrický šum způsoben součtem rušení z interakcí mezi několika součástmi, jako například mezi napájecím zdrojem a moduly VRM na grafické kartě. K tomuto hluku však může dojít pouze při určitých kombinacích zátěže a často jej lze zmírnit drobnými změnami výkonu.

Než budete zdroj reklamovat u prodejce, zkuste změnit následující nastavení:

- Funkce úspory energie procesoru a základní desky, například C1E (Enhanced Halt State) a EIST (Technologie Enhanced Intel SpeedStep®) - další podrobnosti o funkcích, které základní deska podporuje, a jak změnit jejich nastavení, najdete v příručce k základní desce.
- Možnosti ovladače grafické karty, včetně možnosti „vsync“ - pokyny ke změně těchto nastavení naleznete v příručce ke grafické kartě.

Pokud se hladina hluku po úpravě nastavení zátěže nesníží, společnost Fractal Design považuje hlasitý elektrický šum za přijatelný důvod k reklamaci.

## Omezená záruka a omezení odpovědnosti

Tento produkt má záruku na vadu materiálu a/nebo zpracování 84 měsíců od data doručení koncovému uživateli. V rámci tohoto omezeného záručního období bude produkt buď opraven nebo vyměněn na náklady společnosti Fractal Design. Záruka musí být uplatněna u prodejce, který produkt prodal, s předplacenou přepravou k prodejci.

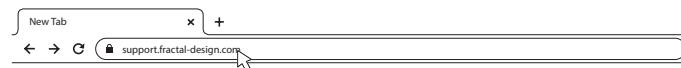
Tato záruka nezahrnuje:

- Výrobky, které byly použity k pronajímání, nevhodně užívány, bylo s nimi nedbale manipulováno nebo byly použity způsobem, který není v souladu s jeho určeným použitím.
- Produkty poškozené vyšší mocí, včetně, ale nejen, blesku, požáru, povodně a zemětřesení.
- Produkty, jejichž sériové číslo na nálepce bylo upraveno nebo odstraněno.
- Produkty, které nebyly instalovány v souladu s návodem k použití.
- Produkty, které byly provozovány nad nebo pod nominálním napětím.
- Produkty poškozené opotřebením z normálního použití.

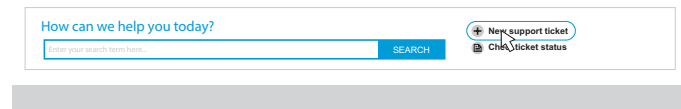
Maximální zodpovědnost společnosti Fractal Design je omezena na aktuální tržní hodnotu produktu (amortizovaná hodnota, bez nákladů na dopravu, manipulaci a ostatních poplatků), společnost Fractal Design nenese zodpovědnost za ostatní škody nebo ztráty, včetně, ale nejen ztráty zisku, obrátu nebo dat nebo náhodné či následné poškození, i v případě, že společnost Fractal Design byla o možnosti takových škod informována.

## V případě, že potřebujete pomoc, kontaktujte nás

### 1 Přejděte na „support.fractal-design.com“



### 2 Klikněte na „Nový lístek podpory“



### 3 Lístek vyplňte a odešlete

#### Submit a ticket

|                        |  |
|------------------------|--|
| Requester              | <input type="text" value="Email"/>   |
| Type                   | <input type="text" value=""/>  |
| Where are you from?    | <input type="text" value=""/>  |
| Product Category       | <input type="text" value=""/>  |
| Subject                | <input type="text" value=""/>  |
| Description of Problem | <p><b>B</b> / <u>U</u> / <b>≡</b> / <b>≡</b> / <b>A</b> / <b>X</b> / <b>↺</b></p> <input type="text"/> |

## Informații Privind Siguranța

Următoarele informații sunt oferite pentru siguranța personală, siguranța componentelor și funcționarea corectă a PSU:

- Nu deschideți niciodată carcasa PSU. Unitatea poate descărca tensiune periculoasă și înăuntrul ei există componente care pot fi reparate de utilizator.
- Folosiți PSU numai în medii sigure și uscate.
- Nu introduceți niciodată obiecte în grilajul ventilatorului sau în zonele de ventilare ale PSU.
- Nu modificați cablurile și/sau conectorii PSU.
- Nu forțați conectorii. Fiecare conector are o formă care îi permite să se potrivească numai când este introdus în mufa corectă. Folosirea forței excesive pentru a introduce un conector într-o mufă incompatibilă va cauza deteriorarea PSU și a dispozitivului conectat.

## Instalare

Dacă înlocuiți o unitate de alimentare cu curent existentă, continuați cu Partea A; dacă nu, treceți la Partea B.

### Partea A: Îndepărtarea unității PSU existente

1. Deconectați cablul de alimentare de la computer și de la priză.
2. Deschideți carcasa computerului și deconectați cablurile de alimentare de la toate dispozitivele.
3. Scoateți unitatea PSU existentă din carcasă.
4. Continuați cu Secțiunea B.

### Partea B: Instalarea noii unități PSU Fractal Design

Nu conectați cablul de alimentare AC la noua unitate PSU înainte de a parcurge pașii de la 1 la 5.

1. Montați unitatea PSU în carcasa computerului – consultați manualul carcasei pentru instrucțiuni suplimentare.
2. Conectați cablul ATX cu 24 de pini la placa de bază.
3. Conectați cablul sau cablurile ATX12V la CPU.
4. Conectați toate celelalte dispozitive, precum plăcile grafice și dispozitivele de stocare, folosind cablurile de alimentare modulare corespunzătoare.
5. Conectați toate cablurile de alimentare modulare la PSU folosind conectorii etichetați corespunzător cu numărul corespunzător de pini.

**Notă:** Folosiți numai cablurile incluse sau cablurile aprobate în mod explicit pentru a fi utilizate cu unitatea dvs. PSU. Combinarea cablurilor sau forțarea conectorilor în mufe incompatibile poate duce la deteriorare permanentă.

6. Închideți carcasa computerului.
7. Conectați cablul de alimentare AC și comutați butonul de pe spatele unității PSU la poziția ON (Pornit).

Felicitări! Ați instalat cu succes noua dvs. unitate PSU. Unitatea PSU este acum în modul standby și gata să fie pornită prin intermediul controlului de pe placa de bază.

## Depanare Computerul nu pornește

Mai întâi, deschideți carcasa computerului și verificați dacă LED-ul de standby de pe placa de bază este aprins.

**Notă:** LED-ul poate avea diferite forme și se poate afla în diverse poziții pe placa de bază – consultați manualul plăcii de bază pentru mai multe detalii.

### LED-ul de pe placa de bază este ON (aprins)

În acest caz, unitatea PSU furnizează plăcii de bază putere în modul standby. Există mai multe probleme comune care pot face ca acesta să nu pornească. Verificați următoarele înainte de a returna unitatea PSU la punctul de vânzare:

1. Asigurați-vă că toate cablurile ATX12V sunt conectate corect – consultați manualul plăcii de bază pentru mai multe detalii.
2. Asigurați-vă că este corect conectat cablul butonului de pornire al carcasei pe placa de bază – consultați manualul plăcii de bază pentru mai multe detalii.  
*În scop de testare, conectați cei doi pini „Power Switch” de pe placa de bază la cablul butonului de resetare, apoi apăsați pe butonul de resetare. Acest lucru va indica dacă butonul de alimentare al carcasei funcționează corect sau nu.*
3. Deconectați toate dispozitivele neesențiale. Lăsați conectate unitatea PSU, memoria de sistem (RAM), CPU și răcirea CPU conectate la placa de bază.  
În cazul în care computerul pornește în această configurație, reconectați celelalte componente una câte una, pentru a identifica dispozitivul defect.
4. Dacă este posibil, conectați unitatea PSU la un PC sau un set hardware diferit pentru a verifica dacă problema persistă.

### LED-ul de pe placa de bază este OFF (stins)

În acest caz, este posibil ca placa de bază să fie defectă sau să nu primească putere în modul standby de la PSU. Verificați următoarele aspecte înainte de a presupune că unitatea PSU este defectă și de a o returna la punctul de vânzare:

1. Asigurați-vă că alimentarea de la rețea este corectă, cablul de alimentare sa fie conectat atât la unitatea PSU, cât și la o sursă de alimentare activă. Verificați priza electrică cu un alt dispozitiv electric, precum o lampă, pentru a vă asigura că furnizează putere.
2. Asigurați-vă că butonul de pornire de pe spatele unității PSU se află în poziția ON (Pornit) (marcată cu „I”).
3. Deconectați și reconectați cablurile de alimentare ATX atașate la placa de bază.
4. Dacă este posibil, conectați unitatea PSU la o altă placă de bază pentru a o încerca și pentru a verifica dacă unitatea PSU sau placa de bază este defectă.

### Computerul pornește, dar se oprește imediat

Consultați aceiași pași de depanare ca pentru secțiunea „LED-ul de pe placa de bază este ON (aprins)” de mai sus.

## Sursa de alimentare este zgomotoasa

Una din prioritățile de top în dezvoltarea unităților de alimentare cu curent Fractal Design este obținerea unor niveluri reduse de zgomot. De obicei, unitățile PSU nu sunt complet silențioase, însă zgomotul de la unitatea PSU ar trebui să fie abia perceptibil atunci când carcasa computerului este închisă.

### Zgomot mecanic/zgomot de la ventilator

Pe măsură ce trece timpul și se uzează, ventilatoarele sunt mai zgomotoase și, de obicei, acesta nu este un motiv obișnuit pentru revendicarea garanției. Totuși, dacă ventilatorul este excesiv de zgomotos la o unitate de alimentare nou-ouă, contactați vânzătorul.

**Notă:** *Lîn timp, se poate acumula praf pe grilașul ventilatorului și ceea ce poate duce la producerea de zgomot excesiv. Curățați acumularea de praf cu un recipient de aer comprimat.*

### Zgomot electric/ bătăit /zgomot de la bobină

De obicei, zgomotul electric este cauzat de suma interferențelor cauzate de interacțiunile dintre mai multe componente, cum ar fi dintre alimentarea electrică și modulele VRM de pe o placă grafică. Totuși, acest zgomot poate apărea numai în cazul combinațiilor cu o anumită încărcare și poate fi adesea redus prin efectuarea de mici modificări la încărcarea electrică.

Încercați să modificați următoarele setări înainte de a returna unitatea de alimentare electrică la punctul de vânzare:

- Caracteristicile de economisire a energiei CPU și ale plăcii de bază, precum C1E (Enhanced Halt State - Stare de oprire îmbunătățită) și EIST (Enhanced Intel SpeedStep® Technology - Tehnologie Intel SpeedStep® îmbunătățită) – consultați manualul plăcii de bază pentru mai multe detalii despre caracteristicile acceptate de placa de bază și despre cum le puteți schimba setările.
- Opțiunile driverului plăcii grafice, inclusiv opțiunea „vsync” – consultați manualul plăcii grafice pentru instrucțiuni despre cum puteți schimba aceste setări.

Dacă nivelul de zgomot nu se reduce după ajustarea setărilor încărcării electrice, Fractal Design consideră că acesta este un motiv acceptabil pentru revendicarea garanției.

## Garanție Limitată Și Limitarea Răspunderii

Acest produs este garantat pentru 84 de luni de la data livrării utilizatorului final, împotriva defectelor materiale și/sau de manoperă. În această perioadă de garanție limitată, produsul va fi reparat sau înlocuit, la discreția Fractal Design. Revendicările de garanție trebuie returnate la agentul care a vândut produsul, cu expediere preplătită.

Această garanție nu acoperă:

- Produsele care au fost folosite pentru închiriere, folosite greșit, manipulate neglijent sau utilizate într-un mod necorespunzător cu destinația de utilizare specificată.
- Produsele deteriorate în urma unui eveniment natural, precum, fără limitare, fulger, incendiu, inundație și cutremur.
- Produsele ale căror autocolante cu numărul de serie au fost modificate sau îndepărtate.
- Produsele care nu au fost instalate conform manualului de utilizare.
- Produsele care au fost utilizate peste sau sub tensiunea nominală.
- Produsele deteriorate în urma uzurii normale.

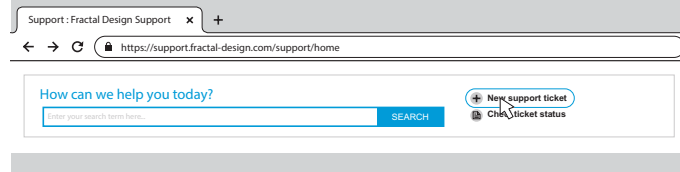
Răspunderea maximă a companiei Fractal Design se limitează la valoarea de piață actuală a produsului (valoarea amortizată, fără expediere, manipulare și alte taxe). Fractal Design nu va răspunde pentru nicio altă daună sau pierdere, inclusiv dar fără a se limita la, pierdere de profit, venituri, date sau daune accidentale ori secundare, chiar dacă Fractal Design fusese notificată cu privire la posibilitatea unor astfel de daune.

## Pentru Asistență, Contactați

### 1 Accesați „support.fractal-design.com”



### 2 Faceți clic pe „New support ticket” (Tichet de asistență nou)



### 3 Completați tichetul și apăsați butonul „Submit”.

#### Submit a ticket

|                        |   |
|------------------------|---|
| Requester              | <input type="text" value="Email"/>  |
| Type                   | <input type="text" value=""/>   |
| Where are you from?    | <input type="text" value=""/>   |
| Product Category       | <input type="text" value=""/>   |
| Subject                | <input type="text" value=""/>   |
| Description of Problem | <div><p><b>B</b> <i>I</i> <u>U</u> <b>≡</b> <b>≡</b> <b>≡</b> <b>≡</b> <b>≡</b> <b>≡</b> <b>≡</b></p><input type="text"/></div> |

## Информация, свързана с безопасността

Следната информация се предоставя, за да се осигури лична безопасност, правилно използване на захранващия блок (PSU) и да се предотврати повреда на компонентите:

- Никога не отваряйте корпуса на захранващия блок (PSU). Модулът може да пусне ток с опасно напрежение, а и в него няма компоненти, които могат да се обслужват от потребителя.
- Използвайте захранващия блок (PSU) само в безопасна и суха среда.
- Никога не пъхайте предмети в решетката на вентилатора или в отвореното пространство за вентилация на захранващия блок (PSU).
- Не модифицирайте кабелите и/или конекторите на захранващия блок (PSU).
- Не използвайте сила при свързване на конекторите. Всеки конектор е с форма, която позволява свързване само в правилното гнездо. Използване на прекомерна сила, за да се свърже конектор в несъответстващо гнездо може да доведе до повреда на захранващия блок (PSU) и свързаното устройство.

## Монтаж и инсталиране

Ако замените друг захранващ блок, продължете към раздел А, ако не, преминете към раздел Б.

### Раздел А: Демонтаж на захранващия блок (PSU) за смяна

1. Разкачете захранващия кабел от компютъра и от електрическия контакт.
2. Отворете кутията на компютъра и разкачете захранващите кабели от всички компоненти.
3. Свалете монтирания захранващ блок (PSU) от кутията.
4. Продължете с раздел Б.

### Раздел Б: Монтаж и инсталиране на новия захранващ блок (PSU) от Fractal Design

Не свързвайте захранващия AC кабел към новия захранващ блок, преди за завършите стъпки от 1 до 5 включително.

1. Монтирайте захранващия блок (PSU) в компютърната кутия (проверете в ръководството на компютърната кутия за повече инструкции).
2. Свържете кабела с 24-пиновия ATX конектор към съответстващото гнездо на дънната платка.
3. Свържете кабела с 12V ATX конектор към гнездото за захранване на процесора (CPU).
4. Свържете всички други компоненти и устройства, напр. видеокарти и устройства за съхранение на данни, със съответните модулни захранващи кабели.
5. Свържете всички модулни захранващи кабели към захранващия блок (PSU), като използвате конекторите със съответния брой пинове и означения. **Важно!** Използвайте само включените в комплекта кабели или кабели, които са специално одобрени за използване със захранващия блок (PSU). Използването на неподходящи кабели или поставяне със сила на конектори в несъответстващи гнезда може да доведе до сериозни повреди.
6. Затворете компютърната кутия.
7. Свържете захранващия AC кабел към електрическата мрежа и натиснете бутон на задната част на захранващия блок (PSU) в позиция ВКЛ.

Поздравления! Успешно инсталирахте новия захранващ блок (PSU). Сега той е в режим на готовност и може да подава захранване чрез управление от дънната платка.

## Отстраняване на неизправности

### Компютърът не се включва

Първо отворете компютърната кутия и проверете дали светодиодният (LED) индикатор за готовност на дънната платка свети.

**Важно!** LED индикаторът може да бъде с различна форма и на различно място в зависимост от дънната платка. Вижте ръководството на дънната платка за повече информация.

### LED индикаторът на дънната платка е ВКЛ.

В този случай захранващият блок (PSU) подава захранване към дънната платка в режим на готовност. Има няколко често срещани проблема, поради които компютърът може да не се включи. Моля, проверете следното, преди да върнете захранващия блок (PSU) на продавача.

1. Уверете се, че 12V ATX кабел(и) е(са) свързан(и) правилно. Проверете в ръководството на дънната платка за повече информация.
2. Уверете се, че кабелът на бутона за захранване на кутията е свързан правилно към дънната платка. Проверете в ръководството на дънната платка за повече информация. За проверка свържете двата пина на дънната платка за бутона за захранване с кабелите на бутон за рестартиране на кутията и след това натиснете бутон за рестартиране. Така можете да проверите дали бутонът за захранване на кутията работи правилно.
3. азкачете всички допълнителни устройства, които не са абсолютно необходими за стартиране на компютъра. Оставете само захранващия блок (PSU), оперативната памет (RAM), процесорът (CPU) и вентилаторът на охладителя на процесора, свързан към дънната платка. Ако компютърът стартира в тази конфигурация, свържете отново останалите компоненти един по един, за да определите кое е повредено устройство.
4. Ако е възможно, свържете захранващия блок към друг персонален компютър или хардуер, за да проверите дали проблемът продължава.

### LED индикаторът на дънната платка е ИЗКЛ.

В този случай дънната платка може да е повредена или да не получава захранване от захранващия блок (PSU). Моля, проверете следното преди да заключите, че захранващият блок (PSU) е дефектен и да го върнете на продавача.

1. Уверете се, че захранващият кабел към електрическата мрежа е свързан към работещ източник на захранване. Проверете контакта, като включите в него друго електрическо устройство, например лампа, за да се уверите, че подава захранване.
2. Уверете се, че ключът в задната част на захранващия блок (PSU) е в положение ВКЛ. (означено с "I").
3. Разкачете и свържете отново захранващите ATX кабели към дънната платка.
4. Ако е възможно, свържете захранващия блок (PSU) към друга дънна платка и се опитайте да установите дали захранващият блок (PSU) или дънната платка е дефектна.

### Компютърът се включва, но веднага след това се изключва

Вижте и изпълнете стъпките за откриване и отстраняване на проблеми в секцията "LED индикаторът на дънната платка е ВКЛ." по-горе.



## Захранващият блок е шумен

Един от основните приоритети при разработването на всички захранващи блокове с марката Fractal Design е осигуряването на ниски нива на шум. Захранващите блокове (PSU) никога не са напълно безшумни, но звукът от захранващия блок трябва да бъде едва доловим при затворена компютърна кутия.

### Механичен шум / шум от вентилатора

Вентилаторите по принцип започват да работят по шумно с времето и с износването, но това обикновено не е основание за претенции по гаранцията. Независимо от това, ако вентилаторът на чисто нов захранващ блок (PSU) е твърде шумен, моля, свържете се с продавача.

**ВАЖНО!** С времето може да се натрупа прах по решетката на вентилатора и да доведе до необичайно шумна работа. Почистете натрупания прах, като използват флакон със сгъстен въздух.

### Електрически шум, бръмчене / жужене на намотки

Обикновено електрическият шум се предизвиква от общите смущения, дължащи се на взаимодействието на много компоненти, например между захранващия блок и VRM модулите на видеокартата. Въпреки това този вид шум би трябвало да появява само при определени комбинации от натоварване и често може да се елиминира или намали с малки промени на натоварването върху захранването.

Моля, опитайте следните настройки, преди да върнете захранващия блок на продавача:

- нергоспестяващи функции на процесора и дънната платка, например C1E (Enhanced Halt State) и EIST (Enhanced Intel SpeedStep® Technology) – направете справка с ръководството на дънната платка за повече информация кои опции се поддържат от нея и как да промените настройките им.
- Опции в драйверите на видеокартата, включително опцията "vsync" – направете справка с ръководството на видеокартата за инструкции как да промените тези настройки.

Ако нивото на шум не намалее след като регулирате настройките за натоварване на захранването, Fractal Design счита високото ниво на електрически шум за достатъчно основание за предявяване претенции по гаранцията.

## Ограничения на гаранцията и ограничения на отговорността

Този продукт се предоставя с гаранция срещу дефекти в материала и/или изработката от **84 месеца**, считано от датата на доставка на крайния потребител. В този ограничен гаранционен период продуктът ще бъде заменен или ремонтиран по избор на Fractal Design. Претенциите по гаранцията трябва да бъдат предявени посредством връщане на продукта на продавача с предплатени пощенски разходи.

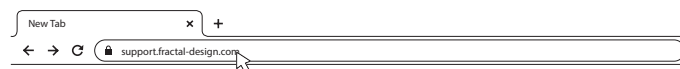
Тази гаранция не покрива:

- Продукти, които не са използвани за целите, за които са предоставени, не са използвани правилно, използвани са без необходимата грижа, или са използвани по начин, който е в разрез с тяхното обявено предназначение.
- Продукти, повредени от природни стихии, включително, но не само от мълния, пожар, наводнение и земетресение.
- Продукти, чийто стикер със сериен номер е премахнат, променен, не е цял или бил свален и поставен отново.
- Продукти, които не са инсталирани в съответствие с ръководството за потребителя.
- Продукти, които са работели под или над определеното номинално напрежение.
- Продукти, които са повредени в резултат на изхабяване или износване в резултата на нормална употреба.

Максималната отговорност на Fractal Design е ограничена до актуалната пазарна стойност на продукта (стойността с обезценяването и без пощенски разходи, такси за обработка и други такси), като Fractal Design не носи отговорност за други вреди или щети, включително за загуба на печалба, приходи, данни или за преки и косвени щети, дори ако Fractal Design е уведомен за възможността от възникването им.

## За съдействие, моля, използвайте следната информация за връзка:

### 1 Отворете страницата support.fractal-design.com.



### 2 Щракнете върху New support ticket (Нова заявка за поддръжка).



### 3 Попълнете заявката и я изпратете.

#### Submit a ticket

|                        |                                    |
|------------------------|------------------------------------|
| Requester              | <input type="text" value="Email"/> |
| Type                   | <input type="text" value=""/>      |
| Where are you from?    | <input type="text" value=""/>      |
| Product Category       | <input type="text" value=""/>      |
| Subject                | <input type="text" value=""/>      |
| Description of Problem | <input type="text" value=""/>      |

## Biztonsági információk

*Az alábbi információk célja a személyes biztonság, a komponensek biztonságának, illetve a tápegység megfelelő működésének a biztosítása:*

- Soha ne nyissa fel a tápegység dobozát. Az egység veszélyes feszültséget adhat le, és nem tartalmaz a felhasználó által javítható alkatrészeket.
- A tápegységet csak biztonságos, száraz környezetben működtesse
- Soha ne helyezzen be tárgyakat a tápegység ventilátorrácsai közé vagy a nyitott szellőzési területekbe.
- Ne módosítsa a tápegység kábeleit és/vagy csatlakozóit.
- Ne erőltesse a csatlakozókat. Minden csatlakozó úgy van kialakítva, hogy csak a megfelelő bemenetbe illeszkedjen. Ha egy csatlakozót nem kompatibilis bemenetbe próbál beleerőltetni, az károsítja a tápegységet és a csatlakoztatott készüléket is.

## Telepítés

*Ha egy korábbi tápegységet cserél, folytassa az A. fejezettel, ha nem, lépjen a B. fejezetre.*

### A. fejezet: A meglévő tápegység eltávolítása

1. Csatlakoztassa le a tápkábelt a számítógépről és az áramhálózatról.
2. Nyissa fel a számítógépházat, és csatlakoztassa le a tápkábeleket az összes eszköztől.
3. Vegye ki a házból a meglévő tápegységet.
4. Lépjen a B. fejezetre

### B. fejezet: Az új Fractal Design tápegység behelyezése

*Csak azt követően csatlakoztassa a tápkábelt az új tápegységhez, hogy elvégezte az 1-5. lépéseket*

1. Helyezze be a tápegységet a számítógépházba - további utasításokat a ház kézikönyvében talál.
  2. Csatlakoztassa az alaplaphoz az ATX 24 tűs kábelt.
  3. Csatlakoztassa a CPU-hoz az ATX12V-os kábel(eke)t.
  4. A megfelelő moduláris tápkábelell csatlakoztasson minden más eszközt, például videókártyákat és tárolóeszközöket.
  5. A megfelelő címkéjű csatlakozókat a megfelelő számú tűhöz illetve csatlakoztasson minden moduláris tápkábelt a tápegységhez.
- Megjegyzés:** Csak a mellékelt kábeleket vagy a tápegységéhez kifejezetten jóváhagyott kábeleket használjon. Más kábelek használata vagy a csatlakozók beleerőltetése nem kompatibilis bemenetekbe helyrehozhatatlan károkat okozhat.

6. Zárja le a számítógépházat.
7. Csatlakoztassa a tápkábelt, és kapcsolja a tápegység hátoldalán lévő kapcsolót BE helyzetbe.

Gratulálunk! Sikeresen telepítette a tápegységet. A tápegység készenléti módban van, az alaplapról bekapcsolható.

## Hibaelhárítás

### A számítógép nem indul

Először nyissa fel a számítógépházat, és ellenőrizze, hogy világít-e a készenléti LED az alaplapon.

**Megjegyzés:** A LED különböző formájú lehet és különböző helyeken jelenhet meg az alaplapon - részletekért olvassa el az alaplapon útmutatóját.

### Az alaplapon lévő LED világít

Ebben az esetben a tápegység ellátja készenléti energiával az alaplapot. Azt, hogy nem kapcsol be, különböző köznapi problémák okozhatják. Mielőtt visszavinné a tápegységet a viszonteladónak:

1. Ellenőrizze, hogy megfelelően csatlakoztatta az ATX12V-os kábel(eke)t - részletekért olvassa el az alaplapon útmutatóját.
2. Ellenőrizze, hogy megfelelően csatlakoztatta az alaplaphoz a ház tápellátás gombját - részletekért olvassa el az alaplapon útmutatóját.  
*Ellenőrzésképpen csatlakoztassa az alaplapon két "Tápellátás gomb" tűjét a ház alaphelyzetbe állító gomb kábeléhez, majd nyomja meg az alaphelyzetbe állítás gombot. Ebből kiderül, hogy a ház tápellátás gombja megfelelően működik-e.*
3. Csatlakoztasson le minden nem alapvető fontosságú eszközt. A tápegység, RAM, CPU és CPU-hűtő maradjon csatlakoztatva az alaplaphoz. Ha a számítógép elindul ezzel a konfigurációval, egyenként csatlakoztassa a többi komponenst, hogy kiderüljön, melyik hibás.
4. Ha lehetséges, csatlakoztassa a tápegységet egy másik számítógéphez vagy hardveresztetthez, és nézze meg, hogy a probléma továbbra is fennáll-e.

### Az alaplapon lévő LED nem világít

Ebben az esetben előfordulhat, hogy az alaplapon hibás vagy nem kap készenléti áramot a PSU-tól. Mielőtt feltételezné, hogy a tápegység hibás és visszavinné azt a viszonteladónak:

1. Ellenőrizze, hogy a fő tápkábel csatlakoztatva legyen a tápegységhez és egy működő áramforráshoz is. Ellenőrizze az áramforrást egy másik készülékkel is, például egy lámpával.
2. Ellenőrizze, hogy a tápegység hátoldalán lévő kapcsoló BE helyzetbe legyen állítva ("I" jelzés).
3. Csatlakoztassa le, majd csatlakoztassa vissza az alaplaphoz csatolt ATX kábeleket.
4. Ha lehetséges, csatlakoztassa egy másik alaplaphoz a tápegységet, hogy megpróbálja ellenőrizni, a tápegység vagy az alaplapon hibás-e.

### A számítógép bekapcsol, de azonnal ki is kapcsol

Kövesse a fenti "Az alaplapon lévő LED világít" rész lépéseit.

## A tápegység hangos

A Fractal Design tápegységek tervezésekor elsődleges szempont volt a halk működés. A tápegységek jellemzően kibocsátanak valamennyi hangot, de ennek zárt számítógéphez mellett alig hallhatóknak kell lennie.

### Mechanikus hang / ventilátorhang

A ventilátorok idővel általában hangosabbak lesznek, ez jellemzően nem a jótállás keretébe tartozó probléma. Ha azonban egy új tápegység ventilátorra rendkívül hangos, forduljon a viszonteladóhoz.

**Megjegyzés:** *A ventilátorrácson idővel por gyűlhet fel, és ez okozhatja a hangos működést - tisztítsa meg a rácsot sűrített levegővel.*

### Elektromos hang / zűmmögés / sípolás

Az elektromos hangot általában több komponens közötti interferencia okozza, például a tápegység és a videokártya VRM moduljai közötti interferencia. Ez a hang azonban csak bizonyos terhelési kombinációk esetén jelentkezik, és gyakran csökkenthető a terhelés enyhe módosításával.

Mielőtt visszavinné a viszonteladóhoz a tápegységet, kérjük, próbálkozzon az alábbi beállításmódosításokkal:

- A CPU és az alaplap energiatakarékosági beállításai, például C1E (Enhanced Halt State) és EIST (Enhanced Intel SpeedStep® technológia) – azzal kapcsolatban, hogy az alaplap milyen funkciókat támogat, és ezek beállításait hogyan módosíthatja, az alaplap útmutatója tartalmaz további tudnivalót.
- A videokártya beállítása, például a “vsync” opció - a beállítások módosításaival kapcsolatos utasítások a videokártya útmutatójában találhatók.

Ha a zajszint a terhelési beállítások módosítását követően sem csökken, a Fractal Design jótállási igény alapjánul szolgáló oknak tekinti a hangos elektromos zajt.

## Korlátozott garancia és felelősség

A termék anyag- és gyártási hibáira a végfelhasználónak való kiszállítást követő **84 hónapos** jótállás vonatkozik. A korlátozott jótállási időszakon belül a terméket a Fractal Design saját belátása szerint megjavítja vagy cseréli. A jótállási igényeket a terméket értékesítő eladónál kell jelezni, előre fizetett szállítással.

A jótállás nem vonatkozik az alábbiakra:

- A bérleti céla vásárolt, nem megfelelően használt, gondatlanul kezelt vagy a jelzett használati körnek nem megfelelő módon használt termékekre.
- A természeti csapások, többek között villám, tűz, árvíz vagy földrengés következtében sérült termékekre.
- Azokra a termékekre, amelyek sorozatszám-matricáját módosították vagy eltávolították.
- Azokra a termékekre, amelyeket nem a felhasználói kézikönyv szerinti módon telepítettek.
- Azokra a termékekre, amelyeket a névleges feszültség alatt vagy fölött működtettek.
- A természetes használat következtében kopott vagy elhasználódott termékekre.

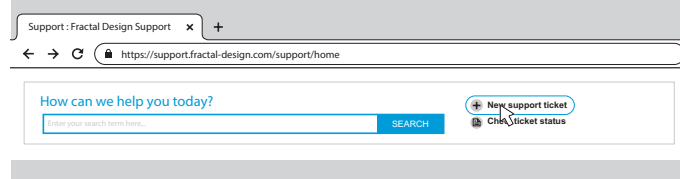
A Fractal Design maximális felelőssége a termék aktuális piaci ára terjed ki (értéksökkentett ár, mínusz a szállítás, kezelés és egyéb díjak). A Fractal Design nem vállal felelősséget semmilyen más kárért vagy veszteségért, ide értve többek között a kiesett profitot vagy bevételt, az adatvesztést, valamint az eseti vagy következményes károkat, még abban az esetben sem, ha a Fractal Design vállalatot tájékoztatták ezeknek a károknak a lehetőségéről.

## Segítségért kövesse az alábbi útvonalat

### 1 Lépjen a “support.fractal-design.com” oldalra



### 2 Kattintson a “New support ticket” lehetőségre



### 3 Töltse ki és küldje be a bejelentést

#### Submit a ticket

|                        |  |
|------------------------|--|
| Requester              | <input type="text" value="Email"/>               |
| Type                   | <input type="text"/>                             |
| Where are you from?    | <input type="text"/>                             |
| Product Category       | <input type="text"/>                             |
| Subject                | <input type="text"/>                             |
| Description of Problem | <p><b>B</b> / <u>U</u> </p> <input type="text"/> |

## Informacije o sigurnosti

*Sljedeće informacije pružaju se radi osobne sigurnosti, sigurnosti dijelova i pravilne upotrebe jedinice za napajanje:*

- Ne otvarajte kućište jedinice za napajanje. Može doći do pražnjenja napona iz uređaja, a u njegovoj unutrašnjosti nema dijelova koje može servisirati korisnik.
- Upotrebljavajte uređaj za napajanje samo u sigurnoj i suhoj okolini.
- Ne gurajte predmete kroz rešetku ventilatora ili u nezaštićene otvore za ventilaciju uređaja.
- Ne preinačujte kabele i/ili priključke uređaja.
- Ne povezujte priključke silom. Svaki je priključak oblikom prilagođen odgovarajućoj utičnici. Utknete li priključak prevelikom silom u neodgovarajuću u utičnicu, možete oštetiti jedinicu za napajanje i spojiti uređaj.

## Ugradnja

*Zamjenjujete li postojeći izvor napajanja, pratite upute iz odjeljka A, u suprotnom, prijedite na odjeljak B.*

### Dio A: Uklanjanje postojeće jedinice za napajanje

1. Odvojite kabel napajanja od računala i električne utičnice.
2. Otvorite kućište računala i odvojite kabele napajanja iz svih uređaja.
3. Uklonite postojeću jedinicu za napajanje iz kućišta.
4. Prijedite na odjeljak B.

### Dio B: Ugradnja nove jedinice za napajanje Fractal Design

*Ne povezujte kabel izmjeničnog napajanja s jedinicom za napajanje prije nego izvršite korake 1 do 5.*

1. Ugradite jedinicu za napajanje u kućište računala – potražite dodatne upute u priručniku za kućišta.
  2. Utknite ATX kabel s 24 kontakta u matičnu ploču.
  3. Utknite kabel ATX 12 V (ili više njih) u procesor.
  4. Spojite sve druge uređaja, kao što su grafička kartica i uređaji za pohranu, koristeći odgovarajuće kabele modularnog napajanja.
  5. Utknite sve kabele modularnog napajanja u jedinicu za napajanje koristeći priključke s odgovarajućim oznakama i odgovarajućim brojem kontakata.
- Napomena:** *Upotrebljavajte samo isporučene kabele ili kabele koji su izričito odobreni za upotrebu s vašom jedinicom za napajanje. Poremтите li raspored kabela ili nasilno gurate priključke u neodgovarajuće utičnice, može nastati trajno oštećenje.*

6. Zatvorite kućište računala.
7. Utknite kabel izmjeničnog napajanja i pritisnite gumb za uključivanje na stražnjoj stranici jedinice za napajanje.

Čestitamo! Uspješno ste ugradili novu jedinicu za napajanje. Jedinica za napajanje sada je u stanju pripravnosti i spremna za napajanje putem matične ploče.

## Rješavanje problema

### Računalo se ne pokreće

Prvo otvorite kućište računala i provjerite svijetli li LED indikator stanja pripravnosti.

**Napomena:** *LED indikator može imati različite oblike i biti na različitim mjestima na matičnoj ploči – pogledajte priručnik matične ploče za više pojedinosti.*

### Svijetli LED indikator matične ploče

U tom slučaju, jedinica za napajanje napaja matičnu ploču napajanjem za stanje pripravnosti. Računalo se ne pokreće zbog nekoliko mogućih uobičajenih problema. Provjerite sljedeće prije nego vratite uređaj za napajanje prodavaču:

1. Pobrinite se neka kabeli ATX 12 V budu pravilno spojeni – potražite više pojedinosti u priručniku za matičnu ploču.
2. Pobrinite se neka kabel gumba za uključivanje napajanja na kućištu bude pravilno spojen na matičnu ploču – potražite više pojedinosti u priručniku za matičnu ploču. *Za probu, spojite dva kontakta gumba napajanja na matičnoj ploči u kabel gumba za resetiranje na kućištu, a zatim pritisnite gumb. Tako ćete utvrditi radi li ispravno gumb napajanja na kućištu.*
3. Odvojite sve uređaje čiji rad nije neophodan. Ostavite jedinicu za napajanje, memoriju sustava (RAM), procesor i hladnjak procesora spojene u matičnu ploču. Pokrene li se računalo u ovoj konfiguraciji, spajajte druge komponente jednu po jednu kako biste otkrili koji uređaj je neispravan.
4. Kada je moguće, spojite jedinicu za napajanje u drugo računalo ili sklop kako biste utvrdili postoji li problem.

### LED indikator matične ploče ne svijetli

U tom slučaju, matična ploča možda je neispravna ili ne dobiva napajanje za stanje mirovanja iz jedinice za napajanje. Provjerite sljedeće prije nego zaključite kako je jedinica za napajanje neispravna i vratite je u trgovinu:

1. Neka glavni kabel napajanja bude spojen u jedinicu za napajanje, a izvor napajanja bude pod naponom. Provjerite električnu utičnicu pomoću drugog električnog uređaja, kao što je svjetiljka, kako biste bili sigurni da je pod naponom.
2. Neka sklopka na stražnjoj strani jedinice za napajanje bude u položaju "uključeno" (oznaka „I“).
3. Odvojite i ponovno spojite kabele napajanja ATX utaknute u matičnu ploču.
4. Kada je moguće, spojite uređaj za napajanje u drugu matičnu ploču kako biste provjerili je li neispravna jedinica za napajanje ili matična ploča.

### Računalo se uključuje, ali se zatim odmah isključuje

Pogledajte iste upute za rješavanje problema u gornjem odjeljku „Svijetli LED indikator matične ploče“.

## Izvor napajanja stvara buku

Sve jedinice za napajanje marke Fractal Design prvenstveno su razvijene tako da stvaraju nisku razinu buke. Jedinice za napajanje obično nikada nisu potpuno tihe, međutim njihov zvuk treba biti gotovo nečujan kada je kućišta računala zatvoreno.

### Mehanička buka / buka ventilatora

Ventilatori općenito postaju bučniji s vremenom i trošenjem, a to nisu uobičajeni razlozi za pokretanje jamstvenog zahtjeva. Međutim, postane li ventilator izrazito bučan na potpuno novom izvoru napajanja, javite se u trgovinu gdje ste kupili uređaj.

**Napomena:** Tijekom vremena, na rešetki ventilatora nakuplja se prašina i stvara izrazitu buku – očistite naslage komprimiranim zrakom.

### Električni šum / brujanje / zujanje zavojnice

Električni šum obično nastaje kao posljedica smetnji nastalih zbog međudjelovanja nekoliko komponenti, npr. između izvora napajanja i modula za regulaciju napona na grafičkoj kartici. Međutim, taj šum može se javiti samo uz određene kombinacije opterećenja i često se može ublažiti blagim promjenama u opterećenju napajanja.

Pokušajte promijeniti sljedeće postavke prije nego vratite jedinicu za napajanje u trgovinu:

- Značajke procesora za uštedu energije, kao što su C1E (poboljšano stanje mirovanja) i EIST (tehnologija Enhanced Intel SpeedStep®) – više pojedinosti o značajkama koje podržava matična ploča i načinu mijenjanja njihovih postavki potražite u priručniku matične ploče.
- Opcije upravljačkog programa grafičke kartice – upute za promjenu tih postavki potražite u priručniku za grafičku karticu.

Ne smanji li se razina šuma nakon prilagodbe postavki opterećenja napajanja, imajte na umu da tvrtka Fractal Design smatra znatan električni šum prihvatljivim razlogom za pokretanje jamstvenog zahtjeva.

## Ograničeno jamstvo i ograničenje odgovornosti

Ovaj proizvod ima jamstvo u trajanju od 84 mjeseca za manjkavosti materijala i/ili u izrade računajući od datuma dostave krajnjem korisniku. Za trajanja ograničenog jamstva, tvrtka Fractal Design će po svom nahođenju proizvod popraviti ili zamijeniti. Jamstveni zahtjev šalje se prodavatelju uređaja uz plaćenu dostavu.

Ovo jamstvo ne obuhvaća sljedeće:

- Proizvodi koji se iznajmljuju, nepropisno koriste, s kojima se nepažljivo rukuje ili se koriste suprotno predviđenoj namjeni.
- Proizvodi oštećeni u prirodnim nepogodama kao što su, između ostalih, grom, požar, poplava i potres.
- Proizvodi čija se naljepnica se serijskim brojem promijeni ili ukloni.
- Proizvodi se ne ugrade u skladu s korisničkim priručnikom.
- Proizvodi koji se koriste s naponom višim ili nižim od nazivnog.
- Proizvodi oštećeni habanjem i trošenjem pri normalnoj upotrebi.

Maksimalni opseg odgovornosti tvrtke Fractal Design ograničen je na trenutnu tržišnu vrijednost proizvoda (amortizirana vrijednost, bez troškova dostave i naknada za obradu i drugih naknada),

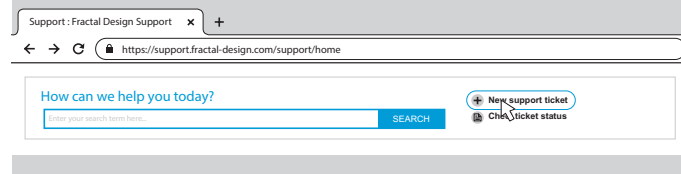
Tvrtka Fractal Design nije odgovorna ni za kakvu drugu štetu ili gubitak, uključujući, ali ne samo, gubitak dobiti, prihoda, podataka ili slučajne ili posljedice štete, čak i kada je tvrtka Fractal Design obaviještena o mogućnosti takvih šteta.

## Zatrebate li pomoć, obratite nam se

### 1 Otvorite stranicu „support.fractal-design.com“



### 2 Pritisnite gumb “New support ticket” (novi zahtjev za podrškom)



### 3 Popunite zahtjev i pošaljite ga

#### Submit a ticket

|                        |  |
|------------------------|--|
| Requester              | <input type="text" value="Email"/>                             |
| Type                   | <input type="text" value=""/>                                  |
| Where are you from?    | <input type="text" value=""/>                                  |
| Product Category       | <input type="text" value=""/>                                  |
| Subject                | <input type="text" value=""/>                                  |
| Description of Problem | <p><b>B</b> / <u>U</u> /  /  /  /  / </p> <input type="text"/> |

## Informazioni di sicurezza

Le seguenti informazioni vengono fornite a fini di sicurezza personale e sicurezza delle componenti oltre che per un corretto funzionamento dell'alimentatore:

- Non aprire mai l'alloggiamento dell'alimentatore. L'unità può scaricare tensioni pericolose; al suo interno non contiene componenti riutilizzabili dall'utente.
- Azionare l'alimentatore unicamente in ambienti sicuri e asciutti.
- Non inserire mai oggetti nella griglia della ventola o nelle aree di ventilazione aperte dell'alimentatore.
- Non modificare i cavi e/o i connettori dell'alimentatore.
- Non applicare eccessiva pressione sui connettori. Ogni connettore ha una forma specifica per essere inserito in una e solo una presa. L'uso di una pressione eccessiva in fase di inserimento di un connettore all'interno di una presa non adatta causerà danni sia all'alimentatore che al dispositivo collegato.

## Installazione

Qualora venga sostituito un alimentatore esistente, procedere con la sezione A; in caso contrario, passare alla Sezione B.

### Componente A: Rimozione della PSU esistente

1. Scollegare il cavo di alimentazione dal computer e dalla presa di corrente.
2. Aprire l'alloggiamento del computer e scollegare i cavi di alimentazione da tutti i dispositivi.
3. Togliere l'alimentatore esistente dall'alloggiamento.
4. Continuare con la Sezione B.

### Sezione B: Installazione del nuovo alimentatore Fractal Design

Non collegare il cavo di alimentazione CA al nuovo alimentatore prima di aver eseguito i passaggi dall'1 al 5.

1. Montare l'alimentatore nell'alloggiamento del computer - per ulteriori istruzioni in merito rimandiamo al manuale dell'alloggiamento.
2. Collegare il cavo a 24 pin ATX alla scheda madre.
3. Collegare il cavo ATX12V all'alimentatore.
4. Collegare tutti gli altri dispositivi, ad esempio scheda grafica e dispositivi di archiviazione usando il(i) cavo(i) di alimentazione modulare(i).
5. Collegare tutti i cavi di alimentazione modulari all'alimentatore usando i connettori debitamente etichettati con i numeri di pin corrispondenti.

**Nota:** Servirsi unicamente dei cavi forniti in dotazione o dei cavi esplicitamente approvati per essere usati con il proprio alimentatore. Mescolare i cavi o forzare i connettori in prese non compatibili potrebbe causare danni permanenti.

6. Chiudere l'alloggiamento del computer.
7. Collegare il cavo di alimentazione CA e portare il pulsante sul retro dell'alimentatore in posizione ON.

Complimenti! Hai installato con successo il tuo nuovo alimentatore. Ora l'alimentatore si trova in modalità standby ed è pronto per essere attivato tramite il controllo sulla scheda madre.

## Guida alla risoluzione dei problemi

### Il computer non si avvia

Come prima cosa aprire l'alloggiamento del computer e verificare che il LED sulla scheda madre sia acceso.

**Nota:** il LED può avere diverse forme ed essere in diverse posizioni sulla scheda madre; rimandiamo al manuale della scheda madre per ulteriori informazioni in merito.

#### Il LED della scheda madre è acceso (ON)

In questo caso l'alimentatore fornisce alimentazione alla scheda madre con alimentazione in standby. Diversi problemi comuni possono impedirne il funzionamento. Si prega di verificare il seguente elemento prima di restituire l'alimentatore al rivenditore:

1. Verificare che il(i) cavo(i) ATX12V siano collegati in modo adeguato - consultare il manuale della scheda madre per ulteriori dettagli in merito.
2. Verificare che il pulsante di alimentazione dell'alloggiamento sia correttamente connesso alla scheda madre - consultare il manuale della scheda madre per ulteriori dettagli in merito. *Come prova, collegare i due pin "Pulsante di alimentazione" sulla scheda madre al cavo del pulsante di reset dall'alloggiamento, quindi premere il pulsante reset. Questa operazione confermerà se il pulsante di alimentazione dell'alloggiamento funziona correttamente o meno.*
3. Scollegare tutti i dispositivi non essenziali. Lasciare alimentatore, memoria di sistema (RAM), CPU e dispositivo di raffreddamento della CPU connessi alla scheda madre. Se il computer si avvia con questa configurazione, ricollegare le altre componenti - una per una - fino a identificare il dispositivo guasto.
4. Ove possibile, collegare l'alimentatore a un PC o a un hardware diversi per confermare se il problema esiste ancora o meno.

#### Il LED della scheda madre è spento (OFF)

In questo caso, la scheda madre potrebbe essere guasta o potrebbe non ricevere corrente dall'alimentatore. Si prega di verificare i seguenti punti prima di ipotizzare la presenza di un guasto della PSU e prima di effettuare il reso al rivenditore:

1. Verificare che il cavo di alimentazione principale sia connesso all'alimentatore e a una fonte di alimentazione sotto tensione. Verificare la presa di corrente con un altro dispositivo elettrico, ad esempio una lampada, al fine di garantire l'effettiva erogazione di alimentazione.
2. Verificare che l'interruttore sul retro dell'alimentatore si trovi in posizione ON (contrassegnata con "I").
3. Scollegare e ricollegare i cavi di alimentazione ATX collegati alla scheda madre.
4. Ove possibile, collegare l'alimentatore a una scheda madre diversa e confermare se il guasto è dell'alimentatore o della scheda madre.

#### Il computer si accende ma poi si spegne subito dopo

Per la risoluzione dei problemi rimandiamo alla stessa guida nella sezione più sopra "Il LED della scheda madre è acceso (ON)"

## L'alimentazione è rumorosa

Tutti gli alimentatori Fractal Design sono stati progettati con bassi livelli di rumore - questa è la nostra priorità. Gli alimentatori non sono mai completamente silenziosi, tuttavia il rumore dell'alimentatore dovrebbe essere solo leggermente udibile con l'alloggiamento del computer chiuso.

### Rumore meccanico / Rumore di ventola

Le ventole di norma fanno più rumore col passare del tempo e con l'aumento dell'usura. Questo non è di norma un motivo valido per un reclamo in garanzia. Qualora tuttavia la ventola fosse troppo rumorosa su un alimentatore nuovo, invitiamo a contattare il rivenditore.

**Nota:** Con il passare del tempo la polvere può accumularsi sulla griglia del ventilatore e produrre un rumore eccessivo - eliminare l'accumulo con una bomboletta d'aria compressa.

### Rumore elettrico / ronzio / rumore della bobina

Il rumore elettrico è causato dalla somma delle interferenze dovute alle interazioni tra diversi componenti, come ad esempio tra l'alimentatore e i moduli VRM di una scheda grafica. Questo rumore può tuttavia verificarsi solo in determinate combinazioni di carico e spesso può essere mitigato apportando leggere modifiche al carico di potenza.

Si prega di provare a modificare le seguenti impostazioni prima di restituire l'alimentatore al rivenditore:

- Per le funzionalità di risparmio energetico della CPU e della scheda madre, quali ad esempio C1E (Enhanced Halt State) ed EIST (Enhanced Intel SpeedStep® Technology) - invitiamo a fare riferimento al manuale della scheda madre per maggiori dettagli sulle funzioni supportate della scheda madre oltre che su come modificarne le impostazioni
- Per le opzioni del driver della scheda grafica, inclusa l'opzione "vsync" - invitiamo a fare riferimento al manuale della scheda grafica per istruzioni su come modificare queste impostazioni.

Se il livello di rumore non viene ridotto dopo aver regolato le impostazioni del carico di potenza, Fractal Design considera il rumore elettrico forte una causa accettabile per una richiesta di garanzia.

## Garanzia limitata e limitazione di responsabilità

Questo prodotto è garantito per **84 mesi** dalla data di consegna all'utente finale, contro difetti di materiale e/o di lavorazione. Entro questo periodo di garanzia limitata, il prodotto sarà riparato o sostituito a discrezione di Fractal Design. Le richieste di garanzia devono essere consegnate all'agente che ha venduto il prodotto, con spedizione prepagata.

Questa garanzia non copre:

- Prodotti che sono stati utilizzati a scopo di noleggio, utilizzati in modo improprio, maneggiati con noncuranza o applicati in modo non conforme alla destinazione d'uso dichiarata.
- Prodotti danneggiati da un atto della natura, compresi, ma non solo, fulmini, incendi, inondazioni e terremoti.
- Prodotti il cui numero di serie è stato manomesso o rimosso.
- Prodotti che non sono stati installati in conformità con il manuale d'uso.
- Prodotti che sono stati usati al di sopra o al di sotto della tensione nominale.
- Prodotti danneggiati dall'usura del normale utilizzo

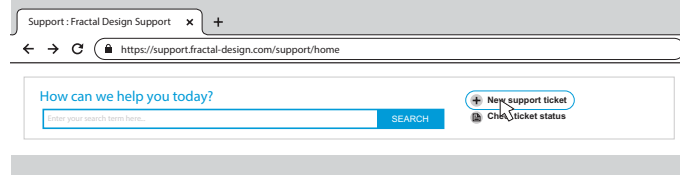
La massima responsabilità di Fractal Design è limitata al valore corrente di mercato del prodotto (valore ammortizzato, escluse le spese di spedizione, movimentazione e altre tasse); Fractal Design non sarà responsabile per qualsiasi altro danno o perdita, incluso ma non limitato alla perdita di profitti, ricavi o dati, o danni incidentali o consequenziali, anche se Fractal Design è stata avvisata della possibilità di tali danni.

## Per assistenza, invitiamo a contattare

### 1 Andare sul sito "support.fractal-design.com"



### 2 Fare clic su "New support ticket" (Nuovo ticket di assistenza)



### 3 Compilare la richiesta di ticket e inviare

#### Submit a ticket

Requester

Type

Where are you from?

Product Category

Subject

Description of Problem 

**B** / U / **≡** / **≡** / **≡** / **≡** / **≡** / **≡** / **≡** / **≡**

## Informação sobre Segurança

São fornecidas as seguintes informações relativas à segurança pessoal, à segurança dos componentes e ao correto funcionamento da PSU (Unidade da Fonte de Alimentação):

- Nunca abra o invólucro da PSU. A unidade pode descarregar tensões perigosas e não há componentes que possam ser reparados pelo utilizador no seu interior.
- Opere apenas a PSU em ambientes seguros e secos.
- Nunca introduza objetos na grelha da ventoinha ou nas áreas de ventilação abertas da PSU.
- Não altere os cabos e/ou conectores da PSU.
- Não force os conectores. Cada conector é moldado para encaixar apenas quando introduzido na tomada correta. A aplicação de força excessiva para introduzir um conector numa tomada incompatível causará danos, tanto na PSU, como no dispositivo associado.

## Instalação

Se substituir uma fonte de alimentação existente, continue na Secção A; caso contrário, passe para a Secção B.

### Parte A: Remoção da PSU existente

1. Desligue o cabo de alimentação do computador e da tomada elétrica.
2. Abra a caixa do computador e desligue os cabos de alimentação de todos os dispositivos.
3. Retire a PSU existente da caixa.
4. Continue com a Secção B.

### Parte B: Instalação da nova PSU Fractal Design

Não ligue o cabo de alimentação CA à nova PSU antes de concluir os passos 1 a 5.

1. Monte a PSU na caixa do computador – consulte o manual da caixa para mais instruções.
2. Ligue o cabo ATX de 24 pinos à placa-mãe.
3. Ligue o(s) cabo(s) ATX de 12 V à CPU.
4. Ligue todos os outros dispositivos, como placas gráficas e dispositivos de armazenamento, utilizando o(s) cabo(s) de alimentação modular(es) apropriado(s).
5. Ligue todos os cabos de alimentação modulares à PSU utilizando os conectores devidamente etiquetados com o número de pinos correspondente.

**Nota:** Utilize apenas os cabos incluídos ou os cabos explicitamente aprovados para utilização com a sua PSU. Misturar cabos ou forçar conectores em tomadas incompatíveis pode resultar em danos permanentes.

6. Feche a caixa do computador.
7. Ligue o cabo de alimentação CA e ligue o botão na parte de trás da PSU para a posição ON (Ligar).

Parabéns! Instalou com sucesso a sua nova PSU. A PSU está agora em modo de espera e pronta para ligar através do controlo da placa-mãe.

## Resolução de problemas

### O computador não arranca

Primeiro, abra a caixa do computador e verifique se o LED de modo de espera na placa-mãe está aceso.

**Nota:** O LED pode ter várias formas e encontrar-se em diferentes posições na placa-mãe – consulte o manual da placa-mãe para mais detalhes.

### O LED da placa-mãe está ligado

Neste caso, a PSU está a alimentar a placa-mãe com energia de reserva. Vários problemas comuns podem fazer com que ele não ligue. Verifique o seguinte antes de devolver a PSU ao revendedor:

1. Certifique-se de que os cabos ATX de 12 V estão corretamente ligados – consulte o manual da placa-mãe para mais detalhes.
2. Certifique-se de que o cabo do botão de alimentação da caixa está corretamente ligado à placa-mãe – consulte o manual da placa-mãe para obter mais detalhes.  
*Como teste, ligue os dois pinos do “Botão de Alimentação” da placa-mãe ao cabo do botão de reposição a partir da caixa e, em seguida, prima o botão de reposição. Isto irá confirmar se o botão de alimentação da caixa está ou não a funcionar corretamente.*
3. Desligue todos os dispositivos não essenciais. Deixe a PSU, a memória do sistema (RAM), a CPU e o refrigerador da CPU ligados à placa-mãe.  
Se o computador arrancar nesta configuração, volte a ligar os outros componentes um a um para identificar o dispositivo defeituoso.
4. Se possível, ligue a PSU a um PC ou hardware diferente para confirmar se o problema persiste.

### O LED da placa-mãe está desligado

Neste caso, a placa-mãe pode estar avariada ou a não receber energia de reserva da PSU. Verifique o seguinte antes de assumir que a PSU está avariada e de a devolver ao revendedor:

1. Assegure-se de que o cabo de alimentação principal está ligado, tanto à PSU como a uma fonte de energia ativa. Verifique a tomada com outro dispositivo elétrico, como uma lâmpada, para se assegurar de que fornece energia.
2. Certifique-se de que o interruptor na parte de trás da PSU está na posição ON (marcado com “I”).
3. Desligue e volte a ligar os cabos de alimentação ATX ligados à placa-mãe.
4. Se possível, ligue a PSU a uma placa-mãe diferente para tentar confirmar se a PSU ou a placa-mãe estão avariadas.

### O computador liga-se, mas depois desliga-se imediatamente

Consulte os mesmos passos de resolução de problemas da secção “O LED da placa-mãe está ligado” acima.



## A alimentação elétrica é ruidosa

Todas as fontes de alimentação Fractal Design foram desenvolvidas, como uma alta prioridade, com baixos níveis de ruído. Geralmente, as PSU nunca são completamente silenciosas, no entanto, o ruído da PSU deve ser pouco perceptível com a caixa do computador fechada.

### Ruído mecânico / Ruído da ventoinha

Geralmente, as ventoinhas tornam-se mais ruidosas com o passar do tempo e o desgaste, não sendo, normalmente, motivo para uma reclamação de garantia. No entanto, se a ventoinha for excessivamente ruidosa numa fonte de alimentação totalmente nova, contacte o revendedor.

**Nota:** Com o passar do tempo, pode acumular-se pó na grelha da ventoinha e produzir ruído excessivo – limpe a acumulação utilizando uma lata spray de ar comprimido.

### Ruído elétrico / zumbido / zunido da bobina

Normalmente, o ruído elétrico é causado pela soma das interferências das interações entre vários componentes, como entre a fonte de alimentação e os módulos VRM numa placa gráfica. No entanto, este ruído pode ocorrer apenas em determinadas combinações de carga e pode ser frequentemente atenuado através de ligeiras alterações na carga de energia.

Por favor, tente alterar as seguintes configurações antes de devolver a sua fonte de alimentação ao seu revendedor:

- Características de poupança de energia da CPU e da placa-mãe, como C1E (Enhanced Halt State) e EIST (Enhanced Intel SpeedStep® Technology) – consulte o manual da placa-mãe para obter mais detalhes sobre quais as funcionalidades que a placa-mãe suporta e como alterar as suas definições.
- Opções do controlador da placa gráfica, incluindo a opção "vsync" – consulte o manual da placa gráfica para obter instruções sobre como alterar estas definições.

Se o nível de ruído não for reduzido após o ajuste das configurações de carga de energia, a Fractal Design considera o ruído elétrico elevado uma causa aceitável para uma reclamação de garantia.

## Garantia Limitada e Limitação da Responsabilidade

Este produto está garantido durante **84 meses** a partir da data de entrega ao utilizador final, contra defeitos de material e/ou de fabrico. Dentro deste período de garantia limitada, o produto será reparado ou substituído, a critério da Fractal Design. As reclamações de garantia devem ser devolvidas ao agente que vendeu o produto, com o envio pré-pago.

Esta garantia não cobre:

- Produtos que tenham sido utilizados para fins de aluguer, utilizados indevidamente, tratados de forma descuidada ou aplicados de forma que não esteja em conformidade com a sua utilização prevista.
- Produtos danificados por causas de força maior, incluindo, entre outros, relâmpagos, incêndios, inundações e terremotos.
- Produtos cujo autocolante com o número de série tenha sido adulterado ou removido.
- Produtos que não tenham sido instalados de acordo com o manual do utilizador.
- Produtos que tenham sido operados acima ou abaixo da tensão nominal.
- Produtos danificados pelo desgaste devido ao uso normal

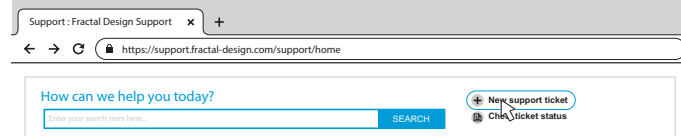
A responsabilidade máxima da Fractal Design limita-se ao valor atual de mercado do produto (valor depreciado, excluindo transporte, manuseio e outras taxas); a Fractal Design não será responsável por quaisquer outros danos ou perdas, incluindo mas não se limitando à perda de lucros, receitas ou dados, ou danos incidentais ou consequenciais, mesmo que a Fractal Design tenha sido avisada da possibilidade de tais danos.

## Para Assistência, Por Favor, Contacte

### 1 Acesse a "support.fractal-design.com"



### 2 Clique em "New support ticket" (Novo 'ticket' de apoio).



### 3 Preencha o pedido no 'ticket' e envie

#### Submit a ticket

|                        |  |
|------------------------|--|
| Requester              | <input type="text" value="Email"/>                             |
| Type                   | <input type="text" value=""/>                                  |
| Where are you from?    | <input type="text" value=""/>                                  |
| Product Category       | <input type="text" value=""/>                                  |
| Subject                | <input type="text" value=""/>                                  |
| Description of Problem | <p><b>B</b> / <u>U</u> /  /  /  /  / </p> <input type="text"/> |

## 안전을 위한 안내

사용자의 안전과 제품의 구성요소 보호, PSU의 안정적인 사용을 위해 다음과 같은 안내를 전달합니다.

- 절대 제품을 분해하면 안됩니다. 장치 내부에서는 인체에 치명적인 전압이 방출될 수 있으며, 내부 부품 중 사용자가 직접 수리할 수 있는 부품이 내장되어 있지 않습니다.
- 제품은 항상 안전하고 건조한 주변 환경에서만 사용하십시오.
- 절대 제품의 팬 그릴이나 환기구에 이물질을 넣지 마십시오.
- 제품의 케이블이나 커넥터 등을 임의로 개조하거나 변경하지 마십시오.
- 커넥터를 강제로 연결하지 마십시오. 각 커넥터는 지정된 소켓에만 연결할 수 있도록 설계되었습니다. 호환되지 않는 소켓에 커넥터를 삽입하려 하면 무리한 힘이 가해지게 되고, 이 경우 제품과 연결된 장치 모두가 손상될 수 있습니다.

## 설치

기존 PSU(전원 공급 장치)를 교체하는 경우 파트 A를 참조하십시오. 그 외의 경우 바로 파트 B로 이동하십시오.

파트 A: 기존 PSU 제거하기

1. PC와 전원 콘센트에서 전원 코드를 해제합니다.
2. PC 케이스를 열고 모든 장치에서 PSU와 연결된 케이블을 해제합니다.
3. PC 케이스에서 기존 PSU를 제거합니다.
4. 파트 B로 넘어갑니다.

파트 B: 새로 구입한 Fractal Design PSU 설치하기

1단계부터 5단계를 완료하기 전까지 절대 새 PSU에 AC 전원 코드를 연결하지 마십시오.

1. PSU를 PC 케이스에 장착합니다. 자세한 장착 방법은 사용중인 PC 케이스의 사용 설명서를 참조하세요.
2. ATX 24핀 케이블을 메인보드에 연결합니다.
3. ATX 12V 케이블(들)을 CPU보조 전원케에 연결합니다.
4. 그래픽카드, 저장장치 등 그 외 모든 장치들을 해당되는 모듈형 전원 케이블(들)로 연결합니다.
5. 해당 핀 개수에 맞는 커넥터를 사용해 모든 모듈형 전원 케이블을 PSU에 연결합니다.  
참고: 반드시 제품에 포함된 케이블이나 해당 PSU 사용 용도로 승인 받은 케이블을 사용해야 합니다. 케이블을 혼용하거나 맞지 않는 소켓에 커넥터를 억지로 밀어 넣을 경우 영구적인 손상이 발생할 수 있습니다.
6. PC 케이스를 닫습니다.
7. AC 전원 코드를 연결하고 PSU 후면에 있는 버튼을 ON 위치로 바꿉니다.

축하드립니다! 이제 새 PSU가 성공적으로 설치되었습니다.

PSU는 현재 대기 모드이며, 메인보드 제어를 통해 전원을 켜 준비가 된 상태입니다.

## 문제 해결

컴퓨터가 켜지지 않습니다

첫째, PC 케이스를 열고 메인보드의 대기 LED에 불이 들어와 있는지 확인합니다.

참고: LED는 제품별로 모양이나 메인보드상의 위치가 다를 수 있습니다. 자세한 사항은 메인보드 사용 설명서를 참조하세요.

메인보드 LED가 켜져 있습니다

이 경우, PSU가 메인보드에 대기 전력을 이미 공급 중이라는 뜻입니다. 이 경우 PSU 제품 자체의 문제가 아닐 수 있으므로 다음 사항들을 먼저 확인해주세요.

1. ATX 12V 케이블(들)이 모두 올바르게 연결되어 있는지 확인합니다. 자세한 사항은 메인보드 사용 설명서를 참조하세요.
2. 케이스의 전원 버튼 케이블이 메인보드에 모두 바르게 연결되어 있는지 확인합니다. 자세한 사항은 메인보드 사용 설명서를 참조하세요.  
자가 테스트로 메인보드의 "전원 버튼" 핀 2개를 PC 케이스의 "리셋 버튼" 케이블에 연결한 다음 PC 케이스의 리셋 버튼을 눌러주세요. 이를 통해 케이스의 전원 버튼이 제대로 작동하는지 여부를 확인할 수 있습니다.
3. 필수가 아닌 장치는 모두 연결을 해제합니다. PSU와 시스템 메모리(RAM), CPU 및 CPU 쿨러만 메인보드에 연결된 채로 남겨 둡니다. 이 상태에서 PC가 켜지면, 다시 장치를 하나씩 추가로 연결하면서 문제가 있는 장치를 찾아냅니다.
4. 가능한 경우, PSU를 다른 PC나 하드웨어에 연결하여 동일 증상이 나타나는지 확인해 봅니다.

메인보드 LED가 꺼져 있습니다

이 경우, 메인보드에 결함이 있거나 PSU의 전원을 공급 받지 못하고 있을 수 있습니다. PSU 문제로서 확실하기 전에 반드시 다음 사항을 확인해주세요.

1. 주 전원 코드 양쪽이 각각 PSU와 콘센트에 제대로 연결되어 있는지 확인합니다. 다른 전기 장치(예: 충전기 등)를 연결해 콘센트를 통해 전기가 정상적으로 공급되고 있는지 확인합니다.
2. PSU 후면의 스위치가 ON 위치("I"로 표시되어 있습니다)에 있는지 확인합니다.
3. 메인보드에 연결되어 있는 ATX 전원선을 뽑았다가 다시 연결합니다.
4. 가능한 경우, PSU를 다른 메인보드에 연결해 PSU나 메인보드에 결함이 있는 것은 아닌지 확인합니다.

컴퓨터가 켜졌다가 바로 꺼집니다

위 "메인보드 LED가 켜져 있습니다" 섹션의 해결 방법을 참조하세요.



## Güvenlik Bilgileri

*Aşağıdaki bilgiler kişisel güvenlik, bileşen güvenliği ve güç kaynağının (PSU) doğru çalışması için verilmiştir:*

- Güç kaynağı muhafazasını asla açmayın. Güç kaynağı içinde tehlikeli voltaj deşarjı söz konusu olabilir ve kullanıcı tarafından onarılabilecek hiçbir parça yoktur.
- Güç kaynağını sadece güvenli ve kuru ortamlarda çalıştırın.
- Fan ızgarasına veya güç kaynağının açık havalandırma deliklerine asla herhangi bir nesne sokmayın.
- Güç kaynağı kabloları ve/veya konektörleri üzerinde değişiklik yapmayın.
- Konektörleri zorlamayın. Her konektör sadece doğru sokete takılabilecek şekilde üretilmiştir. Konektörü uygun olmayan bir sokete takmak için aşırı güç uygulamak, hem güç kaynağına hem de takılı cihaza zarar verecektir.

## Montaj

*Mevcut bir güç kaynağını değiştiriyorsanız, Bölüm A'dan başlayın; aksi durumda Bölüm B'ye geçin.*

### Bölüm A: Mevcut güç kaynağını sökme

1. Güç kablosunu bilgisayar ve elektrik prizinden çıkarın.
2. Bilgisayar kasasını açın ve tüm cihazlardaki güç kablolarını sökün.
3. Mevcut güç kaynağını kasadan çıkarın.
4. Bölüm B'ye geçin.

### Bölüm B: Yeni Fractal Design Güç Kaynağı Montajı

*1 ila 5. adımları tamamlamadan önce AC güç kablosunu yeni güç kaynağına bağlamayın.*

1. Güç kaynağını bilgisayar kasasına takın - ek talimatlar için kasanın kullanma kılavuzuna bakın.
2. ATX 24-pin kabloyu anakarta bağlayın.
3. ATX12V kabloyu/kabloları güç kaynağına bağlayın.
4. Grafik kartı ve depolama aygıtı gibi diğer tüm cihazları uygun modüler güç kablolarını kullanarak bağlayın.
5. Tüm modüler güç kablolarını, eşleşen sayıda pime sahip uygun şekilde etiketlenmiş konektörleri kullanarak güç kaynağına bağlayın.  
**Not:** Sadece ürünle birlikte verilen kabloları veya güç kaynağınızla birlikte kullanımına açıkça onay verilmiş olan kabloları kullanın. Kabloları karıştırmak veya konektörleri uygun olmayan soketlere takmaya zorlamak kalıcı hasarlara neden olabilir.
6. Bilgisayar kasasını kapatın.
7. AC güç kablosunu bağlayın ve güç kaynağının arkasındaki düğmeyi AÇIK konumuna getirin.

Tebrikler! Yeni güç kaynağınızı başarıyla monte ettiniz.

Güç kaynağı bekleme modundadır ve anakart kontrolü üzerinden çalıştırılmaya hazırdır.

## Sorun Giderme

### Bilgisayar çalışmıyor

Öncelikle bilgisayar kasasını açın ve anakart üzerindeki standby (hazırda bekleme) LED'inin yanıp yanmadığını kontrol edin.

**Not:** LED lamba çeşitli şekillerde ve anakart üzerinde farklı konumlarda olabilir - daha fazla bilgi için anakart kullanma kılavuzuna bakın.

### Anakart LED'i AÇIK

Bu durumda, güç kaynağı anakarta hazırda bekleme gücü sağlamaktadır. Bazı yaygın görülen sorunlar LED'in yanmamasına neden olabilir. Güç kaynağını satıcıya iade etmeden önce lütfen aşağıdaki hususları kontrol edin:

1. ATX12V kablosunun/kablolarının doğru bağlandığından emin olun - daha fazla bilgi için anakart kullanma kılavuzuna bakın.
2. Kasadaki güç düğmesi kablosunun anakarta doğru bağlandığından emin olun - daha fazla bilgi için anakart kullanma kılavuzuna bakın.  
*Test etmek için: anakart üzerindeki iki "Güç Düğmesi" pimini kasadaki reset düğmesi kablosuna bağlayın, ardından reset düğmesine basın. Böylece kasadaki güç düğmesinin doğru çalışıp çalışmadığı kontrol edilmiş olur.*
3. Gerekli olmayan tüm cihazların bağlantısını kesin. Güç kaynağı, sistem belleği (RAM), CPU ve CPU soğutucusunu anakarta bağlı şekilde bırakın. Bilgisayar bu yapılandırmada çalışmaya başlarsa, diğer bileşenleri teker teker yeniden bağlayarak arızalı cihazı tespit edin.
4. Mümkünse, sorunun devam edip etmediğini kontrol etmek için güç kaynağını farklı bir PC'ye veya donanım setine bağlayın.

### Anakart LED'i KAPALI

Bu durumda, anakart arızalı veya güç kaynağından hazırda bekleme gücü almıyor olabilir. Güç kaynağını arızalı olarak nitelendirmeden ve satıcıya iade etmeden önce lütfen aşağıdaki hususları kontrol edin:

1. Ana güç kablosunun güç kaynağına ve aktif bir güç kaynağına bağlı olduğundan emin olun. Elektrik prizini lamba gibi başka bir elektrikli cihazla kontrol ederek güç sağladığından emin olun.
2. Güç kaynağının arkasındaki anahtarın ON (AÇIK) konumunda ("I" işaretli) olduğundan emin olun.
3. Anakarta bağlı ATX güç kablolarını çıkarıp tekrar takın.
4. Mümkünse, güç kaynağını farklı bir anakarta bağlayarak güç kaynağının veya anakartın arızalı olup olmadığını kontrol edin.

### Bilgisayar açılıyor ancak hemen kapanıyor

Yukarıdaki "Anakart LED'i AÇIK" bölümünde yer alan sorun giderme adımlarına bakın.



## Informacije o bezbednosti

Pročitajte sledeće informacije radi lične bezbednosti, bezbednosti komponenti i pravilnog rukovanja jedinicom za napajanje:

- Nikad ne otvarajte kućište jedinice za napajanje. Jedinica može da oslobodi opasan napon i u njoj se ne nalaze komponente koje korisnik može da servisira.
- Jedinicu za napajanje koristite samo u bezbednom i svom okruženju.
- Nikad ne ubacujte predmete u rešetku ventilatora ili otvoreni prostor za ventilaciju jedinice za napajanje.
- Ne modifikujte kablove i/ili konektore jedinice za napajanje.
- Ne silite konektore. Svaki konektor ima oblik koji se uklapa samo u odgovarajuću utičnicu. Ako konektor umetnete silom u nekompatibilnu utičnicu, oštetićete jedinicu za napajanje i priključeni uređaj.

## Instalacija

Ako zamenjujete postojeće napajanje, krenite od odeljka A. U suprotnom, pređite na odeljak B.

### Odeljak A: Uklanjanje postojeće jedinice za napajanje

1. Izvucite kabl za napajanje iz računara i utičnice.
2. Otvorite kućište računara i izvucite kablove za napajanje iz svih uređaja.
3. Izvadite postojeću jedinicu za napajanje iz kućišta.
4. Pređite na odeljak B.

### Odeljak B: Instaliranje nove jedinice za napajanje Fractal Design

Ne povezujte strujni kabl na novu jedinicu za napajanje dok ne obavite korake od 1 do 5.

1. Montirajte jedinicu za napajanje u kućište računara. Uputstva potražite u priručniku za kućište.
2. Povežite 24-pinski ATX kabl sa matičnom pločom.
3. Povežite ATX12V kablove sa procesorom.
4. Povežite sve ostale uređaje, kao što su grafička kartica i uređaji za skladištenje, pomoću odgovarajućih modularnih kablova za napajanje.
5. Povežite sve modularne kablove za napajanje sa jedinicom za napajanje pomoću obeleženih konektora sa odgovarajućim brojem pinova.

**Napomena:** Koristite isključivo isporučene kablove ili kablove koji su odobreni za korišćenje sa jedinicom za napajanje. Ako koristite različite kablove ili silom umećete konektore u nekompatibilne utičnice, možete da izazovete trajno oštećenje.

6. Zatvorite kućište računara.
7. Povežite strujni kabl i pritisnite dugme na zadnjoj strani jedinice za napajanje tako da bude na poziciji ON (uključeno).

Čestitamo! Instalirali ste novu jedinicu za napajanje. Jedinica za napajanje je sada u režimu pripravnosti i spremna je za uključivanje putem kontrole na matičnoj ploči.

## Rešavanje problema

### Računar se ne pokreće

Prvo otvorite kućište računara i proverite da li LED indikator stanja pripravnosti na matičnoj ploči svetli.

**Napomena:** Oblik i pozicija LED indikatora mogu da se razlikuju zavisno od matične ploče. Više detalja potražite u priručniku za matičnu ploču.

### LED indikator na matičnoj ploči je UKLJUČEN

U ovom slučaju, jedinica za napajanje snabdeva matičnu ploču energijom u režimu pripravnosti. Postoji nekoliko čestih problema zbog kojih se računar ne uključuje. Proverite sledeće pre nego što jedinicu za napajanje vratite prodavcu:

1. Uverite se da su ATX12V kablovi pravilno povezani. Više detalja potražite u priručniku za matičnu ploču.
2. Uverite se da je kabl dugmeta za napajanje na kućištu pravilno povezan sa matičnom pločom. Više detalja potražite u priručniku za matičnu ploču.  
*Obavite sledeći test: Povežite dva pina dugmeta za napajanje na matičnoj ploči sa kablom dugmeta za resetovanje na kućištu, pa pritisnite dugme za resetovanje. Ovako ćete proveriti da li je dugme za napajanje na kućištu ispravno ili ne.*
3. Isključite sve uređaje koji vam nisu neophodni. Ostavite jedinicu za napajanje, sistemsku memoriju (RAM), procesor i hladnjak procesora priključenim na matičnu ploču. Ako se računar pokrene u ovoj konfiguraciji, ponovo povežite ostale komponente jednu po jednu da biste utvrdili koja je pokvarena.
4. Ako je moguće, povežite jedinicu za napajanje sa drugim računarnom ili hardverom da biste videli da li problem i dalje postoji.

### LED indikator na matičnoj ploči je ISKLJUČEN

U ovom slučaju, matična ploča je možda pokvarena ili ne dobija napajanje u režimu pripravnosti od jedinice za napajanje. Proverite sledeće pre nego što pretpostavite da je jedinica za napajanje pokvarena i vratite je prodavcu:

1. Uverite se da je glavni kabl za napajanje povezan sa jedinicom za napajanje i izvorom napajanja. Priključite na izvor napajanja neki drugi električni uređaj, npr. lampu, da biste bili sigurni da obezbeđuje napajanje.
2. Uverite se da je prekidač na zadnjoj strani jedinice za napajanje u poziciji ON (označena sa „I“).
3. Izvucite i ponovo povežite ATX kablove za napajanje koji su priključeni na matičnu ploču.
4. Ako je moguće, povežite jedinicu za napajanje sa drugom matičnom pločom da biste videli da li je pokvarena napajanje ili matična ploča.

### Računar se uključuje i odmah se isključuje

Pogledajte korake za rešavanje problema u odeljku „LED indikator na matičnoj ploči je UKLJUČEN“.

## Napajanje je bučno

Sva Fractal Design napajanja razvijamo tako da nam je nizak nivo buke jedan od glavnih prioriteta. Jedinice za napajanje obično nikad nisu potpuno nečujne, međutim, zvuk jedinice za napajanje bi trebalo da bude jedva primetan kada je kućište računara zatvoreno.

### Mehanička buka / buka ventilatora

Ventilatori vremenom i habanjem postaju bučniji i to obično nije razlog za potraživanje garancije. Međutim, ako je ventilator veoma bučan na potpuno novom napajanju, kontaktirajte prodavca.

**Napomena:** Na rešetki ventilatora vremenom može da se nakupi prašina koja proizvodi prekomernu buku. Očistite prašinu pomoću komprimovanog vazduha.

### Električna buka / zujanje / pištanje

Električnu buku obično izaziva skup smetnji koje su rezultat interakcija nekoliko komponenti, npr. između napajanja i VRM modula na grafičkoj kartici. Međutim, ovakva buka može da nastane samo pri određenim kombinacijama opterećenja i često može da se ublaži promenom opterećenja napajanja.

Probatje da promenite sledeća podešavanja pre nego što napajanje vratite prodavcu:

- Funkcije za uštedu energije procesora i matične ploče, kao što su C1E (poboljšano stanje zaustavljanja) i EIST (poboljšana Intel SpeedStep® tehnologija). Pogledajte priručnik za matičnu ploču da biste videli koje funkcije podržava matična ploča i kako da promenite njihova podešavanja.
- Opcije drajvera grafičke kartice, uključujući opciju „vsync“. Uputstva za promenu ovih podešavanja potražite u priručniku za grafičku karticu.

Ako se nivo buke ne smanji kada promenite podešavanja opterećenja napajanja, Fractal Design smatra jaku električnu buku prihvatljivim razlogom za potraživanje garancije.

## Ograničena garancija i ograničenje odgovornosti

Ovaj proizvod ima garanciju od **84 meseca** od datuma isporuke krajnjem korisniku koja pokriva nedostatak u materijalima i/ili izradi. Tokom ovog ograničenog garantnog perioda, Fractal Design će popraviti ili zameniti proizvod po svom nahođenju. Proizvod za koji potražujete garanciju morate da vratite prodavcu i unapred platite isporuku.

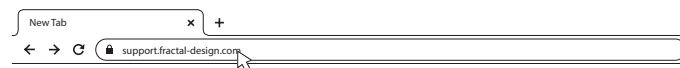
Garancija ne pokriva sledeće:

- Proizvodi koji su korišćeni u svrhu iznajmljivanja, koji su zloupotrebljavani, nemarno korišćeni ili korišćeni na način koji nije u skladu sa njihovom namenom.
- Proizvodi oštećeni prirodnim nepogodama, uključujući, između ostalog, udar groma, požar, poplavu i zemljotres.
- Proizvodi čija je nalepnica sa serijskim brojem pomerana ili uklonjena.
- Proizvodi koji nisu instalirani u skladu sa priručnikom za korisnike.
- Proizvodi koji su korišćeni iznad ili ispod nominalnog napona.
- Proizvodi čije oštećenje je rezultat habanja usled normalne upotrebe

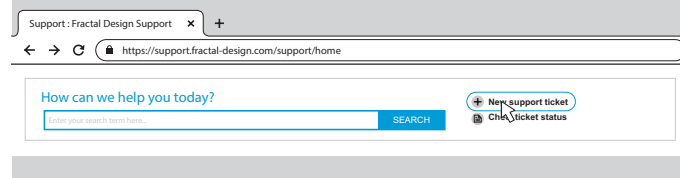
Maksimalna obaveza kompanije Fractal Design je ograničena na aktuelnu tržišnu vrednost proizvoda (amortizovana vrednost, izuzimajući naknadu za isporuku, rukovanje i druge naknade). Fractal Design nije odgovoran za eventualna oštećenja ili gubitke, uključujući, između ostalog, profit, prihod ili podatke, kao ni za slučajnu ili posledičnu štetu, čak i ako je Fractal Design bio obavešten o mogućnosti takve štete.

## Da biste zatražili pomoć

### 1 Idite na „support.fractal-design.com“



### 2 Kliknite na „New support ticket“ (Novi tiket za podršku)



### 3 Popunite zahtev i pošaljite ga

Submit a ticket

Requester

Type

Where are you from?

Product Category

Subject

Description of Problem

## Bezpieczeństwo

W celu zachowania bezpieczeństwa użytkownika, komponentów oraz odpowiedniego funkcjonowania zasilacza należy stosować się do poniższych zaleceń:

- Nie należy otwierać obudowy zasilacza. Urządzenie może emitować napięcie niebezpieczne dla użytkownika. Wewnątrz obudowy znajdują się komponenty, które nie powinny być naprawiane przez użytkownika.
- Zasilacz powinien być instalowany tylko w bezpiecznym i suchym otoczeniu.
- Nie należy wprowadzać żadnych przedmiotów w wentylator ani w otwory wentylacyjne.
- Nie należy w żaden sposób modyfikować przewodów i/lub złączy zasilacza.
- Nie należy na siłę podłączać złączy na siłę. Każde złącze ma kształt odpowiadający tylko prawidłowemu gniazdu. Próby siłowego połączenia złącza z nieodpowiednim gniazdem skutkować będą uszkodzeniem zarówno zasilacza jak i urządzenia.

## Instalacja

Jeśli wymieniany jest już zainstalowany zasilacz, należy przejść do Sekcji A. Jeśli nie, należy przejść do Sekcji B.

### Sekcja A: Usunięcie zainstalowanego zasilacza

1. Odcłóż od komputera oraz źródła prądu przewód zasilający.
2. Otwórz obudowę komputera i odcłóż przewody zasilające od wszystkich urządzeń.
3. Wyjmij wymontowany zasilacz z obudowy.
4. Przejdź do Sekcji B.

### Sekcja B: Instalacja nowego zasilacza Fractal Design

Nie należy podłączać do nowego zasilacza źródła prądu przed zakończeniem kroków od 1 do 5.

1. Zamontuj zasilacz w obudowie komputera. Więcej informacji znajduje się w instrukcji użytkowania obudowy.
2. Podłącz przewód 24-pin do płyty głównej.
3. Podłącz przewody ATX12V do procesora.
4. Podłącz wszystkie inne urządzenia takie jak karty graficzne czy dyski przy użyciu odpowiednich modułowych przewodów zasilających.
5. Podłącz wszystkie przewody modułowe do zasilacza przy użyciu odpowiednich złączy o odpowiedniej liczbie pinów.

**Uwaga:** Należy zastosować dołączone przewody lub przewody zatwierdzone dla danego zasilacza. Mieszanie przewodów lub podłączenie ich na siłę do nieodpowiednich gniazd może skutkować trwałym uszkodzeniem sprzętu.

6. Zamknij obudowę komputera.
7. Podłącz przewód zasilający do źródła prądu. Ustaw przełącznik z tyłu zasilacza na ON.

Gratulujemy! Udało ci się zainstalować nowy zasilacz. Zasilacz funkcjonuje teraz w trybie czuwania i jest gotowy do włączenia przez płytę główną.

## Rozwiązywanie problemów

### Komputer nie włącza się

Najpierw należy otworzyć obudowę i sprawdzić, czy włączona jest dioda na płycie głównej.

**Uwaga:** Dioda może przyjmować różne kształty i może być zainstalowana w różnych miejscach na płycie głównej. Więcej informacji znajduje się w instrukcji płyty głównej

### Dioda płyty głównej jest włączona

W takim wypadku zasilacz działa z płytą główną w trybie gotowości. Istnieje kilka często występujących powodów, dla których komputer może się nie włączać. Proszę sprawdzić, czy występują, przed zwróceniem zasilacza do sprzedawcy. Należy:

1. Upewnić się, że przewód (przewody) ATX12V został podłączony prawidłowo. Więcej informacji znajduje się w instrukcji płyty głównej.
2. Upewnić się, że przewód zasilający obudowy został podłączony prawidłowo. Więcej informacji znajduje się w instrukcji płyty głównej.  
*W ramach sprawdzenia należy połączyć dwa piny „Power Button” (przycisk zasilania) na płycie głównej do przewodu przycisku resetu, a następnie nacisnąć przycisk resetu. Potwierdzi to, czy przycisk zasilania działa prawidłowo.*
3. Odcłóż wszystkie niekluczowe urządzenia. Pozostawić zasilacz, pamięć systemową (RAM), procesor oraz chłodzenie procesora podłączone do płyty głównej. Jeśli komputer włącza się przy takiej konfiguracji, należy podłączać pozostałe urządzenia jedno po drugim w celu zidentyfikowania błędnie działającego urządzenia.
4. Jeśli jest to możliwe, należy podłączyć zasilacz do innego komputera lub zestawu sprzętów w celu potwierdzenia, czy problem nadal istnieje.

### Dioda płyty głównej jest wyłączona

W takim wypadku uszkodzona może być płyta główna. Może też nie otrzymywać zasilania w trybie gotowości z zasilacza. Proszę sprawdzić, czy te problemy występują, przed stwierdzeniem, że zasilacz jest wadliwy i zwróceniem do sprzedawcy. Należy:

1. Upewnić się, że główny przewód zasilający połączony jest zarówno z zasilaczem, jak i z działającym źródłem prądu. Należy sprawdzić źródło prądu przy pomocy innego urządzenia, takiego jak lampa, czy zapewnia zasilanie.
2. Upewnić się, że przełącznik z tyłu zasilacza jest włączony (symbol „I”).
3. Odcłóż i podłącz ponownie przewód 24-pin do płyty głównej.
4. Jeśli jest to możliwe, należy podłączyć zasilacz do innej płyty głównej w celu potwierdzenia, czy problem nadal istnieje.

### Komputer włącza się, ale natychmiast się wyłącza

Prosimy o powtórzenie kroków z sekcji „Dioda płyty głównej jest włączona” powyżej.



## Zasilacz działa głośno

Wszystkie zasilacze Fractal Design produkowane są tak, aby emitowały jak najmniej hałasu. Zasilacze zazwyczaj nigdy nie działają całkowicie cicho, jednak emitowany przez nie dźwięk z zamkniętej obudowy powinien być ledwo słyszalny.

### Odgłosy mechaniczne / działania wentylatora

Wentylatory robią się głośniejsze wraz z czasem i zużyciem. Zazwyczaj problem ten jest obejmowany przez postępowanie gwarancyjne. Jeśli jednak w całkowicie nowym zasilaczu wentylator działa zbyt głośno, należy skontaktować się ze sprzedawcą.

**Uwaga:** Z czasem na wentylatorze osadza się coraz więcej kurzu, co może prowadzić do zwiększonego hałasu. Należy usunąć kurz przy pomocy sprężonego powietrza.

### Odgłosy prądu / buczenie / wibracja

Zazwyczaj słyszalne dźwięki „prądu” powodowane są przez sumę interferencji kilku komponentów, na przykład między zasilaczem a modulem VRM na karcie graficznej. Jednakże hałas ten pojawia się tylko w niektórych przypadkach i może zostać wyeliminowany przez dokonanie niewielkich zmian w obciążeniu.

Prosimy o zmianę następujących ustawień przed zwróceniem zasilacza sprzedawcy:

- Ustawienia trybu oszczędzania energii procesora i płyty głównej, takie jak C1E (Enhanced Halt State) oraz EIST (Enhanced Intel SpeedStep® Technology). Więcej informacji na temat technologii wspieranych przez daną płytę główną oraz jak zmieniać ich ustawienia znaleźć można w instrukcji płyty głównej.
- Opcje sterowników karty graficznej, w tym opcja synchronizacji pionowej (vsync). Więcej informacji na temat tego, jak zmienić te ustawienia, znajduje się w instrukcji karty graficznej.

Jeśli po zmianie ustawień obciążenia poziom hałasu nie zmniejszył się, Fractal Design uznaje głośne odgłosy „prądu” jako akceptowalny powód do postępowania gwarancyjnego.

## Ograniczona gwarancja i ograniczenie odpowiedzialności

Niniejszy produkt podlega gwarancji na okres 84 miesięcy od daty dostarczenia do użytkownika końcowego w kwestii defektów materiałów i/lub wykonania. W trakcie okresu ograniczonej gwarancji produkt zostanie naprawiony lub zastąpiony na podstawie decyzji Fractal Design. Reklamacja z tytułu gwarancji powinna zostać złożona u pośrednika, który sprzedał produkt, przesyłką przedpłaconą.

Niniejsza gwarancja nie obejmuje:

- Produktów, które były wypożyczane, używane niezgodnie z zastosowaniem, nieuważnie lub nieostrożnie w sposób niezgodny z funkcją urządzenia.
- Produktów uszkodzonych w toku zdarzeń losowych, w tym w wyniku uderzenia piorunem, pożaru, powodzi lub trzęsienia ziemi.
- Produktów, w przypadku których naklejka z numerem seryjnym została usunięta lub zmodyfikowana.
- Produktów, które zostały zainstalowane niezgodnie z instrukcją użytkownika.
- Produktów, które działały powyżej lub poniżej docelowego napięcia.
- Produktów uszkodzonych przez zużycie w ramach standardowego użytkownika.

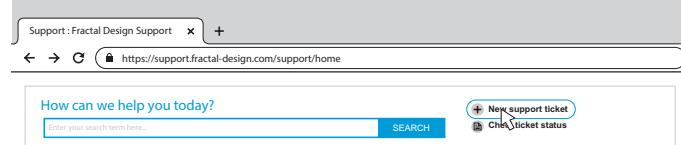
Maksymalny pułap odpowiedzialności Fractal Design ograniczony jest do obecnej wartości markowej produktu (wartość zamortyzowana, wyłączając wysyłkę, opłaty operacyjne i inne opłaty). Fractal Design nie ponosi odpowiedzialności za jakiegokolwiek uszkodzenia lub straty, włączając w to utratę zysków, obrotów lub danych, straty wynikowe i przypadkowe, nawet jeśli Fractal Design zostało poinformowane o możliwości wystąpienia takich uszkodzeń.

## W przypadku potrzeby kontaktu z zespołem wsparcia, proszę

### 1 Przejść na stronę „support.fractal-design.com”



### 2 Wybrać opcję „New support ticket” (nowe zgłoszenie do zespołu wsparcia)



### 3 Wypełnić zgłoszenie oraz wystąpić je

#### Submit a ticket

|                        |   |
|------------------------|---|
| Requester              | <input type="text" value="Email"/>                      |
| Type                   | <input type="text" value=""/>                           |
| Where are you from?    | <input type="text" value=""/>                           |
| Product Category       | <input type="text" value=""/>                           |
| Subject                | <input type="text" value=""/>                           |
| Description of Problem | <p><b>B</b> <i>i</i> <u>u</u> </p> <input type="text"/> |

Thank you for choosing  Fractal





Fractal Gaming AB,  
Datavägen 37B, S-436 32,  
Askim, Sweden

Designed in Sweden  
[fractal-design.com](http://fractal-design.com)

© Fractal Design, All rights reserved.  
Fractal Design, the Fractal Design logotypes,  
product names and other specific elements  
are trademarks of Fractal Design, registered  
in Sweden. Other product and company  
names mentioned herein may be trademarks  
of their respective companies. Contents and  
specifications as described or illustrated are  
subject to change without notice.