

2-in-1U Mounting Kit Installation Guide

2K-0001/2K-0002/2K-0007

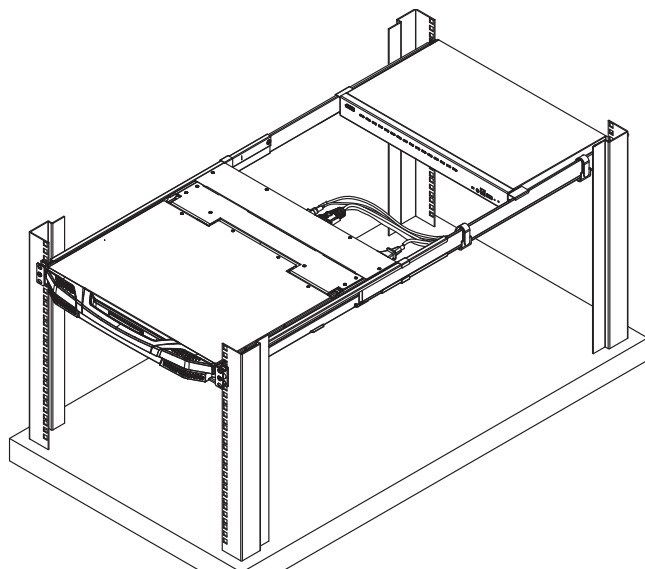


Package Content

MISC1000001 10/2020 V4.0

1	Standard Installation Rack Rail Set (2K-0001/2K-0007) / 1 Easy Installation Rack Rail Set (2K-0002)
2	Velcro Cable Management Straps
1	M4*6 Type I Screw Set (2 screws) (2K-0001/2K-0007) / 1 M4*6 Type I Screw Set (6 screws) (2K-0002)
1	M3*5 Flathead Screw Set (9 screws) (2K-0001/2K-0002) / 1 M3*8 Flathead Screw Set (9 screws) (2K-0007)
1	Hind KVM Stabilizing Set (4 rack ears)
1	User Instructions

The 2-in-1U Mounting Kit allows you to install an LCD KVM and a KVM switch on the same unit of space. An example is shown below:

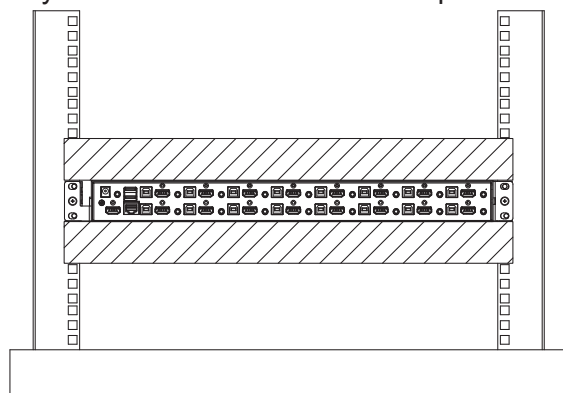


Refer to the ATEN website or 2K-0001/2K-0002/2K-0007 datasheet for more information on the compatibility between LCD KVM consoles and KVM Switches.

Hardware Installation

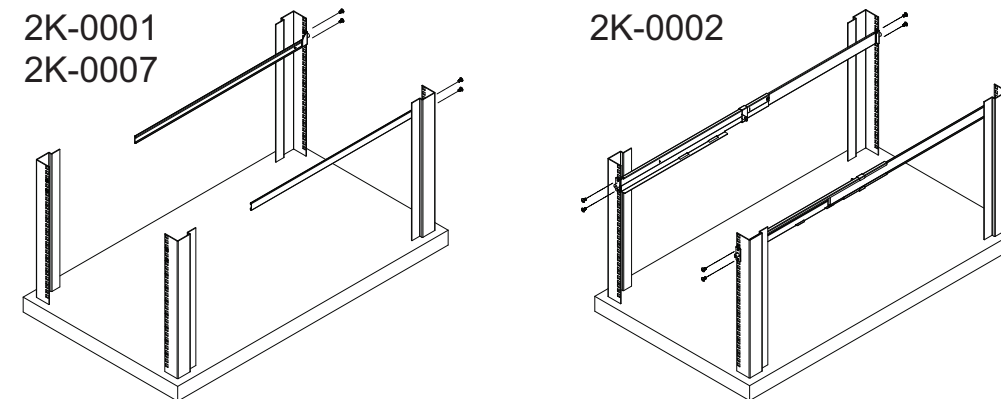
Note before you begin:

1. Unless otherwise specified, rack screws mentioned in the steps below are not provided in the package.
2. It is recommended that you leave at least 1U of rack space during the installation.

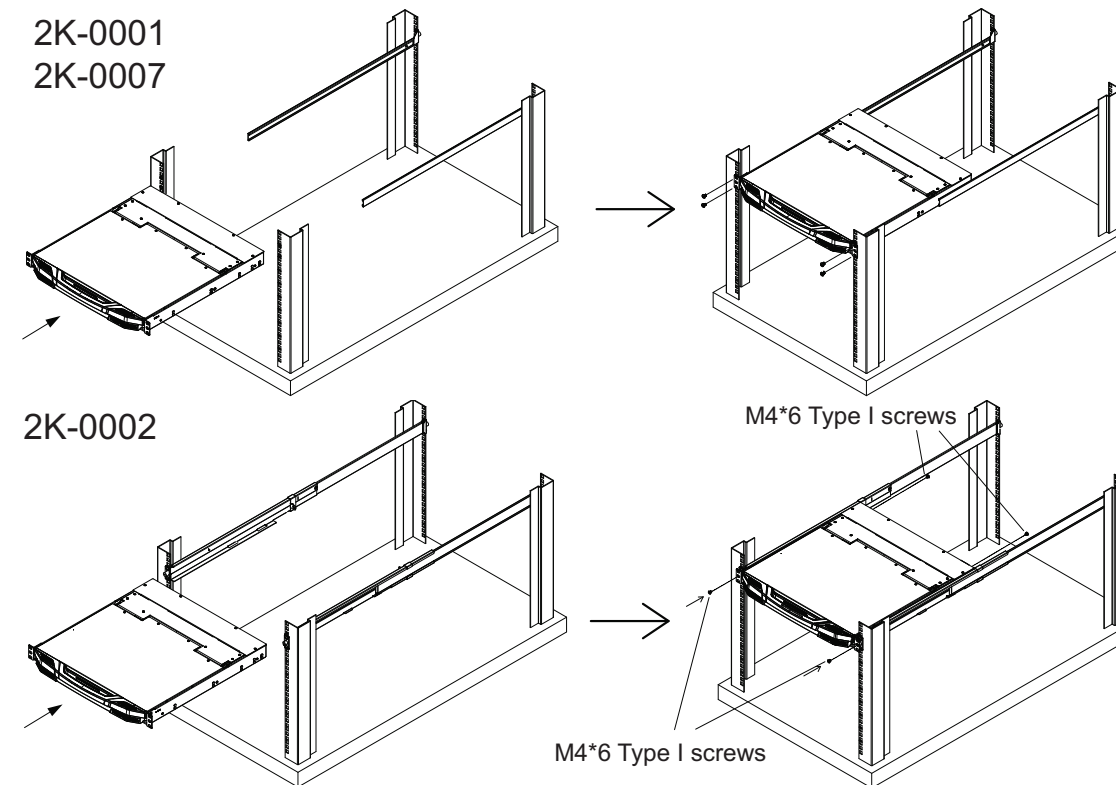


1. Screw the rail set to the rack using rack screws as shown:

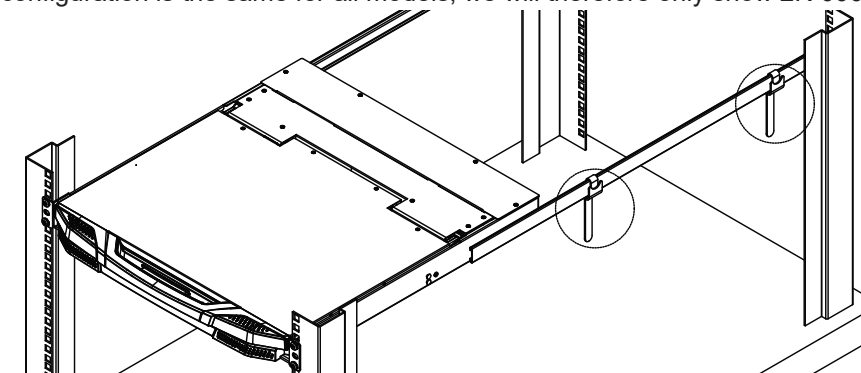
Note: When attaching the rail, make sure the triangular section on the rear of the 2K-0001/2K-0007 rails is oriented upwards and the side with the L or R marks is on the interior. For 2K-0002, make sure the side with the L or R marks is on the interior.



2. 2K-0001/2K-0007: Attach the LCD KVM onto the rack aligning the rail set and stabilize it using rack screws. 2K-0002: Attach the LCD KVM onto the rack aligning the rail set and stabilize it using 4 of the M4*6 Type I screws as shown.

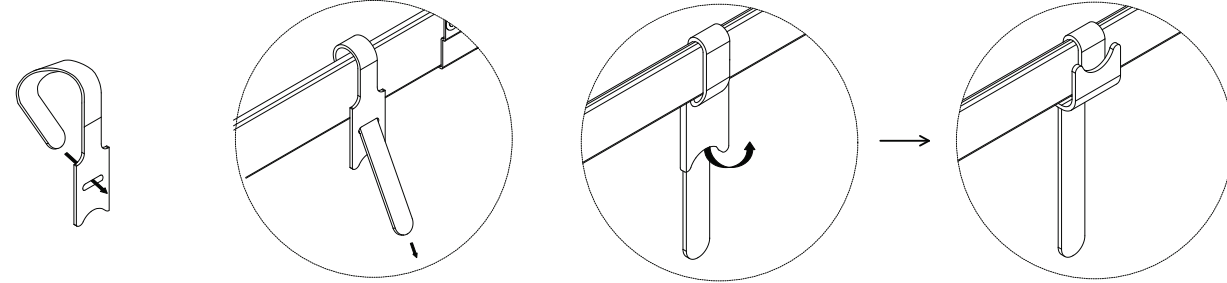


3. Attach the Velcro cable management straps on the right-hand rail (looking directly at the LCD KVM from the front). Attach one closer to the LCD KVM and the other closer to the hind rack as shown (steps to completing the rest of the configuration is the same for all models, we will therefore only show 2K-0001 diagrams):

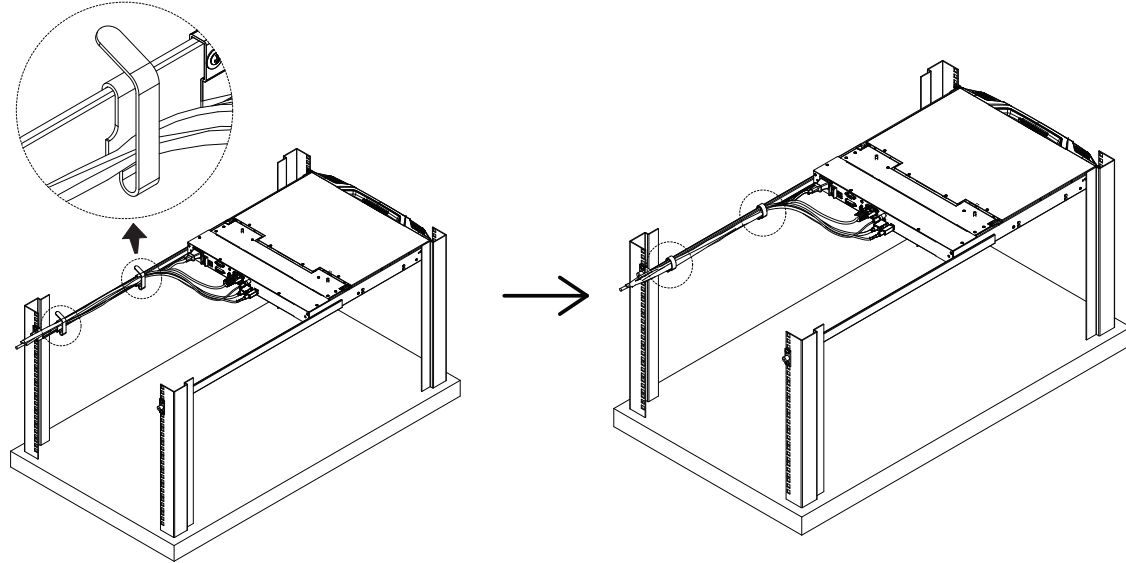


Attaching a Velcro Cable Management Strap

- Wrap the strap around the rail and insert the narrower end into the opening.
- Pull the narrower end further to wrap the strap around the rail tightly.
- Wrap the wider end of the strap around the rail.

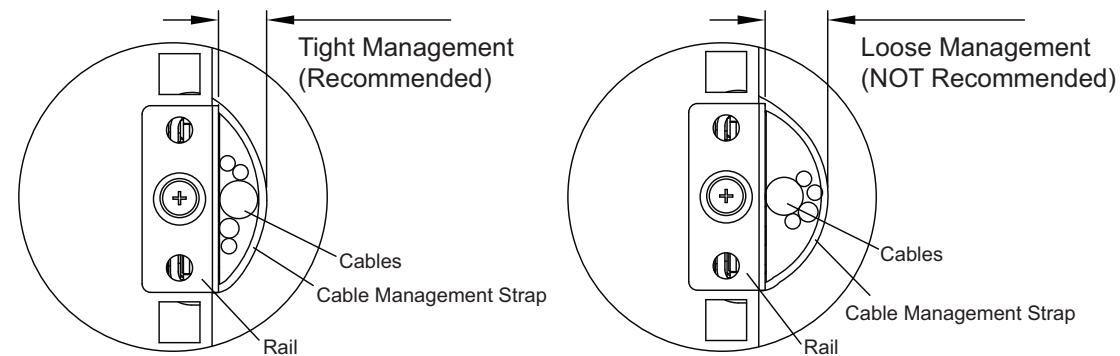


- Connect the cables of the LCD KVM. Collect the cables to the right-hand side (looking to the front of the LCD KVM) of the rail and wrap the narrower side of the cable straps around the cables.

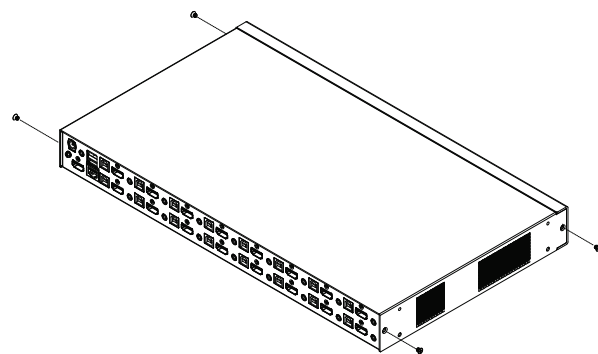


Cable Management

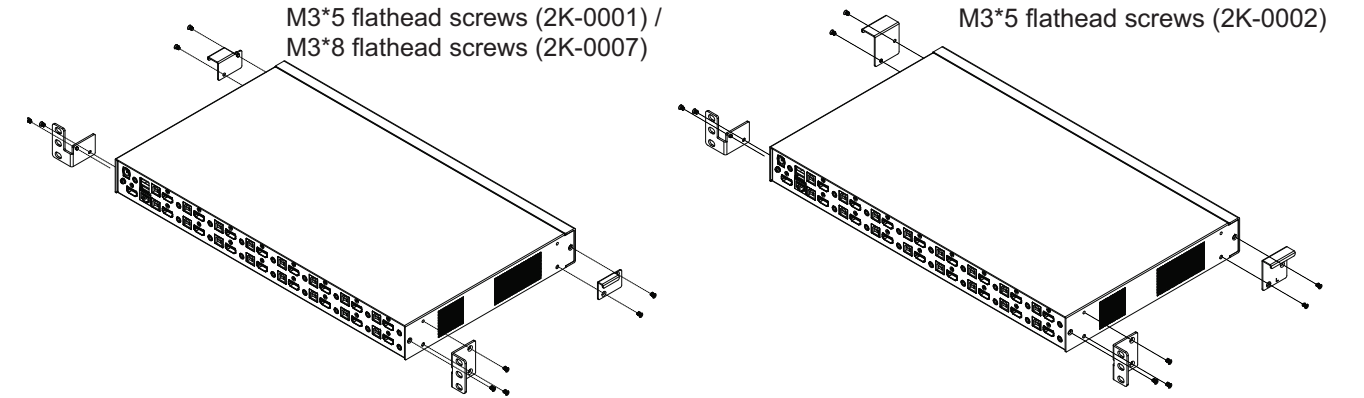
It is highly recommended that you manage the cables as tight and space-limiting as possible.



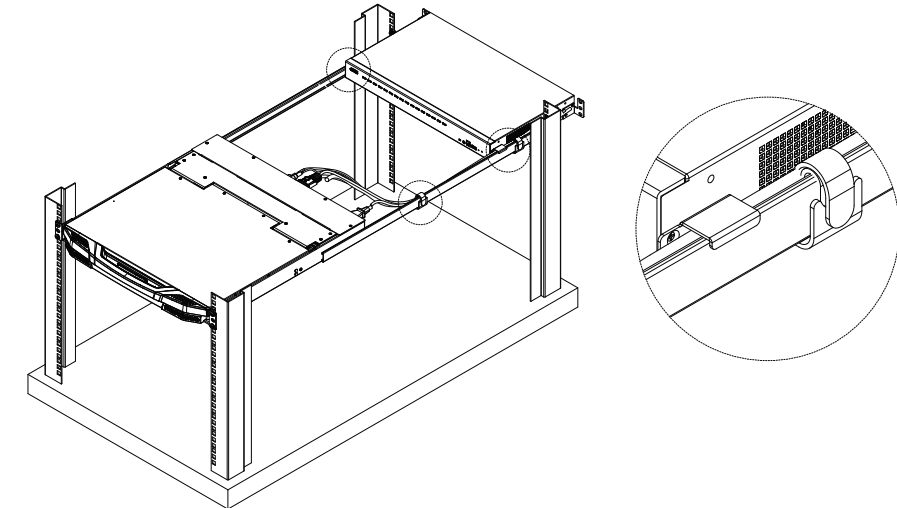
- Remove the screws of the KVM switch as shown:



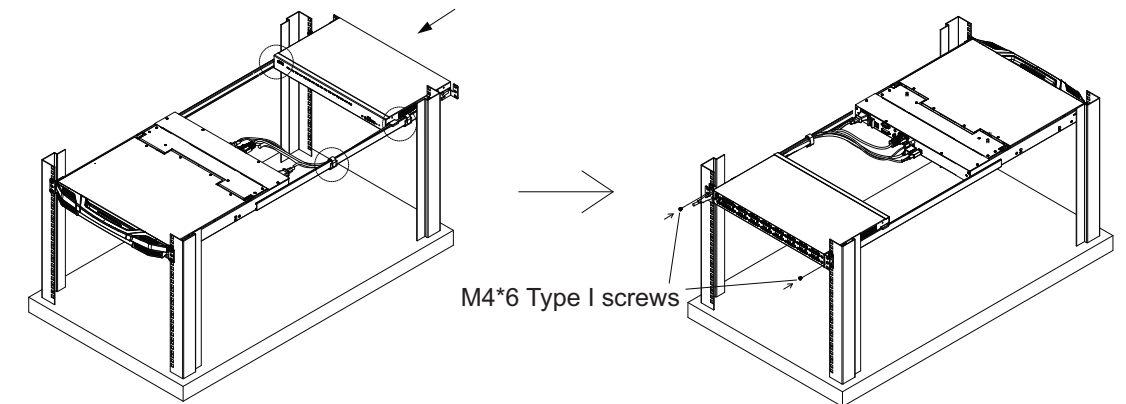
- Attach the Hind KVM Stabilizing Set to the KVM switch using 9 M3*5 / M3*8 flathead screws:



- The front ears of the KVM switch are hook-shaped. Hook the front ears onto the rack as shown below. Make sure that the right ear is hooked between the two Velcro management straps.



- Push the KVM switch into the rack as shown and stabilize the KVM switch with 2 of the M4*6 Type I screws.



When completed, the cables should be managed between the KVM switch and the rail, an example is shown:

