

ACCSH300

Dual AV Wall Shelf with Glass for AV Components

Flat panel display home theatre systems often encounter issues when it comes to displaying audio visual components that will match the stylistic qualities of the mount. This dual AV Wall Shelf solves the problem by giving consumers the ability to center their audio visual components in a low-profile manner. The shelving unit provides a sleek and stylish opportunity for consumers to organize their DVD/Blu-ray® players, cable/satellite boxes and game consoles in a way that suits the style of their home. It incorporates cable management for a clean appearance.



Max load: 13.6kg (30lb) per shelf

FEATURES

- Strong, tempered glass shelves can be vertically adjusted to accommodate AV components of any height
- Cable management system helps keep cables concealed and organized
- Supports up to 13.6kg per shelf
- Bubble level makes for a quick and easy installation

■ ADJUSTABLE HEIGHT

Easily adjust the height of the component shelf after installation without the use of tools

■ BUBBLE LEVEL

For a quick and easy installation without the use of extra tools



■ TEMPERED GLASS SHELVES

For up to 13.6kg of support* with a sleek, modern look

* per shelf

■ CABLE MANAGEMENT

Keeps component cables concealed and organized



Side View

RoHS

ACCSH300	Dual AV Wall Shelf with Glass for AV Components
-----------------	---

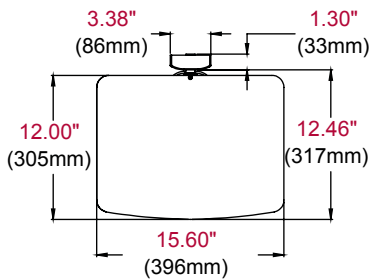
Product Specifications

	DIMENSIONS (W x H x D)	PRODUCT WEIGHT	LOAD CAPACITY	FINISH	AVAILABLE COLORS
ACCSH300	15.6" x 25.44" x 13.76" (396 x 646 x 350mm)	4kg (8.96lb)	13.6kg (30lb) per shelf	Powder coat	Gloss Black

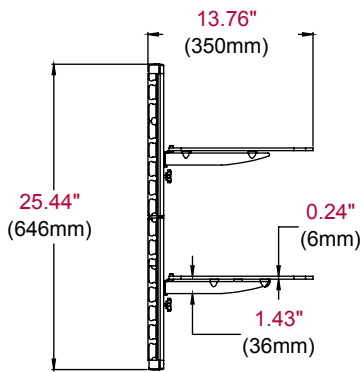
Package Specifications

	PACKAGE SIZE (W x H x D)	PACKAGE SHIP WEIGHT	PACKAGE UPC CODE	PACKAGE CONTENTS	UNITS IN PACKAGE
ACCSH300	13.25" x 2.625" x 17.125" (337 x 67 x 435mm)	4.7kg (10.5lb)	735029277378	Dual AV Wall Shelves with Glass, Instructions, Installation hardware	1

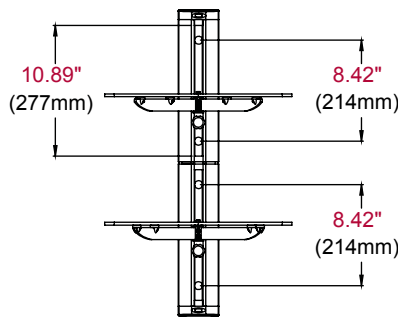
All dimensions = inch (mm)



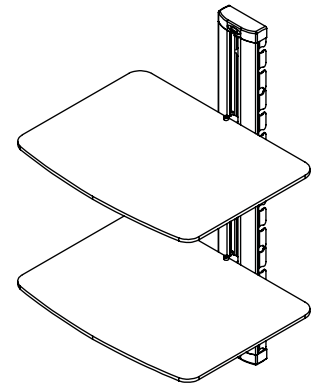
TOP VIEW



SIDE VIEW



FRONT VIEW



ISOMETRIC VIEW

ARCHITECTS SPECIFICATIONS

The Peerless-AV Dual AV Wall Shelf with Glass shall be model ACCSH300. Assembly and installation shall be done according to instructions provided by the manufacturer.