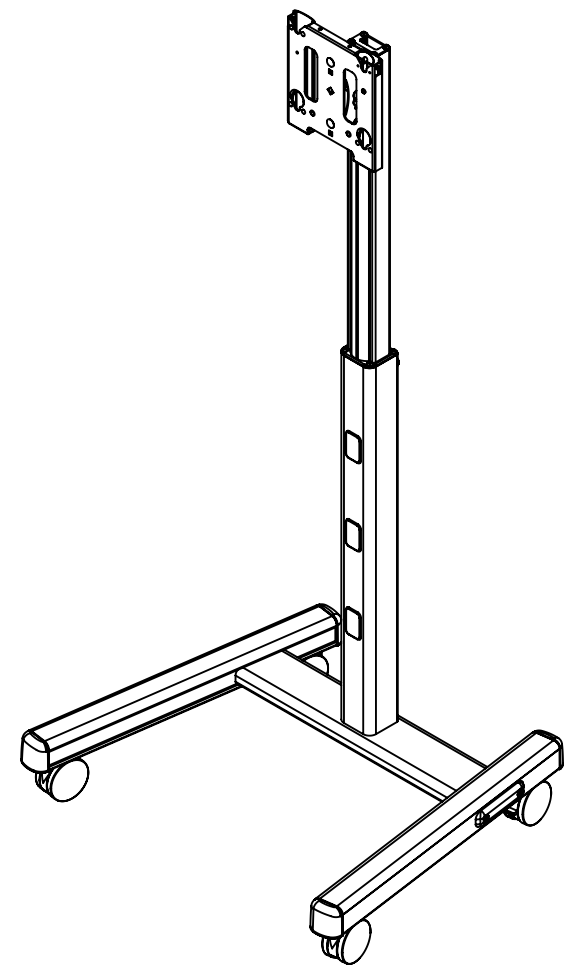
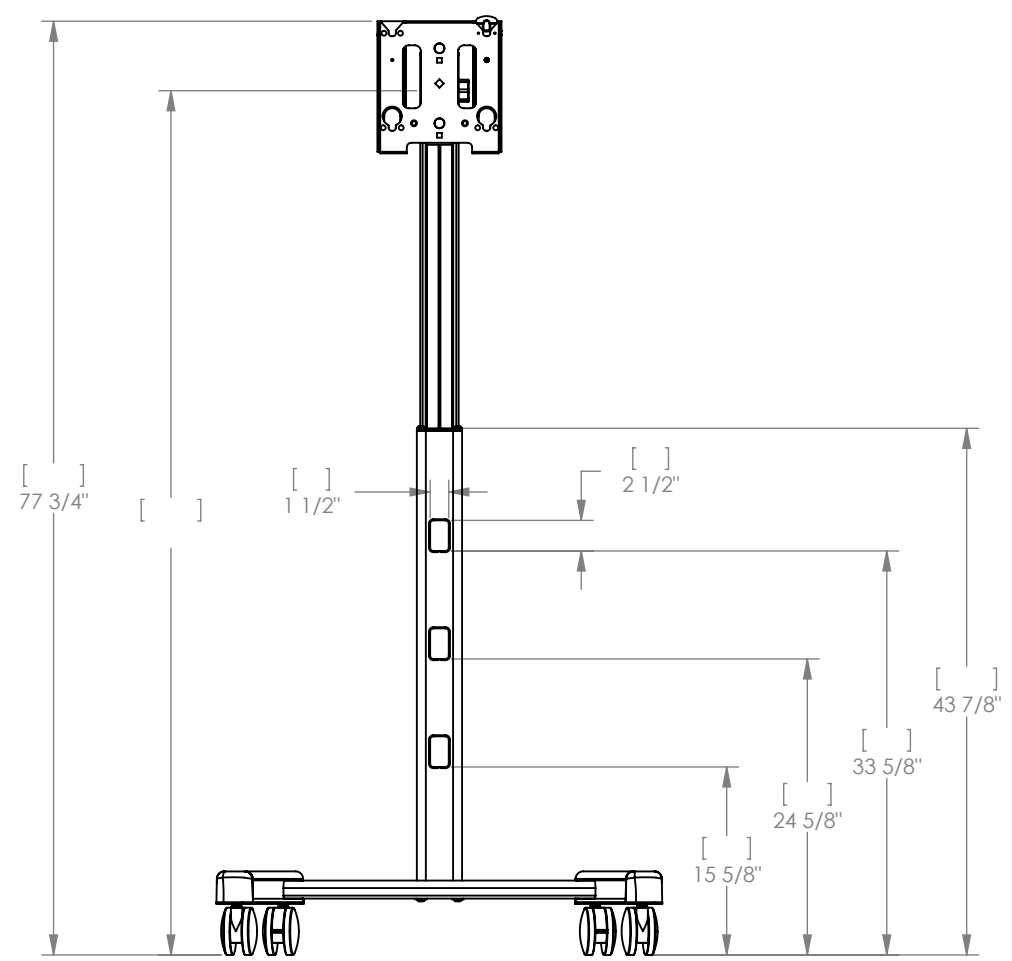
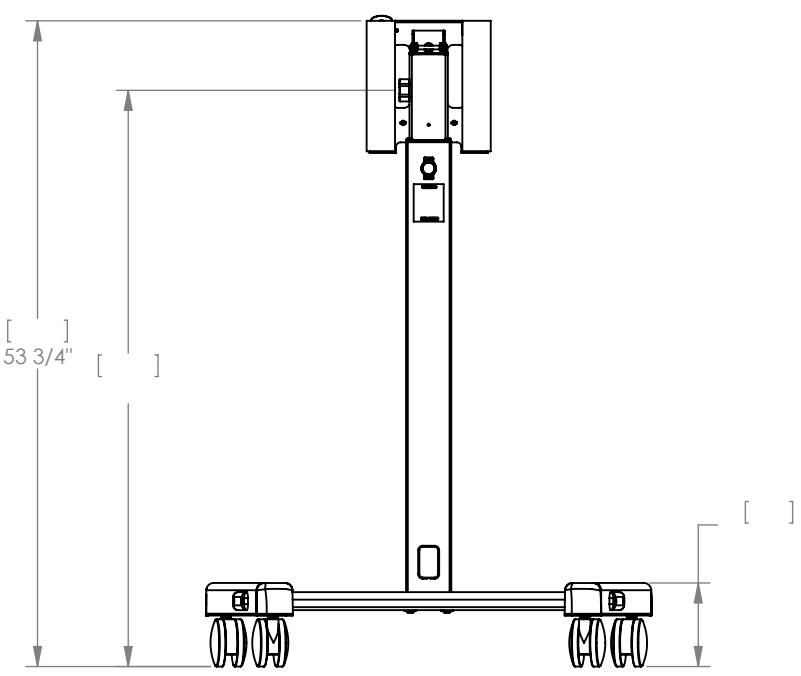
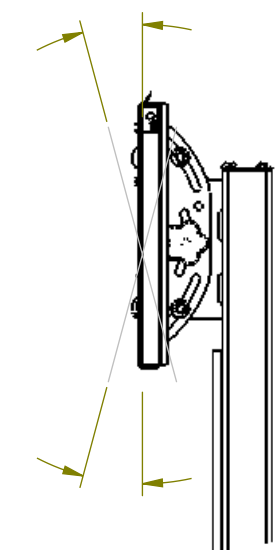


NOTE: CUSTOM INTERAFCE BRACKET NOT SHOWN. THE CUSTOM INTERFACE BRACKET NEEDED FOR YOUR DISPLAY

AND MAY AFFECT LOCATION OF DISPLAY ON THE MOUNT.

SEE MSBU DRAWING ALSO.

PRODUCT FEATURES	
WEIGHT CAPACITY	125 LBS
HEIGHT ADJUSTMENT (GROUND TO MIDDLE OF SCREEN)	48" TO 72" IN 2" INCREMENTS
TILT / ROLL / YAW	±15° / ±0° / ±0°



CHIEF MANUFACTURING INC.
MOUNT ORDER NUMBER IS MFCU
PHONE: 1-800-582-6480
4/17/2007

ALL MEASUREMENTS ARE IN THE FOLLOWING FORMAT:
 [MILLIMETERS]
 INCHES

CONTAINED IN THIS DRAWING MAY BE REPRODUCED OR DISCLOSED TO OTHERS
CHIEF MFG., INC.

CHIEF MANUFACTURING, INC.
 8401 EAGLE CREEK PKWY * SAVAGE, MN 55378
 1.800.582.6480 * fax 1.877.894.6918

TITLE
CUSTOMER PRINT
4' - 6' MOBILE MEDIUM FLAT
PANEL CART

SIZE | DWG. NO.
B **PRODUCT NAME: MFCU**

BRACKET ORDER # MFCU

D

C

B

A