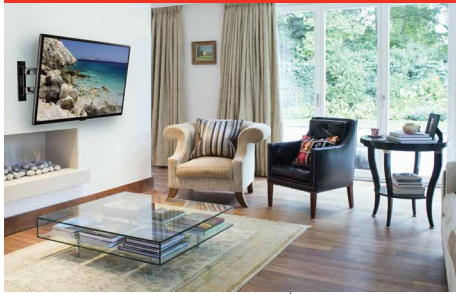


PA740



Mounting Pattern
100 x 100, 200 x 100,
or 200 x 200mm

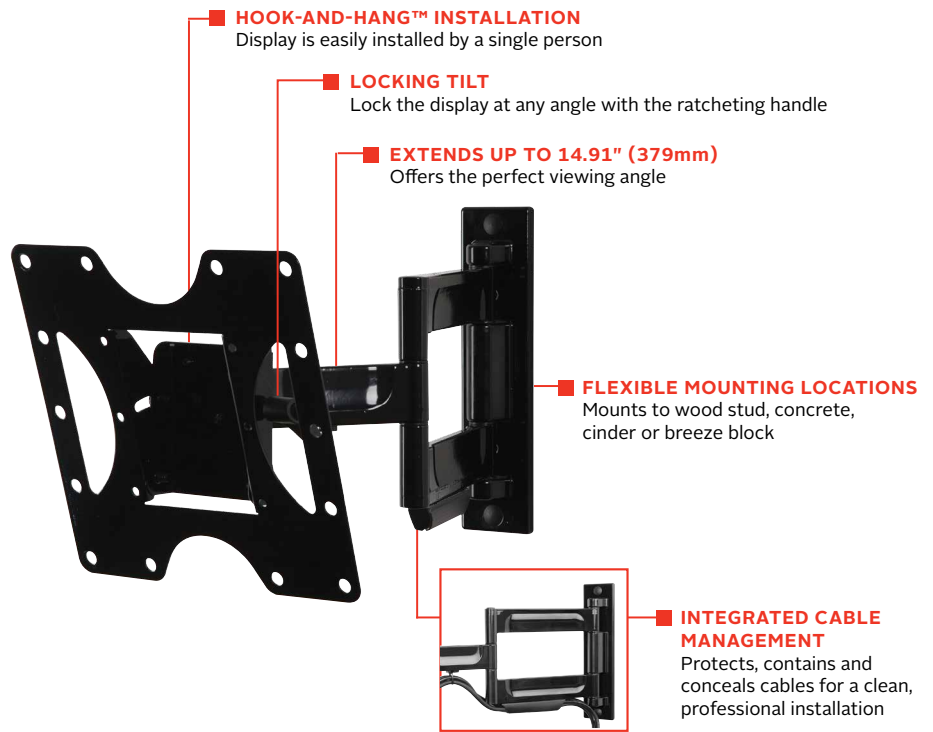


Max Load
80lb
(36kg)

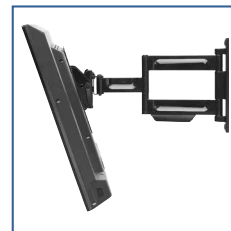
PARAMOUNT™ Articulating Wall Mount FOR 22" TO 43" DISPLAYS*

The Paramount™ series wall mounts provide versatile and multi-functional features. With PA740, extend the display up to 14.91" (379mm) or fully-retract it to just 2.80" (71mm) from the wall for the perfect viewing angle. The Hook-and-Hang™ system offers easy, one-person installation of the display. A ratcheting handle provides locking tilt capability for quick adjustments to the amount of tilt, reducing glare and optimizing the viewing angle. Integrated cable management protects, contains and conceals cables for a clean installation.

- Accommodates 100 x 100, 200 x 100, or 200 x 200mm VESA® mounting patterns
- Extends 14.91" (379mm) from the wall
- Retracts to 2.80" (71mm) to save space
- +15/-5° of tilt for optimal viewing angles
- ±5° of roll for post installation display leveling
- Up to ±90° of pivot
- Design is UL listed and tested to four times stated load capacity



Please visit peerless-av.com/en-us/patents for patent information.



Swivel, tilt, extend or retract the display for the perfect viewing angle.



Comes in color packaging with included installation hardware and easy to follow instructions.

*This display size range is simply a guideline for product selection. Displays larger than the screen size range may still be compatible as long as they fall within the VESA® pattern and max weight of the Peerless-AV® product.

✉ info@peerless-av.com
🌐 peerless-av.com

peerless-AV®
Driving Technology Through Innovation

PA740	Paramount™ Articulating Wall Mount for 22" to 43" Displays
--------------	--

Product Specifications

	DIMENSIONS (W x H x D)	PRODUCT WEIGHT	LOAD CAPACITY	FINISH	AVAILABLE COLORS
PA740	9.40" x 8.74" x 2.80"-14.91" (239 x 222 x 71-379mm)	4.50lb (2.04kg)	80lb (36kg)	Scratch Resistant Fused Epoxy	Gloss Black

Package Specifications

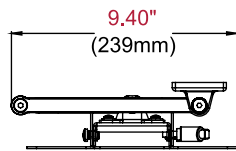
	PACKAGE SIZE (W x H x D)	PACKAGE SHIP WEIGHT	PACKAGE UPC CODE	PACKAGE CONTENTS	UNITS IN PACKAGE
PA740	10.63" x 3.23" x 11.77" (270 x 82 x 299mm)	6.05lb (2.74kg)	735029256090	Wall Mount, Wall and Display Installation Hardware, Installation Instructions	1

Accessories

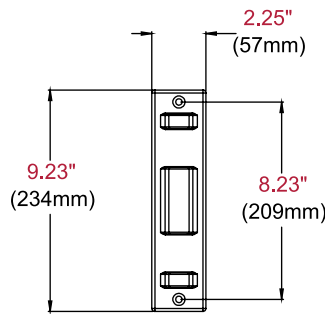
ACC4X4: VESA® 400 x 400mm Adaptor Plate
ACC-UCM: Universal AV Component Mount

ESHV models: AV Wall Shelves
WSP700/WSP701: Metal Stud Wall Plates for 16"/24" Center Metal Studs

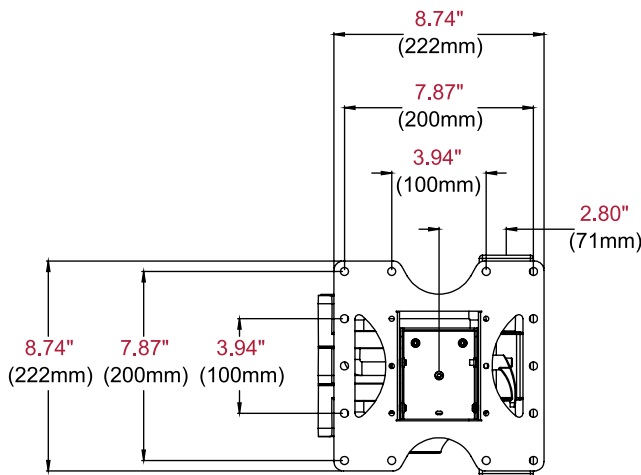
All dimensions = **inch** (mm)



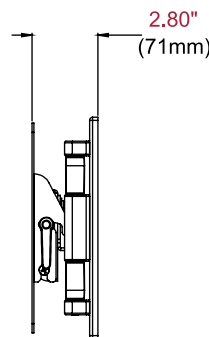
TOP VIEW



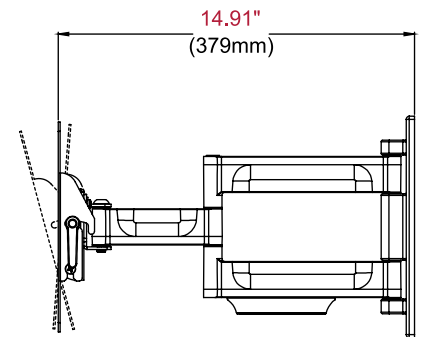
WALL PLATE DETAIL



FRONT VIEW



SIDE VIEW COLLAPSED



**SIDE VIEW EXTENDED
+15°/-5° TILT**

Architect Specifications

The Paramount™ Articulating Wall Mount shall be a Peerless-AV model PA740 and shall be located where indicated on the plans. Assembly and installation shall be done according to instructions provided by the manufacturer.

Visit peerless-av.com to see the complete line of AV solutions from Peerless-AV, including outdoor displays, wireless, kiosks, digital audio, display mounts, projector mounts, carts/stands, and a full assortment of accessories.

Peerless-AV
 2300 White Oak Circle
 Aurora, IL 60502 USA
(800) 865-2112
(630) 375-5100
Fax: (800) 359-6500

Peerless-AV EMEA
 Unit 3 Watford Interchange
 Colonial Way, Watford
 Herts, WD24 4WP
 United Kingdom
+44 (0) 1923 200100
Fax: +44 (0) 1923 200101

Peerless-AV Latin America
 Ave de las Industrias 413
 Parque Industrial Escobedo
 Escobedo, N.L.,
 Mexico 66062
+52 (81) 8384-8300
Fax: +52 (81) 8384-8360

