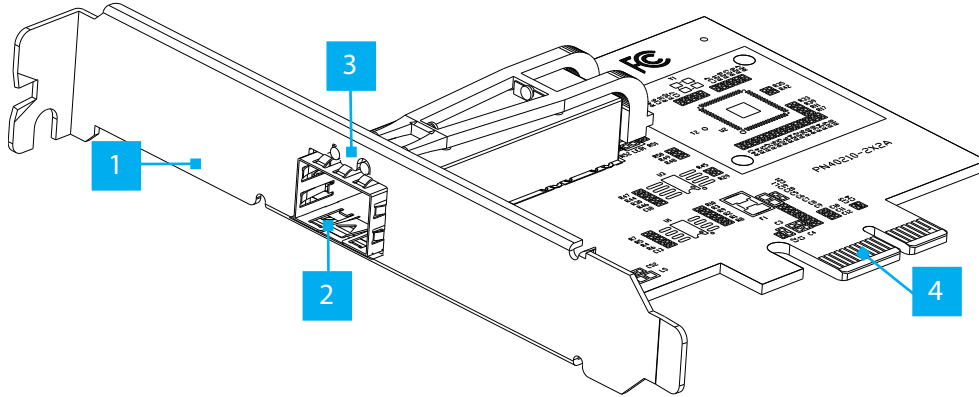


1-Port Open SFP Gigabit Network Card

Product Diagram

P011GI-NETWORK-CARD



*Product may vary from image

	Port/LED/Connector	Function
1	Bracket	<ul style="list-style-type: none"> Secures the card to the Host Computer Case The Full Profile Bracket comes pre-installed
2	Open SFP Slot	<ul style="list-style-type: none"> Add a MSA-Compliant SFP Transceiver Module Supports Fiber or Ethernet 1 Gbps SFPs
3	LED Indicators	<ul style="list-style-type: none"> Left LED Indicator is Link Speed <ul style="list-style-type: none"> Solid Green: 1 Gbps Right LED Indicator is Link Status <ul style="list-style-type: none"> Solid Green: Active link Flashing Green: Activity
4	PCIe 2.1 x1 Connector	<ul style="list-style-type: none"> Insert into a PCI Express Slot on the Host Computer

Package Contents

- Open SFP Network Card x 1
- Low-Profile Bracket x 1
- Quick-Start Guide x 1

Requirements

For the latest requirements, please visit www.startech.com/P011GI-NETWORK-CARD

- Host computer with an available PCI Express 2.0 or greater slot (x1, x2, x4, x8, or x16)

Installation

Install the PCI Express Card

WARNING!

Static Electricity can severely damage **PCI Express Cards**. Ensure that you are adequately **Grounded** before you open your **Host Computer Case** or touch the **PCI Express Card**. You should wear an **Anti-Static Strap** or use an **Anti-Static Mat** when installing any Host Computer component. If an **Anti-Static Strap** isn't available, discharge any built-up static electricity by touching a large **Grounded Metal Surface** for several seconds. Only handle the **PCI Express Card** by its edges and don't touch the gold connectors.

1. Turn off the **Host Computer** and any **Peripheral Devices** that are connected to it (e.g. printers, external hard drives, etc.).
2. Unplug the **Power Cable** from the back of the **Host Computer**.
3. Disconnect any **Peripheral Devices** that are connected to the **Host Computer**.
4. Remove the **Cover** from the **Host Computer Case**. Consult the documentation that came with the **Host Computer** for details about doing this safely.
5. Locate an open **PCI Express Slot** and remove the corresponding **Slot Cover Plate** from the back of the **Host Computer Case**.

Note: Consult the documentation that came with the **Host Computer** for details about doing this safely. This card works in PCI Express x1, x2, x4, x8, or x16 Slots.
6. Gently insert the **PCI Express Card** into the open **PCI Express Slot** and fasten the **Bracket** to the back of the **Host Computer Case**.

Note: If you install the **PCI Express Card** into a **Small Form Factor** or a **Low Profile Desktop System**, it may be necessary to replace the pre-installed standard **Full Profile Bracket** with the included **Low Profile Bracket**.
7. Return the **Cover** onto the **Host Computer Case**.
8. Insert a compatible **1G SFP Transceiver Module**, into the **SFP Slot** onto the **PCI Express Card**.
9. Reconnect the **Power Cable** to the back of the **Host Computer**.

10. Reconnect all of the **Peripheral Devices** disconnected in **Step 3**.
11. Connect a **Fiber** or **Ethernet Network Cable** depending on the **SFP Transceiver Module** used. Connect the other end of the cable to a **Network Device**.
12. Turn on the **Host Computer** and **Peripheral Devices**.

Download the Driver

1. Navigate to www.startech.com/P011GI-NETWORK-CARD
2. Click the **Drivers & Downloads** tab.
3. Under **Driver(s)**, download the **Driver Package**.

Install the Driver

Windows

1. Right-click the zipped **Driver Package** that was downloaded. Click **Extract All**. Follow the on-screen instructions to extract the files.

Note: Windows usually saves the files to the Downloads folder associated with the user account (e.g. C:\Users\useraccount\Downloads).
2. Follow the instructions on the accompanying **Intel_Windows_DIG** file for further **Installation Instructions**.

Regulatory Compliance

FCC - Part 15

This equipment has been tested and found to comply with the limits for a Class B digital device, pursuant to part 15 of the FCC Rules. These limits are designed to provide reasonable protection against harmful interference in a residential installation. This equipment generates, uses and can radiate radio frequency energy and, if not installed and used in accordance with the instructions, may cause harmful interference to radio communications. However, there is no guarantee that interference will not occur in a particular installation. If this equipment does cause harmful interference to radio or television reception, which can be determined by turning the equipment off and on, the user is encouraged to try to correct the interference by one or more of the following measures:

- Connect the equipment into an outlet on a circuit different from that to which the receiver is connected.
- Consult the dealer or an experienced radio/TV technician for help

This device complies with part 15 of the FCC Rules. Operation is subject to the following two conditions:

(1) This device may not cause harmful interference, and (2) this device must accept any interference received, including interference that may cause undesired operation. Changes or modifications not expressly approved by StarTech.com could void the user's authority to operate the equipment.

Industry Canada Statement

This Class B digital apparatus complies with Canadian ICES-003.

Cet appareil numérique de la classe [B] est conforme à la norme NMB-003 du Canada.

CAN ICES-3 (B)/NMB-3(B)

This device complies with Industry Canada licence-exempt RSS standard(s). Operation is subject to the following two conditions:

(1) This device may not cause interference, and (2) This device must accept any interference, including interference that may cause undesired operation of the device.

Le présent appareil est conforme aux CNR d'Industrie Canada applicables aux appareils radio exempts de licence.

L'exploitation est autorisée aux deux conditions suivantes:

(1) l'appareil ne doit pas produire de brouillage, et (2) l'utilisateur de l'appareil doit accepter tout brouillage radioélectrique subi, même si le brouillage est susceptible d'en compromettre le fonctionnement.

Warranty Information

This product is backed by a two year warranty.

For further information on product warranty terms and conditions, please refer to www.startech.com/warranty.

Limitation of Liability

In no event shall the liability of StarTech.com Ltd. and StarTech.com USA LLP (or their officers, directors, employees or agents) for any damages (whether direct or indirect, special, punitive, incidental, consequential, or otherwise), loss of profits, loss of business, or any pecuniary loss, arising out of or related to the use of the product exceed the actual price paid for the product. Some states do not allow the exclusion or limitation of incidental or consequential damages. If such laws apply, the limitations or exclusions contained in this statement may not apply to you.

Linux

1. Extract the contents of the **Driver Package**.
2. Follow the instructions on the accompanying **README** file for further **Installation Instructions**.

Verify the Driver Installation

Windows

1. Navigate to the **Device Manager**.
2. Under **Network Adapters**, right-click **Intel(R) I210 Gigabit Fiber Network Connection** and click the **Properties** option.
3. Confirm that the **Driver** is installed and working as expected.

Linux

Note: Ensure Linux kernel 2.4 (LTS) or higher is being used. Execute the following command from the terminal prompt to check the kernel version, `uname -r`.

1. Open a **Terminal Window** and type the command **sudo dmesg | grep Intel** to check the **Intel Driver Integration**.
2. You should see the following response if the drivers are present, **Intel(R) Gigabit Network Driver**.

Safety Measures

- Read the entire manual and ensure the instructions are fully understood before assembling and/or using this product.

Mesures de Sécurité

- Lisez tout le manuel et assurez-vous que vous comprenez les instructions avant de commencer à assembler et utiliser ce produit.

安全対策

- 最初に取扱説明書を最後まで読み、本製品の組み立て方をすべて理解してから組み立て作業を始めて下さい。

Misure di Sicurezza

- Leggere l'intero manuale e assicurarsi di aver compreso tutte le istruzioni prima di iniziare ad assemblare e a utilizzare questo prodotto.

Säkerhetsåtgärder

- Läs hela manualen och se till att du förstår instruktionerna innan du börjar montera och använda produkten.

Medidas de Seguridad

- Lea todo el manual y asegúrese de haber comprendido bien las instrucciones antes de proceder con el ensamblaje y el uso de este producto.



Points de collecte sur www.quefairedemesdechets.fr
Privilégiez la réparation ou le don de votre appareil !

StarTech.com Ltd.
45 Artisans Crescent
London, Ontario
N5V 5E9
Canada

StarTech.com LLP
4490 South Hamilton
Road
Groveport, Ohio
43125
U.S.A.

StarTech.com Ltd.
Unit B, Pinnacle 15
Gowerton Road
Brackmills,
Northampton
NN4 7BW
United Kingdom

StarTech.com Ltd.
Siriusdreef 17-27
2132 WT Hoofddorp
The Netherlands

FR: startech.com/fr
DE: startech.com/de
ES: startech.com/es
NL: startech.com/nl
IT: startech.com/it
JP: startech.com/jp