

MOD-PJF2KIT100-CPF-B
MOD-PJF2KIT150-CPF-B



Max load
50lb (22kg)

Modular Series PJF2 Projector Mount Ceiling Kit

FOR PROJECTORS UP TO 50LB (22KG)

The Peerless-AV® Modular Mount Series includes a small and easily manageable number of sku's, yet provides a full range of options that can fulfill a vast majority of end-user requirements. Universal components make it quick and easy to design and configure the perfect custom projector mounting solution, ideal for any application. Designed around a 2" (50mm) diameter Extension Pole, the line is ideal for new projects as well as upgrading existing installations. The MOD-PJF2KIT100-CPF-B/150-CPF-B Ceiling Mount Kits include all of the components required to mount a projector from the ceiling. As part of the Peerless-AV Modular Series, it can be expanded with additional Modular accessories (sold separately) to accommodate virtually any custom configuration.

- Kit includes: Ceiling Plate
39" (1m) or 59" (1.5m)
black Extension Pole
PJF2 Projector Mount
Universal Spider® Projector
Mount Adaptor
- Configurable projector installation
with drops of 39" (1m) or 59"
(1.5m) in height
- Universal Spider® Adaptor
designed to work with nearly all
projectors weighing up to
50lb (22kg)
- Ball and socket design provide
simple tilt, roll and swivel
adjustments
- Specifications:
Tilt: $\pm 15^\circ$ Roll: $\pm 15^\circ$ Swivel: 360°
All with positive lock at any degree



Universal Spider®
Adaptor (Included)



Ceiling Plate
(Included)

RoHS

MOD-PJF2KIT100-CPF-B Modular Series PJF2 Projector Mount Ceiling Kit for Projectors up to 50lb (22kg); 39" (1m) height
MOD-PJF2KIT150-CPF-B Modular Series PJF2 Projector Mount Ceiling Kit for Projectors up to 50lb (22kg); 59" (1.5m) height

Product Specifications

	DIMENSIONS (W X H X D)	PRODUCT WEIGHT	LOAD CAPACITY	FINISH	AVAILABLE COLORS
MOD-PJF2KIT100-CPF-B	18.07" x 48.93" x 18.07" (459 x 1243 x 459mm)	11.69lb (5.3kg)	50lb (22kg)	Powder Coat	Black
MOD-PJF2KIT150-CPF-B	18.07" x 68.61" x 18.07" (459 x 1743 x 459mm)	13.45 lb (6.1kg)			

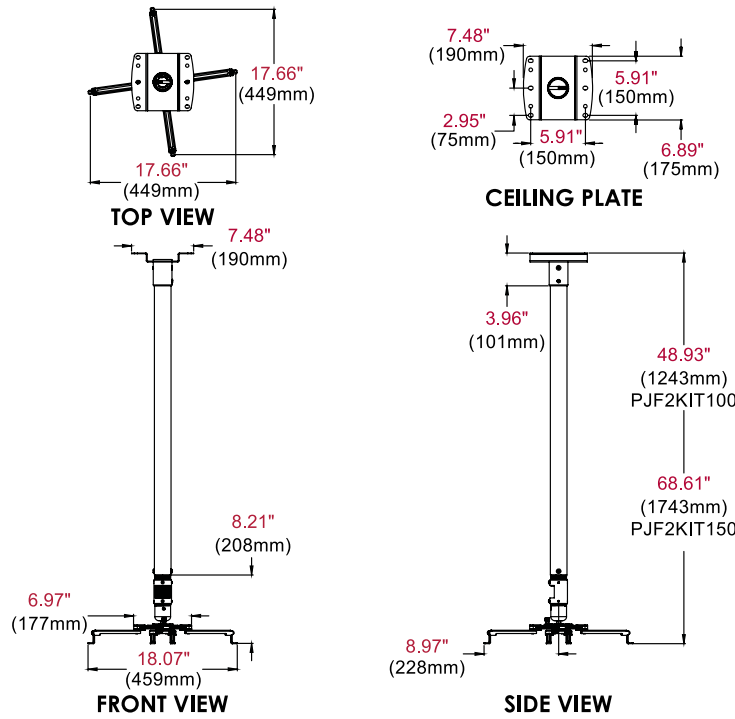
Package Specifications

	PACKAGE SIZE (W x H x D)	PACKAGE SHIP WEIGHT	PACKAGE UPC CODE	PACKAGE CONTENTS	UNITS IN PACKAGE
MOD-PJF2KIT100-CPF-B	11.50" x 4.44" x 41.13" (282 x 113 x 1045mm)	16.7lb (7.58kg)	735029332046	- MOD-CPF Ceiling Plate - MOD-P100 1.0m Extension Pole or MOD-P150 1.5m Extension Pole	1
MOD-PJF2KIT150-CPF-B	12.00" x 5.00" x 62.50" (305 x 127 x 1588mm)	19.55lb (8.87kg)	735029332053	- MOD-ATA Projector Mount Adaptor - PJF2 Projector Mount - ACC850 Column Connector with Cord Management	

Accessories

- MOD-CPI:** I-Beam Ceiling Plate, Flat
- MOD-AUB:** Accessory U-Bolt Adaptor
- MOD-CPC(-W):** Ceiling Plate, Cathedral
- MOD-CPF:** Square Ceiling Plate, Flat (7.4" x 6.8")
- MOD-ACF(-W):** Accessory Cover for MOD-CPF Ceiling Plate
- MOD-P100(-B):** 50mm Extension Pole - 39" (1.0m)
- MOD-P150(-B):** 50mm Extension Pole - 59" (1.5m)
- MOD-P200(-B):** 50mm Extension Pole - 78" (2.0m)
- MOD-P300(-B):** 50mm Extension Pole - 118" (3.0m)
- MOD-ATD-W:** Accessory Trim Disc
- MOD-APC:** Accessory Pole Coupler
- MOD-ADF:** Accessory Drill Fixture for 50mm Pole
- MOD-ATA:** Projector Mount Adaptor

All dimensions = inch (mm)



Architect Specifications

The Modular Series PJF2 Projector Mount Ceiling Kit shall be a Peerless-AV model MOD-PJF2KIT100-CPF-B or MOD-PJF2KIT150-CPF-B and shall be located where indicated on the plans. Assembly and installation shall be done according to instructions provided by the manufacturer.

Visit peerless-av.com to see the complete line of AV solutions from Peerless-AV, including outdoor displays, wireless, kiosks, digital audio, display mounts, projector mounts, carts/stands, and a full assortment of accessories.

Peerless-AV
 2300 White Oak Circle
 Aurora, IL 60502 USA
(800) 865-2112
(630) 375-5100
Fax: (800) 359-6500

Peerless-AV EMEA
 Unit 3 Watford Interchange
 Colonial Way, Watford
 Herts, WD24 4WP
 United Kingdom
+44 (0) 1923 200100
Fax: +44 (0) 1923 200101

Peerless-AV Latin America
 Ave de las Industrias 413
 Parque Industrial Escobedo
 Escobedo, N.L.,
 Mexico 66062
+52 (81) 8384-8300
Fax: +52 (81) 8384-8360

