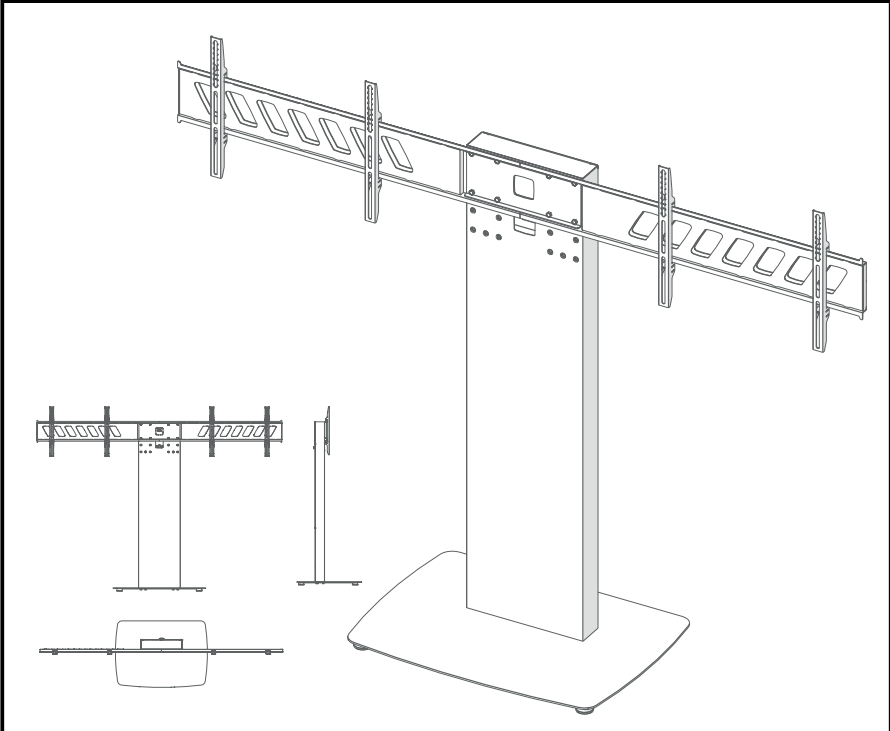


## RH200HD



Screen Size: 71-86" | Guide Max. Weight: 100kg

*\*Please check model specific details before installing\**

Revised 22/01/21

### WARNING

Please carefully inspect the product before assembling. If you notice any apparent damage, call your carrier claims agent and do not continue the installation until it has been reviewed. Please watch for pinch points. Do not put your fingers between moveable parts. Do not tamper with or disassemble any spring loaded parts. Before installing, make sure that the supporting surface will support five times the combined load of the solution and the hardware. Never exceed the maximum load capacity. Please also layout all components to ensure that you have all of the required parts before proceeding (see BOM list on following page). Use of this product for anything other than its specified use may result in failure or personal injury. This product is intended for indoor use only. We recommend using a qualified trades person for installation. Use an assistant or lifting equipment to lift and position products.

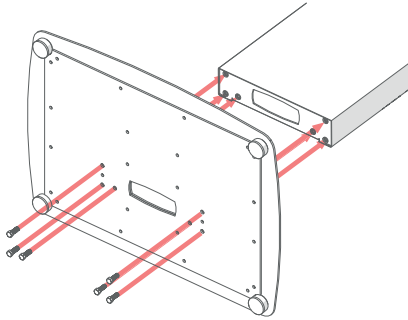
*For support, please call: +44 (0)1865 767676 or email: sales@unicol.com*

#	TOOLS REQUIRED
1	Pozi Head Screwdriver
2	4mm & 5mm Allen Keys
3	19mm Spanner
4	17mm Spanner

INSTALLERS REQUIRED
2

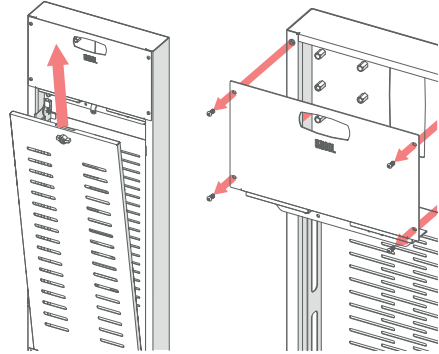
**COMPONENTS**

#	DESCRIPTION	QTY
1	Heavy Duty Arms (1x Left, 1x Right)	1
2	Universal Mount Arms	4
3	Rhobus Mast (inc. cabinet door)	1
5	Rhobus Stand Base	1
6	Front Fixing Panel	1
7	Fixing Kit	1



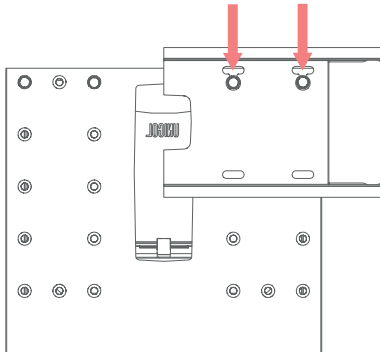
### STEP 1

Lying the mast on a flat surface, connect base to mast as shown. The cabinet door side should be on the rear of the stand. The base should also have less space at the rear than at the front.



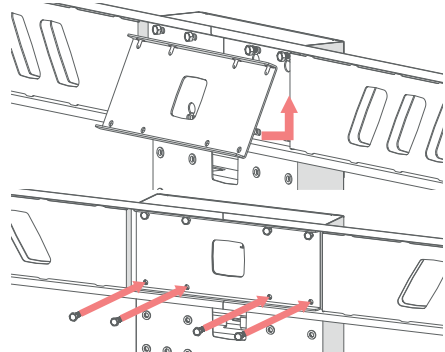
### STEP 2

Unlock and lift out rear door. Remove upper rear panel by unscrewing 4x M6 screws.



### STEP 3

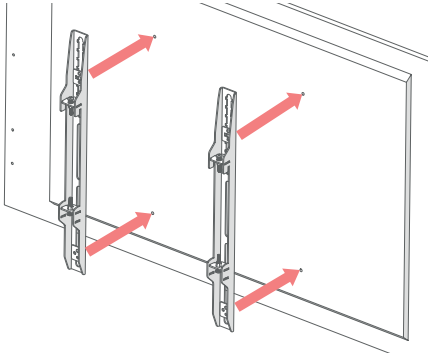
Ensuring that the top 4 bolts are half screwed into position at the top of the mast, take one of the heavy duty arms and slide the bolts through the key hole slots and allow the arm to rest on the bolts. Repeat for the other side.



### STEP 4

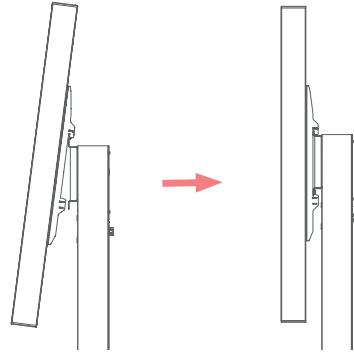
Before tightening the bolts, take the front fixing panel and, using the keyhole slots, slide the panel into position. Tighten the top four bolts.

Fix four bolts into the bottom four holes.



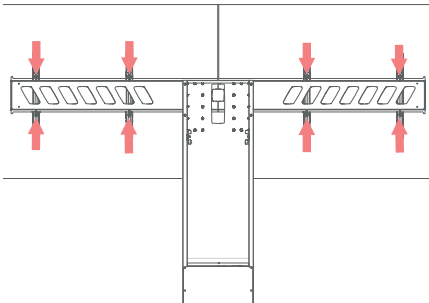
### STEP 5

Locate the mounting holes on the back of your screen. Line the two mounting arms up and using the taglocks/two part spacers provided and the manufacturer recommended screws, attach the arms to the back of the screen.



### STEP 6

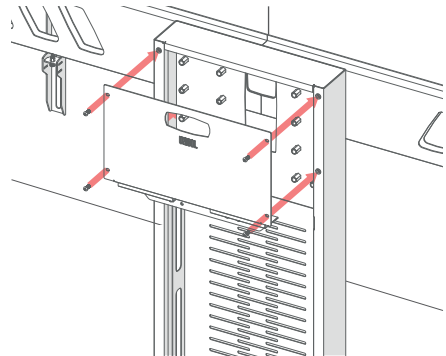
Line the screen and arms up with the secured heavy duty arms and offer it up at a slight angle - allowing the top of the mount arms to hook over the lip of the heavy duty arms.



### STEP 7

Repeat Steps 6 & 7 for the second screen.

Adjust the level of the screen with the two top screws on the mount arms. Once levelled secure the screen by tightening the bottom two screws.



### STEP 8

Feed cables for screen through hole in backplate and front of mast and down through the mast and out through the bottom of the mast/base.

Refit rear top panel using x4 M6 screws. Refit rear door and lock.