

1 2 3 4 5 6

A

A

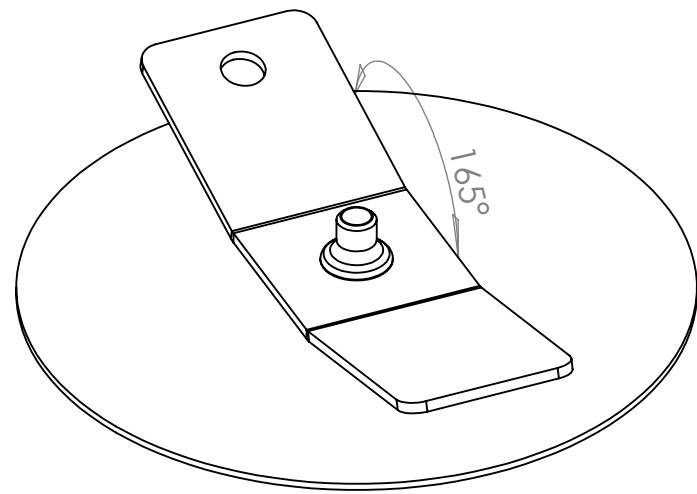
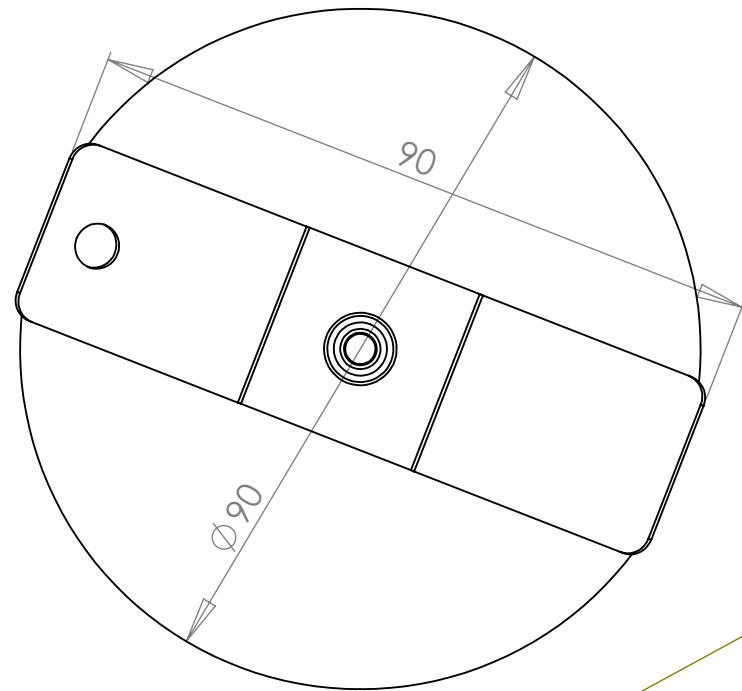
B

B

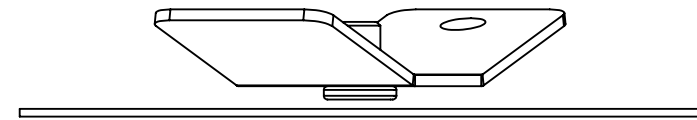
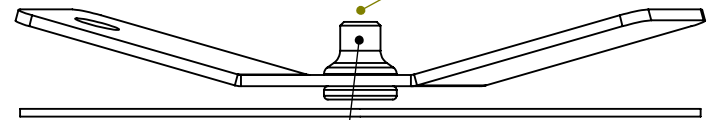
C

C

D



M4 x 16
Weld Stud



M4 Rivnut
9mm Diameter
Flange

Bend V Tool

Description		Tdb1 Trim Disc Blanking Plate - 5Cm Fitting			
UNLESS OTHERWISE SPECIFIED: DIMENSIONS ARE IN MILLIMETERS		Mod Date	20/01/2018	REVISION	Bend & Machine Number
		Drawn Date:	31/10/2012	A-006	
SURFACE FINISH: Powder Coated		Material		DWG NO. Ass--20015293	
DRAWN Jim Morley		Gauge			
Unicol Engineering Green Road Oxford OX3 8EU				A4	
WEIGHT: 0.080.08		Kg		SCALE:1:1 DO NOT SCALE DRAWING SHEET 1 OF 1	

1 2 3 4 5 6