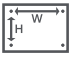



ESA763PU



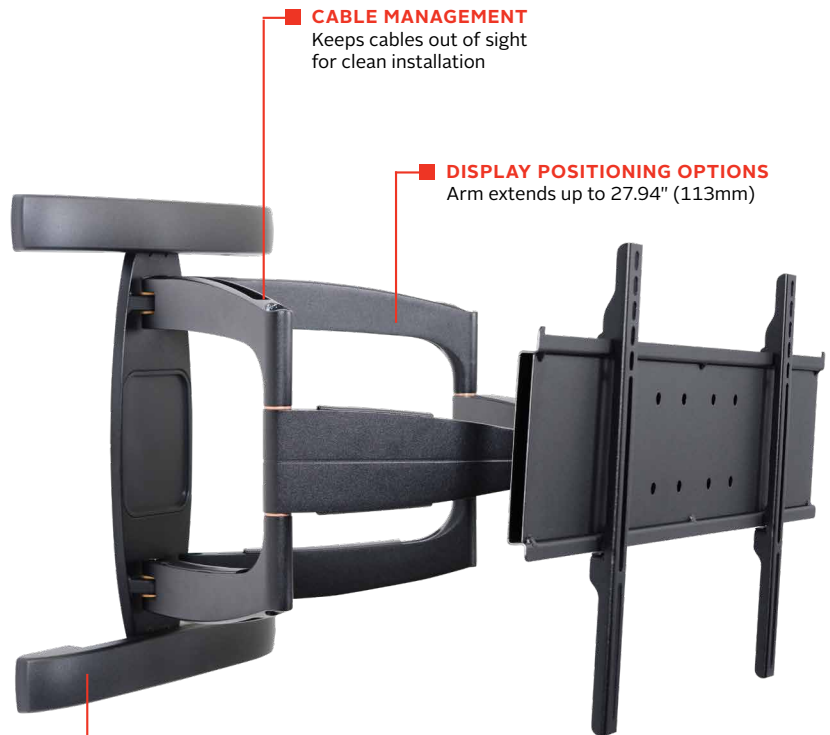
	Mounting Pattern Up to 730 x 405mm (28.74" x 15.94")		Max Load 200lb (91kg)
---	---	---	------------------------------------

Outdoor Articulating Wall Mount

FOR 32" TO 86" INDOOR OR OUTDOOR DISPLAYS

Peerless-AV's Outdoor Articulating Wall Mount is the ideal mounting solution for 32"-86" indoor or outdoor displays. The ESA763PU is specially coated with a protective anti-corrosive e-coating that repels against damaging temperature-related and outdoor corrosive elements. This all-season mounting solution is ideal for patios or decks, as well as installations in humid indoor areas like sun-rooms, locker rooms, bathrooms, car washes, indoor pools or water parks.

- Made of corrosion-resistant materials for weather resistance
- Fits displays with mounting patterns up to 730 x 405mm (28.74"W x 15.94"H) and up to 600 x 400mm VESA® compliant
- Dual arm construction for added strength and smooth motion on larger displays
- Universal model extends from 4.44" (113mm) to 27.94" (710mm) from the wall
- Minimalistic wall plate footprint for increased wall access and improved aesthetic
- Integrated cable management provides ample area to run cables to complete a professional and discrete installation
- IncreLok™ tilt allows adjustment of +15°/-5°
- Wood, concrete and cinder block mounting hardware included



CABLE MANAGEMENT
Keeps cables out of sight for clean installation

DISPLAY POSITIONING OPTIONS
Arm extends up to 27.94" (113mm)

POST INSTALLATION HORIZONTAL ADJUSTABILITY
Double stud mounting option with 4.5" (114mm) of horizontal adjustment



Please visit peerless-av.com/en-us/patents for patent information.

✉ info@peerless-av.com
🌐 peerless-av.com

peerless-AV®
Driving Technology Through Innovation

ESA763PU Outdoor Articulating Wall Mount for 32" to 86" Indoor or Outdoor Displays

Product Specifications

	DIMENSIONS (W x H x D)	PRODUCT WEIGHT	LOAD CAPACITY	FINISH	AVAILABLE COLORS
ESA763PU	30.75" x 19.92" x 4.44"-27.94" (781 x 506 x 113 - 710mm)	36.7lb (16.6kg)	200lb (91kg)	E-Coat Covered with Outdoor Powder Paint	Black

Package Specifications

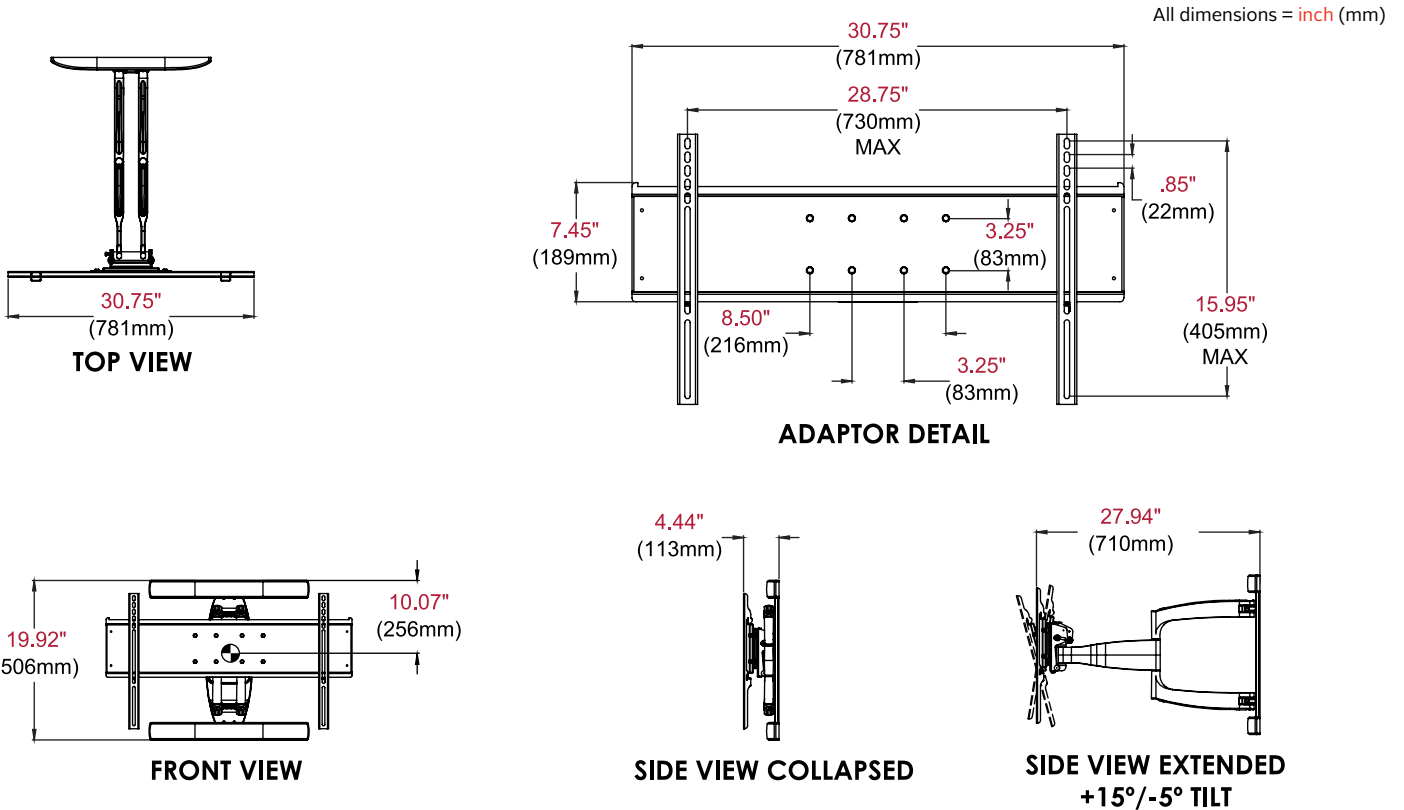
	PACKAGE SIZE (W x H x D)	PACKAGE SHIP WEIGHT	PACKAGE UPC CODE	PACKAGE CONTENTS	UNITS IN PACKAGE
ESA763PU	37.75" x 21.25" x 5.63" (958 x 539 x 142mm)	42.7lb (19.4kg)	735029276050	Mount and Mounting Hardware	1

Accessories

HDS-OWRE-300: Wireless Outdoor Module

Compatible with

- UV492: 49" UltraView™ UHD Outdoor TV
- UV552: 55" UltraView™ UHD Outdoor TV
- UV652: 65" UltraView™ UHD Outdoor TV
- UV862: 86" UltraView™ UHD Outdoor TV
- XHB432: 43" Xtreme™ High Bright Outdoor Display
- XHB492: 49" Xtreme™ High Bright Outdoor Display
- XHB552: 55" Xtreme™ High Bright Outdoor Display



Architect Specifications

The Outdoor Articulating Wall Mount shall be a Peerless-AV model ESA763PU and shall be located where indicated on the plans. Assembly and installation shall be done according to instructions provided by the manufacturer.

Visit peerless-av.com to see the complete line of AV solutions from Peerless-AV, including outdoor displays, kiosks, digital audio, display mounts, projector mounts, carts/stands, and a full assortment of accessories.

Peerless-AV
2300 White Oak Circle
Aurora, IL 60502 USA
(800) 865-2112
(630) 375-5100
Fax: (800) 359-6500

Peerless-AV EMEA
Unit 3 Watford Interchange
Colonial Way, Watford
Herts, WD24 4WP
United Kingdom
+44 (0) 1923 200100
Fax: +44 (0) 1923 200101

Peerless-AV Latin America
Av. de las Industrias 413
Parque Industrial Escobedo
General Escobedo, N.L.,
México, 66062
+52 (81) 8384-8300
Fax: +52 (81) 8384-8360

