

## User Guide

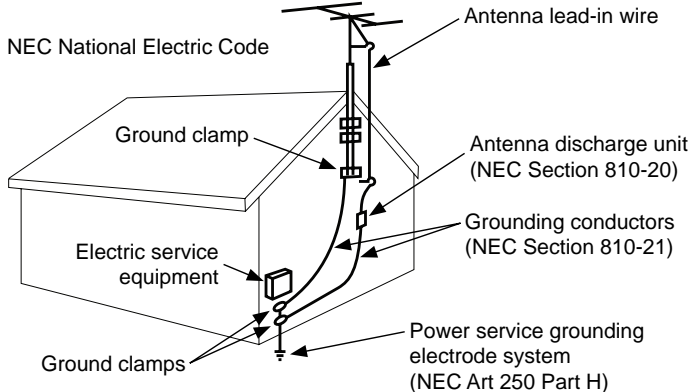
### XTREME™ HIGH BRIGHT OUTDOOR DISPLAY



# SYSTEM INSTALLATION AND ELECTRICAL REQUIREMENTS

## Electrical Code

Note: To the display system installer: This reminder is provided to call attention to Article 820-44 of the National Electric Code that provides guidelines for proper grounding and, in particular, specifies that the cable ground shall be connected to the grounding system of the facility. Outlet shall be installed near the equipment and shall be easily accessible.



Note: Installation shall incorporate UL Listed external surge protection rated 2500 Vpk or less, for 150 to 300 Vac mains, installed in accordance with Article 285 of ANSI/NFPA 70 or applicable local codes.

## Power Source

The display must be connected to a mains socket outlet with a protective grounding connection.

The mains plug is used as the disconnect device and shall remain readily accessible.

Electrical installation shall be in accordance with the applicable parts of Chapter 8 of ANSI/NFPA 70.

An outdoor antenna should not be located near overhead electrical lines or any electrical circuits.

If an outside antenna is connected to the receiver, confirm that the antenna system is grounded to protect against voltage surges and built up static charges. Section 810 of the National Electric Code, ANSI/NFPA No 70-1984, provides information with respect to proper grounding for the mast and supporting structure, grounding of the lead-in wire to an antenna discharge unit, size of grounding connectors, location of antenna discharge unit, connection to grounding electrodes and requirements for the grounding electrode.

This display operates on 100-240 volts 50-60 Hz, AC current. Insert the power cord into a 120 volt 60 Hz outlet. Never connect the display to direct current or anything other than the specified voltage.

To prevent electric shock from the display, do not use with an extension cord, receptacle, or other outlet unless the blades and ground terminal can be fully inserted to prevent blade exposure.

All secondary lines must be routed through grounded conduit and kept separate from AC line.

## **FCC CAUTION**

---

To assure continued compliance and possible undesirable interference, ferrite cores may be used when connecting this display to video equipment; maintain at least 400mm (15.75 inches) spacing to other peripheral devices.

## **FCC STATEMENT**

---

This equipment has been tested and found to comply with the limits for a Class A digital device, pursuant to Part 15 of the FCC Rule. These limits are designed to provide reasonable protection against harmful interference in a residential installation. This equipment generates, uses and can radiate radio frequency energy and, if not installed and used in accordance with these instructions, may cause harmful interference to radio communications; however, there is no guarantee that interference will not occur in a particular installation. If this equipment does cause harmful interference to radio or television reception, which can be determined by turning the equipment off and on, the user is encouraged to try to correct the interference by one or more of the following measures:

1. Reorient or relocate the receiving antenna.
2. Increase the separation between the equipment and receiver.
3. Connect the equipment into an outlet on a circuit different from that to which the receiver is connected.
4. Consult the dealer or an experienced radio/display technician for help.

This device complies with Part 15 of the FCC Rules. Operation is subject to the following two conditions:

- This device may not cause harmful interference.
- This device must accept any interference received, including interference that may cause undesired operation.

## **Relevant Information**

---

Record your display's model and serial number here for future reference. Keep this user manual in an accessible location in the event service is required.

Note: Your display's serial number can be found on the box and underneath the rear cover plate.

Model Number \_\_\_\_\_

Serial Number \_\_\_\_\_

# GENERAL SAFETY PRECAUTIONS

## Read before operating equipment

Thank you for purchasing our product. Before using it, please read this user guide carefully and follow the instructions for safe operation. Please keep this manual for future reference and always include it when transferring or transporting this product to a different location.

### **▲ WARNING**

In case of emergency such as fire or electric shock caused by the product, immediately contact 911 or proper emergency police/fire service agencies in your country.

To reduce the risk of electric shock or fire, heed the following:

- In case of product malfunction or unusual events such as electrical burning smell, smoke, or loss of content signals due to internal overheating, immediately turn off, unplug the electrical cord and contact the manufacturer.
- Do not disassemble, modify or service product in any way other than that contained in this instruction. Any unauthorized modifications made to the product automatically void product warranty.
- Do not touch antenna lines or wires, electrical cables or plugs when lightning or thunder is present or with wet hands.
- Do not submerge in water.
- Do not destroy, process, or place close to any heat source.
- Do not install near poisonous gas or chemically unstable atmosphere.
- Do not install near strong magnetic or electrical current field.
- Do not install the product in unstable locations or near moving objects, constantly vibrating equipment, or uneven surfaces.
- Do not leave any fire source, such as candles, close to or on the product.
- Do not operate the product if it has been dropped or struck. Severe physical impact to the product may cause components to fall out of place within and break.
- Do not bend or twist electrical cords, electrical plugs, cables, or wires with excessive force.
- Do not block ventilation slots or place any heavy object on the product.
- Use properly rated electrical voltage.
- Do not use any electrical sockets or power strips with many other devices jointly plugged in. Use a single, directly dedicated and rated GFCI electrical outlet for the product for safe operation.
- Do not move or transport with any cables (electrical, content connectivity) plugged in to the source devices.
- Always connect the electrical plug firmly and completely. When disconnecting any cables, always pull on the plug and not the cord.
- Always leave the power off when plugging or unplugging the electrical cords or connection cables.
- Do not defeat the safety purpose of the polarized or grounding type electrical plug. A polarized plug has two blades with one wider than the other. A grounding type plug has two blades and a third grounding prong. The wide blade or the third prong are provided for your safety. If the provided plug does not fit into your outlet, consult an electrician for replacement of the obsolete outlet.
- Protect the electrical cord from being walked on or pinched particularly at plugs, convenience receptacles, and the point where they exit from the apparatus.

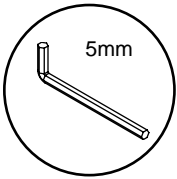
## **▲ WARNING**

- Never apply pressure to the exterior of the LCD screen.
- If monitor or glass is broken, do not come in contact with the liquid crystal and handle with care.
- Do not climb on the product.
- Do not install within five feet from a body of water.
- Do not use if ambient air temperature exceeds the operating limits; Maximum operating temperature is -31°F ~ 140°F (-35°C ~ 60°C).
- High solar loads may require reducing maximum operation temperature by 14°F (-10°C) to reduce the possibility of temporary screen artifacts.
- Do not install in enclosure or recessed cavity with less than 2 inches of airflow around the display. Air inside fully encased display must be ventilated. Installations within any third party enclosure without written authorization from Peerless-AV are not covered by the Peerless-AV Limited Warranty, nor any extended warranty.
- When installing in an enclosure or recessed cavity, the internal temperatures of those locations must not exceed the maximum operating temperatures as listed above.
- The product is to be secured to building before operation.
- Product must be carried and supported by at least two persons.
- Periodically clean dust off the electrical plug to keep it clean and dry, ensuring proper and safe operation.
- Only use attachments/accessories specified by the manufacturer.

## **CAUTION**

To avoid image retention/burn-in on the LCD screen, do not allow static images to display for longer than 20 minutes at a time. Image retention is considered improper use of an LCD and is not covered by the Peerless-AV Limited Warranty, nor any extended warranty.

Tools Needed for Assembly.



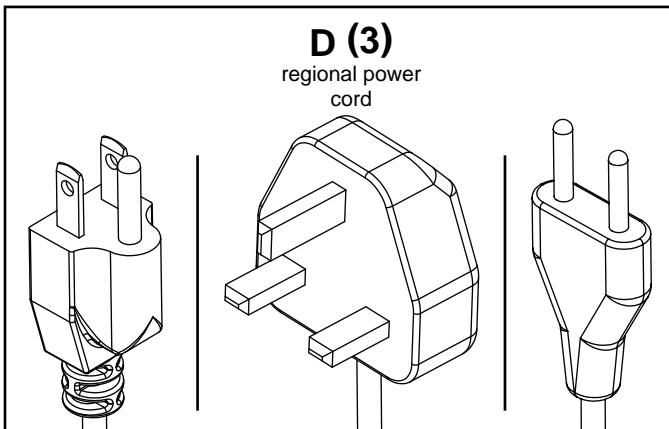
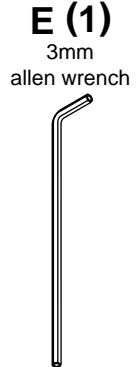
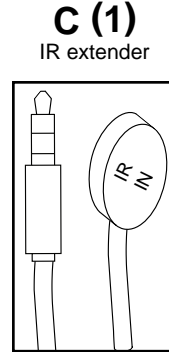
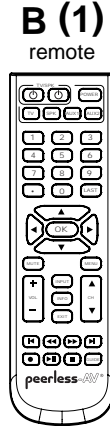
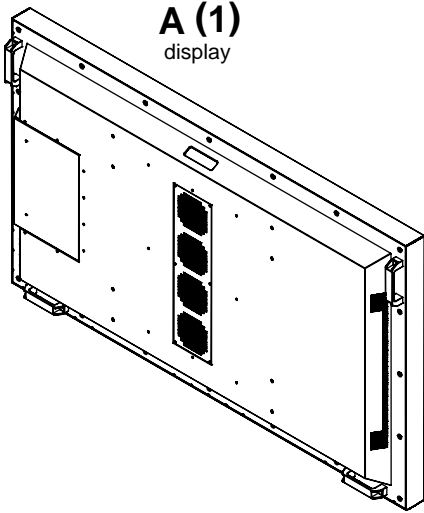
# CONTENTS

System Installation and Electrical Requirements .....	2
Electrical Code .....	2
Power Source .....	2
FCC Caution.....	3
FCC Statement.....	3
Relevant Information .....	3
General Safety Precautions .....	4
Set Up Instructions .....	7
Parts List .....	7
Removing Cord Cover .....	8
Installing Power Cord .....	9
Installing IR Extender .....	9
Installing ALS Extender .....	9
Connecting Cords.....	10
Replacing Cord Cover .....	12
Removing Handle Hardware .....	13
Connect to the Power Source .....	13
Prepare the Display for Mounting.....	14
Remote Control Battery Installation and Replacement .....	16
Operating Instructions .....	17
Power On/Off the Display .....	17
Onboard Controls .....	17
Navigating the On-Screen Menu .....	18
Picture .....	18
Audio .....	19
Time .....	20
Setup .....	21
Lock .....	24
USB Functionality .....	25
(RS-232C) Serial Control of the Display .....	27
Maintenance .....	28
Care of the Screen .....	28
End of Life Directives .....	28
Clean Fan Filter .....	29
Warranty .....	96

# SET UP INSTRUCTIONS

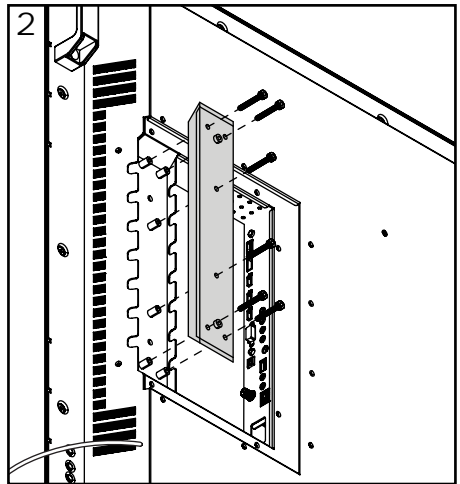
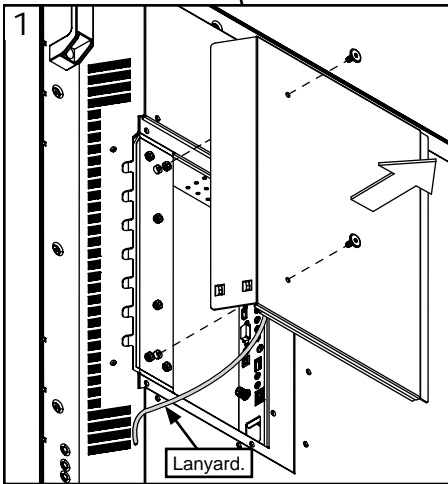
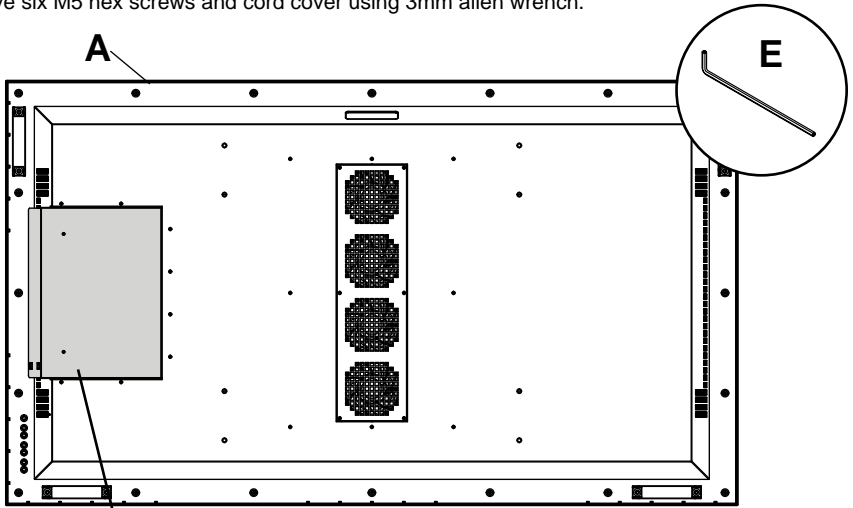
## Parts List

Description	Qty
A display	1
B remote (batteries included)	1
C IR extender	1
D regional power cord	3
E 3mm allen wrench	1
F user guide (not shown)	1
G technical support insert (not shown)	1



## Removing Cord Cover

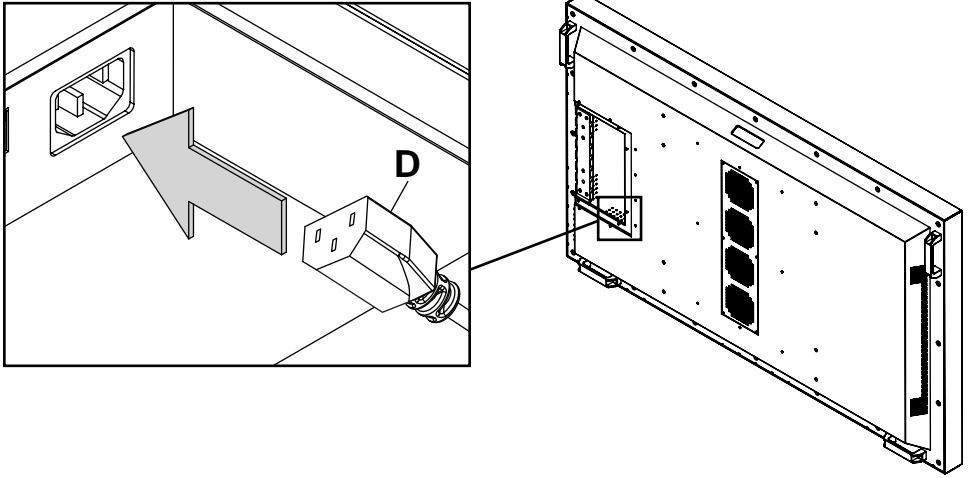
1. Remove two M5 low-profile hex screws and rear cover plate using 3mm allen wrench. Do not disconnect lanyard.
2. Remove six M5 hex screws and cord cover using 3mm allen wrench.





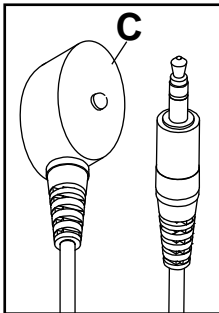
## Installing Power Cord

Insert female end of power cord into power port located inside the input compartment.



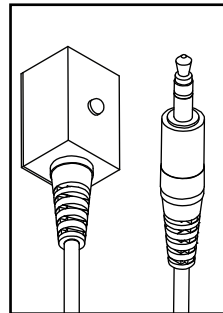
## Installing IR Extender (Optional)

Insert the 3.5mm end of the included 5V IR extender into the IR Extender port on the input panel of the display. IR extender port may not be compatible with other third party extenders.



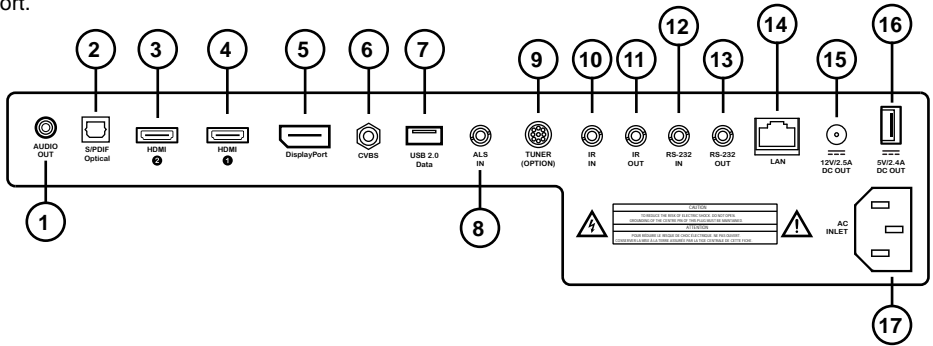
## Installing Ambient Light Sensor (ALS) Extender (Optional)

Insert the 3.5mm end of the ALS Extender (ACCD-ALS sold separately) into the ALS Extender port on the input panel of the display. Connecting the ALS Extender will disable the ALS that is built into the display.



## Connecting Cords

Connect source devices to appropriate display input. Make all connections prior to powering on the display. The USB 2.0 Data port is for service and media only. For 5VDC power, use the 5VDC power port.



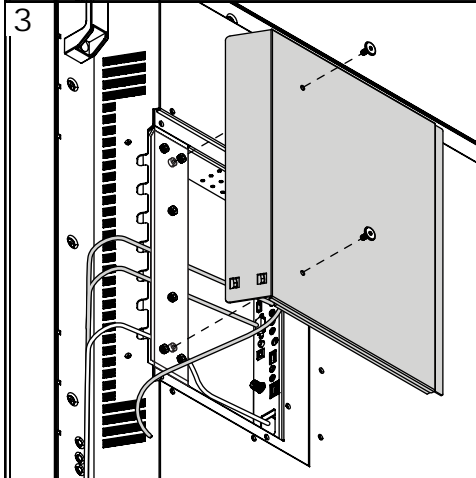
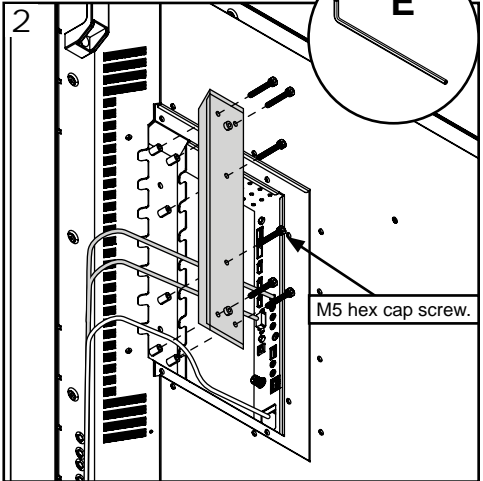
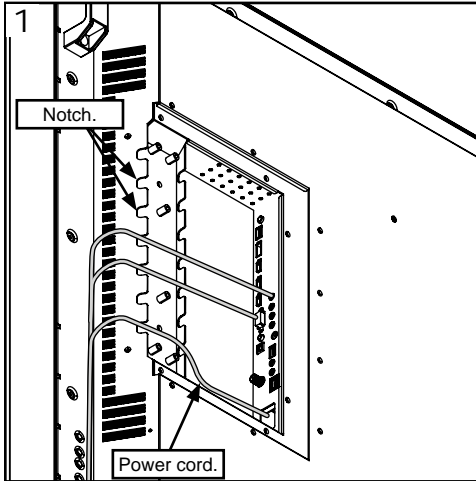
Connection Type	Description
1 Analog Audio Output	Provides Analog Stereo Output
2 S/PDIF Digital Audio Output	Supports Digital Audio
3 HDMI 2 Input	Supports FHD Digital AV / ARC / peerConnect (CEC)
4 HDMI 1 Input	Supports FHD Digital AV / peerConnect (CEC)
5 DisplayPort Input	Supports FHD Digital AV
6 Mini AV Input	Supports Composite Video and Stereo Audio
7 USB 2.0 Data Port Input	Supports Text / Photo / Video; Firmware upgrades
8 Ambient Light Extender Input	Ambient light sensor sold separately
9 Antenna Module Input	(for future use)
10 IR Extender Input	Supports the included IR Extender
11 IR Repeater Output	IR emitter/repeater sold separately
12 RS232C Input	Supports Serial Control of the display, input
13 RS232C Output	(for future use)
14 LAN Port	Supports Network Control and Monitoring*
15 12V DC Output	Supplies 12V DC, 2.5A
16 5V DC Output	Supplies 5V DC, 2.4A
17 AC Input	Supports 100 ~ 240V, 50/60Hz / Region-Specific Power Cord

\*Visit [www.peerless-AV.com](http://www.peerless-AV.com) product page to download Monitoring Instructions.

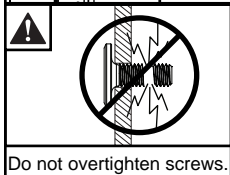
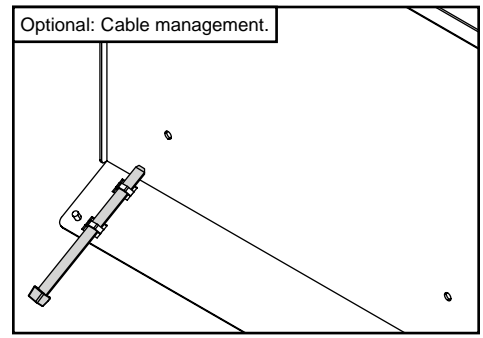
**ENG** This page intentionally left blank.

## Replacing Cord Cover

1. Run power and signal cords through notches. To prevent unwanted interference, route the power cord through the lowest notch (see image 1 below).
2. Place the cord cover over the cords being careful not to pinch any of the cords. Loosely install six M5 hex cap screws then tighten screws on the cord cover using 3mm allen wrench until the gasket on the cover is fully compressed to the cord gasket.
3. Replace the rear cover plate ensuring that the cords are running through the notches on the display and not getting pinched. Fasten the two hex screws on the rear cover plate to secure it in place using 3mm allen wrench. Ensure that rear cover plate is fully compressed to the back of the display.



**CAUTION**  
Failure to follow these instructions can result in the product being damaged or destroyed, voiding the warranty.

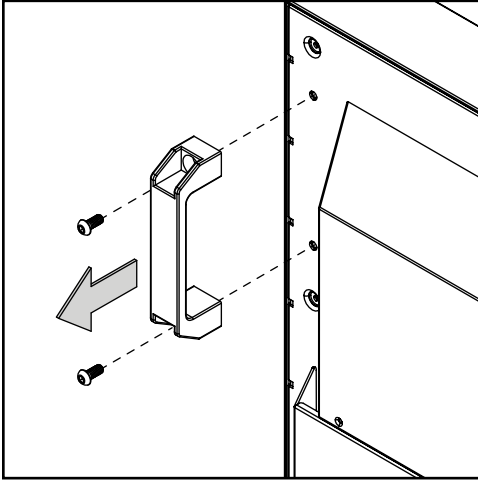


**CAUTION**

- Ensure cord bend radius does not exceed limits set by the manufacturer.
- Ensure cords are seated properly in the cable channels to avoid potential damage to cords when rear cover plate is installed.
- Do not remove lanyard that connects the rear cover plate to the display.
- Ensure cables exiting input compartment are routed downward when installing display in portrait orientation. If the installation requires the cabling to be routed upward, ensure that the cables are routed with a drip loop.

## Removing Handle Hardware

Optional: If removing handles, do not replace hardware.

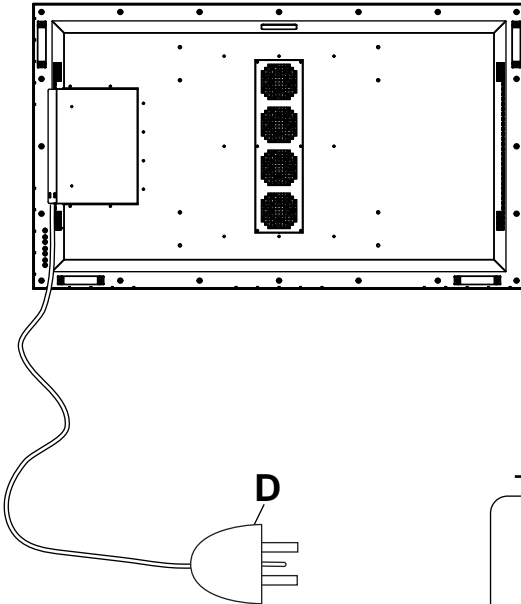


### CAUTION

Failure to follow these instructions can result in the product being damaged or destroyed, voiding the warranty.

## Connect to the Power Source

Connect power cord to GFCI outlet.



## Prepare the Display for Mounting

Install cords prior to mounting your display. Input panel may be obstructed once the display is mounted.

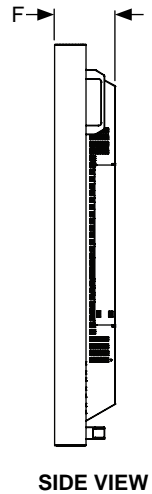
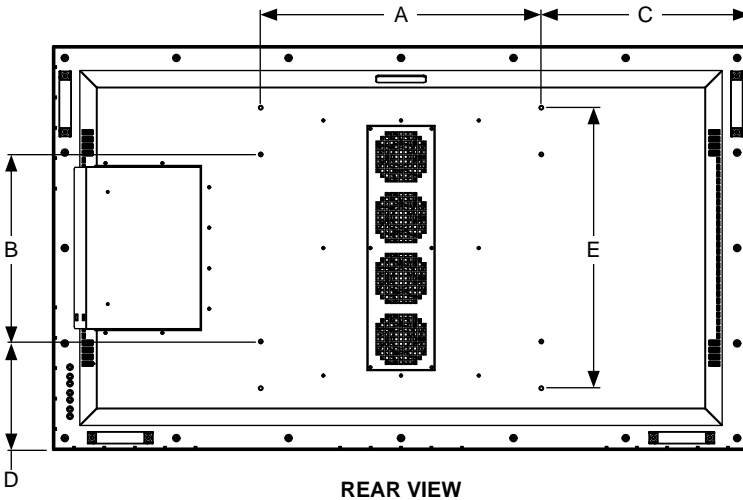
A mounting solution is sold separately. Contact your Peerless-AV representative for an outdoor rated mounting solution for your particular application.

For your safety, only install an outdoor-rated mount that is suitable for the application and supports the weight of the display. When mounting a display outdoors, use proper environmentally rated mounts to ensure longevity in harsh environments.

Examine the chart below to determine the mounting specifications for your display:

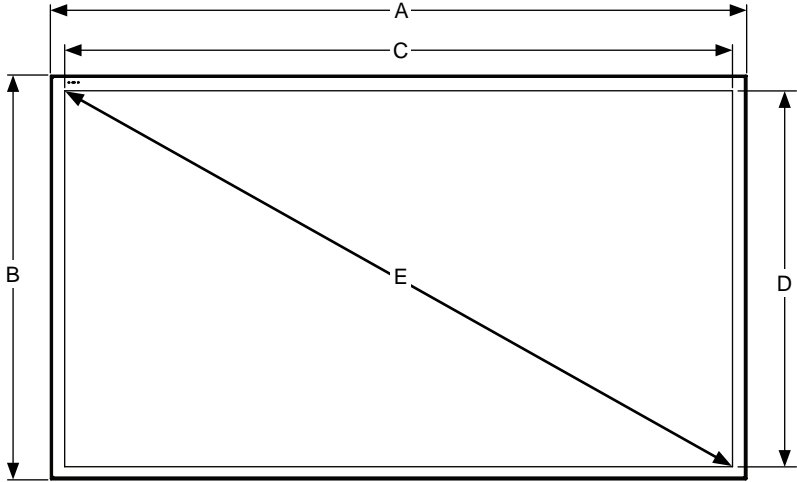
Display Size	Mounting Hole Pattern	Required Mounting Screws
65"	600x400mm, 600x600mm	Four M8 screws (16mm long)

Display Size	A	B	C	D	E	F
65"	23.62" (600mm)	15.75" (400mm)	17.53" (445mm)	9.17" (233mm)	23.62" (600mm)	5.14" (131mm)

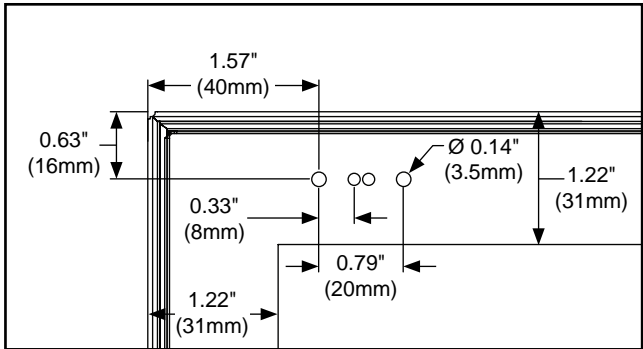


# Prepare the Display for Mounting

Display Size	A	B	C	D	E
65"	58.68" (1491mm)	34.08" (866mm)	56.24" (1429mm)	31.64" (804mm)	64.53" (1639mm)



**FRONT VIEW**

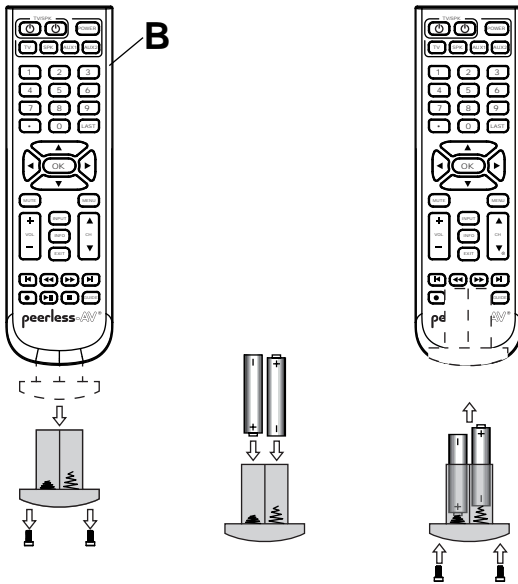


**BEZEL / IR DETAIL VIEW**

## Remote Control Battery Installation and Replacement

The remote control is powered by two 1.5V AAA batteries installed at the factory.

If the Red LED light on the remote fails to illuminate when a button is pressed, the batteries may need to be replaced. Follow the directions below to replace the batteries.



1. To remove the battery module of the remote control, remove the two screws on the end of the battery module. Slide the battery module out of the remote control.
2. Insert two new "AAA" size batteries into the battery module. Ensure the positive and negative marks on the batteries are correctly oriented with the markings on the inside of the remote control's battery compartment.
3. Slide the battery module back into the remote control and reinsert the two screws in the end of the battery module to maintain a waterproof seal (do not overtighten).

### **⚠ CAUTION**

Incorrect usage of batteries can result in leaks or bursting. Peerless-AV recommends the following battery use:

- Do not mix battery brands.
- Do not combine new and old batteries. This can shorten the battery life or cause battery acid leaks.
- Remove dead batteries immediately to prevent battery acid from leaking into the battery compartment.
- Do not touch exposed battery acid as it may injure skin.
- Remove the batteries if you do not intend to use the remote control for a long period of time.
- Do not expose the batteries to excessive heat from sunlight, fire or other heat sources or batteries could explode.
- Fully tighten screws to maintain the ingress protection rating of the remote.

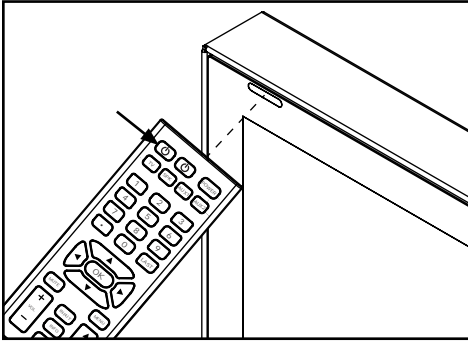


# OPERATING INSTRUCTIONS

## Power On/Off the Display

Power on your display by using the remote control or the power button on the side of the display. The display will power on but image may not appear for several seconds as it completes its power up sequence.

Point the remote control at the IR sensor located at the top, left-hand corner of the display when in landscape, or the top, right-hand corner when in portrait, then press the power button.










LED Light	TV Status
Solid	Off
Blinking	Boot up
Off	On

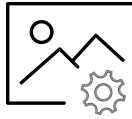
## Onboard Controls

**Direct Mode:** Allows for quick access to source selection, volume settings and channel selection.

**Menu Mode:** Press the Menu button to access Menu Mode and activate the On Screen Display (OSD). For a description of OSD operation refer to the next section.

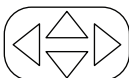
The keypad buttons are assigned as indicated in the table below.

Direct Mode	Menu Mode	
On/Off	On/Off	
Input Select	Input Select	
Menu	Return	
Channel Up	Up	
Channel Down	Down	
Volume Up	Right/OK	
Volume Down	Left/OK	

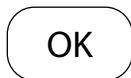


## Picture

<p><b>Picture Mode</b> Allows the user to alter the Brightness, Contrast, Color, and Sharpness of the video image to better match the look of the video against the environment it's being viewed in.</p>	<p>Standard Dynamic Soft User</p>
<p><b>Color Temperature</b> Allows the user to match the natural lighting to better enhance how the video images appear to the user through the presets or the custom 'User' setting.</p>	<p>Normal Warm Cool User</p>
<p><b>Advanced Settings</b></p>	
<p><b>Aspect Ratio</b> Allows the user to change the size of an image to maximize screen space. Note: Not all sources offer all preset options.</p>	<p>16:9 / Wide / Zoom / Cinema / 1:1 / 4:3</p>
<p><b>Noise Reduction</b></p>	<p>(for future use)</p>
<p><b>Dynamic Contrast</b></p>	<p>(for future use)</p>
<p><b>Color Range</b> Allows the user to set the color range manually or automatically.</p>	<p>Auto 0 - 255 16 - 235</p>
<p><b>Gamma</b> Allows the user to set different levels of how the dark images transition to bright images on the screen.</p>	<p>1 / 2 / 3 / 4 / 5</p>
<p><b>RGB Only Mode</b> When used, this feature will illuminate only the colored pixels chosen; when using this feature with a SMPTE Color Bar Pattern, the user will be able to adjust color accuracy of the display. (Note: This feature must be used with a content signal; with no content signal present, image strobing is normal.)</p>	<p>Off / Red / Green / Blue</p>



**Navigate**



**Enter**



**Exit**

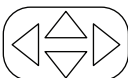


**Return**

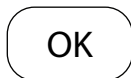


## Audio

<p><b>Sound Mode</b> Allows the user to tailor the Treble and Bass frequency output of the Analog headphone jack. Note: These setting do not affect the TOSLink output (digital audio).</p>	<p>Standard Music Movie User</p>
<p><b>Balance:</b> Alters the Left and Right speaker output. Note: These settings do not affect the TOSLink output (digital audio).</p>	<p>Default = 0 (centered)</p>
<p><b>Digital Audio Output</b> Sets the output of the TOSLink port.</p>	<p>Off / PCM / Raw</p>
<p><b>Surround Sound</b> Applies DSP to the Audio Output to simulate a wider audio staging area.</p>	<p>On / Off</p>
<p><b>AVL</b> Allows the user to apply Automatic Volume Leveling to maintain a more consistent audio level regardless of the channel or program viewed.</p>	<p>On / Off</p>



Navigate



Enter



Exit



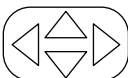
Return

# Navigating the On-Screen Menu

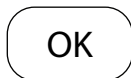


## Time

<p><b>Sleep Timer</b> Allows the user to set a predetermined time for the display to power down.</p>	<table> <tr> <td>Off</td> <td>60 min</td> </tr> <tr> <td>5 min</td> <td>90 min</td> </tr> <tr> <td>10 min</td> <td>120 min</td> </tr> <tr> <td>15 min</td> <td>180 min</td> </tr> <tr> <td>30 min</td> <td>240 min</td> </tr> </table>	Off	60 min	5 min	90 min	10 min	120 min	15 min	180 min	30 min	240 min
Off	60 min										
5 min	90 min										
10 min	120 min										
15 min	180 min										
30 min	240 min										
<p><b>Daylight Savings Time</b> Allows the user to set the TV to switch for Daylight Savings Time.</p>	<p>On / Off</p>										
<p><b>Time Format</b> Allows the user to choose time format based on use-case.</p>	<p>12 Hour / 24 Hour</p>										
<p><b>Clock</b> Allows the display to keep accurate time for scheduling. Time can be set manually.</p>	<p>Year (User Defined) Month: 1 - 12 Day: 1 - 31 Hour: 12am - 11pm Minute: 0 - 60</p>										
<p><b>Power Schedule 1</b> Allows the user to set a specific frequency, time, and date for the display to turn on and off automatically.</p>	<p>Off / Once / Everyday / Mon - Fri / Mon - Sat / Yearly</p>										
<p><b>Power Schedule 2</b> Allows a user to set a complimentary schedule to Power Schedule 1.</p>	<p>Off / Once / Everyday / Sat - Sun / Sunday / Yearly</p>										



**Navigate**



**Enter**

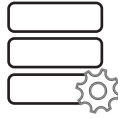


**Exit**



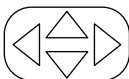
**Return**

# Navigating the On-Screen Menu

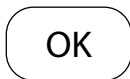


## Setup

<b>Menu Languages</b> Allows the user to set the default language of the OSD.	English / Spanish / French / German / Italian / Russian
<b>Transparent</b> Allows the user to set the transparency of the OSD Menu.	0%                      75% 25%                     100% 50%
<b>OSD Time</b> Allows the user to set the time at which the OSD Menu displays for (without a keystroke).	15 sec / 30 sec / 45 sec / 60 sec
<b>Input Label</b> Allows the user to define the title of the input label.	User Defined Up to 10 Alpha / Numeric / Symbol characters
<b>System Settings</b>	
<b>Auto Power On</b> Allows the user to set the display to return to a given power state chosen by the user.	On / Off / Memory
<b>Power LED</b> Allows the user to set the Power LED state when the display is off.	On / Off
<b>Power Save Mode</b>	
<b>No Signal Power Off</b> Allows the user to set the time for the display to power down if no content signal is present. Display will wake with Power On or Volume Up command.	1 min 2 min 5 min 10 min
<b>No Signal Sleep</b> Allows the user to set the display to go to sleep if no content signal is present. Display will wake when signal has been restored.	Off / On
<b>Standby Mode</b> Allows the user to keep the RJ45 port powered when in standby, which is required for monitoring and network control of the display. If the LAN port will not be used, the user can set the Standby Mode to Passive for power saving when the display is in standby.	Active / Passive



Navigate



Enter

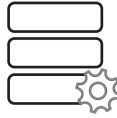


Exit

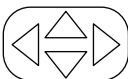


Return

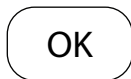
# Navigating the On-Screen Menu



<b>Setup</b>	
<b>Backlight</b>	
<b>ECO Mode</b> Allows the user to use a predetermined preset, custom preset, Ambient Light Sensor or a custom backlight schedule for the overall brightness of the display.	Min / Middle / Max / ALS / Personal Backlight / Custom Schedule
<b>Personal Backlight</b> Allows the user to set any backlight level when using the "Personal" ECO Mode.	0 - 100
<b>Custom Schedule</b> Allows the user to set their own backlight levels. The user is able to set two backlight levels and set them to switch based on time of day.	Custom Schedule 1 & 2: 0 ~ 100 backlight intensity Time of day for schedules to switch between
<b>Pixel Shift</b>	
<b>Pixel Shift</b> Allows the user to set pixel shift to avoid image retention when using static images.	On / Off
<b>Horizontal Range</b> Allows the user to set how many pixels the image will shift horizontally.	2 / 4 / 6 / 8 / 10
<b>Vertical Range</b> Allows the user to set how many pixels the image will shift vertically.	2 / 4 / 6 / 8 / 10
<b>Frequency</b> Allows the user to determine how often the pixel shifting takes place.	1 min / 2 min / 5 min / 10 min / 30 min



**Navigate**



**Enter**

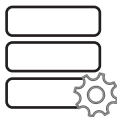


**Exit**



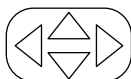
**Return**

## Navigating the On-Screen Menu

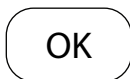


### Setup

<b>Network Information</b> Allows the user to get a visual readout of the IP information that the display has been issued. Display default is DHCP (IP Information can be viewed through the web page).	(Information Only)
<b>Sensor Information</b> Allows the user to get a visual readout of the sensors with the display that are used for monitoring the health and wellness (Sensor Information can be viewed through the web page).	(Information Only)
<b>Peerless-AV Technical Support</b> Allows the user to see model number, serial number, and firmware revision.	(Information Only)
<b>Restore Factory Default</b> Allows the user to set the display to factory default settings.	Yes / No
<b>peerConnect</b> Allows the user to set the display to react to CEC (Consumer Electronic Control) for ease of navigation when using a source that complies with the CEC standard.	On / Off
<b>Auto Source Switching</b>	
<b>Auto Source Switching</b> Allows user to set the display to search for a content signal if the signal on the main source ceases.	On / Off
<b>Priority Source Recovery</b> Allows the user to initiate the display to look for a specific input defined by "Primary" and "Secondary"; If the Primary source is removed, the priority becomes what is chosen as "Secondary".	On / Off
<b>Primary Source</b> Allows the user to indicate the main source input.	AV / DP / HDMI 1 / HDMI 2 / USB Media
<b>Secondary Source</b> Allows the user to set the secondary priority source if content ceases on the primary source input.	AV / DP / HDMI 1 / HDMI 2 / USB Media
<b>Software Update</b> Allows the user to issue a software update through the USB media port when available.	Yes / No



Navigate



Enter



Exit



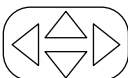
Return

# Navigating the On-Screen Menu

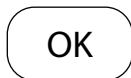


## Lock

<b>Enter Password</b>	Default PIN = 0000
<b>Set Password</b> Allows user to change the PIN for security.	(User Defined) 4 Digit numeric combination
<b>Safety Lock On</b> Allows the user to set the external power button to a fixed command.	Power On Only Power Toggle Button Lock
<b>USB Auto Play</b> Allows the user to set the USB as the priority source when powered on.	Off / Movie / Photo
<b>System Lock</b> Allows the user to lock out custom settings for content allowed.	On / Off
<b>Input Block</b> Allows the user to block any or all inputs; PIN is required if those inputs are recalled.	Block / Unblock



**Navigate**



**Enter**



**Exit**



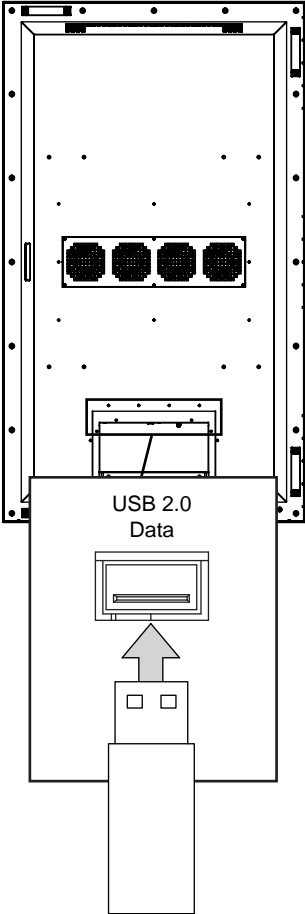
**Return**



# USB Functionality

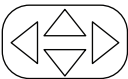
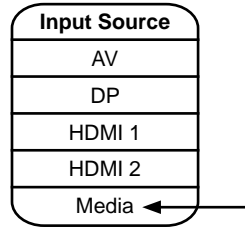
1

**[ENG]** Insert USB flash drive into USB 2.0 Data port on the input panel of the display.



2

**[ENG]** Select media source to access content.



Navigate



Enter



Exit

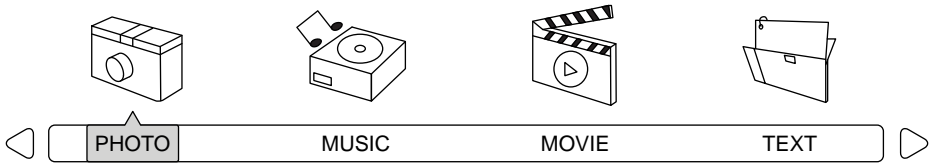


Return

## USB Functionality

3

**ENG** Select media type and folder where content is stored.



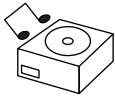
4



**Photos** – To view a single photo, select photo and press play. To view a slide show, select multiple photos and press play. Use on screen menu to control slide show.



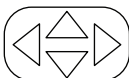
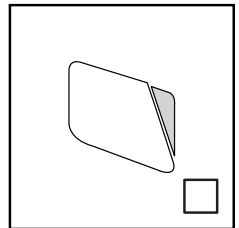
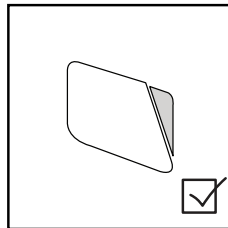
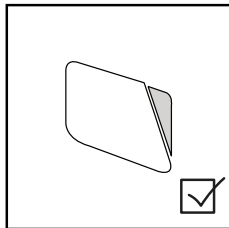
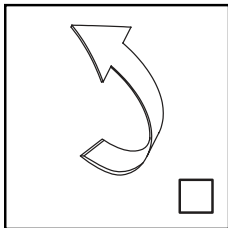
**Movies** – To view a single video, select video and press play. To view a playlist, select multiple videos and press play. Use on screen menu to control playlist.



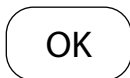
**Music** – To listen to a single song, select song and press play. To listen to a playlist, select multiple songs and press play. Use on screen menu to control playlist.



**Text** – To view to a single text file, select file and press play. To view a playlist, select multiple files and press play. Use on screen menu to control playlist.



Navigate



Enter



Exit



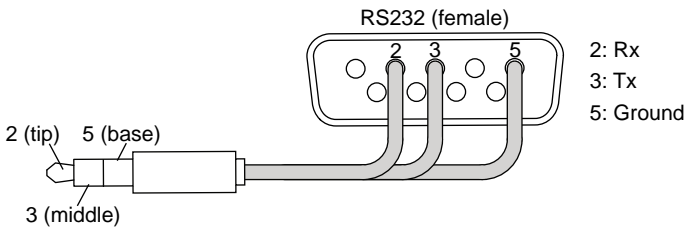
Return

## (RS-232C) Serial Control of the Display

Attach an RS-232C cable (straight through type) to the supplied D-Sub RS-232C to utilize serial control function. Control via RS232 should only be utilized by experts familiar with RS232 programming.

(0):	A0, F0, 55, FF, 56, A9	Left:	A0, F0, 55, FF, 0C, F3
(1):	A0, F0, 55, FF, 42, BD	Menu:	A0, F0, 55, FF, 4E, B1
(2):	A0, F0, 55, FF, 43, BC	Mute:	A0, F0, 55, FF, 14, EB
(3):	A0, F0, 55, FF, 0F, F0	OK:	A0, F0, 55, FF, 02, FD
(4):	A0, F0, 55, FF, 1E, E1	Picture Mode:	A0, F0, 55, FF, 4B, B4
(5):	A0, F0, 55, FF, 1D, E2	Power Off:	A0, F0, 55, FF, AD, 52
(6):	A0, F0, 55, FF, 1C, E3	Power On:	A0, F0, 55, FF, AE, 51
(7):	A0, F0, 55, FF, 18, E7	Power On/Off:	A0, F0, 55, FF, 0B, F4
(8):	A0, F0, 55, FF, 45, BA	Right:	A0, F0, 55, FF, 05, FA
(9):	A0, F0, 55, FF, 4C, B3	Sleep:	A0, F0, 55, FF, 53, AC
AV:	A0, F0, 55, FF, ED, 12	Sound Mode:	A0, F0, 55, FF, 5B, A4
DisplayPort:	A0, F0, 55, FF, E4, 1B	Source:	A0, F0, 55, FF, 01, FE
Down:	A0, F0, 55, FF, 0D, F2	Surround:	A0, F0, 55, FF, C7, 38
Exit:	A0, F0, 55, FF, 1B, E4	Up:	A0, F0, 55, FF, 17, E8
HDMI 1:	A0, F0, 55, FF, DE, 21	USB:	A0, F0, 55, FF, 57, A8
HDMI 2:	A0, F0, 55, FF, DF, 20	Volume +:	A0, F0, 55, FF, 0A, F5
HDMI Toggle:	A0, F0, 55, FF, EC, 13	Volume -:	A0, F0, 55, FF, 40, BF
Info:	A0, F0, 55, FF, 50, AF	Zoom:	A0, F0, 55, FF, 51, AE

COM Settings	
Baud Rate	38400
Data Bits	8
Parity	None
Stop Bits	1



# MAINTENANCE

## Care of the Screen

---

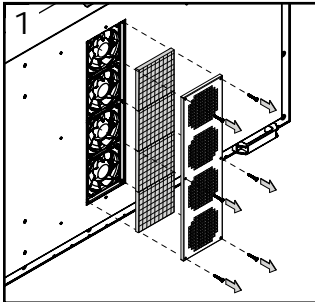
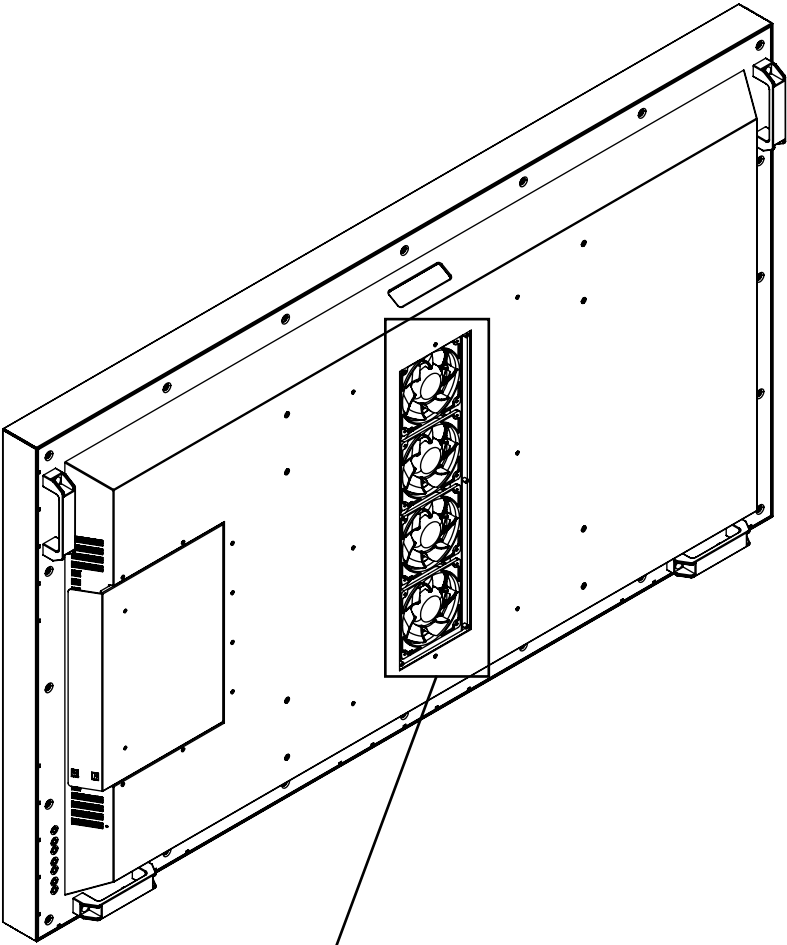
Do not rub or strike the screen with anything hard as this may scratch, mark, or even damage the screen permanently. Ensure that the display is installed in a location where it will be safe from abrasives and flying debris, which could damage the LCD panel. Never use ammonia or any product containing ammonia, as it will damage the anti-glare coating on the face of the display. Only use an approved screen cleaner to clean the display face. Unplug the power cord before cleaning the screen. Dust the display by wiping the screen and the cabinet with a soft, clean cloth. If the screen requires additional cleaning, use a clean, damp cloth. Do not use aerosol cleaners or solvents of any kind. Do not use any chemical such as paint thinner or benzene to clean the product's exterior. It may cause scratches on the surface, erasing proper indications, identification labels, or instructions on the exterior, which may cause misuse and improper operation of the product.

## End of Life Directives

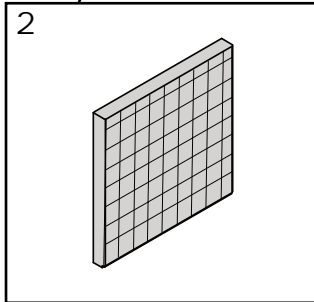
---

In an effort to produce environmentally friendly products, your new display contains materials that can be recycled and reused. At the end of your display's life, specialized companies can minimize display waste by separating reusable materials from non-reusable materials. Please ensure you dispose of your display according to local regulations.

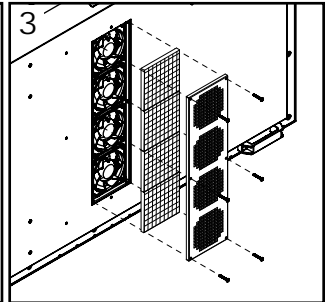
# Clean Fan Filter



Remove cover.



Clean fan filter by running under water until clean.



Replace filter and cover.

**ENG** This page intentionally left blank.

**ENG** This page intentionally left blank.

**ENG** This page intentionally left blank.



## Guía del Usuario

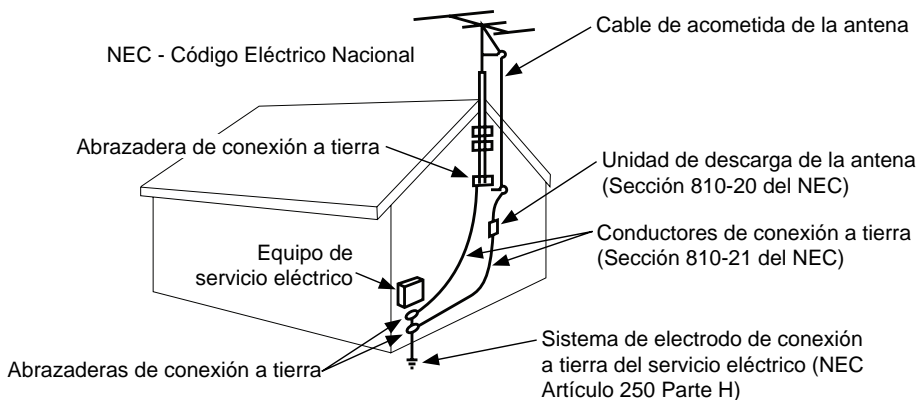
### PANTALLA XTREME™ HIGH BRIGHT OUTDOOR



# INSTALACIÓN Y REQUISITOS ELÉCTRICOS DEL SISTEMA

## Código Eléctrico

Nota: Para el instalador del sistema de pantalla: Este recordatorio es para llamar la atención al Artículo 820-44 del Código Eléctrico Nacional, que proporciona guías para conexiones adecuadas a tierra, particularmente, especifica que el cable de conexión a tierra debe estar conectado al sistema de conexión a tierra de las instalaciones. El tomacorriente debe estar instalado cerca del equipo y debe poderse alcanzar con facilidad.



Nota: La instalación debe incorporar un protector eléctrico externo aprobado por UL para un voltaje máximo de 2500 V o menos, para redes de suministro eléctrico de 150-300 V c.a. instalado de acuerdo con el Artículo 285 del ANSI/NFPA 70 o los códigos locales pertinentes.

## Fuente Eléctrica

La pantalla tiene que estar conectada a un tomacorriente de la red de suministro eléctrico que tenga una conexión protectora a tierra.

El enchufe de conexión a la red se usa como dispositivo desconectar y debe poderse alcanzar con facilidad.

La instalación eléctrica se debe realizar de acuerdo con las partes pertinentes del Capítulo 8 de ANSI/NFPA 70.

Las antenas para exteriores no se deben colocar cerca de líneas eléctricas aéreas ni de circuitos eléctricos.

Si se conecta una antena externa al receptor, verifique que el sistema de antena tenga una conexión a tierra para protegerlo contra las subidas de voltaje y las cargas estáticas acumuladas. La Sección 810 del Código Eléctrico Nacional, ANSI/NFPA N.º 70-1984, proporciona información respecto a: la conexión a tierra adecuada para los mástiles y las estructuras de soporte, la conexión a tierra del cable de acometida a la unidad de descarga de una antena, el tamaño de los conectores a tierra, la ubicación de la unidad de descarga de una antena, la conexión a electrodos de conexión a tierra y los requisitos del electrodo de conexión a tierra.

Esta pantalla opera con una corriente alterna de 100-240 voltios de 50-60 Hz. Nunca conecte la pantalla a una corriente directa ni de otro voltaje que no sea el especificado.

Para prevenir una descarga eléctrica de la pantalla, no la utilice con una extensión eléctrica, un receptáculo u otro tomacorriente, a menos que las clavijas y el terminal de conexión a tierra se puedan insertar completamente para prevenir que las clavijas queden expuestas.

Todas las líneas secundarias se tienen que pasar por conductos con conexión a tierra y se tienen que mantener separadas de la línea de corriente alterna.

## PRECAUCIÓN DE LA FCC

---

Para garantizar el cumplimiento continuo y evitar la interferencia indeseada, se pueden utilizar núcleos de ferrita al conectar esta pantalla a equipos de video; mantenga un espacio de, por lo menos, 400 mm (15.75 pulgadas) de otros dispositivos periféricos.

## DECLARACIÓN DE LA FCC

---

Este equipo ha sido probado y cumple los límites de los dispositivos digitales Clase B, conforme al artículo 15 de las normas de la FCC. Estos límites están diseñados para proporcionar una protección razonable contra interferencias perjudiciales en instalaciones residenciales. Este equipo genera, utiliza y puede irradiar energía de radiofrecuencia y, si no se instala y utiliza de acuerdo con estas instrucciones, puede causar interferencias perjudiciales a las radiocomunicaciones. Sin embargo, no hay garantía de que no se produzcan interferencias en una instalación en particular. Si este equipo, en efecto, causa interferencias perjudiciales en la recepción de radio o televisión, lo cual se puede determinar apagando y encendiendo el equipo, se recomienda que el usuario intente corregir las interferencias mediante una o más de las siguientes medidas:

1. Cambie la orientación o la ubicación de la antena receptora.
2. Aumente la distancia entre el equipo y el receptor.
3. Conecte el equipo a un enchufe que esté en un circuito diferente al que está conectado el receptor.
4. Consulte al distribuidor o a un técnico experto en radios o televisores para obtener ayuda.

Este dispositivo cumple con el artículo 15 de las normas de la FCC. El uso depende de las dos condiciones siguientes:

- Este dispositivo no puede causar interferencias perjudiciales.
- Este dispositivo tiene que aceptar cualquier interferencia recibida, incluida la que pueda causar el funcionamiento no deseado.

## Información pertinente

---

Anote el número de modelo y el número de serie de la pantalla aquí para su referencia. Guarde este manual del usuario en un lugar accesible en caso de que necesite alguna reparación.

Nota: El número de serie de la pantalla se encuentra en la caja, debajo de la placa trasera y en el menú de configuración bajo apoyo técnico de Peerless-AV.

Número de modelo \_\_\_\_\_

Número de serie \_\_\_\_\_

# PRECAUCIONES DE SEGURIDAD GENERAL

## Lea antes de utilizar el producto

Gracias por comprar nuestro producto. Antes de utilizarlo, lea esta guía del usuario atentamente y siga las instrucciones para utilizarlo con seguridad. Por favor, guarde esta guía para su referencia e inclúyala cada vez que cambie o transfiera el producto a otro lugar.

## ▲ ADVERTENCIA

En caso de una emergencia, como un incendio o choque eléctrico causado por el producto, llame, de inmediato, al 9-1-1 o al número apropiado de las agencias de servicios de emergencia de la policía o los bomberos de su país.

Para minimizar el riesgo de descarga eléctrica o incendio, tenga en cuenta lo siguiente:

- Si el equipo falla o se da algún suceso inusual, como olor a quemado eléctrico, humo o pérdida de señales de contenido de la pantalla debido al sobrecalentamiento interno, apáguela de inmediato, desenchufe el cable eléctrico y comuníquese con el fabricante.
- No desarme, modifique ni repare el producto de alguna manera que no se indique en estas instrucciones. Toda modificación no autorizada hecha al producto anulará la garantía automáticamente.
- No toque los cables o los alambres de antenas, los cables eléctricos ni los enchufes cuando ocurran rayos o truenos ni cuando tenga las manos mojadas.
- No lo sumerja en agua.
- No lo destruya, procese o coloque cerca de alguna fuente de calor.
- No lo instale cerca de gases venenosos ni atmósferas con inestabilidad química.
- No lo instale cerca de campos magnéticos o corrientes eléctricas fuertes.
- No instale el producto en lugares inestables ni cerca de objetos móviles, equipos que vibren constantemente o superficies desniveladas.
- No deje ninguna fuente de fuego, como velas, cerca o encima del producto.
- No lo utilice si el producto se ha caído o si ha recibido un golpe. Darle golpes fuertes al producto puede causar que algunos componentes internos se salgan de su lugar y se rompan.
- No doble ni tuerza los cables eléctricos, los enchufes, los cordones o los alambres con fuerza excesiva.
- No bloquee las ranuras de ventilación ni coloque objetos pesados sobre el producto.
- Use voltaje con la potencia eléctrica nominal adecuada.
- No use tomacorrientes ni extensiones eléctricas múltiples en los que tenga conectados muchos dispositivos a la vez. Utilice un tomacorriente separado e individual, con potencia nominal y con un interruptor con falla a tierra para que pueda utilizar el producto con seguridad.
- No mueva ni transporte el producto con los cables (eléctricos o de conexión de contenido) conectados a los dispositivos fuente.
- Siempre, conecte el enchufe eléctrico firme y completamente. Al desconectar los cables, siempre, tire del enchufe, no del cable.
- Siempre, deje el producto apagado al conectar o desconectar los cables eléctricos o de conexión.
- No haga mal uso del enchufe eléctrico polarizado o con descarga a tierra, de manera que no sea seguro. Un enchufe polarizado tiene dos clavijas, una de las cuales es más ancha que la otra. Un enchufe con descarga a tierra, tiene dos clavijas y una tercera punta con descarga a tierra. La clavija ancha y la tercera punta se proporcionan para su seguridad. Si el enchufe proporcionado no cabe en el receptáculo, consulte a un electricista para reemplazar el receptáculo obsoleto.
- Proteja el cable eléctrico de manera que no lo pisen ni lo pinchen, particularmente en los enchufes, los receptáculos para los aparatos y los sitios por los que salen los cables de los aparatos.

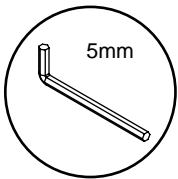
## ▲ ADVERTENCIA

- Nunca aplique presión al exterior de una pantalla de LCD.
- Si se quiebra el monitor o el cristal, no toque el cristal líquido y manéjelo con cuidado.
- No se trepe en el producto.
- No lo instale a una distancia menor de 152 cm (5 pies) de un cuerpo de agua.
- No la utilice si la temperatura ambiente del aire sobrepasa los límites de funcionamiento; la temperatura máxima de funcionamiento es de -31°F ~ 140°F (-35°C ~ 60°C).
- Las altas cargas solares pueden requerir la disminución de la temperatura máxima de funcionamiento hasta unos 14°F (8°C) para disminuir la posibilidad de que haya artefactos temporales en la pantalla.
- No instale la pantalla en cajas o cavidades empotradas que tengan menos de 2 pulgadas para que fluya el aire alrededor de la pantalla. El aire dentro de una pantalla totalmente empotrada tiene que estar ventilado. Las instalaciones en cajas de otros fabricantes sin la autorización escrita de Peerless-AV no están cubiertas por la garantía limitada de Peerless-AV, ni por la garantía extendida.
- Al instalar una pantalla en una caja o en una cavidad empotrada, las temperaturas internas de las cajas o las cavidades no deben exceder las temperaturas máximas de funcionamiento indicadas en lo anterior.
- El producto debe estar fijado a una estructura antes de utilizarlo.
- Se tiene que contar, al menos, con dos personas para cargar y sostener el producto.
- Quítele el polvo al enchufe eléctrico periódicamente para mantenerlo limpio y seco y asegurarse de que funcione bien y con seguridad.
- Use solamente los fijadores o accesorios especificados por el fabricante.

## PRECAUCIÓN

Para evitar la retención de imágenes, que se quemen temporalmente en la pantalla LCD, no permita que las imágenes estáticas permanezcan en la pantalla durante más de 20 minutos. La retención de imágenes se considera uso inadecuado de una pantalla de LCD y no está cubierta por la garantía limitada de Peerless-AV, ni por la garantía extendida.

Herramientas necesarias para el montaje:



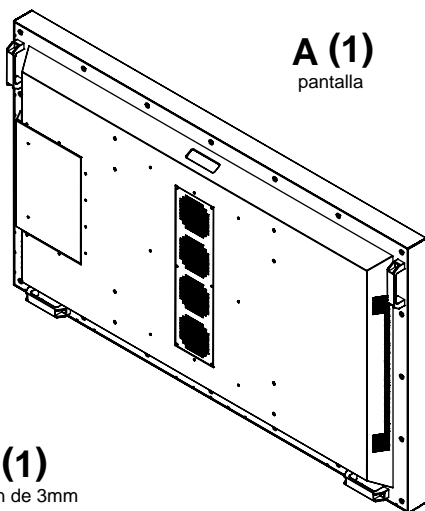
# CONTENIDO

Instalación y requisitos eléctricos del sistema .....	34
Código eléctrico.....	34
Fuente eléctrica .....	34
Precaución de la FCC .....	35
Declaración de la FCC .....	35
Información pertinente .....	35
Precauciones de seguridad general .....	36
Instrucciones de configuración .....	39
Lista de piezas .....	39
Retirar la cubierta para cables .....	40
Instalar el cable eléctrico.....	41
Instalar el extensor infrarrojo .....	41
Instalar el extensor del ALS.....	41
Conectar los cables.....	42
Remplazar la cubierta para cables.....	44
Quitar los mangos .....	45
Conectar a la fuente eléctrica.....	45
Preparar la pantalla para instalación.....	46
Instalación y remplazo de las pilas del control remoto.....	48
Instrucciones de uso.....	49
Encender / Apagar el pantalla .....	49
Controles integrados .....	49
Navegar el menú de la pantalla .....	50
Imagen .....	50
Audio .....	51
Hora .....	52
Configuración .....	53
Bloqueo .....	56
Funcionalidad USB .....	57
(RS-232C) Control en serie de la pantalla .....	59
Mantenimiento .....	60
Cuidado de la pantalla .....	60
Fin del ciclo de vide útil .....	60
Limpiar el filtro del ventilador .....	61
Garantía .....	96

# INSTRUCCIONES DE CONFIGURACIÓN

## Lista de piezas

Descripción	Qty
A pantalla	1
B control remoto (pilas incluidas)	1
C extensor infrarrojo	1
D cable eléctrico regional	3
E llave allen de 3mm	1
F guía del usuario (no mostrada)	1
G hoja de apoyo técnico (no ilustrada)	1



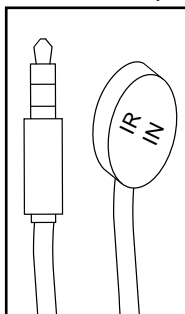
**B (1)**

control  
remoto



**C (1)**

extensor infrarrojo



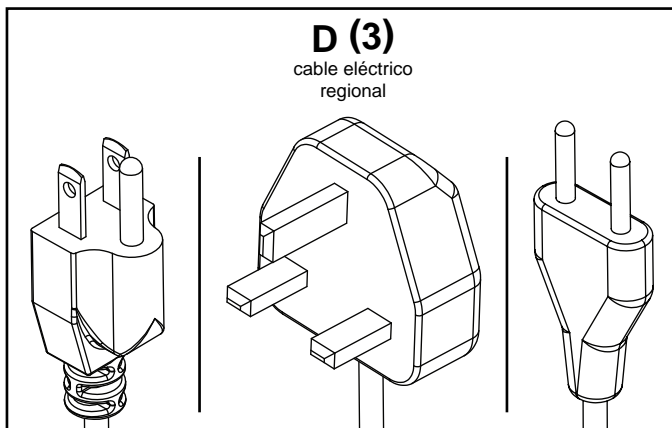
**E (1)**

llave allen de 3mm



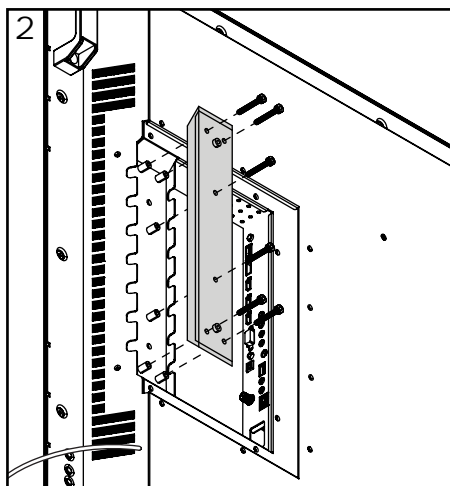
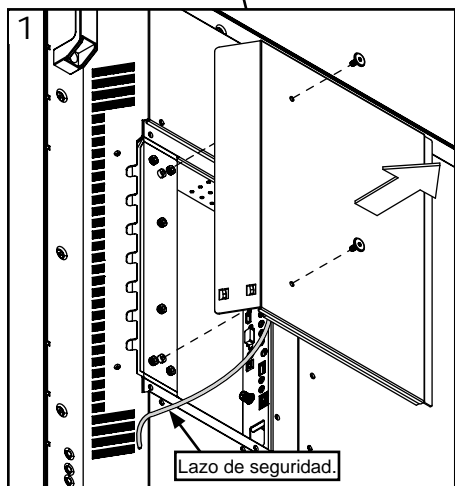
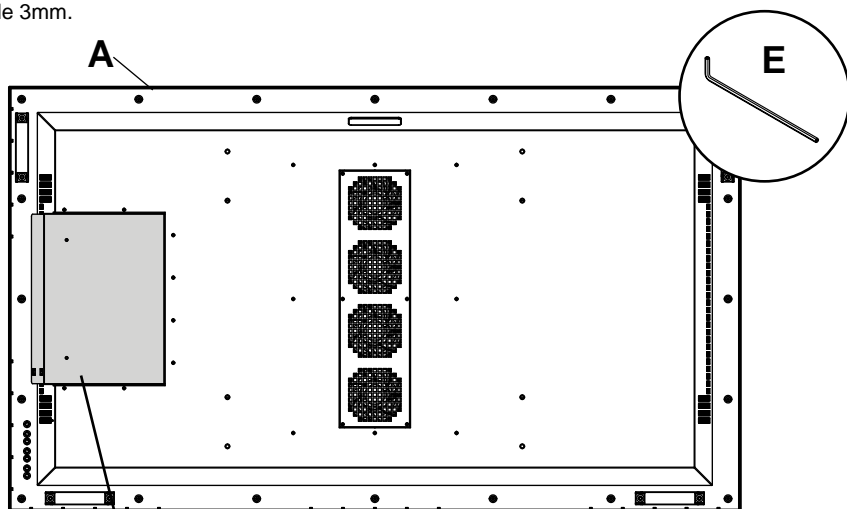
**D (3)**

cable eléctrico  
regional



## Retirar la cubierta para cables

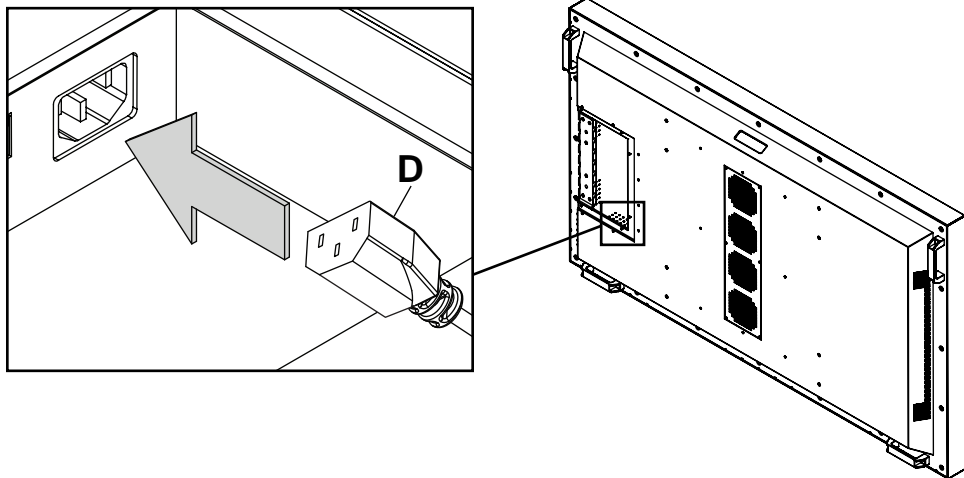
1. Quite dos tornillos de M5 de cabeza hexagonal plana y la placa trasera utilizando una llave allen de 3mm.  
No desconecte el lazo de seguridad.
2. Quite seis tornillos de M5 de cabeza hexagonal y la cubierta para cables utilizando una llave allen de 3mm.





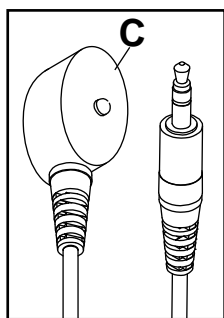
## Instalar el cable eléctrico

Conecte el extremo hembra del cable eléctrico al puerto de suministro eléctrico localizado dentro del compartimento de entradas.



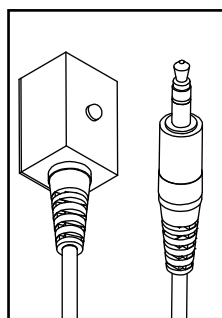
## Instalar el extensor del repetidor infrarrojo (opcional)

Inserte el extremo de 3.5mm del extensor infrarrojo de 5V proporcionado en el puerto del extensor infrarrojo en el panel de fuentes de la pantalla. El puerto del extensor infrarrojo puede no ser compatible con otros extensores.



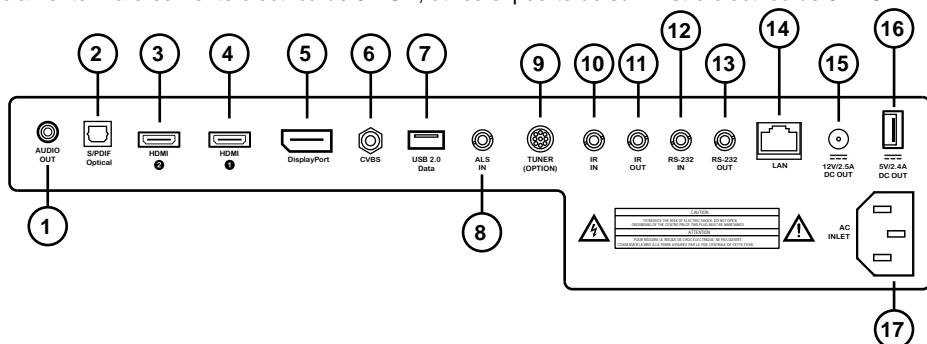
## Instalar el extensor del sensor de luz ambiental (opcional)

Conecte el extremo de 3.5mm del extensor del sensor de luz ambiental (ACCD-ALS (se vende por separado), en el puerto para el extensor del sensor de luz ambiental del panel de entrada de la pantalla. Conectar el extensor del sensor de luz ambiental desactivará el sensor de luz ambiental integrado de la pantalla.



## Conectar los cables

Conecte los dispositivos fuente en la entrada adecuada de la pantalla. Haga todas las conexiones antes de encender la pantalla. El puerto de datos USB 2.0 es para servicio y archivos mediáticos solamente. Para corriente eléctrica de 5V CD, utilice el puerto de suministro eléctrico de 5VDC.



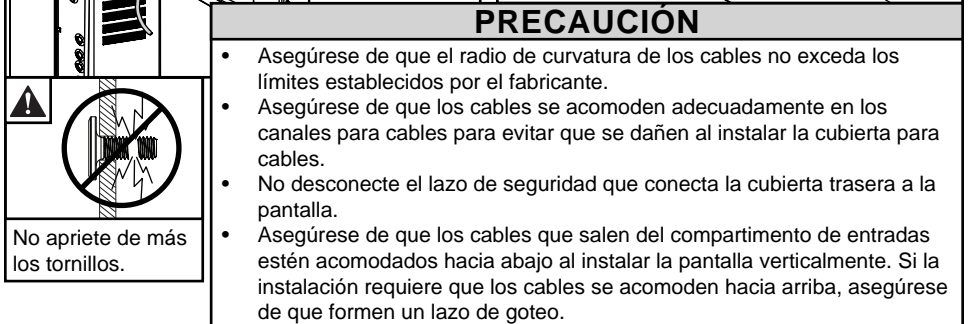
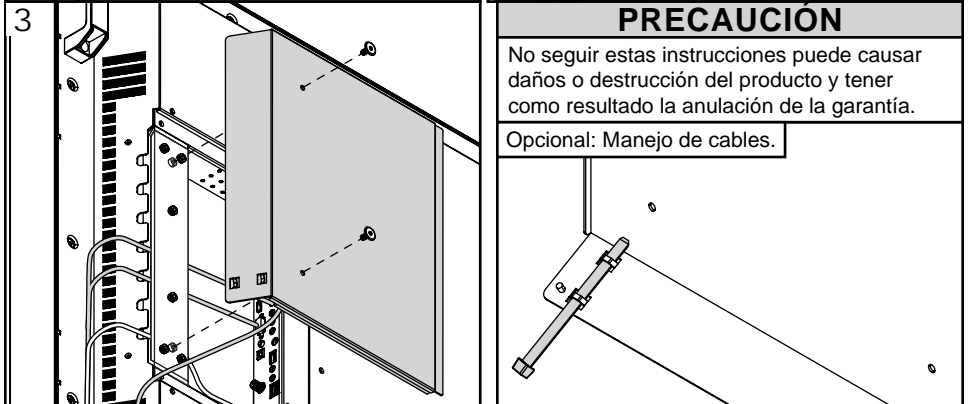
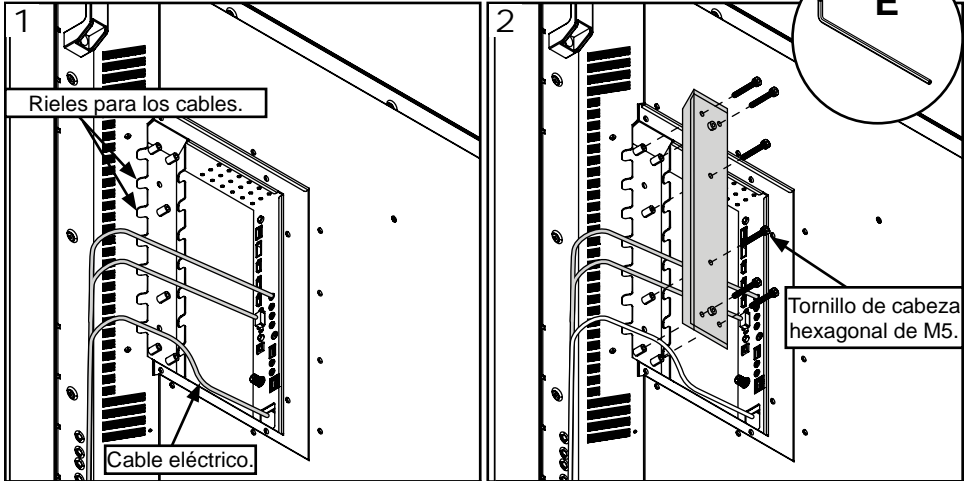
Tipo de Conexión	Descripción
1 Salida de audio analógico	Proporciona una salida de audio estéreo analógico
2 Salida de audio digital S/PDIF	Acepta audio digital
3 Entrada de HDMI 2	Acepta FHD Digital AV / ARC / peerConnect (CEC)
4 Entrada de HDMI 1	Acepta FHD Digital AV / peerConnect (CEC)
5 Entrada de DisplayPort	Acepta FHD Digital AV
6 Entrada de AV mini clavija	Acepta vídeo compuesto y audio estéreo
7 Entrada del puerto de datos USB 2.0	Acepta texto / fotografía / video; actualizaciones de firmware
8 Entrada del extensor de luz ambiental	Sensor de luz ambiental vendido por separado
9 Entrada del módulo de antena	(para uso futuro)
10 Entrada del extensor del repetidor infrarrojo	Acepta el extensor incluido del repetidor infrarrojo
11 Salida del repetidor infrarrojo	Emisor/repetidor infrarrojo vendido por separado
12 Entrada de RS232C	Permite el control en serie de la pantalla, entrada
13 Salida de RS232C	(para uso futuro)
14 Puerto de LAN	Permite el control y la vigilancia de la red*
15 Salida de corriente directa de 12V	Suple corriente directa de 12V, 2.5A
16 Salida de corriente directa de 5V	Suple corriente directa de 5V, 2.4A
17 Toma de electricidad	Acepta un cable eléctrico de 100 ~ 240V, 50/60Hz / de región específica

\*Acceda a la página del producto en [www.peerless-AV.com](http://www.peerless-AV.com) para descargar las instrucciones de vigilancia.

**ESP** Página en blanco.

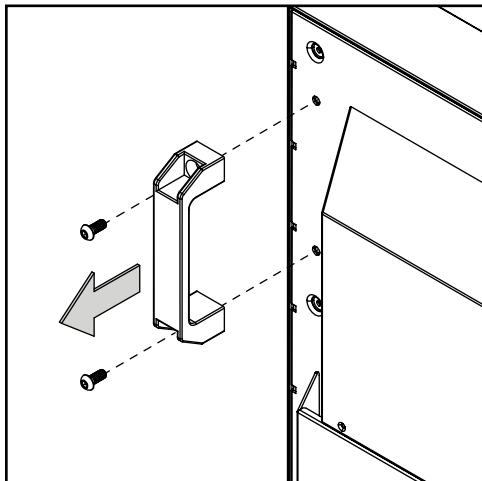
## Remplazar la cubierta para cables

1. Pase los cables eléctricos y los cables de señal por las muescas. Para prevenir la interferencia indeseada, pase el cable eléctrico por la muesca más inferior. (Vea la imagen 1 abajo).
2. Vuelva a colocar la cubierta para cables asegurándose de que los cables estén colocados en los rieles y de que no se pinchen. Coloque seis tornillos de M5 de cabeza hexagonal sin fijarlos; entonces, apriételos utilizando una llave allen de 3mm hasta que la junta de la placa esté completamente fijada a la junta de los cables.
3. Vuelva a colocar la placa trasera asegurándose de que los cables estén colocados en los rieles y de que no se pinchen. Fije los dos tornillos de cabeza hexagonal de la placa trasera utilizando una llave allen de 3mm. Asegúrese de que la placa trasera esté completamente fijada a la parte trasera de la pantalla.



## Quitar los mangos (opcional)

Opcional: Si quita los mangos, no reemplace los accesorios.

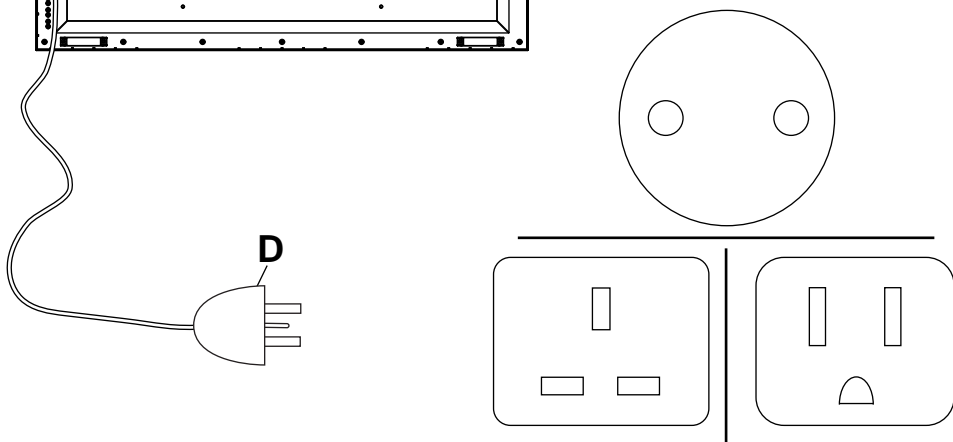
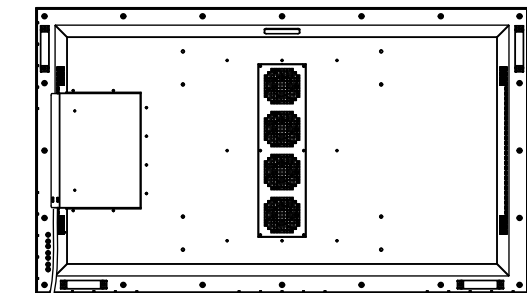


### PRECAUCIÓN

No seguir estas instrucciones puede causar daños o destrucción del producto y tener como resultado la anulación de la garantía.

## Conectar a la fuente eléctrica

Conecte el cable eléctrico al tomacorriente del interruptor con falla a tierra.



## Preparar la pantalla para instalación

Instale los cables antes de instalar la pantalla. El panel de entradas puede quedar obstruido al instalar la pantalla.

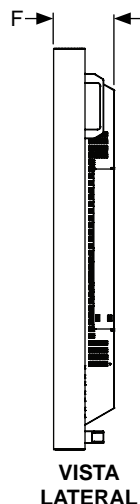
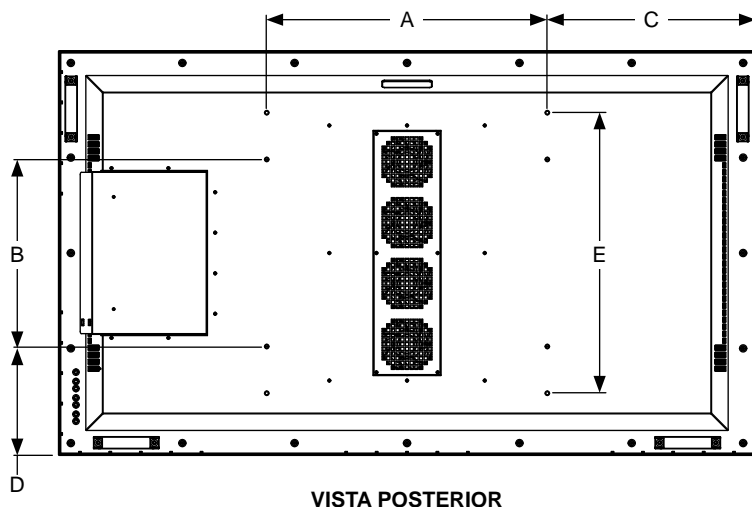
No se incluye el soporte; se vende por separado. Comuníquese con un representante de Peerless-AV para obtener un soporte aprobado para uso en exteriores para su producto.

Para su seguridad, instale solamente un soporte aprobado para uso en exteriores que sea adecuado para su producto y sostenga el peso de la pantalla. Al instalar una pantalla en exteriores, utilice soportes ecológicos aprobados adecuados para garantizar la longevidad en entornos hostiles.

Repase la tabla de abajo para determinar las especificaciones de montaje de su pantalla:

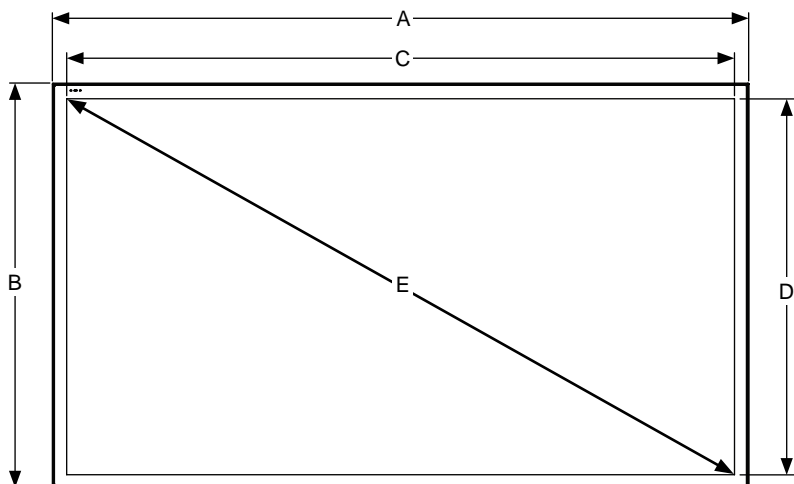
Pantalla	Configuración de montaje	Medida de los tornillos de montaje
65"	600x400mm, 600x600mm	Cuatro M8 x 16mm

Pantalla	A	B	C	D	E	F
65"	23.62" (600mm)	15.75" (400mm)	17.53" (445mm)	9.17" (233mm)	23.62" (600mm)	5.14" (131mm)

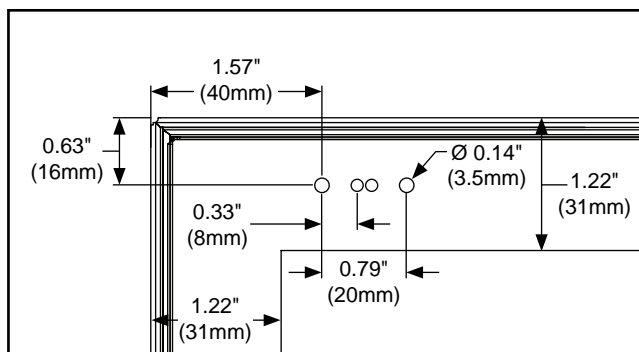


## Preparar la pantalla para instalación

Pantalla	A	B	C	D	E
65"	58.68" (1491mm)	34.08" (866mm)	56.24" (1429mm)	31.64" (804mm)	64.53" (1639mm)



VISTA DELANTERA

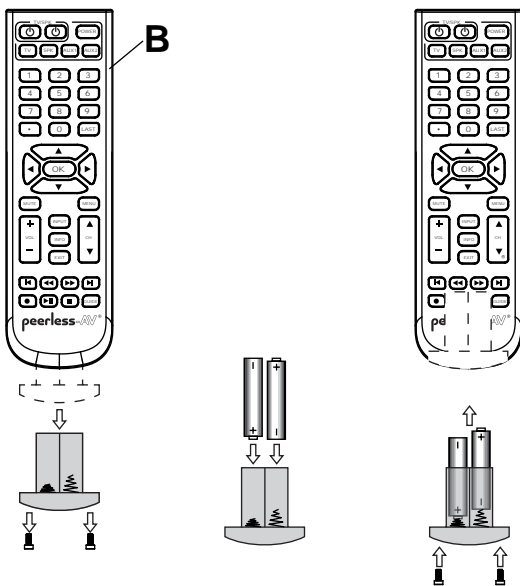


MARCO / VISTA DETALLADA DEL SENSOR INFRARROJO

## Instalación y remplazo de las pilas del control remoto

El control remoto funciona con dos pilas AAA de 1.5V instaladas en la fábrica.

Si no se enciende la luz LED roja cuando presione algún botón, es posible que haya que cambiar las pilas. Siga las instrucciones de abajo para cambiar las pilas.



1. Para retirar el módulo de las pilas del control remoto, quite los dos tornillos del extremo del módulo de las pilas. Deslice el módulo de las pilas para retirarlo del control remoto.
2. Inserte dos pilas nuevas de tamaño AAA en el módulo de las pilas. Asegúrese de que los signos de positivo y negativo de las pilas estén en la misma posición de los signos que están dentro del compartimento de las pilas del control remoto.
3. Vuelva a deslizar el módulo de las pilas en el control remoto y vuelva a colocar los dos tornillos en el extremo del módulo de las pilas para mantener un sellado impermeable (no los apriete en exceso).

### **⚠ PRECAUCIÓN**

El uso incorrecto de las pilas puede causar fugas o derrames. Peerless-AV recomienda usar las pilas como sigue:

- No combine marcas de pilas.
- No combine pilas nuevas y viejas. Hacerlo podría acortar la duración de las pilas o causar el derrame del ácido de las pilas.
- Cambie las pilas agotadas de inmediato para evitar fugas de ácido en el compartimento de las pilas.
- No toque el ácido derramado, ya que puede causarle daño a la piel.
- Quite las pilas si no va a utilizar el control durante un periodo largo.
- No exponga las pilas al calor excesivo del sol o del fuego o de otras fuentes de calor, ya que las pilas podrían explotar.
- Apriete los tornillos para mantener el grado de protección de ingreso del control remoto.

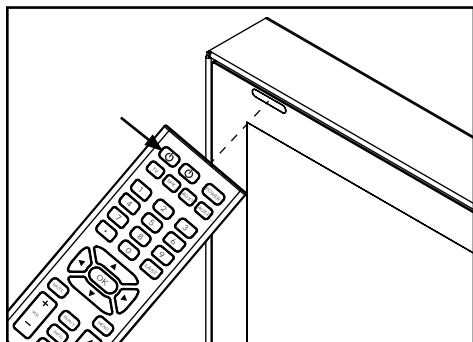


# INSTRUCCIONES DE USO

## Encender/Apagar la Pantalla

Encienda la pantalla utilizando el control remoto o el botón localizado en la parte inferior izquierda de la pantalla. La pantalla se encenderá, pero es posible que la imagen no aparezca durante varios segundos mientras se completa la secuencia de encendido.

Apunte el control remoto al sensor infrarrojo localizado en la esquina superior izquierda si la pantalla se instaló horizontalmente, o en la esquina superior derecha si se instaló verticalmente, y presione el botón POWER.



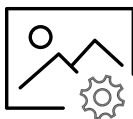
Luz LED	Estado del TV
Constante	Apagado
Parpadeante	Inicio
Apagado	Encendido

## Controles integrados

**Modo Directo:** Permite acceso rápido para seleccionar la fuente, los ajustes del volumen y los canales.

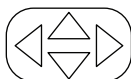
**Modo Menú:** Presione el botón MENU para acceder al Modo Menú y activar la visualización en pantalla. Para ver una descripción del funcionamiento de la visualización en pantalla consulte la próxima sección. Los botones del teclado numérico tienen las funciones de la tabla de abajo.

Modo Directo	Modo Menú	
Encender/Apagar	Encender/Apagar	
Seleccionar fuente	Seleccionar fuente	
Menú	Intro	
Subir canal	Arriba	
Bajar canal	Abajo	
Subir volumen	Derecha	
Bajar volumen	Izquierda	

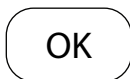


## Imagen

<p><b>Modo Imagen</b></p> <p>Permite que el usuario ajuste el brillo, el contraste, el color y la nitidez de las imágenes de video para que se visualicen mejor al entorno en el que se muestran.</p>	<p>Estándar Dinámico Tenue Usuario</p>
<p><b>Temperatura del color</b></p> <p>Permite que el usuario haga ajustes para igualar la luz natural para realzar cómo se visualizan las imágenes de video mediante los ajustes predeterminados o el ajuste individualizado del "Usuario".</p>	<p>Normal Cálido Frio Usuario</p>
<p><b>Ajustes Avanzados</b></p>	
<p><b>Relación de aspecto</b></p> <p>Permite que el usuario cambie el tamaño de una imagen para maximizar el espacio de la pantalla. Nota: No todas las fuentes ofrecen todas las opciones predeterminadas.</p>	<p>16:9 / Ancha / Ampliar / Cinema / 1:1 / 4:3</p>
<p><b>Reducción de ruido</b></p>	<p>(para uso futuro)</p>
<p><b>Contraste dinámico</b></p>	<p>(para uso futuro)</p>
<p><b>Gama del color</b></p> <p>Permite que el usuario cambie la gama del color manual o automáticamente.</p>	<p>Auto 0 - 255 16 - 235</p>
<p><b>Gama</b></p> <p>Permite que el usuario cree diferentes niveles para la transición de imágenes oscuras a imágenes claras en la pantalla.</p>	<p>1 / 2 / 3 / 4 / 5</p>
<p><b>Modo RGB solamente</b></p> <p>Cuando se utiliza, esta función ilumina solamente los píxeles de color seleccionados; cuando se utiliza esta función con patrones de barras de color SMPTE, el usuario puede ajustar la fidelidad del color de la pantalla. (Nota: Esta función se tiene que utilizar con una señal de contenido; sin una señal de contenido, la intermitencia de las imágenes es normal.</p>	<p>Apagado / Rojo / Verde / Azul</p>



Navegar



Aceptar



Salir

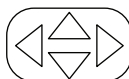


Intro

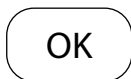


### Audio

<p><b>Modo sonido</b> Permite que el usuario ajuste la frecuencia de salida de los agudos y de los bajos por el conector analógico para auriculares. Nota: Estos ajustes no afectan la salida de TOSLink (audio digital).</p>	<p>Estándar Música Película Usuario</p>
<p><b>Equilibrar:</b> Cambia la salida por el altavoz la izquierda o de la derecha. Nota: Estos ajustes no afectan la salida de TOSLink (audio digital).</p>	<p>Predeterminado = 0 (Centralizado)</p>
<p><b>Salida de audio digital</b> Establece la salida del puerto TOSLink.</p>	<p>Apagado / PCM / formato Raw</p>
<p><b>Sonido envolvente</b> Aplica el procesamiento de señales digitales a la salida de audio para simular una salida de audio de escala más ancha.</p>	<p>Encendido / Apagado</p>
<p><b>AVL</b> Permite que el usuario aplique la nivelación automática del volumen para mantener un nivel más uniforme del audio, independientemente del canal o del programa que se sintonice.</p>	<p>Encendido / Apagado</p>



Navegar



Aceptar



Salir

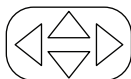


Intro

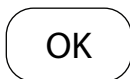


## Hora

<p><b>Apagado Automático</b> Permite que el usuario establezca una hora predeterminada para que se apague la pantalla.</p>	<table> <tr> <td>Apagado</td> <td>60 min</td> </tr> <tr> <td>5 min</td> <td>90 min</td> </tr> <tr> <td>10 min</td> <td>120 min</td> </tr> <tr> <td>15 min</td> <td>180 min</td> </tr> <tr> <td>30 min</td> <td>240 min</td> </tr> </table>	Apagado	60 min	5 min	90 min	10 min	120 min	15 min	180 min	30 min	240 min
Apagado	60 min										
5 min	90 min										
10 min	120 min										
15 min	180 min										
30 min	240 min										
<p><b>Horario de verano</b> Permite que el usuario programe la pantalla para que cambie al horario de verano.</p>	<p>Encendido / Apagado</p>										
<p><b>Formato de la Hora</b> Permite que el usuario escoja el formato de la hora según el caso de uso.</p>	<p>12 horas / 24 horas</p>										
<p><b>Reloj</b> Permite que la pantalla mantenga la hora correcta para la programación. La hora se puede ajustar manualmente.</p>	<p>Año (definido por el usuario) Mes: 1 - 12 Día: 1 - 31 Hora: 12:00 a.m. - 11:00 p.m. Minutos: 0 - 60</p>										
<p><b>Plan de eficiencia energética 1</b> Permite que el usuario establezca una frecuencia, una hora y una fecha específicas para que la pantalla se encienda o se apague automáticamente.</p>	<p>Apagado / Una vez / Todos los días / Lunes - viernes / Lunes - sábado / Anualmente</p>										
<p><b>Plan de eficiencia energética 2</b> Permite que el usuario establezca un plan para complementar el Plan de eficiencia energética 1.</p>	<p>Apagado / Una vez / Todos los días / sábado - Domingo / Domingo / Anualmente</p>										



Navegar



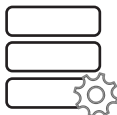
Aceptar



Salir

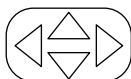


Intro

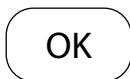


## Configuración

<b>Idioma del menú</b> Permite que el usuario escoja el idioma predeterminado de visualización en pantalla.	Inglés / Español / Francés / Alemán / Italiano / Ruso
<b>Transparente</b> Permite que el usuario cambie la transparencia del menú de visualización en pantalla.	0%                      75% 25%                     100% 50%
<b>Tiempo de visualización en pantalla</b> Permite que el usuario establezca el tiempo durante el que se muestra el menú de visualización en pantalla.	15 segundos / 30 segundos / 45 segundos / 60 segundos
<b>Etiqueta de la entrada</b> Permite que el usuario escoja el nombre de la etiqueta de la entrada.	Definido por el usuario Hasta 10 caracteres alfa / Numéricos / Símbolos
<b>Ajustes del sistema</b>	
<b>Encendido automático</b> Permite que el usuario programe la pantalla para que cambie a un estado energético específico seleccionado por el usuario.	Encendido / Apagado / Memoria
<b>Indicador de encendido</b> Permite que el usuario programe el estado del indicador cuando la pantalla está apagada.	Encendido / Apagado
<b>Modo ahorro energético</b>	
<b>Apagado por falta de señal</b> Permite que el usuario establezca el tiempo después del que se apaga la pantalla si no hay una señal de contenido. La pantalla se encenderá con el comando para encender o subir el volumen.	1 min 2 min 5 min 10 min
<b>Dormido por falta de señal</b> Permite que el usuario programe la pantalla para que se duerma si no hay una señal de contenido. La pantalla se reactivará cuando se restablezca la señal.	Apagado / Encendido
<b>Modo en espera</b> Permite que el usuario mantenga del puerto de RJ45 encendido cuando esté en espera, lo cual es necesario para el control y la vigilancia de la red de la pantalla. Si el puerto de LAN no se va a utilizar, el usuario puede cambiar el modo en espera a Pasivo para ahorrar energía cuando la pantalla esté en espera.	Activo / Pasivo



Navegar



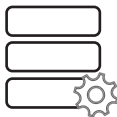
Aceptar



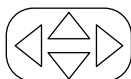
Salir



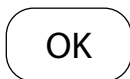
Intro



<b>Configuración</b>	
<b>Retroiluminación</b>	
<p><b>Modo ahorro</b> Permite que el usuario utilice un ajuste predeterminado, un ajuste individualizado, el sensor de luz ambiental o un plan individualizado de retroiluminación para ajustar el brillo general de la pantalla.</p>	<p>Mín. / Medio / Máx. / ALS / Retroiluminación personal / Horario individualizado</p>
<p><b>Retroiluminación personal</b> Permite que el usuario establezca el nivel de retroiluminación al utilizar el Modo ahorro "Personal".</p>	<p>0 - 100</p>
<p><b>Horario individualizado</b> Permite que el usuario establezca su propio nivel de retroiluminación. El usuario pueda establecer dos niveles de retroiluminación para utilizarlos a diferentes horas del día.</p>	<p>Horario individualizado 1 &amp; 2: 0 ~ 100 intensidad de la retroiluminación Hora para el cambio del nivel de retroiluminación</p>
<b>Desplazamiento de píxeles</b>	
<p><b>Desplazamiento de píxeles</b> Permite que el usuario ajuste el desplazamiento de píxeles para evitar la retención de imágenes al utilizar imágenes estáticas.</p>	<p>Encendido / Apagado</p>
<p><b>Rango horizontal</b> Permite que el usuario establezca cuántos píxeles la imagen se desplazará horizontalmente.</p>	<p>2 / 4 / 6 / 8 / 10</p>
<p><b>Rango vertical</b> Permite que el usuario establezca cuántos píxeles la imagen se desplazará verticalmente.</p>	<p>2 / 4 / 6 / 8 / 10</p>
<p><b>Frecuencia</b> Permite que el usuario determine la frecuencia con la que ocurre el desplazamiento de píxeles.</p>	<p>1 min / 2 min / 5 min / 10 min / 30 min</p>



**Navegar**



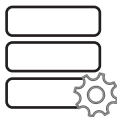
**Aceptar**



**Salir**

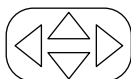


**Intro**

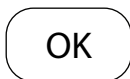


## Configuración

<b>Información de la red</b> Permite que el usuario obtenga una lectura visual de la información del IP que se ha emitido para la pantalla. La configuración predeterminada de la pantalla es el DHCP (la información del IP se puede ver mediante la página web).	(información solamente)
<b>Información de los sensores</b> Permite que el usuario obtenga una lectura visual de los sensores de la pantalla que se utilizan para conocer el estado y la condición de la pantalla. (La información de los sensores se puede ver mediante la página web).	(información solamente)
<b>Apoyo técnico de Peerless-AV</b> Permite que el usuario conozca el número de modelo, el número de serie y la revisión del firmware.	(información solamente)
<b>Restablecer los ajustes de fábrica</b> Permite que el usuario restablezca los ajustes de fábricas de la pantalla.	Sí / No
<b>peerConnect</b> Permite que el usuario programe la pantalla para ajustarse al CEC (Consumer Electronic Control) para facilitar la navegación cuando se utiliza una fuente que responde a la norma del CEC.	Encendido / Apagado
<b>Cambio automático de la fuente</b>	
<b>Cambio automático de la fuente</b> Permite que el usuario programe la pantalla para que busque una señal de contenido si se interrumpe la señal de la fuente principal.	Encendido / Apagado
<b>Recuperación de la fuente prioritaria</b> Permite que el usuario programe la pantalla para buscar una entrada específica designada como primaria o secundaria; si se elimina la fuente primaria, la prioridad pasa a la que se haya sido designada como secundaria.	Encendido / Apagado
<b>Fuente primaria</b> Permite que el usuario escoja la entrada de la fuente principal.	AV / DP / HDMI 1 / HDMI 2 / Fuentes mediáticas de USB
<b>Fuente secundaria</b> Permite que el usuario designe una segunda fuente prioritaria si se interrumpe el contenido de la entrada primaria.	AV / DP / HDMI 1 / HDMI 2 / Fuentes mediáticas de USB
<b>Actualización del Software</b> Permite que el usuario inicie una actualización disponible del software mediante el puerto de USB.	Sí / No



Navegar



Aceptar



Salir

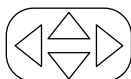


Intro

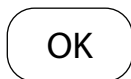


### Bloqueo

<b>Indicar una contraseña</b>	PIN predeterminado = 0000
<b>Establecer una contraseña</b> Permite que el usuario cambie el PIN por su seguridad.	(Definido por el usuario) Combinación numérica de 4 dígitos
<b>Activar el bloqueo de seguridad</b> Permite que el usuario asigne un comando fijo al botón power externo.	Encender solamente Encender o apagar Bloquear el botón
<b>Reproducción automática del USB</b> Permite que el usuario programe el USB como la fuente prioritaria al encender la pantalla.	Apagado / Película / Fotografías
<b>Bloqueo del sistema</b> Permite que el usuario bloquee los ajustes individualizados del contenido permitido.	Encendido / Apagado
<b>Bloqueo de la fuente</b> Permite que el usuario bloquee una o todas las fuentes; se requiere el PIN para desbloquear las entradas.	Bloquear / Desbloquear



Navegar



Aceptar



Salir



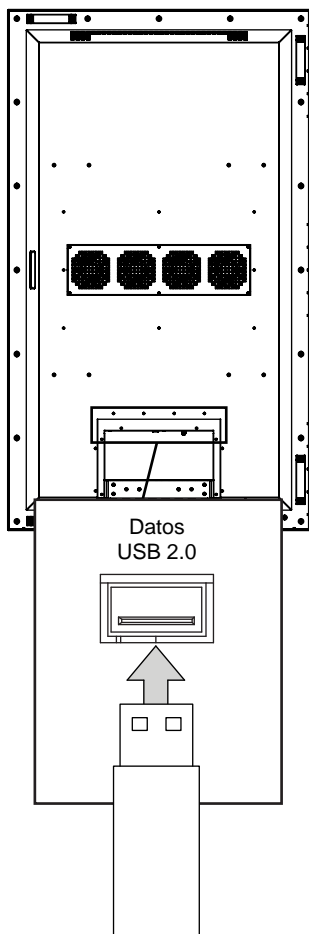
Intro



## Funcionalidad USB

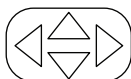
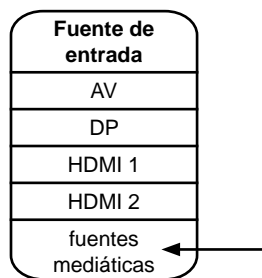
1

Inserte una memoria flash en el puerto de datos USB 2.0 del panel de entradas de la pantalla.



2

Seleccione la fuente mediática para acceder al contenido.



Navegar

OK

Aceptar

EXIT

Salir

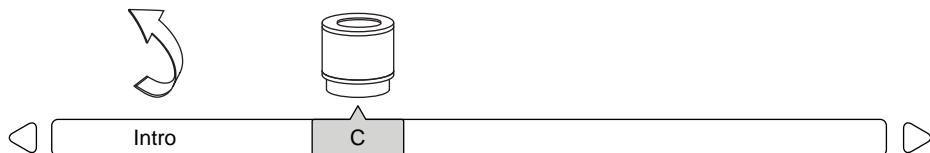
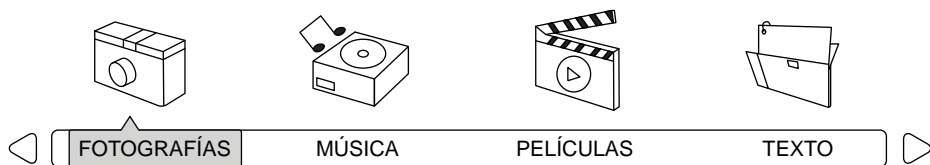
MENU

Intro

## Funcionalidad USB

### 3

Seleccione el tipo de archivo mediático y el archivo del contenido almacenado.



### 4



**Fotografías** – Para ver una sola fotografía, seleccione la fotografía y presione PLAY. Para ver una presentación de diapositivas, seleccione varias fotografías y presione PLAY. Utilice el menú en pantalla para controlar la presentación.



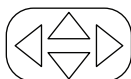
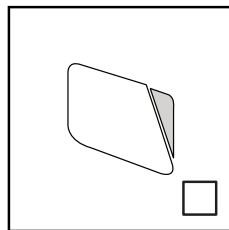
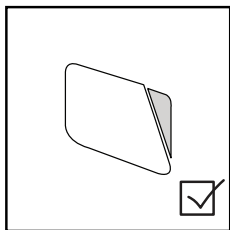
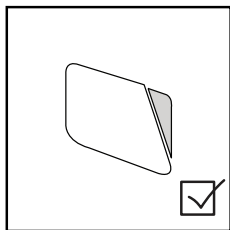
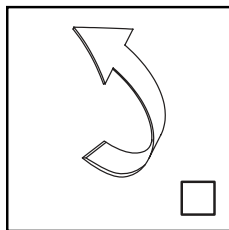
**Música** – Para oír una sola canción, seleccione la canción y presione PLAY. Para oír una lista de reproducción, seleccione varias canciones y presione PLAY.



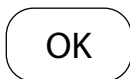
**Películas** – Para ver un solo video, seleccione el video y presione PLAY. Para ver una lista de reproducción, seleccione varios videos y presione PLAY.



**Texto** – Para ver un solo archivo de texto, seleccione el archivo y presione PLAY. Para ver una lista de reproducción, seleccione varios archivos y presione PLAY.



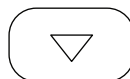
Navegar



Aceptar



Salir



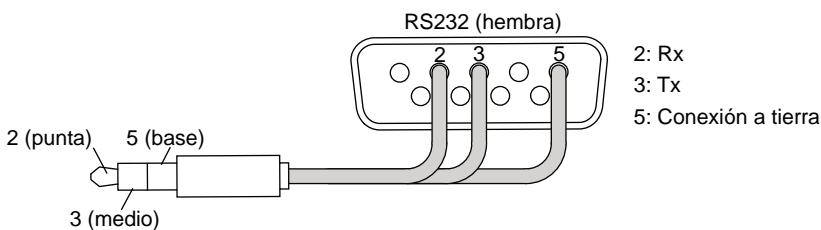
Esconder el menú

## (RS-232C) Control en serie de la pantalla

Raccordez un câble RS-232C (de type droit) au D-Sub RS-232C fourni pour utiliser la fonction de contrôle série. La commande par RS232 ne doit être utilisée que par des experts familiers avec la programmation RS232.

(0):	A0, F0, 55, FF, 56, A9	Izquierda:	A0, F0, 55, FF, 0C, F3
(1):	A0, F0, 55, FF, 42, BD	Menú:	A0, F0, 55, FF, 4E, B1
(2):	A0, F0, 55, FF, 43, BC	Mudo:	A0, F0, 55, FF, 14, EB
(3):	A0, F0, 55, FF, 0F, F0	OK:	A0, F0, 55, FF, 02, FD
(4):	A0, F0, 55, FF, 1E, E1	PMODE:	A0, F0, 55, FF, 4B, B4
(5):	A0, F0, 55, FF, 1D, E2	Apagar:	A0, F0, 55, FF, AD, 52
(6):	A0, F0, 55, FF, 1C, E3	Encender:	A0, F0, 55, FF, AE, 51
(7):	A0, F0, 55, FF, 18, E7	Encender/Apagar:	A0, F0, 55, FF, 0B, F4
(8):	A0, F0, 55, FF, 45, BA	Derecha:	A0, F0, 55, FF, 05, FA
(9):	A0, F0, 55, FF, 4C, B3	Dormir:	A0, F0, 55, FF, 53, AC
AV:	A0, F0, 55, FF, ED, 12	SMODE:	A0, F0, 55, FF, 5B, A4
DisplayPort:	A0, F0, 55, FF, E4, 1B	Fuente:	A0, F0, 55, FF, 01, FE
Abajo:	A0, F0, 55, FF, 0D, F2	Sonido envolvente:	A0, F0, 55, FF, C7, 38
Salir:	A0, F0, 55, FF, 1B, E4	Arriba:	A0, F0, 55, FF, 17, E8
HDMI 1:	A0, F0, 55, FF, DE, 21	USB:	A0, F0, 55, FF, 57, A8
HDMI 2:	A0, F0, 55, FF, DF, 20	Volumen +:	A0, F0, 55, FF, 0A, F5
Interruptor de HDMI:	A0, F0, 55, FF, EC, 13	Volumen -:	A0, F0, 55, FF, 40, BF
Info:	A0, F0, 55, FF, 50, AF	Ampliar:	A0, F0, 55, FF, 51, AE

Ajustes COM	
Velocidad de transferencia	38400
Bits de datos	8
Paridad	Ninguna
Bits de parada	1



## Cuidado de la pantalla

---

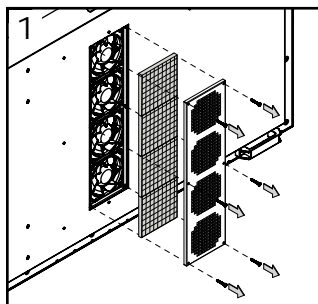
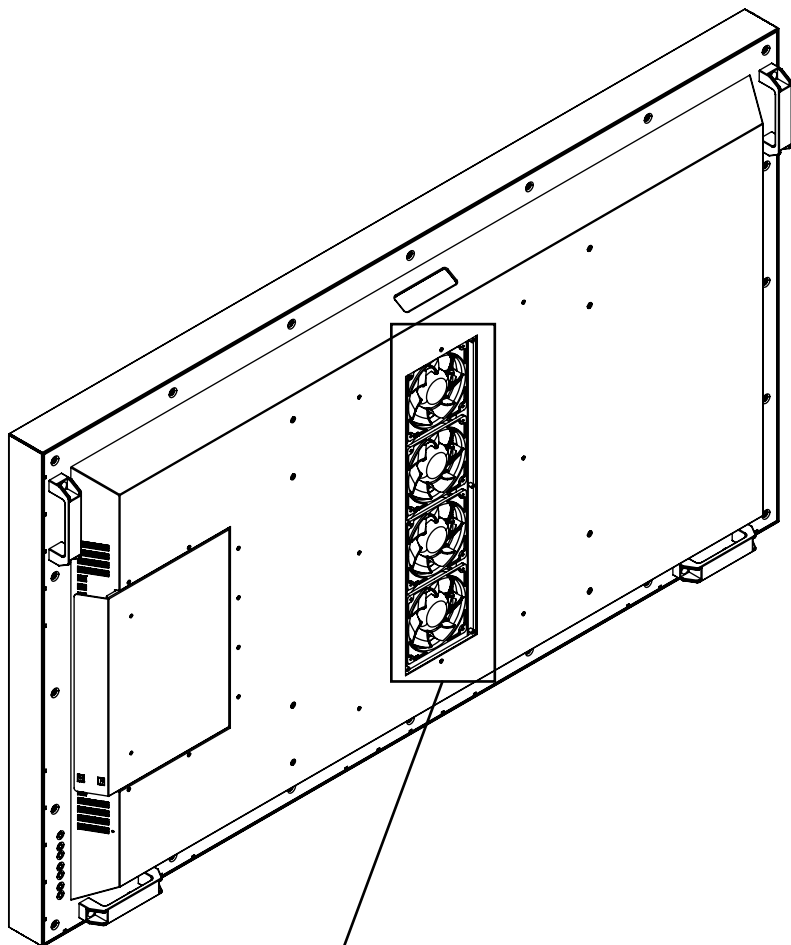
No frote ni golpee la pantalla con objetos duros, ya que puede rayar, marcar y hasta dañar la pantalla permanentemente. Asegúrese de que la pantalla esté instalada en un lugar seguro contra el contacto con abrasivos o escombros impulsados por el aire, los cuales podrían causarle daños a la pantalla LCD. Nunca utilice amoníaco ni productos que contengan amoníaco, ya que dañará la capa antirreflejo de la pantalla. Utilice solamente productos aprobados para la limpieza de pantallas. Desenchufe el cable eléctrico antes de limpiar la pantalla. Quítele el polvo a la pantalla limpiando la pantalla y los paneles exteriores con un paño limpio y suave. Si necesita una limpieza más profunda, utilice un paño limpio y húmedo. No utilice limpiadores en aerosol ni solventes de tipo alguno. No utilice ningún químico, como solvente de pintura o benceno para limpiar el exterior del producto. Podría rayar las superficies, borrar indicaciones necesarias, etiquetas de identificación o instrucciones exteriores, lo cual puede causar el mal uso o funcionamiento del producto.

## Fin del ciclo de vida útil

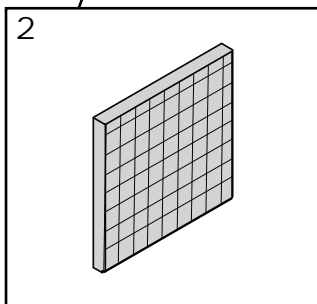
---

En un esfuerzo por ofrecer productos ecológicos que no dañen el medioambiente, su nueva pantalla contiene materiales que se pueden reciclar y reusar. Cuando finalice el ciclo de vida útil de su pantalla, existen compañías especializadas que pueden minimizar los desperdicios de la pantalla separando los materiales reusables de los demás. Por favor, asegúrese de desechar su pantalla de acuerdo con las regulaciones locales.

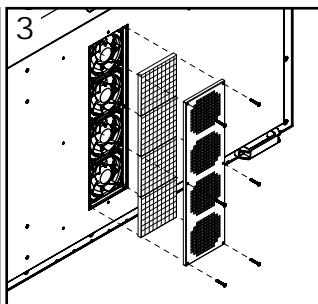
## Limpiar el filtro del ventilador



Quite la cubierta.



Limpe el filtro del ventilador bajo agua corriente hasta que esté limpio.



Vuelva a colocar el filtro y la cubierta.

**ESP** Página en blanco.

**ESP** Página en blanco.

**ESP** Página en blanco.



## Manuel de l'utilisateur

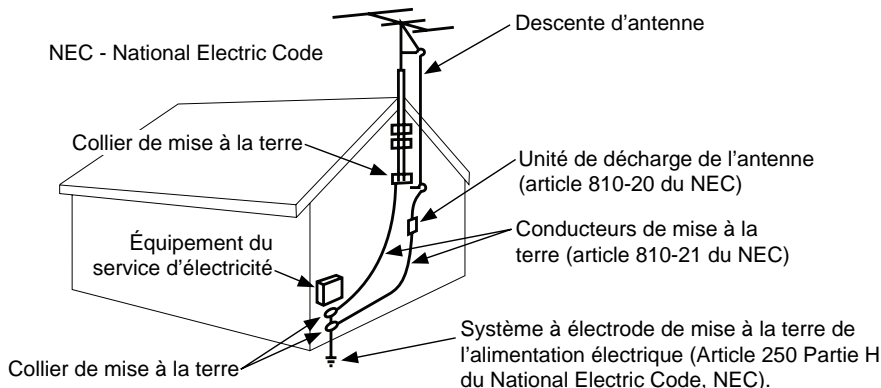
### ÉCRAN EXTÉRIEUR XTREME™ HIGH BRIGHT



# INSTALLATION DU SYSTÈME ET EXIGENCES EN MATIÈRE D'ÉLECTRICITÉ

## Code de l'électricité

Remarque à l'usage de l'installateur du système d'affichage: Ce rappel vise à attirer l'attention de l'installateur sur l'article 820-44 du National Electric Code qui fournit des lignes directrices pour une mise à la terre appropriée et, plus particulièrement, précise que le câble de mise à la terre devrait être branché au système de mise à la terre du bâtiment. Les prises de courant murales devraient être installées à proximité de l'équipement et demeurer facilement accessibles.



Remarque: L'installation devrait comprendre un dispositif externe de protection contre les surtensions figurant sur la liste d'UL d'une puissance assignée de 2500 Vpk ou moins, pour des secteurs de 150 à 300 V c.a., installé conformément aux exigences prévues à l'article 285 de la norme ANSI/NFPA 70 ou dans les codes locaux applicables.

## Source d'alimentation

L'écran doit être raccordé à une prise dotée d'une connexion à la terre de protection.

La prise sur secteur est utilisée comme dispositif de sectionnement et doit demeurer facilement accessible.

L'installation électrique doit se faire en conformité aux parties concernées du chapitre 8 du code ANSI/NFPA 70.

L'antenne extérieure ne devrait pas se trouver à proximité des lignes électriques aériennes ou de tout circuit électrique.

Si une antenne extérieure est branchée au récepteur, assurez-vous que le système de l'antenne est mis à la terre et offre une protection contre les surtensions et l'accumulation de charges électrostatiques. L'article 810 du National Electric Code ainsi que la norme ANSI/NFPA no 70-1984 fournissent de l'information sur la mise à la terre appropriée du mât et de la structure d'appui, la mise à la terre de la descente d'antenne jusqu'à l'unité de décharge de l'antenne, la taille des raccords de mise à la terre, l'emplacement de l'unité de décharge de l'antenne, le branchement aux électrodes de mise à la terre et les exigences relatives aux électrodes de mise à la terre.

Cet écran fonctionne sur 100-240 volts 50-60 Hz, c.a. Ne jamais connecter l'écran au courant continu ou à tout autre voltage que celui spécifié.

Pour éviter tout choc électrique, n'utilisez pas l'écran avec une rallonge, une prise de distribution ni aucune autre prise de courant à moins de pouvoir insérer complètement les lames et la borne de terre de manière à éviter d'exposer les lames.

Toutes les lignes secondaires doivent être acheminées par un conduit mis à la terre et rester séparées de la ligne à c.a.

## AVERTISSEMENT DE LA FCC

---

Afin d'assurer une conformité continue et d'éviter de possibles interférences indésirables, il est possible d'utiliser des noyaux de ferrite lors de la connexion de cet écran avec l'équipement vidéo ; maintenir un espacement d'au moins 400mm (15,75 pouces) avec les autres appareils périphériques.

## DÉCLARATION DE LA FCC

---

Cet appareil a été testé et déclaré conforme aux limites établies pour des appareils numériques de classe B, en vertu des dispositions de l'alinéa 15 de la réglementation FCC. Ces limites sont destinées à fournir une protection raisonnable contre les interférences nuisibles dans le cadre d'une installation résidentielle. Le présent équipement génère, utilise et peut émettre des radiofréquences susceptibles, à défaut d'une installation adéquate et d'une utilisation conforme à ces instructions, de produire des interférences dangereuses pour les communications radio. Cependant, il n'y a aucune garantie d'absence de brouillage dans une installation donnée. S'il s'avère que ce produit provoque un brouillage nuisible à la réception radio ou télévisuelle, ce que permet de constater la simple mise en route et fermeture de l'appareil, vous êtes alors invité à tenter de corriger l'interférence en effectuant une ou plusieurs des corrections suivantes:

1. Réorienter ou déplacer l'antenne de réception.
2. Augmenter la distance entre l'équipement et le récepteur.
3. Brancher le matériel dans une prise de courant qui se trouve sur un circuit différent de celui sur lequel le récepteur est branché.
4. Consulter le distributeur ou un technicien expérimenté en radio/TV pour obtenir de l'aide.

Le présent appareil est conforme à la section 15 des règles de la FCC. Son fonctionnement est assujéti aux deux conditions suivantes:

- Cet appareil ne doit pas produire de brouillage préjudiciable.
- Cet appareil doit accepter tout brouillage subi, même si le brouillage est susceptible d'en compromettre le fonctionnement.

## Renseignements pertinents

---

Inscrire ici le modèle et le numéro de série l'appareil pour consultation future. Conserver ce manuel de l'utilisateur dans un endroit facile d'accès au cas où une réparation serait nécessaire.

Remarque : Le numéro de série de votre écran se trouve sur le boîtier, sous le couvercle arrière, et dans le menu du manuel d'installation dans la partie Assistance technique Peerless-AV.

Numéro de modèle \_\_\_\_\_

Numéro de série \_\_\_\_\_

# MESURES GÉNÉRALES DE SÉCURITÉ

## Lire les instructions avant d'utiliser le matériel

Nous vous remercions d'avoir fait l'acquisition de notre produit. Avant utilisation, veuillez lire attentivement ce manuel de l'utilisateur et suivre les instructions pour assurer un fonctionnement en toute sécurité. Veuillez vous assurer de conserver ce manuel pour consultation ultérieure lors du transfert ou du transport de ce produit à un autre endroit.

## ▲ AVERTISSEMENT

En cas d'urgence, comme un incendie ou un choc électrique provoqué par le produit, contacter immédiatement le 911 ou les services de police/d'incendie appropriés de votre pays.

Pour réduire les risques de choc électrique ou d'incendie, respectez les consignes suivantes:

- En cas de défaillance du produit ou d'événements inhabituels comme une odeur de brûlé, de la fumée ou une perte de signaux du contenu en raison d'une surchauffe interne, mettre immédiatement l'appareil hors tension, débrancher le cordon électrique et communiquer avec le fabricant.
- Ne pas démonter, modifier ni réparer le produit d'une manière autre que celle décrite dans ces instructions. Toute modification non autorisée du produit annule automatiquement la garantie.
- Ne Pas toucher les câbles d'antenne, les fils, les câbles ni les fiches électriques en présence de foudre ou de tonnerre, ou avec les mains mouillées.
- Ne pas immerger dans l'eau.
- Ne pas détruire, traiter ou placer près d'une source de chaleur..
- Ne pas installer à proximité de gaz toxiques ou d'une atmosphère chimiquement instable.
- Ne pas installer à proximité d'un champ magnétique puissant ou d'un champ de courant électrique.
- Ne pas installer le produit sur des surfaces instables, à proximité d'objets mobiles ou d'un équipement vibrant ou sur des surfaces inégales. Veuillez suivre les directives d'installation appropriées pour une utilisation sans danger du produit, car une installation inappropriée peut provoquer la chute du produit.
- Ne laisser Aucune source d'incendie telle qu'une bougie, à proximité du produit ou sur celui-ci car cela pourrait provoquer un incendie ou l'endommager.
- Ne pas faire fonctionner le produit s'il est tombé ou s'il a été heurté. Tout impact physique sur le produit peut causer le déplacement et le bris de certains de ses composants internes.
- Ne pas plier ou tordre les cordons électriques, fiches électriques, câbles ou fils avec une force excessive.
- Ne pas obstruer les fentes de ventilation ni poser d'objets lourds sur le produit.
- Utilisez la tension assignée. L'utilisation d'une tension non assignée peut provoquer un incendie, une décharge électrique et endommager gravement le produit.
- Ne pas utiliser de prises d'alimentation ou de barres d'alimentation sur lesquelles sont branchés de nombreux autres appareils. Utiliser une prise de courant désignée avec disjoncteur de fuite de terre correspondant à la tension nominale pour assurer la sécurité d'utilisation du produit.
- Ne pas déplacer ni transporter lorsque des câbles (d'alimentation, de connexion au contenu) sont branchés sur les périphériques source.
- Toujours brancher la fiche d'alimentation fermement et complètement. Toujours débrancher les câbles en tirant sur la fiche et non sur le cordon.
- Toujours éteindre l'appareil pour brancher ou débrancher les cordons ou les câbles de branchement électriques afin d'éviter une décharge électrique ou d'endommager le produit.
- Ne pas contourner le dispositif de sécurité de la fiche électrique polarisée ou de mise à la terre. Une fiche polarisée possède deux lames, dont l'une est plus large que l'autre. Une fiche de mise à la terre a deux lames et une troisième broche de mise à la terre. La lame large ou troisième broche est fournie pour votre sécurité. Si la fiche fournie n'est pas adaptée à votre prise de courant, consultez un technicien pour le remplacement de la prise obsolète.
- Placer le cordon électrique de façon à le protéger et qu'il ne soit pas pincé ou que personne ne marche dessus, surtout au niveau des fiches, des prises de service et du point de sortie de l'appareil.

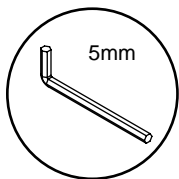
## ▲ AVERTISSEMENT

- Ne jamais appliquer de pression sur l'extérieur de l'écran ACL.
- En cas de cassure du moniteur ou de la vitre, éviter d'entrer en contact avec le cristal liquide et manipuler l'appareil avec soin.
- Ne pas grimper sur le produit.
- Ne pas installer à moins de 1,5 m (5 pi) d'un plan d'eau.
- Ne pas utiliser si la température ambiante excède les limites de fonctionnement ; La température maximale de fonctionnement est -31°F ~ 140°F (-35°C ~ 60°C).
- Les charges solaires élevées peuvent nécessiter de réduire la température maximale de fonctionnement à 14°F (8°C) afin de réduire la possibilité d'artéfacts transitoires sur l'écran.
- Ne pas installer dans une enceinte ou un renforcement ayant moins de 2 pouces d'écoulement d'air autour de l'écran. L'air à l'intérieur de l'écran entièrement encadré doit être ventilé. Les installations faites dans l'enceinte d'une tierce partie sans autorisation écrite de Peerless-AV ne sont pas couvertes par la Garantie limitée Peerless-AV, ni par aucune garantie prolongée.
- Lors de l'installation dans une enceinte ou un renforcement, les températures internes de ces emplacements ne doivent pas excéder les températures maximales de fonctionnement nommées ci-dessus.
- Le produit doit être fixé au bâtiment avant l'utilisation.
- Le produit doit être transporté et supporté par au moins deux personnes.
- Enlever périodiquement la poussière accumulée sur la fiche électrique afin de la garder propre et sèche et d'assurer un fonctionnement correct et sûr.
- N'utiliser que les accessoires spécifiés par le fabricant.

## AVERTISSEMENT

Afin d'éviter la rétention d'image/les images rémanentes sur l'écran à cristaux liquides, ne pas afficher les images statiques plus de 20 minutes à la fois. La rétention d'image est considérée comme usage inapproprié de l'ACL et n'est pas couvert par la Garantie limitée Peerless-AV, ni par aucune garantie prolongée.

Outils nécessaires au montage:



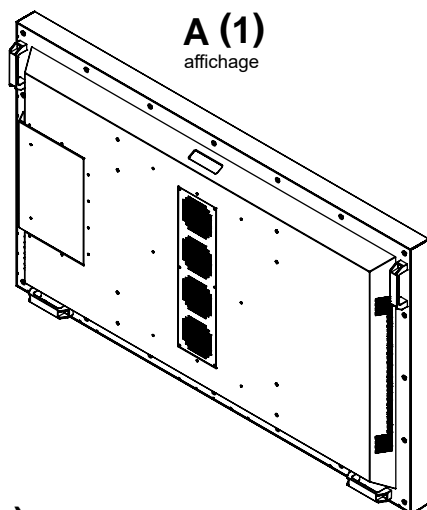
# TABLE DES MATIÈRES

Installation du système et exigences en matière d'électricité .....	66
Code de l'électricité .....	66
Source d'alimentation .....	67
Avertissement de la FCC.....	67
Déclaration de la FCC .....	67
Renseignements pertinents .....	67
Mesures de précaution générales .....	68
Directives D'Installation .....	71
Liste des pièces.....	71
Retrait du couvercle du cordon .....	72
Installation du cordon d'alimentation .....	73
Installation de la rallonge IR .....	73
Installation de la rallonge de capteur de lumière ambiante (ALS).....	73
Câbles de connexion.....	74
Remplacement du couvercle du cordon.....	76
Retrait des poignées .....	77
Branchement à la source d'alimentation .....	77
Préparation de l'écran pour le montage .....	78
Installation et remplacement des piles de la télécommande.....	80
Mode d'emploi .....	81
Mise sous tension / hors tension de l'écran .....	81
Tableau de bord.....	81
Navigation dans le menu à l'écran .....	82
Image .....	82
Audio .....	83
Heure .....	84
Réglages .....	85
Verrouillage .....	88
Fonctionnalité USB.....	89
(RS-232C) Contrôle en série de l'écran .....	91
Entretien .....	92
Entretien de l'écran .....	92
Directives relatives à la fin de vie .....	92
Nettoyer le filtre du ventilateur .....	93
Garantie .....	96

# DIRECTIVES D'INSTALLATION

## Liste des pièces

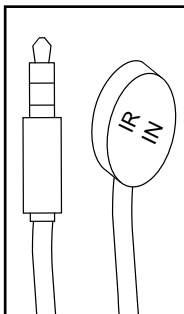
Description	Qty
<b>A</b> affichage	1
<b>B</b> télécommande	1
<b>C</b> câble d'extension IR	1
<b>D</b> câble électrique régional	3
<b>E</b> clé hexagonale de 3mm	1
<b>F</b> manuel de l'utilisateur (image non disponible)	1
<b>G</b> encart de support technique (image non disponible)	1



**B (1)**  
télécommande



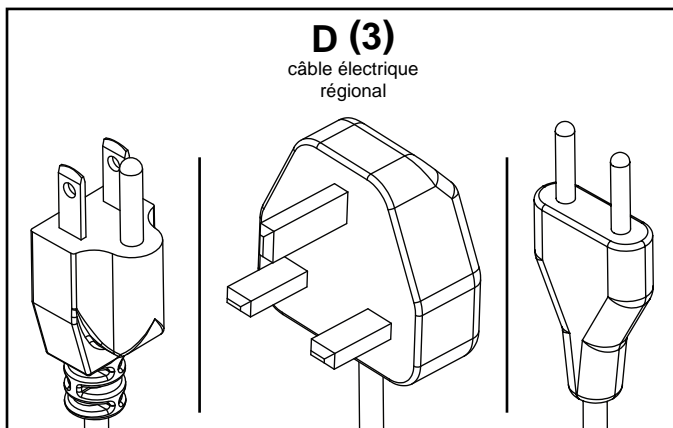
**C (1)**  
câble d'extension IR



**E (1)**  
clé hexagonale de 3mm

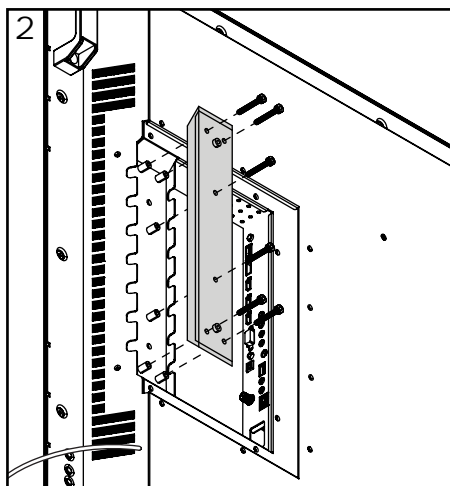
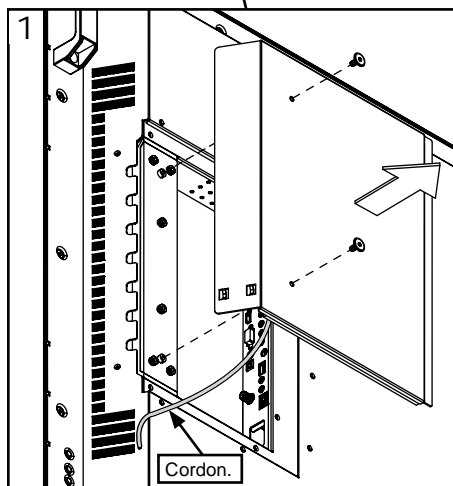
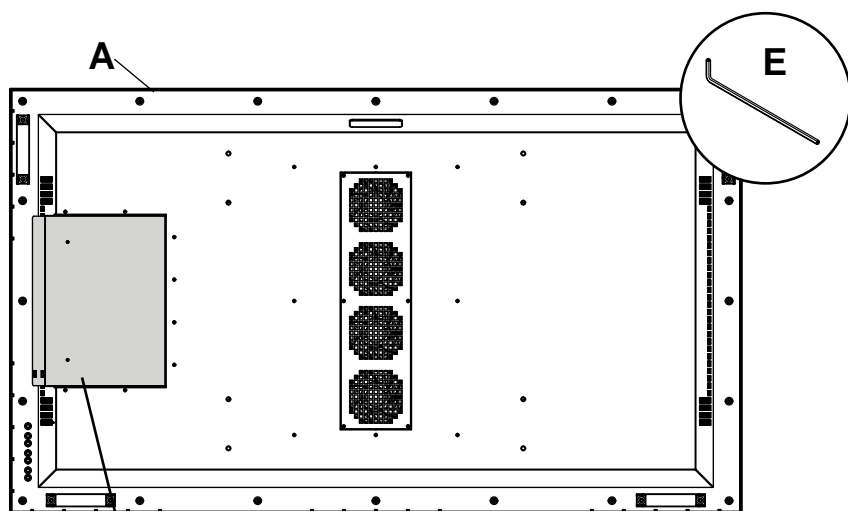


**D (3)**  
câble électrique régional



## Retrait du couvercle du cordon

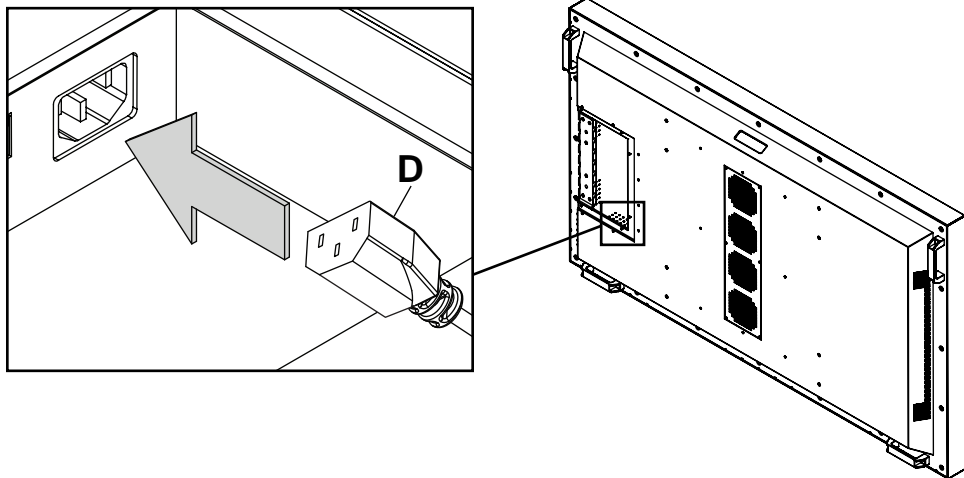
1. Retirer les deux vis à tête hexagonale M5 courtes et le couvercle arrière à l'aide d'une clé Allen 3 mm.  
Ne pas déconnecter le cordon.
2. Retirer les six vis à tête hexagonale M5 et le couvercle du cordon à l'aide d'une clé Allen 3mm.





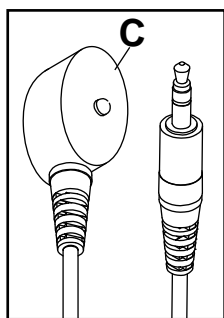
## Installation du cordon d'alimentation

Insérer l'embout femelle du câble électrique dans le port d'alimentation situé à l'intérieur du compartiment d'alimentation.



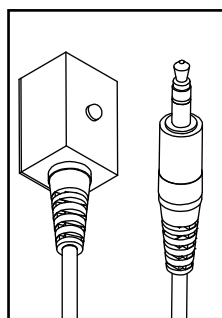
## Installation de la rallonge IR (Optionnel)

Insérez l'extrémité de 3,5mm de la rallonge IR de 5 V fournie dans le port de la rallonge IR situé sur le panneau d'entrée de l'écran. Le port de la rallonge IR pourrait ne pas être compatible avec les rallonges de tierces parties.



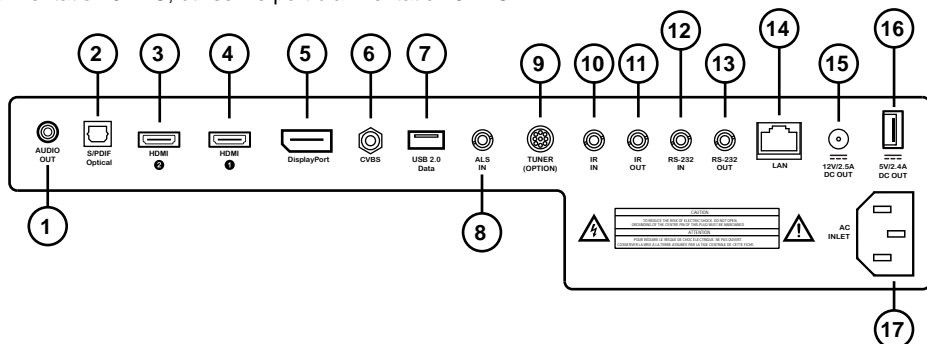
## Installation de la rallonge du capteur de lumière ambiante (Optionnel)

Insérer l'embout de 3,5mm de la rallonge du capteur de lumière ambiante (ACCD-ALS vendu séparément) dans le port de la rallonge du capteur de lumière ambiante sur le panneau d'alimentation de l'écran. La connexion de la rallonge du capteur de lumière ambiante désactivera le capteur de lumière ambiante intégré dans l'écran.



## Câbles de Connexion

Branchez les périphériques source sur l'entrée appropriée de l'écran. Effectuez toutes les connexions avant d'allumer l'écran. Le port de données USB 2.0 est réservé au service et aux médias. Pour une alimentation 5VDC, utilisez le port d'alimentation 5VDC.



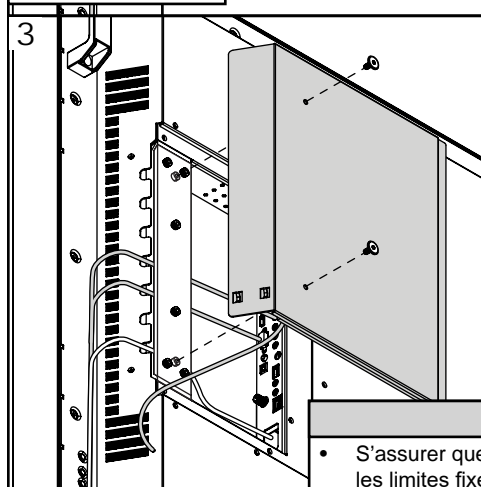
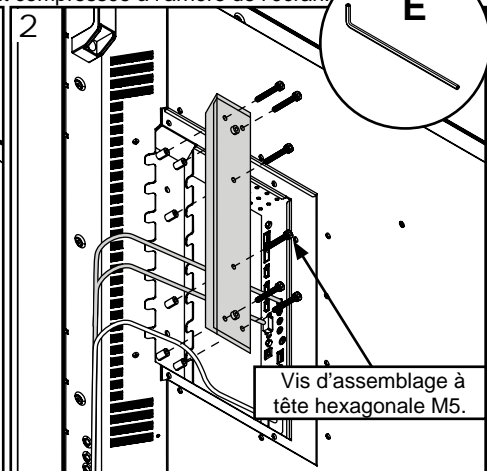
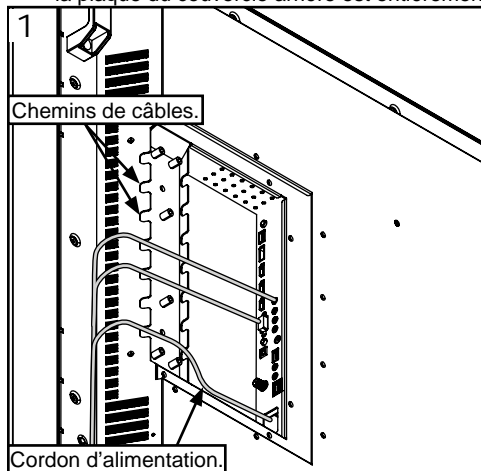
Type de connexion	Description
1 Sortie audio analogique	Fournit la puissance de sortie stéréo analogique
2 Sortie audio numérique S/PDIF	Supporte l'audio numérique
3 Entrée HDMI 2	Supporte l'AV numérique Haute définition / la fonction ARC (canal de retour audio) / peerConnect (CEC)
4 Entrée HDMI 1	Supporte l'AV numérique Haute définition / peerConnect (CEC)
5 Entrée du port de l'écran	Supporte l'AV numérique Haute définition
6 Mini entrée AV	Supporte la vidéo composite et le son Stéréo
7 Entrée USB 2.0	Supporte Texte / Photo / Vidéo ; mise à jour de micrologiciels
8 Entrée de la rallonge de lumière ambiante	Capteur de lumière ambiante vendu séparément
9 Entrée du module antenne	(pour usage futur)
10 Entrée rallonge IR	Supporte l'amplificateur IR inclus
11 Sortie répéteur IR	Émetteur IR /répéteur vendu séparément
12 Entrée RS232C	Supporte le contrôle sériel de l'écran, l'entrée
13 Sortie RS232C	(pour usage futur)
14 Port LAN	Supporte le contrôle et la surveillance du réseau*
15 Sortie Courant continu 12V	Fournit CC 12V, 2,5A
16 Sortie CC 5V	Fournit CC 5V, 2,4A
17 Entrée c.a.	Supporte le câble d'alimentation spécifique à la région 100 ~ 240V, 50/60Hz

\*Visitez la page produit à [www.peerless-AV.com](http://www.peerless-AV.com) pour télécharger les Instructions de contrôle.

**FRN** Cette page a été laissée en blanc intentionnellement.

## Remplacement du couvercle du cordon

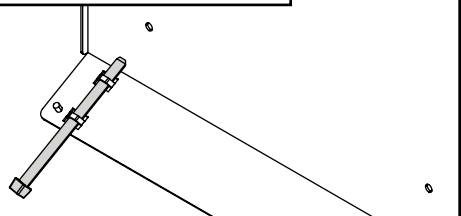
1. Faites passer le cordon d'alimentation et le câble de transmission des signaux par les encoches. Pour éviter toute interférence indésirable, faites passer le cordon d'alimentation par l'encoche la plus basse (voir image 1 ci-dessous).
2. Replacer le couvercle des câbles en vous assurant que les câbles passent par les conduits et ne sont pas pincés. Mettre en place sans serrer six vis à tête hexagonale M5, puis les serrer à l'aide d'une clé Allen 3mm jusqu'à ce que le joint du couvercle soit entièrement compressé au joint du câble.
3. Replacer la plaque du couvercle arrière en vous assurant que les câbles passent par les chemins de câbles et ne sont pas pincés. Attacher les deux vis à tête hexagonale sur la plaque du couvercle arrière à l'aide d'une clé Allen 3mm pour sécuriser. S'assurer que la plaque du couvercle arrière est entièrement compressée à l'arrière de l'écran.



### AVERTISSEMENT

Le non-respect de ces instructions peut entraîner la détérioration ou la destruction du produit et l'annulation de la garantie.

Facultatif: Gestion des câbles.



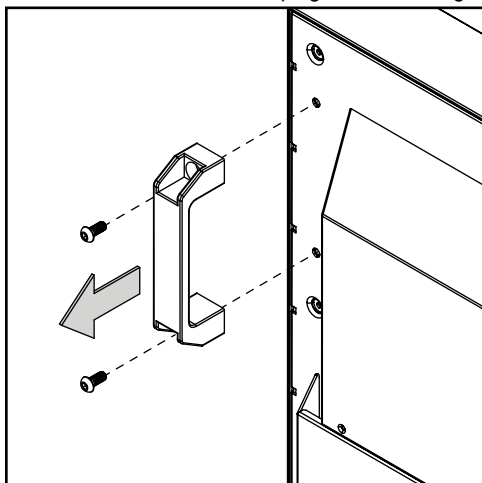
### AVERTISSEMENT

- S'assurer que le rayon de courbure du cordon ne dépasse pas les limites fixées par le fabricant.
- S'assurer que les cordons sont correctement placés dans les chemins de câbles afin d'éviter d'endommager les cordons lors de l'installation du couvercle arrière.
- Ne retirez pas la corde qui relie le couvercle arrière à l'écran.
- Assurez-vous que les câbles sortant du compartiment d'entrée sont acheminés vers le bas lorsque vous installez l'écran en orientation portrait. Si l'installation exige que le câblage soit acheminé vers le haut, s'assurer que les câbles sont acheminés à l'aide d'une boucle d'égouttement.



## Retrait des poignées (Optionnel)

Facultatif : Si vous retirez les poignées, ne changez pas les éléments de fixation.

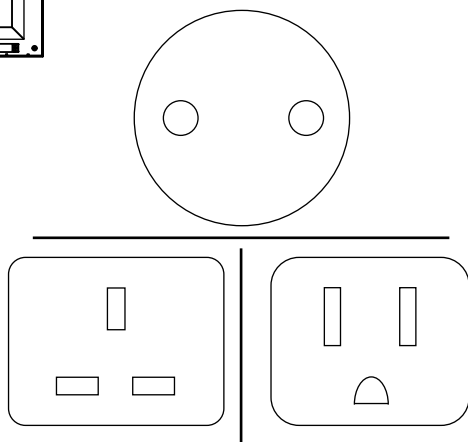
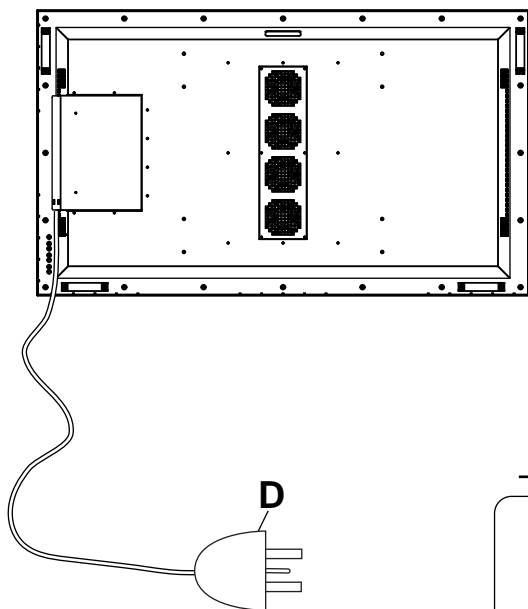


### AVERTISSEMENT

Ne pas retirer les vis au-dessus ou au-dessous des poignées. Le non-respect de ces instructions peut entraîner la détérioration ou la destruction du produit et l'annulation de la garantie.

## Branchement à la source d'alimentation

Branchement du cordon d'alimentation à la prise DDFT.



## Préparation de l'écran pour le montage

Installez les cordons avant de procéder au montage de l'écran. Le panneau d'entrée peut être obstrué après le montage de l'écran.

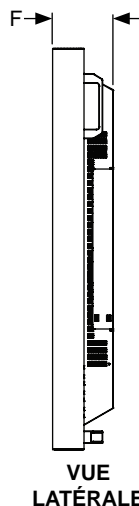
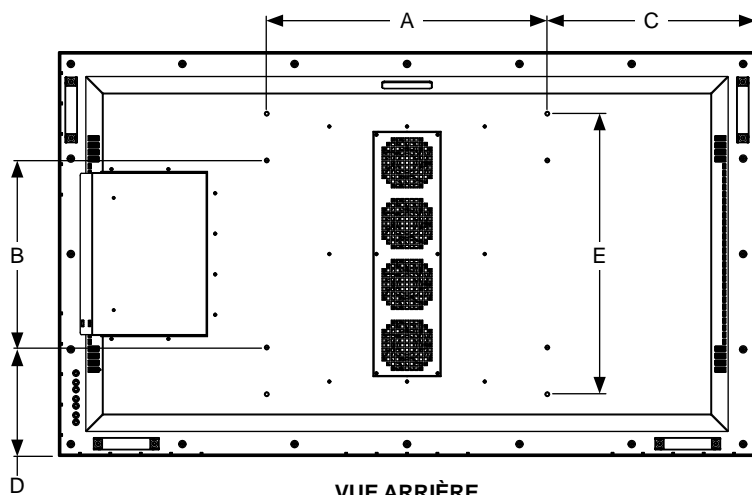
Une solution de montage non incluse est vendue séparément. Contacter votre représentant Peerless-AV pour obtenir une solution de montage extérieur assigné pour votre utilisation particulière.

Pour votre sécurité, installer uniquement un support de montage extérieur assigné pour l'utilisation prévue et qui supporte le poids de l'appareil. Pour un montage extérieur, utiliser des supports de montage respectueux de l'environnement appropriés pour garantir la longévité dans les environnements hostiles.

Consultez le tableau ci-dessous pour déterminer les spécifications de montage de votre écran:

Affichage	Gabarit des trous de montage	Taille des vis pour le support de fixation
65"	600x400mm, 600x600mm	Quatre M8 x 16mm

Affichage	A	B	C	D	E	F
65"	23.62" (600mm)	15.75" (400mm)	17.53" (445mm)	9.17" (233mm)	23.62" (600mm)	5.14" (131mm)

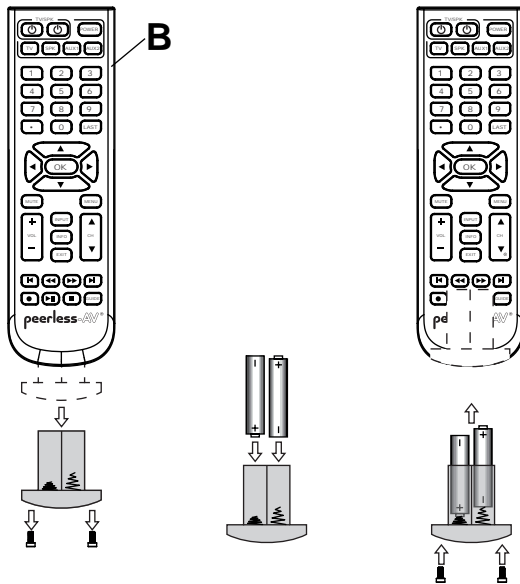




## Installation et remplacement des piles de la télécommande

La télécommande fonctionne avec deux piles 1.5V AAA installées par le fabricant.

Si le voyant DEL ne s'allume pas quand on appuie sur une touche, les piles doivent être remplacées. Suivez les indications ci-dessous pour remplacer les piles.



1. Pour retirer le boîtier de la pile de la télécommande, retirez les deux vis au bout du boîtier de la pile. Faites glisser le boîtier de la pile hors de la télécommande.
2. Insérer deux nouvelles piles de type AAA dans le compartiment pour piles.
3. Glisser le compartiment pour piles dans la télécommande et replacer les deux vis à l'extrémité du compartiment.

### ⚠ AVERTISSEMENT

L'utilisation incorrecte des piles peut entraîner des fuites ou une explosion. Peerless-AV recommande d'utiliser la pile de la manière suivante:

- Ne mélangez pas plusieurs marques de piles.
- Ne pas combiner les nouvelles et les anciennes piles. Cela pourrait écourter la durée de vie de la pile ou provoquer des fuites liquides des piles.
- Retirez immédiatement les piles usées pour empêcher que l'acide de la pile ne fuie dans le compartiment à pile.
- Ne pas toucher l'acide de la pile exposé car cela pourrait endommager la peau.
- Retirez les piles si vous n'allez pas vous servir de la télécommande pendant longtemps.
- Ne pas exposer les piles à la chaleur excessive du soleil, au feu ou à d'autres sources de chaleur, ou les piles peuvent exploser.
- Serrez bien les vis pour maintenir l'indice de protection du point d'entrée de la télécommande.

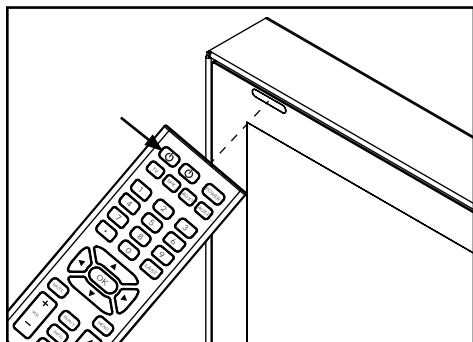


# MODE D'EMPLOI

## Mise sous tension / hors tension de l'écran

Allumer votre écran à l'aide de la télécommande ou du bouton d'alimentation, à droite de l'écran. L'écran s'allumera mais l'image peut mettre quelques secondes à apparaître pendant que l'appareil complète sa séquence d'allumage.

Pointez la télécommande vers le capteur infrarouge situé dans le coin supérieur gauche de l'écran en mode paysage, ou dans le coin supérieur droit en mode portrait, puis appuyez sur le bouton d'alimentation.










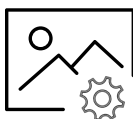
Témoin DEL	État du téléviseur
Allumé en permanence	Arrêt
Clignotant	Démarrage
Arrêt	Marche

## Tableau de bord

**Mode direct:** Permet d'accéder rapidement à la sélection des sources, au réglage du volume et à la sélection des chaînes.

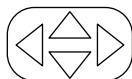
**Mode menu:** Appuyer sur le bouton MENU pour accéder au mode menu et activer la fonction d'affichage à l'écran (AAE). Pour une description du fonctionnement de la fonction d'AAE, veuillez vous reporter à la section suivante.

Mode Direct	Mode Menu	
Marche/Arrêt	Marche/Arrêt	
Sélection de l'entrée	Sélection de l'entrée	
Menu	Retour	
Chaîne vers le haut	Haut	
Chaîne vers le bas	Bas	
Monter le volume	Droit	
Baisser le volume	Gauche	

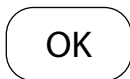


## Image

<p><b>Mode Image</b> Permet aux utilisateurs d'ajuster la luminosité, le contraste, la couleur, et la netteté de l'image vidéo afin de mieux faire correspondre l'image vidéo avec l'environnement dans lequel elle est visionnée.</p>	<p>Standard Dynamique Doux Utilisateur</p>
<p><b>Température de couleur</b> Permet à l'utilisateur de faire correspondre l'éclairage naturel afin d'améliorer l'apparence des images de la vidéo pour l'utilisateur à l'aide des préréglages ou du réglage « utilisateur ».</p>	<p>Normal Chaud Froid Utilisateur</p>
<p><b>Paramètres Avancés</b></p>	
<p><b>Rapport hauteur / largeur</b> Permet à l'utilisateur de changer la taille d'une image pour maximiser l'espace de l'écran. Remarque: Toutes les sources n'offrent pas forcément les options de préréglage.</p>	<p>16:9 / Large / Zoom / Cinéma / 1:1 / 4:3</p>
<p><b>Réduction du bruit</b></p>	<p>(pour usage futur)</p>
<p><b>Contraste dynamique</b></p>	<p>(pour usage futur)</p>
<p><b>Gamme de couleurs</b> Permet à l'utilisateur de régler le chromatisme manuellement ou automatiquement.</p>	<p>Auto 0 - 255 16 - 235</p>
<p><b>Gamma</b> Permet à l'utilisateur de régler différents niveaux de transition des images sombres aux images claires sur l'écran.</p>	<p>1 / 2 / 3 / 4 / 5</p>
<p><b>Mode RGB Seul</b> Lorsqu'elle est utilisée, cette fonction illumine seulement les pixels colorés choisis ; si elle est utilisée avec un schéma de barres de couleur SMPTE, l'utilisateur peut ajuster la précision de la couleur de l'écran. (Remarque : cette fonctionnalité doit être utilisée avec un signal de contenu ; sans signal de contenu, il est normal d'obtenir une image démultipliée.)</p>	<p>Arrêt / Rouge / Vert / Bleu</p>



Navigation



Enregistrer



Sortie

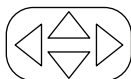


Retour

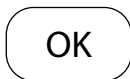


### Audio

<b>Mode son</b> Permet à l'utilisateur de personnaliser la fréquence de sortie des aigus et des graves de la prise casque analogique. Remarque: Ces réglages n'affectent pas la sortie TOSLink (audio numérique).	Standard Musique Film Utilisateur
<b>Équilibre</b> Modifie la sortie haut-parleur gauche et droit. Remarque : Ces réglages n'affectent pas la sortie TOSLink (audio numérique).	Défaut = 0 (Centré)
<b>Sortie audio numérique</b> Règle la sortie du port TOSLink.	Arrêt / PCM / Raw
<b>Son ambiophonique</b> Applique le mode DSP à la sortie Audio pour simuler un plateau audio plus large.	Marche / Arrêt
<b>AVL</b> Permet à l'utilisateur d'appliquer la stabilisation automatique du volume pour maintenir un niveau sonore plus constant quel que soit la chaîne ou le programme regardé.	Marche / Arrêt



Navigation



Enregistrer



Sortie

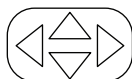


Retour

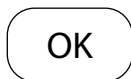


## Heure

<p><b>Minuteur de mise en veille</b> Permet à l'utilisateur de régler une heure prédéterminée pour que l'écran s'éteigne.</p>	<table> <tr> <td>Arrêt</td> <td>60 min</td> </tr> <tr> <td>5 min</td> <td>90 min</td> </tr> <tr> <td>10 min</td> <td>120 min</td> </tr> <tr> <td>15 min</td> <td>180 min</td> </tr> <tr> <td>30 min</td> <td>240 min</td> </tr> </table>	Arrêt	60 min	5 min	90 min	10 min	120 min	15 min	180 min	30 min	240 min
Arrêt	60 min										
5 min	90 min										
10 min	120 min										
15 min	180 min										
30 min	240 min										
<p><b>Heure d'été</b> Permet à l'utilisateur de programmer la télé pour le passage à l'heure d'été.</p>	<p>Marche / Arrêt</p>										
<p><b>Format de l'heure</b> Permet à l'utilisateur de choisir le format horaire selon le cas d'utilisation.</p>	<p>12 heures / 24 heures</p>										
<p><b>Horloge</b> Permet à l'écran d'afficher l'heure exacte pour la programmation. L'heure peut être réglée manuellement.</p>	<p>Année (Définie par l'utilisateur) Mois: 1 - 12 Jour: 1 - 31 Heure : 12am - 11pm Minutes: 0 - 60</p>										
<p><b>Programme d'alimentation 1</b> Permet à l'utilisateur de programmer une fréquence, une heure, et une date spécifiques, pour l'allumage et l'extinction automatique de l'écran.</p>	<p>Arrêt / Une fois / Chaque jour / Lun - Ven / Lun - Sam / Chaque année</p>										
<p><b>Programme d'alimentation 2</b> Permet à l'utilisateur de choisir un programme d'alimentation complémentaire au programme d'alimentation 1.</p>	<p>Arrêt / Une fois / Chaque jour / Sam - Dimanche / Dimanche / Chaque année</p>										



Navigation



Enregistrer



Sortie



Retour

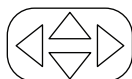




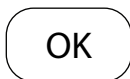
## Réglages

### Rétroéclairage

<p><b>Mode ECO</b></p> <p>Permet à l'utilisateur d'utiliser un préréglage programmable, un préréglage personnalisé, un capteur de lumière ambiante, ou un programme personnalisé de rétroéclairage pour la luminosité d'ensemble de l'écran.</p>	<p>Min. / Moyen / Max. / ALS / Rétroéclairage personnel / Programme personnalisé</p>
<p><b>Rétroéclairage personnel</b></p> <p>Permet à l'utilisateur de choisir n'importe quel niveau de rétroéclairage lorsqu'il utilise le Mode ECO « personnel ».</p>	<p>0 - 100</p>
<p><b>Programme personnalisé</b></p> <p>Permet à l'utilisateur de choisir ses propres niveaux de rétroéclairage. L'utilisateur peut choisir deux niveaux de rétroéclairage et programmer leur mise en route en fonction de l'heure de la journée.</p>	<p>Programme personnalisé 1 &amp; 2: 0 ~ 100 Intensité du rétroéclairage Heure de la journée pour les changements de programme</p>
<h3>Rafraichissement de Pixel</h3>	
<p><b>Rafraichissement de Pixel</b></p> <p>Permet à l'utilisateur de programmer le rafraichissement de pixel pour éviter la rétention d'image lors de l'utilisation d'images statiques.</p>	<p>Marche / Arrêt</p>
<p><b>Gamme horizontale</b></p> <p>Permet à l'utilisateur de programmer le nombre de pixels que l'image rafraichira horizontalement.</p>	<p>2 / 4 / 6 / 8 / 10</p>
<p><b>Gamme verticale</b></p> <p>Permet à l'utilisateur de programmer le nombre de pixels que l'image rafraichira verticalement.</p>	<p>2 / 4 / 6 / 8 / 10</p>
<p><b>Fréquence</b></p> <p>Permet à l'utilisateur de déterminer à quelle fréquence le rafraichissement de pixel a lieu.</p>	<p>1 min / 2 min / 5 min / 10 min / 30 min</p>



Navigation



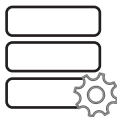
Enregistrer



Sortie

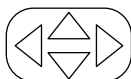


Retour

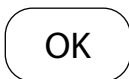


## Réglages

<b>Information réseau</b> Permet à l'utilisateur d'avoir une mesure visuelle de l'information IP attribuée à l'écran. L'affichage par défaut est DHCP (l'information IP peut être consultée sur la page internet).	(Information seule)
<b>Information détecteur</b> Permet à l'utilisateur d'avoir une mesure visuelle des détecteurs avec l'écran qui sont utilisés pour surveiller la santé du système (l'information sur le détecteur peut être consultée sur la page internet).	(Information seule)
<b>Assistance technique Peerless-AV</b> Permet à l'utilisateur de voir le numéro du modèle, le numéro de série, et la révision du micrologiciel.	(Information seule)
<b>Restaurer les paramètres d'usine par défaut</b> Permet à l'utilisateur de programmer l'écran sur les paramètres d'usine par défaut.	Oui / Non
<b>peerConnect</b> Permet à l'utilisateur de programmer l'écran pour qu'il réagisse au CEC (Consumer Electronic Control, Contrôle électronique grand public) pour faciliter la navigation lors de l'utilisation d'une source conforme aux normes du CEC.	Marche / Fermer
<b>Auto Source Switching (Commutation automatique de source)</b>	
<b>Auto Source Switching (Commutation automatique de source)</b> Permet à l'utilisateur de programmer l'écran pour qu'il recherche un signal de contenu si le signal de la source principale s'arrête.	Marche / Arrêt
<b>Récupération de source prioritaire</b> Permet à l'utilisateur de faire en sorte que l'écran recherche une entrée spécifique définie par "primaire" et "secondaire"; Si la source primaire est enlevée, la priorité devient ce qui est choisi comme « secondaire ».	Marche / Arrêt
<b>Source primaire</b> Permet à l'utilisateur d'indiquer la principale source d'entrée.	AV / DP / HDMI 1 / HDMI 2 / Media USB
<b>Source secondaire</b> Permet à l'utilisateur de programmer la source prioritaire secondaire au cas où le contenu s'arrête sur l'entrée de la source primaire.	AV / DP / HDMI 1 / HDMI 2 / Media USB
<b>Mise à jour logicielle</b> Permet à l'utilisateur de générer une mise à jour de logiciel par le port média USB le cas échéant.	Oui / Non



Navigation



Enregistrer



Sortie

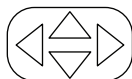


Retour

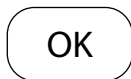


### Verrouillage

<b>Saisir le mot de passe</b>	Code PIN par défaut = 0000
<b>Créer le mot de passe</b> Permet à l'utilisateur de changer le code PIN par sécurité.	(Défini par l'utilisateur) Combinaison numérique à 4 chiffres
<b>Verrou de sécurité enclenché</b> Permet à l'utilisateur de programmer le bouton Marche/Arrêt externe par une commande fixe.	Marche seulement Bascule Marche/Arrêt Verrouillage du bouton
<b>Lancement automatique USB</b> Permet à l'utilisateur de programmer l'USB comme source prioritaire lorsque l'appareil est allumé.	Arrêt / Film / Photos
<b>Verrouillage du système</b> Permet à l'utilisateur de verrouiller les réglages personnalisés pour les contenus autorisés	Marche / Arrêt
<b>Verrouillage des entrées</b> Permet à l'utilisateur de bloquer n'importe quelle ou toute entrée ; Le code PIN est requis si ces entrées sont rappelées.	Bloquer / Débloquer



Navigation



Enregistrer



Sortie



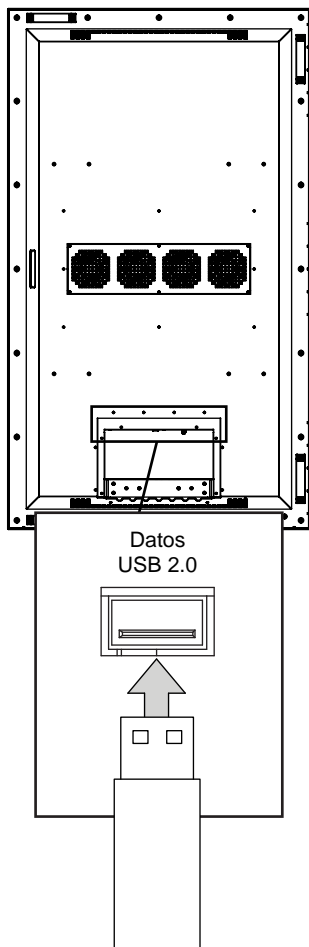
Retour



## Fonctionnalité USB

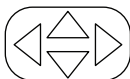
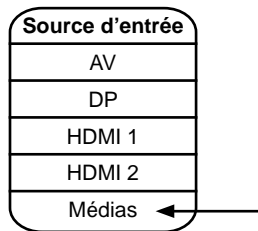
1

Insérez la clé USB dans le port de données USB 2.0 sur le panneau d'entrée de l'écran.



2

Sélectionnez une source de média pour accéder au contenu.



Navigation

OK

Enregistrer

EXIT

Sortie

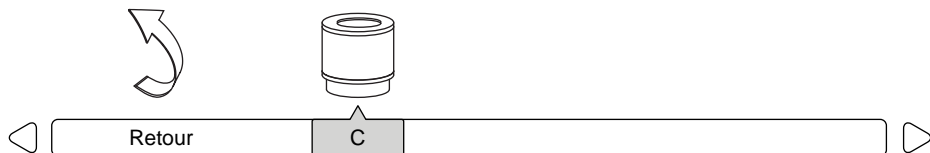
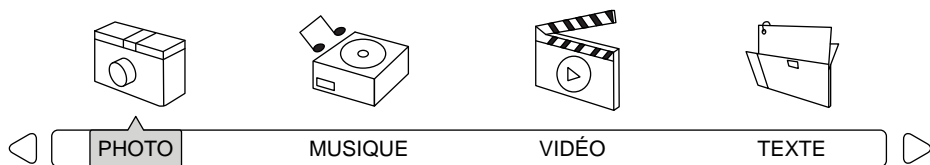
MENU

Retour

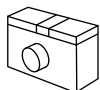
## Fonctionnalité USB

### 3

Sélectionnez le type de support et le dossier dans lequel le contenu est stocké.



### 4



**Photos** - Pour visualiser une seule photo, sélectionnez une photo et appuyez sur lecture (« play »). Pour visualiser un diaporama, sélectionnez plusieurs photos et appuyez sur lecture (« play »). Utilisez le menu à l'écran pour contrôler le diaporama.



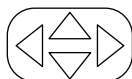
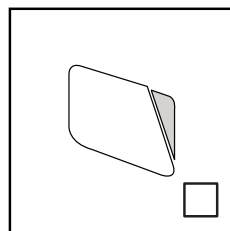
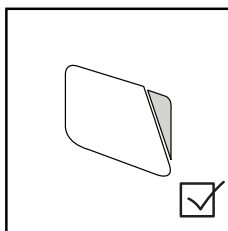
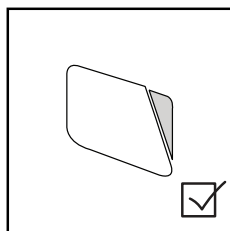
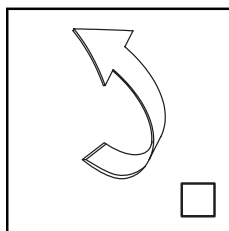
**Musique** - Pour écouter une seule chanson, sélectionnez une chanson et appuyez sur lecture (« play »). Pour écouter une liste de lecture, sélectionnez plusieurs chansons et appuyez sur lecture (« play »).



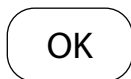
**Vidéos** - Pour visionner une seule vidéo, sélectionnez une vidéo et appuyez sur lecture (« play »). Pour afficher une liste de lecture, sélectionnez plusieurs vidéos et appuyez sur lecture (« play »).



**Texte** - Pour afficher un seul fichier texte, sélectionnez un fichier et appuyez sur lecture (« play »). Pour afficher une liste de lecture, sélectionnez plusieurs fichiers et appuyez sur lecture (« play »).



Navigation



Enregistrer



Sortie



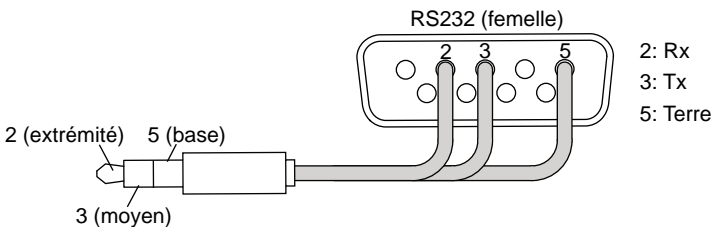
Masquer le menu

## (RS-232C) Contrôle en série de l'écran

Raccordez un câble RS-232C (de type droit) au D-Sub RS-232C fourni pour utiliser la fonction de contrôle série. La commande par RS232 ne doit être utilisée que par des experts familiers avec la programmation RS232.

(0):	A0, F0, 55, FF, 56, A9	Gauche:	A0, F0, 55, FF, 0C, F3
(1):	A0, F0, 55, FF, 42, BD	Menu:	A0, F0, 55, FF, 4E, B1
(2):	A0, F0, 55, FF, 43, BC	Muet:	A0, F0, 55, FF, 14, EB
(3):	A0, F0, 55, FF, 0F, F0	OK:	A0, F0, 55, FF, 02, FD
(4):	A0, F0, 55, FF, 1E, E1	PMode:	A0, F0, 55, FF, 4B, B4
(5):	A0, F0, 55, FF, 1D, E2	Éteint:	A0, F0, 55, FF, AD, 52
(6):	A0, F0, 55, FF, 1C, E3	Allumé:	A0, F0, 55, FF, AE, 51
(7):	A0, F0, 55, FF, 18, E7	Allumé/Éteint:	A0, F0, 55, FF, 0B, F4
(8):	A0, F0, 55, FF, 45, BA	Droit:	A0, F0, 55, FF, 05, FA
(9):	A0, F0, 55, FF, 4C, B3	Veille:	A0, F0, 55, FF, 53, AC
AV:	A0, F0, 55, FF, ED, 12	SMODE:	A0, F0, 55, FF, 5B, A4
DisplayPort:	A0, F0, 55, FF, E4, 1B	Source:	A0, F0, 55, FF, 01, FE
Bas:	A0, F0, 55, FF, 0D, F2	Ambiophonique:	A0, F0, 55, FF, C7, 38
Sortie:	A0, F0, 55, FF, 1B, E4	Haut:	A0, F0, 55, FF, 17, E8
HDMI 1:	A0, F0, 55, FF, DE, 21	USB:	A0, F0, 55, FF, 57, A8
HDMI 2:	A0, F0, 55, FF, DF, 20	Volume +:	A0, F0, 55, FF, 0A, F5
Bouton à bascule HDMI:	A0, F0, 55, FF, EC, 13	Volume -:	A0, F0, 55, FF, 40, BF
Info:	A0, F0, 55, FF, 50, AF	Zoom:	A0, F0, 55, FF, 51, AE

Réglages COM	
Débit en bauds	38400
Bits de données	8
Parité	Aucun
Bits d'arrêt	1



## Entretien de l'écran

---

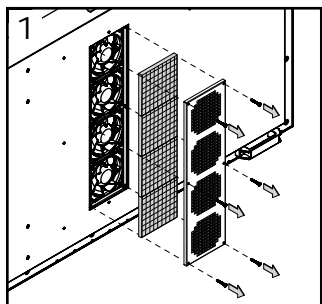
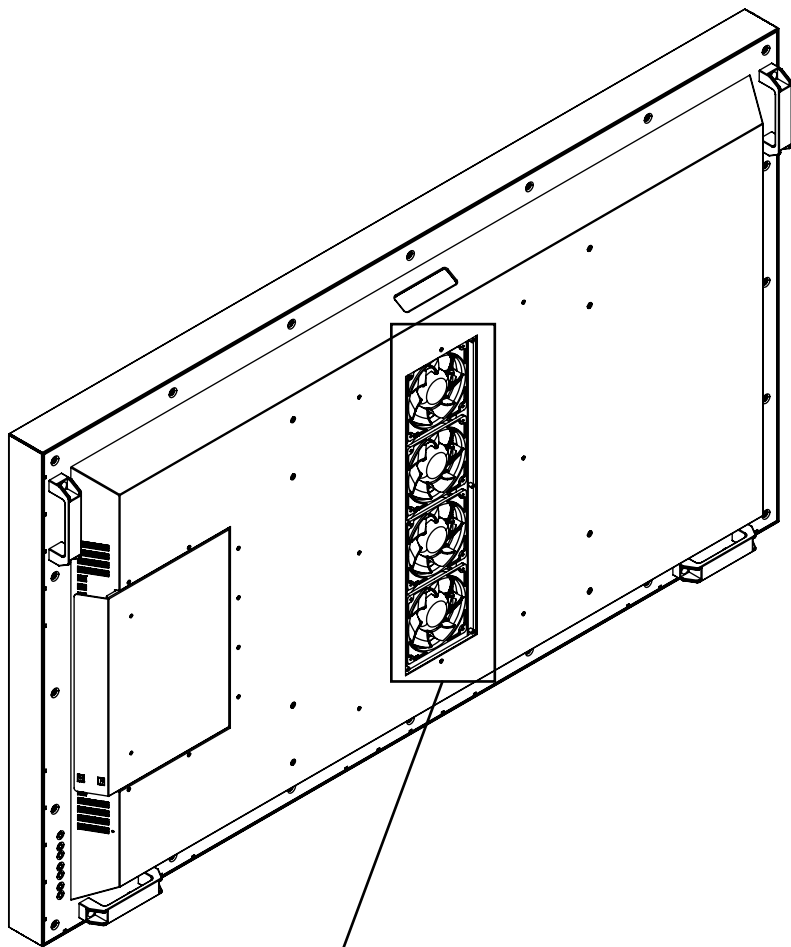
Évitez de frotter ou de frapper l'écran avec un objet dur, car cela pourrait rayer, marquer ou même endommager l'écran de façon permanente. Assurez-vous que l'écran est installé dans un endroit où il sera à l'abri des abrasifs et des débris volants, ce qui pourrait endommager le panneau ACL. N'utilisez jamais d'ammoniaque ni de produit contenant de l'ammoniaque, car cela endommagerait le revêtement antireflet à la surface de l'écran. Utilisez uniquement un nettoyeur d'écran approuvé pour nettoyer la surface de l'écran. Débranchez le câble d'alimentation avant de nettoyer l'écran. Dépoussiérez l'appareil en essuyant l'écran et le boîtier avec un chiffon doux et propre. Si l'écran nécessite un nettoyage supplémentaire, utilisez un chiffon propre et humide. N'utilisez pas de nettoyeurs en aérosol, ni de solvants d'aucune sorte. N'utilisez pas de produits chimiques comme du diluant ou du benzène pour nettoyer l'extérieur du produit. Ceux-ci peuvent égratigner la surface et effacer les indications, les étiquettes d'identification ou le mode d'emploi figurant sur l'extérieur, ce qui peut entraîner une mauvaise utilisation et un mauvais fonctionnement du produit.

## Directives relatives à la fin de vie

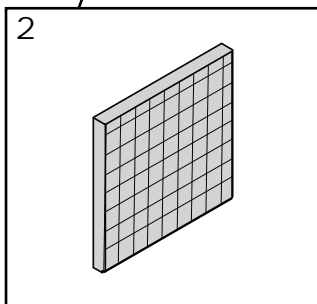
---

Dans le but de fabriquer des produits respectueux de l'environnement, votre nouvel écran contient des matériaux qui peuvent être recyclés et réutilisés. À la fin de la durée de vie de votre écran, des entreprises spécialisées peuvent minimiser le gaspillage en séparant les matériaux réutilisables des matériaux non réutilisables. Veuillez vous assurer de vous débarrasser de votre écran conformément à la réglementation locale.

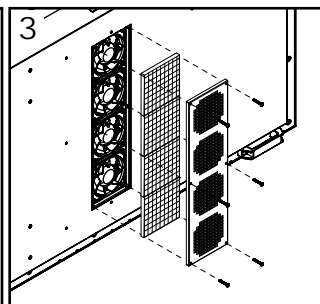
## Nettoyer le filtre du ventilateur



1 Enlevez le couvercle.



2 Rincez le filtre du ventilateur à l'eau courante jusqu'à ce qu'il soit propre.



3 Remplacez le filtre, puis le couvercle.

**FRN** Cette page a été laissée en blanc intentionnellement.

**FRN** Cette page a été laissée en blanc intentionnellement.

ENG	Warranty	ESP	Garantía	FRN	Garantie	DEU	Garantie	NEL	Garantie
ITL	Garanzia	ČES	Záruka	SLK	Záruka	POR	Garantia	TUR	Garanti

[www.peerless-av.com/warranty](http://www.peerless-av.com/warranty)

**peerless-AV<sup>®</sup>**

**Peerless-AV**

2300 White Oak Circle  
Aurora, IL 60502  
Email: [tech@peerlessmounts.com](mailto:tech@peerlessmounts.com)  
Ph: (800) 865-2112  
Fax: (800) 359-6500  
[www.peerless-av.com](http://www.peerless-av.com)

© 2022, Peerless Industries, Inc.

**Peerless-AV Europe**

Unit 3 Watford Interchange,  
Colonial Way, Watford, Herts,  
WD24 4WP, United Kingdom  
Customer Care  
44 (0) 1923 200 100  
[www.peerless-av.com](http://www.peerless-av.com)

© 2022, Peerless Industries, Inc.

**Peerless-AV América Latina**

Av. de las Industrias 413  
Parque Industrial Escobedo  
General Escobedo N.L., México 66062  
Servicio al Cliente  
01-800-849-65-77  
[www.peerless-av.com](http://www.peerless-av.com)

© 2022, Peerless Industries, Inc.